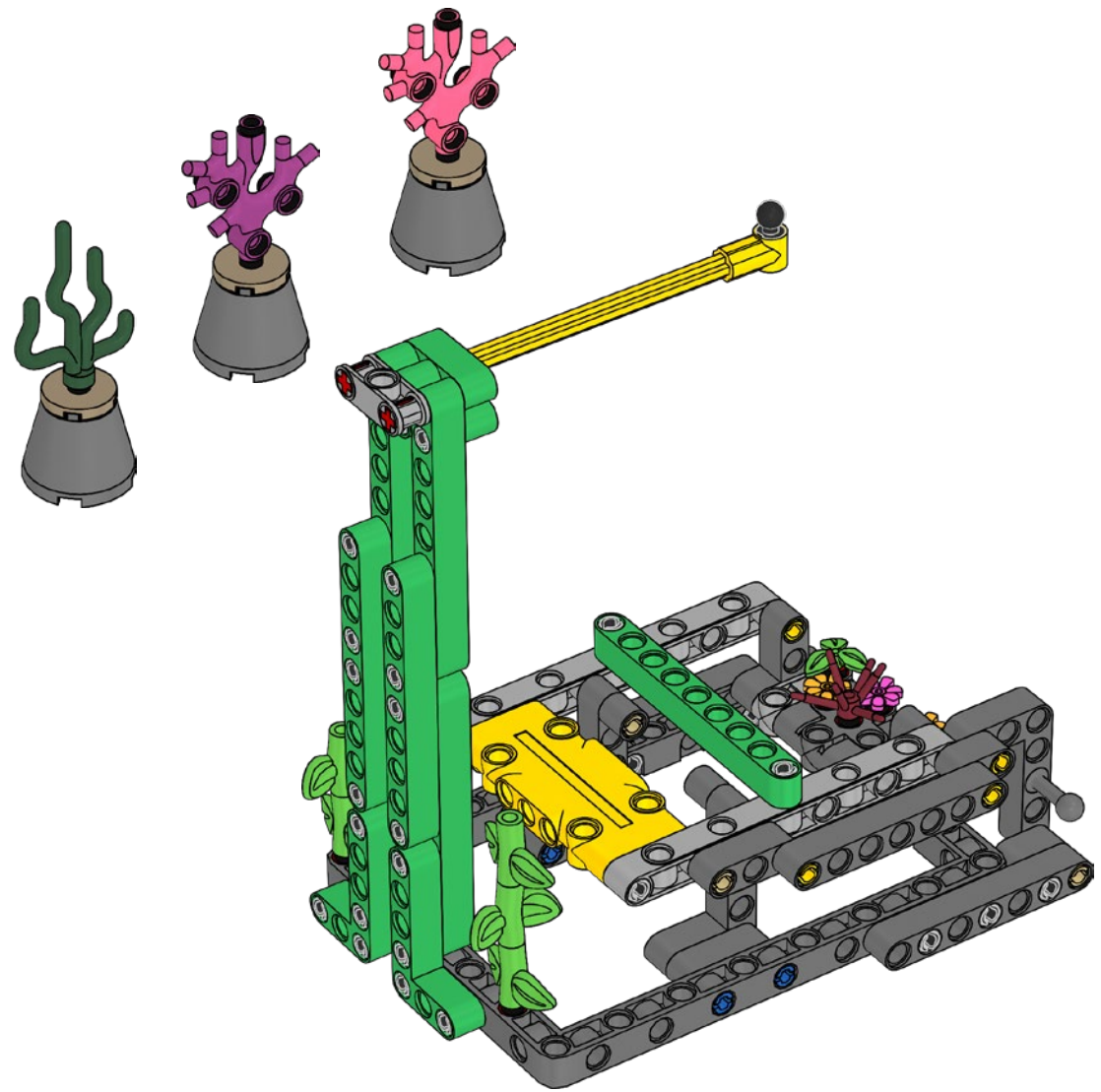
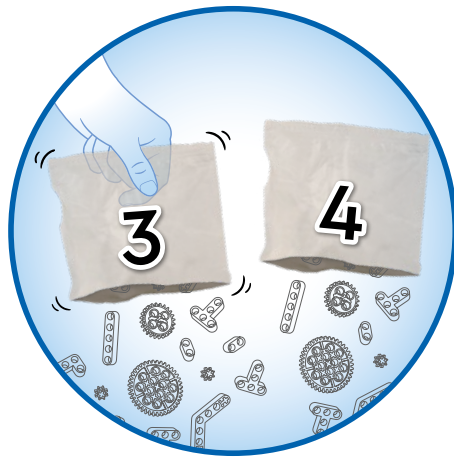
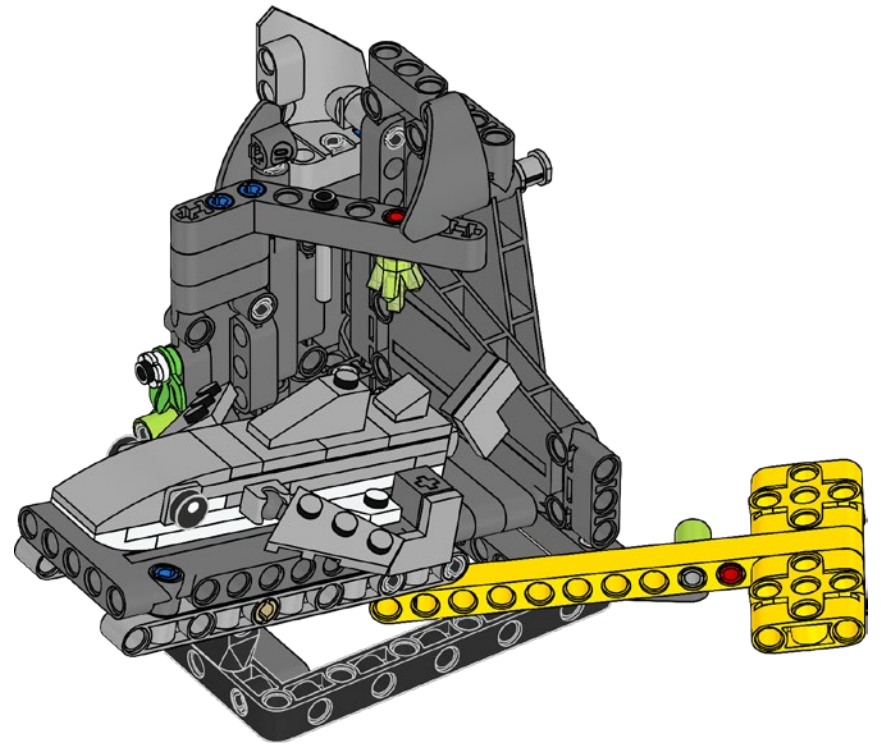
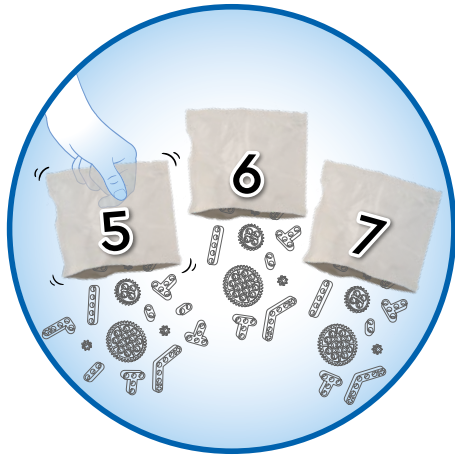
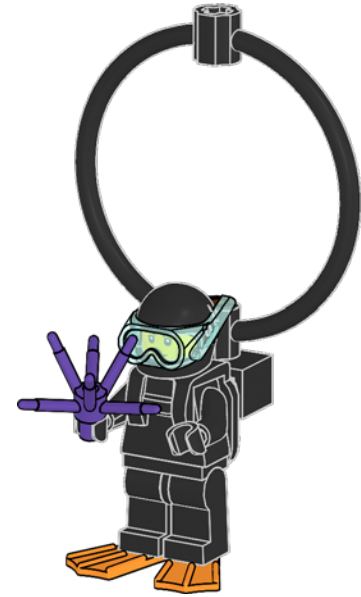


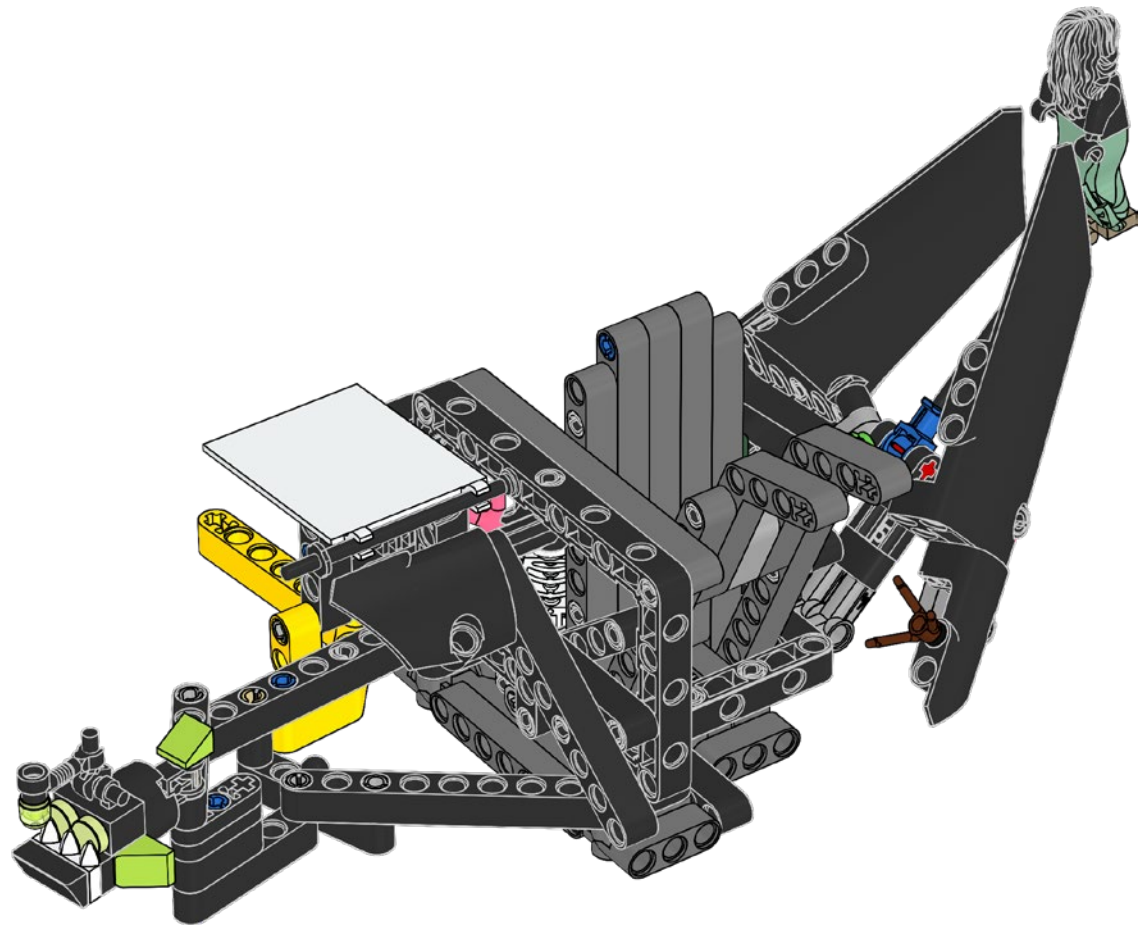
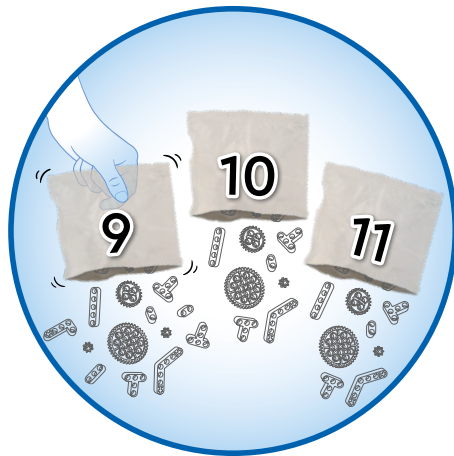
45826

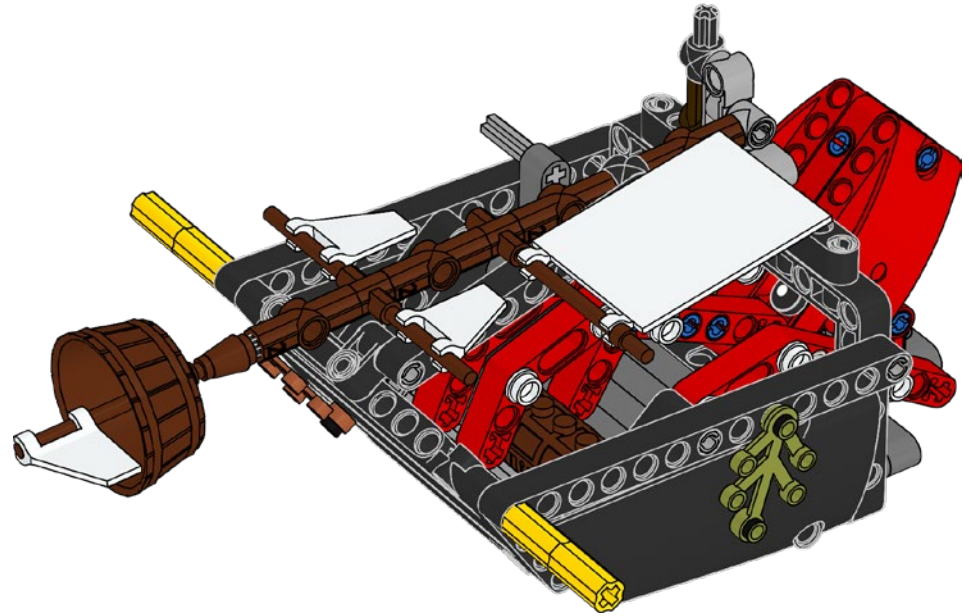
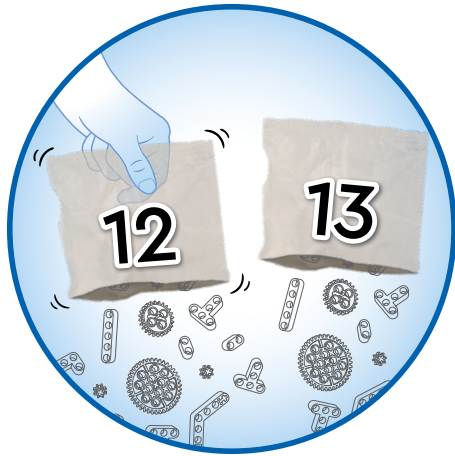


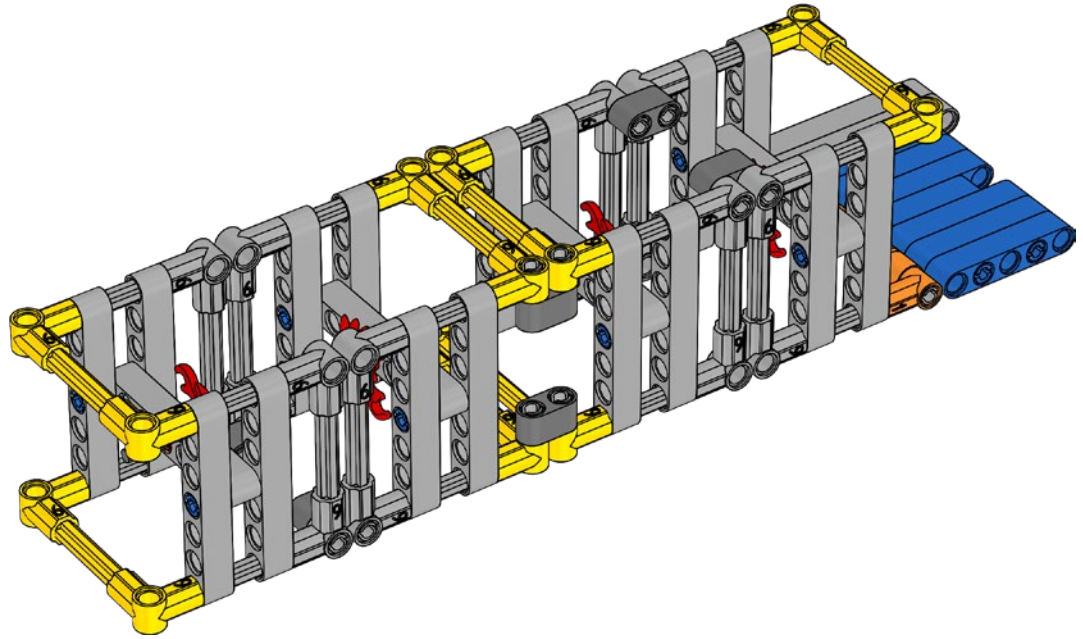
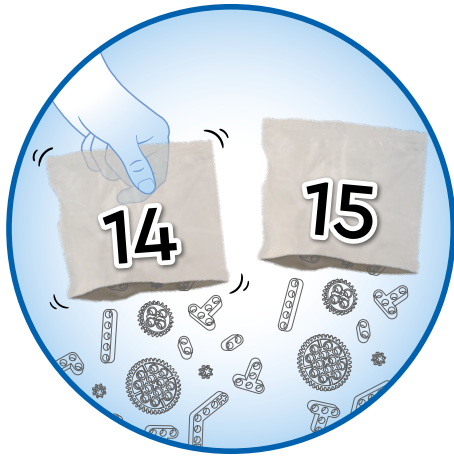


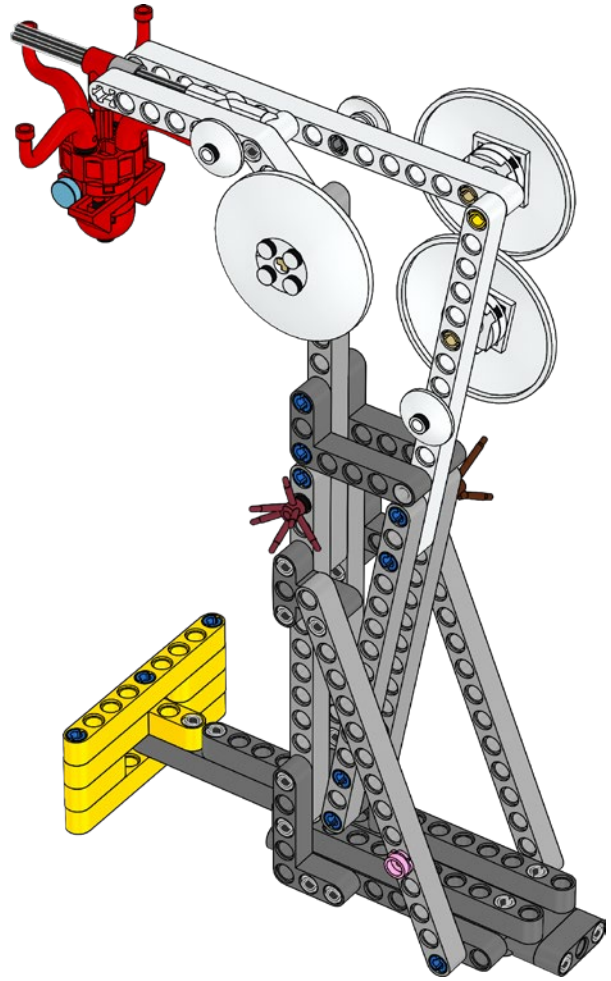
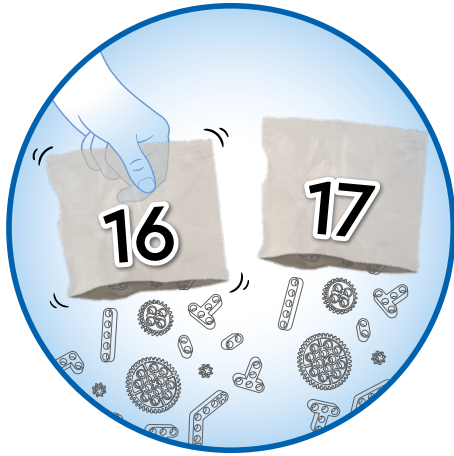


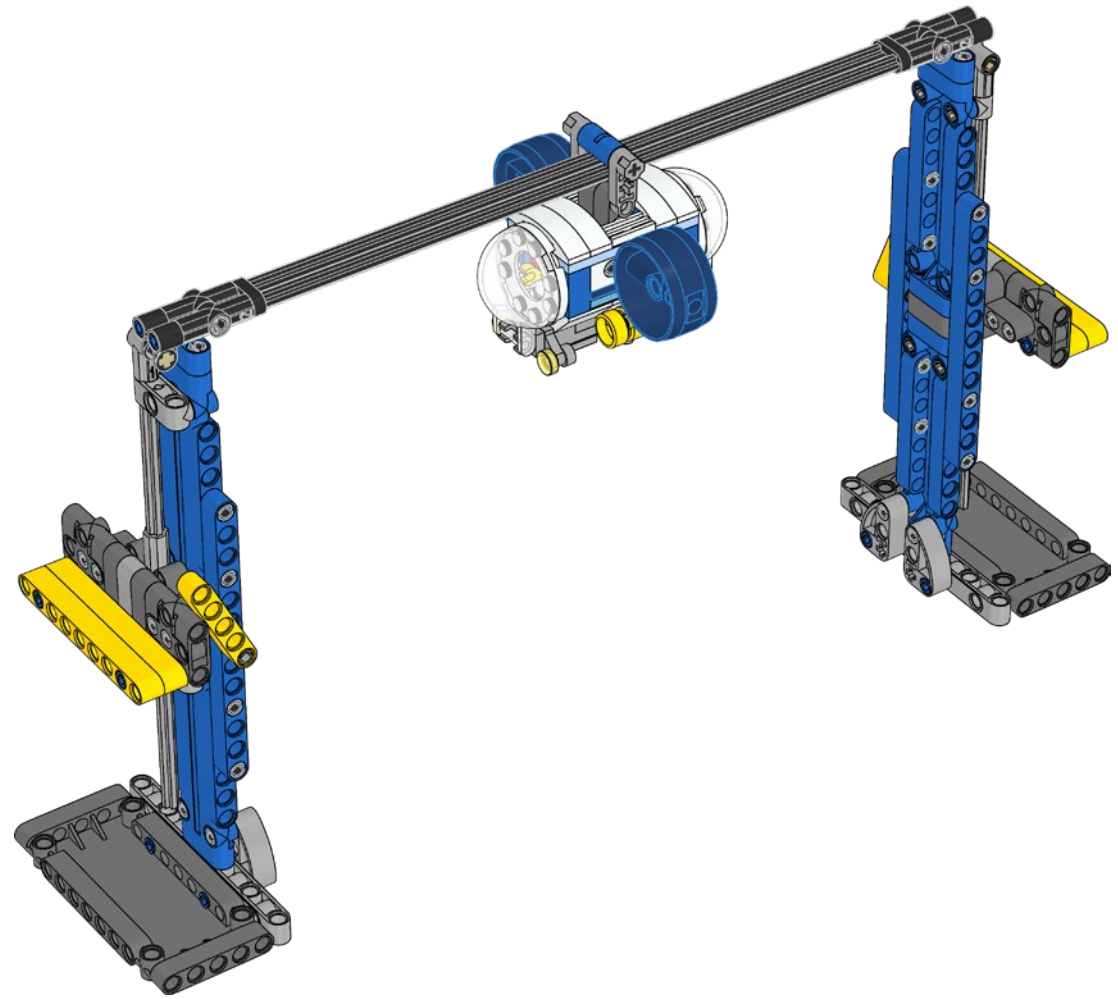
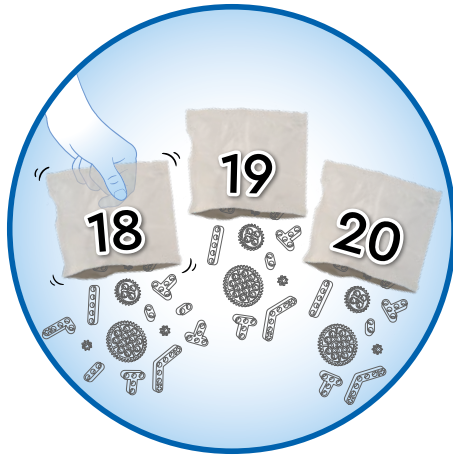




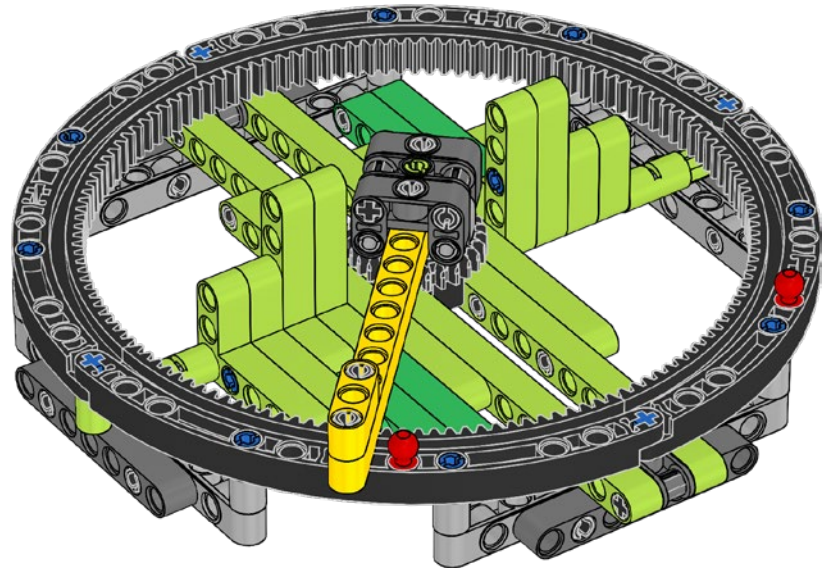
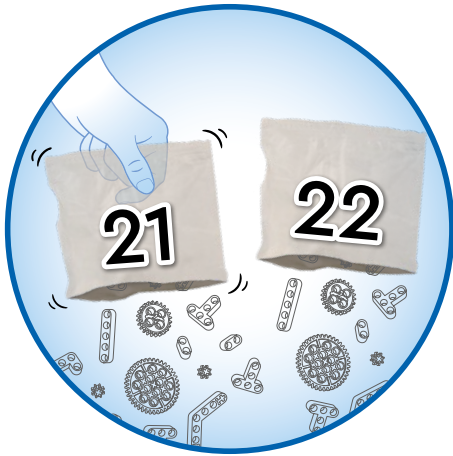




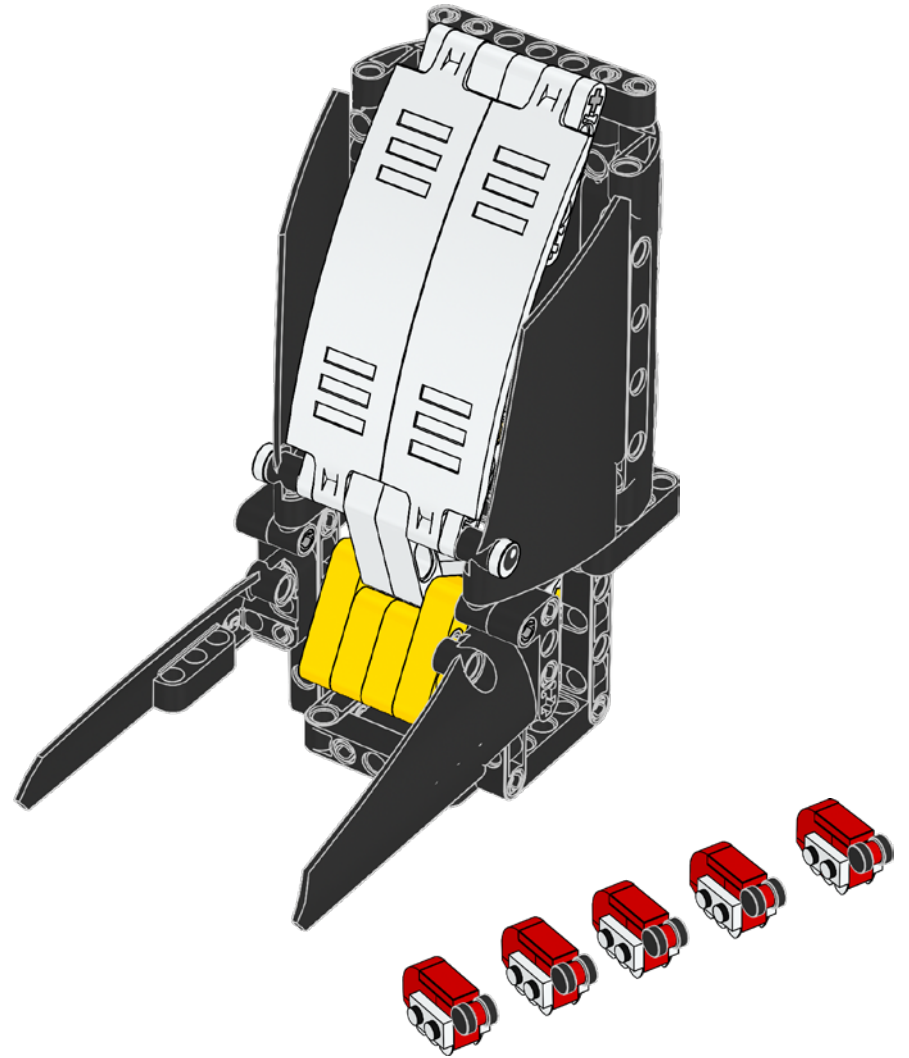
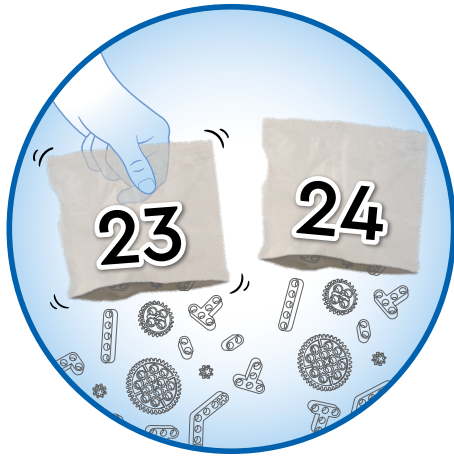


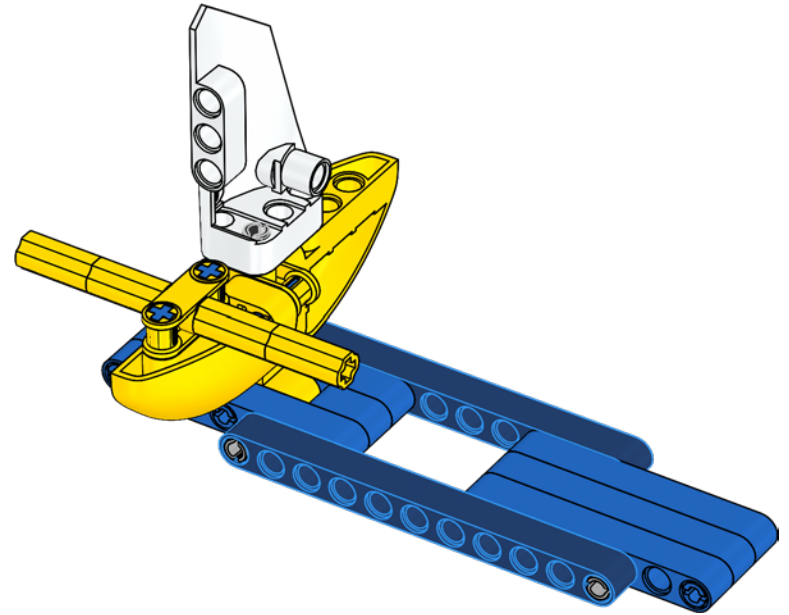


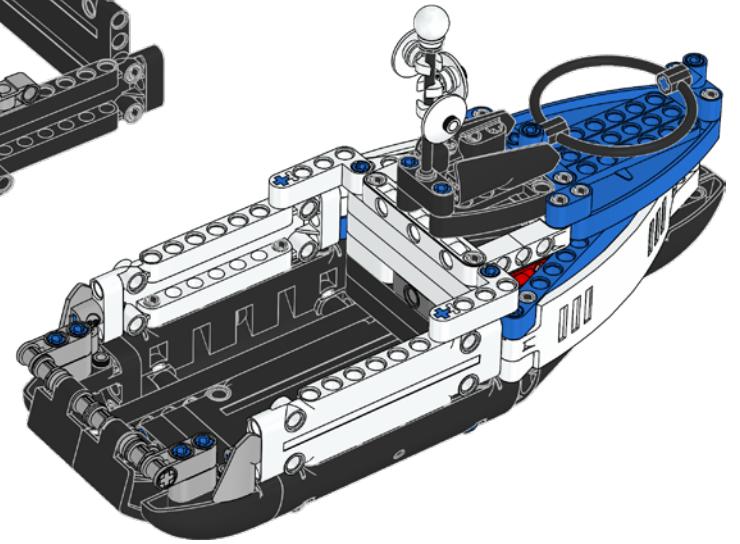
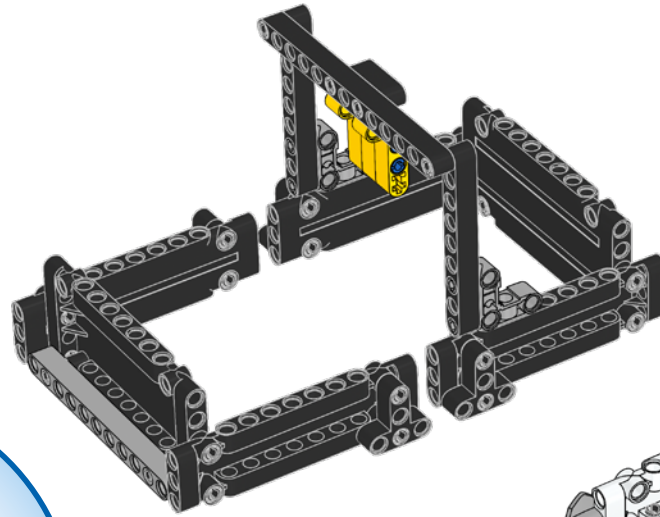
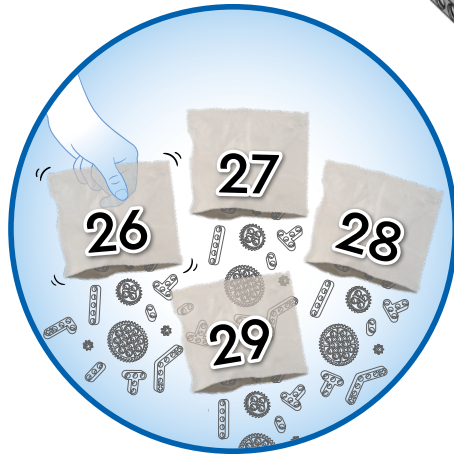


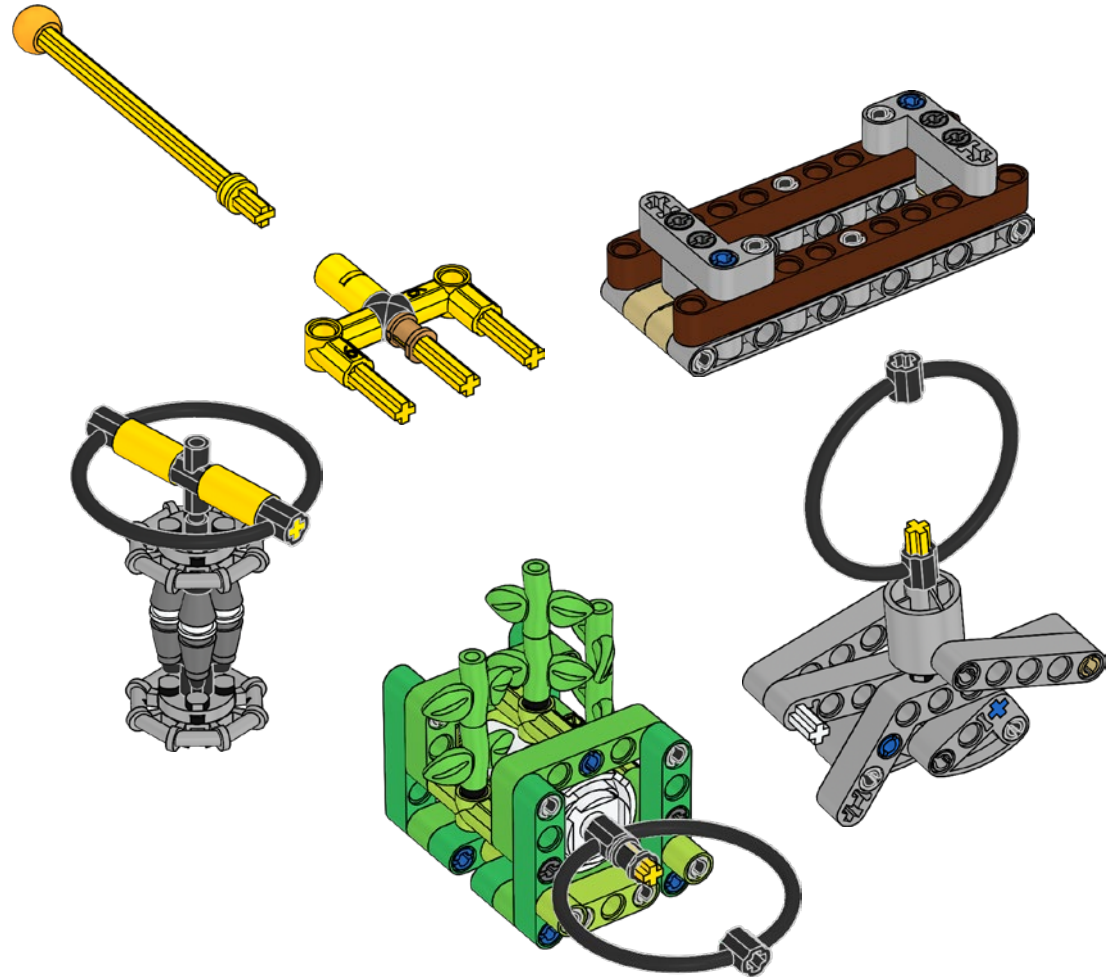
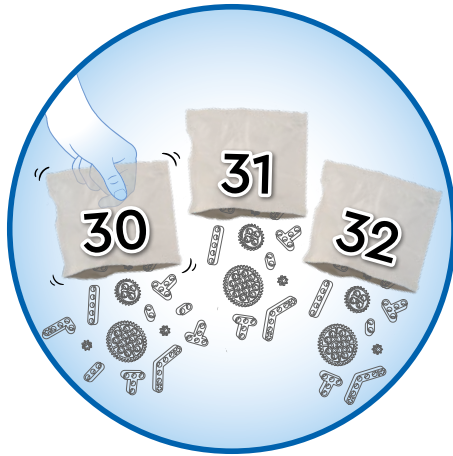


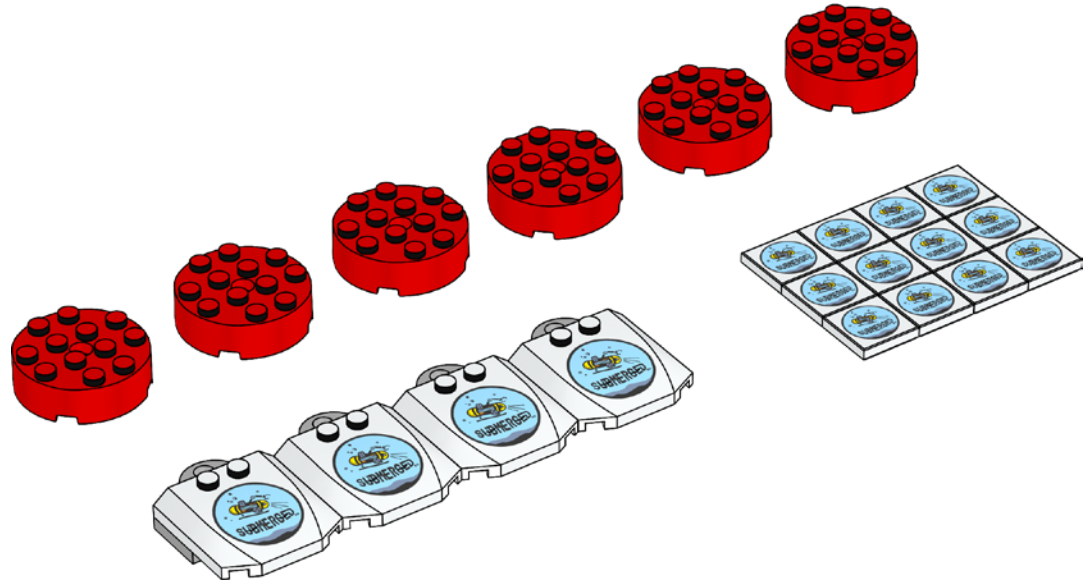












LEGO and the LEGO logo are trademarks of the/sont des marques de commerce du/son marcas registradas de LEGO Group.  
©2024 The LEGO Group.

FIRST® is a trademark of For Inspiration and Recognition of Science and Technology (FIRST). LEGO® is a trademark of the LEGO Group.  
FIRST® LEGO® League and SUBMERGED® are jointly held trademarks of FIRST and the LEGO Group.

©2024 FIRST and the LEGO Group. All rights reserved.