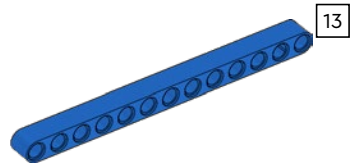
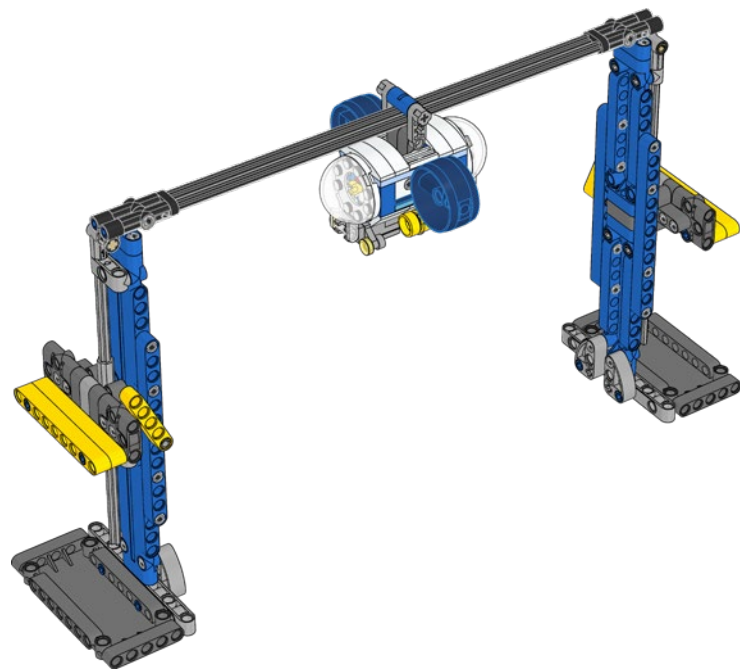
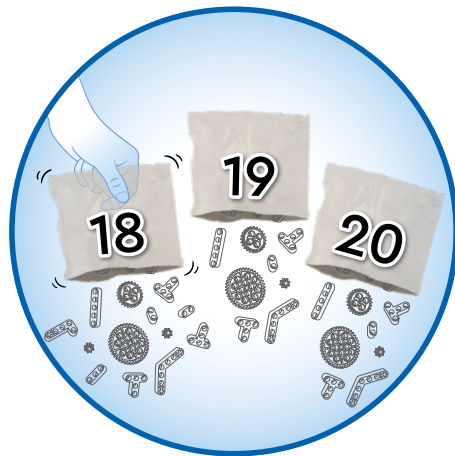


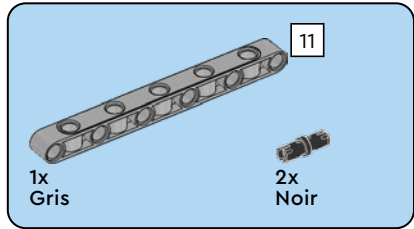
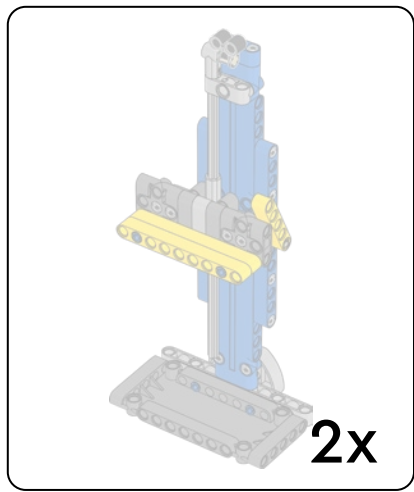
2x
Noir



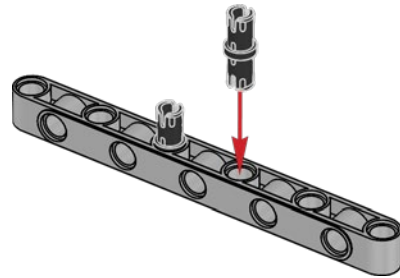
4x
Bleu

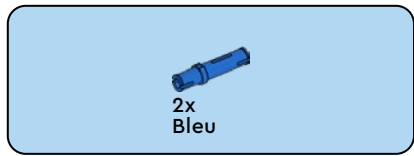


45826

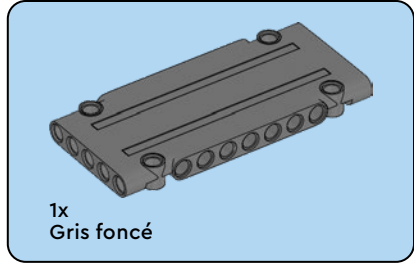
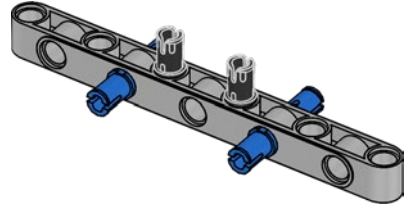


1

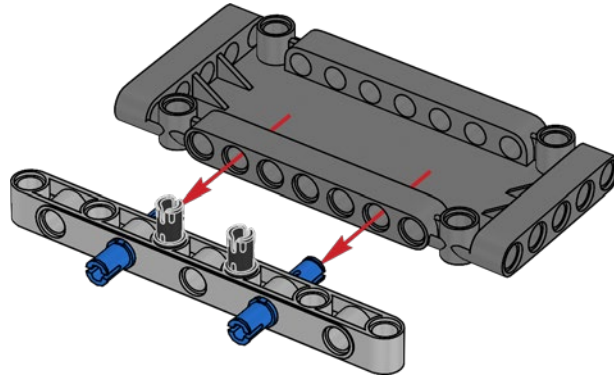


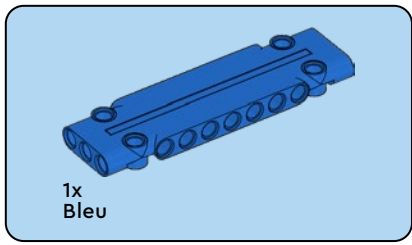


2

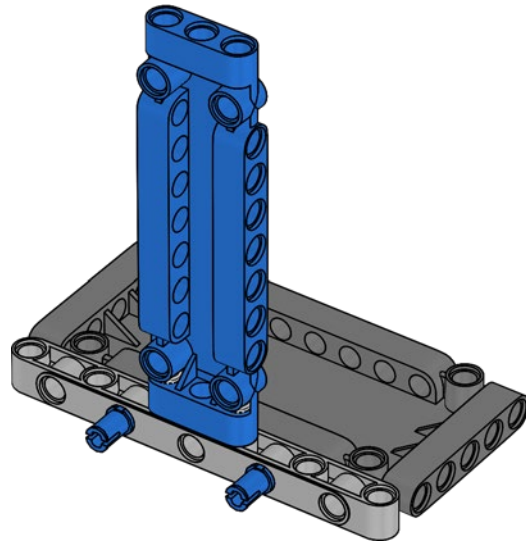


3

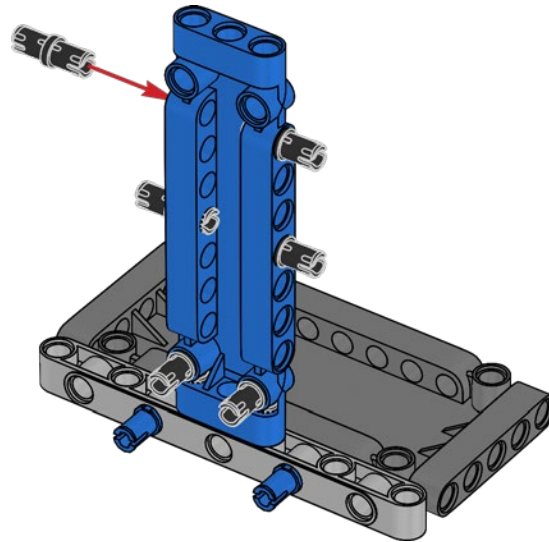




4



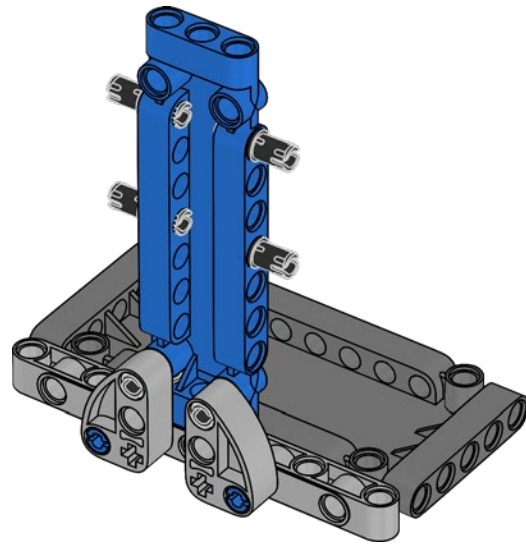
5





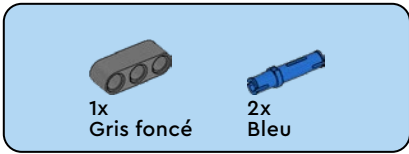
2x
Gris

6

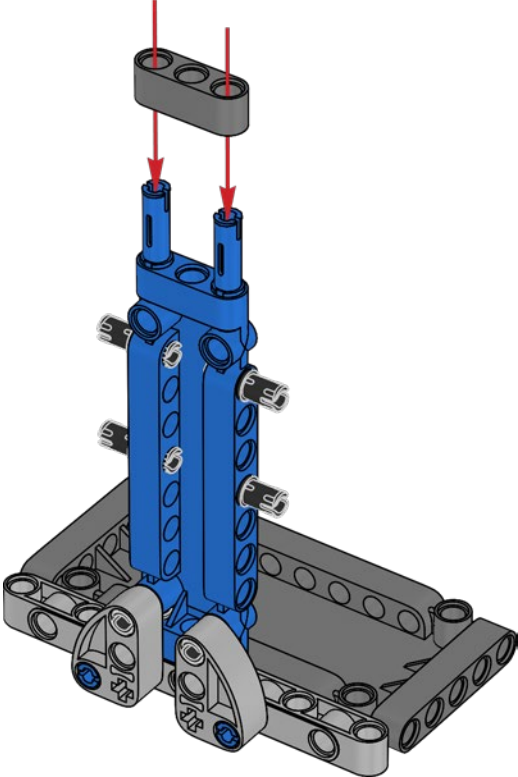


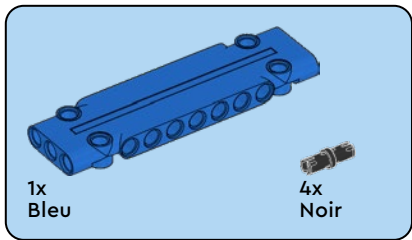
1x
Gris foncé

2x
Bleu

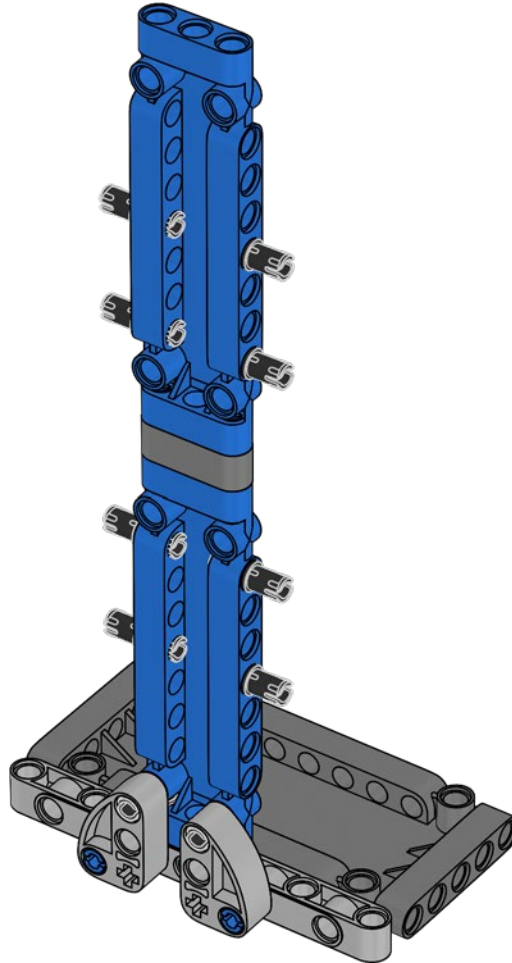


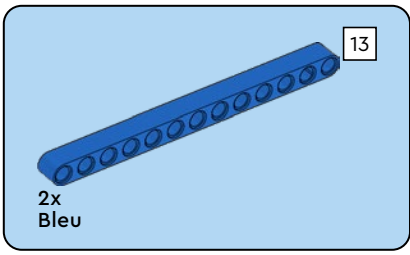
7



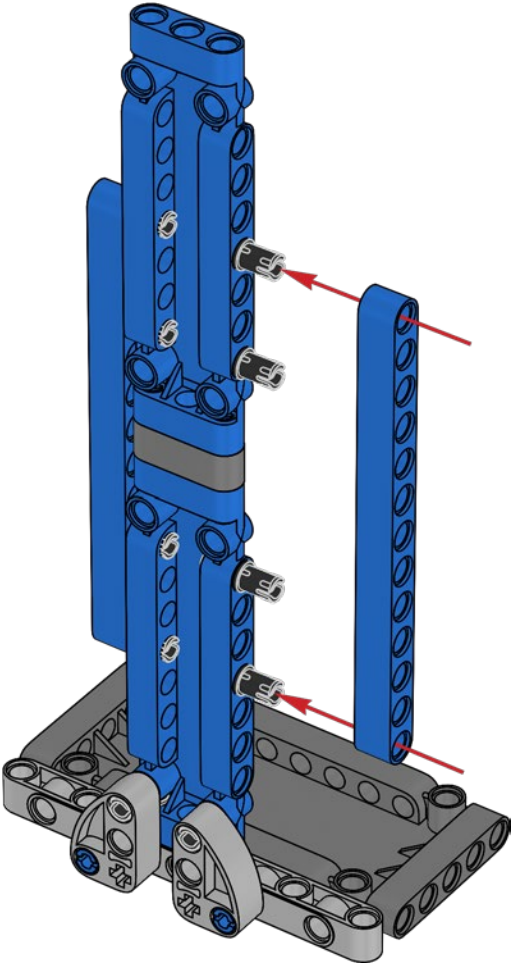


8

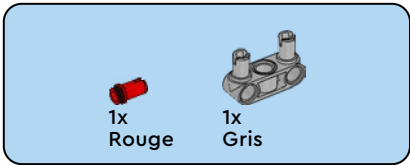




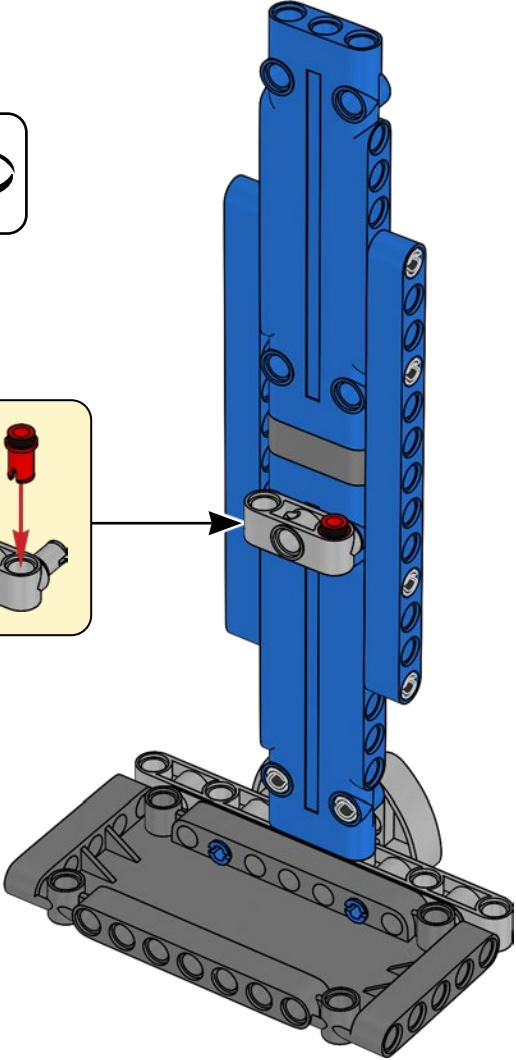
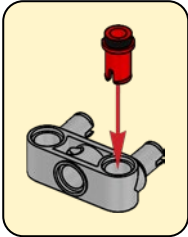
9



1x Rouge
1x Gris

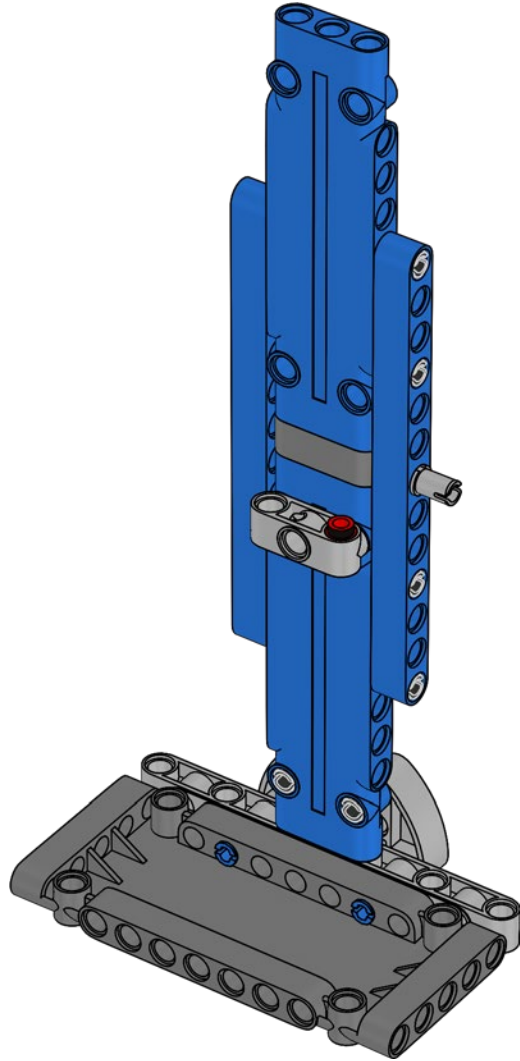


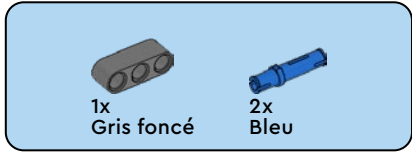
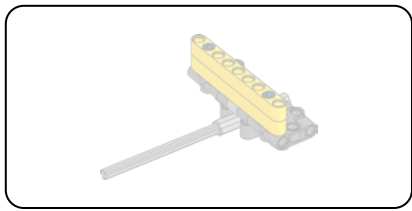
10



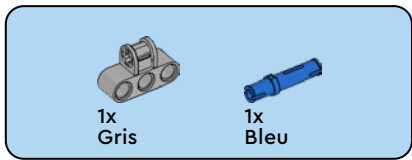
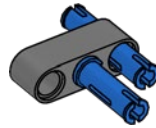
1x
Gris

11

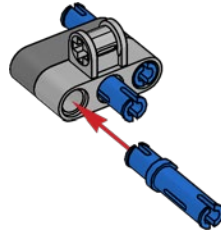




12

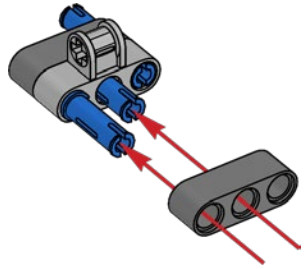


13

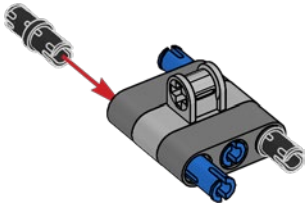




14

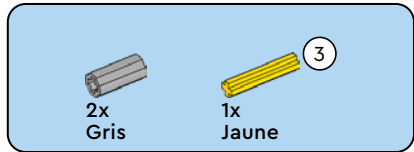
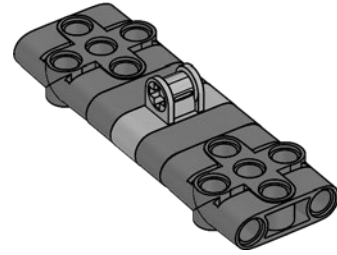


15

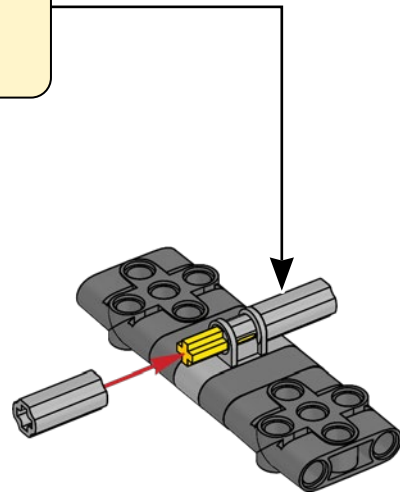
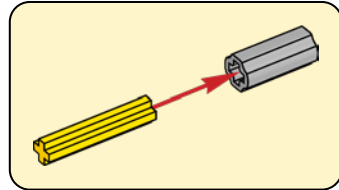




16

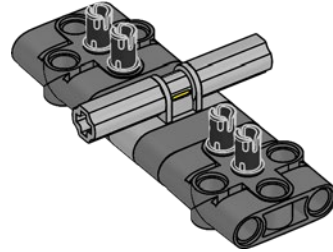


17



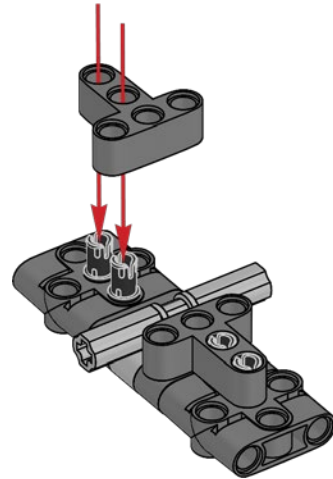
4x
Noir

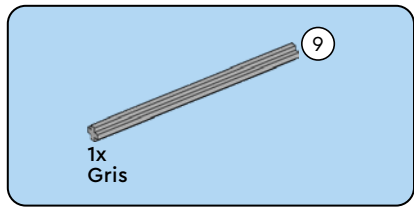
18



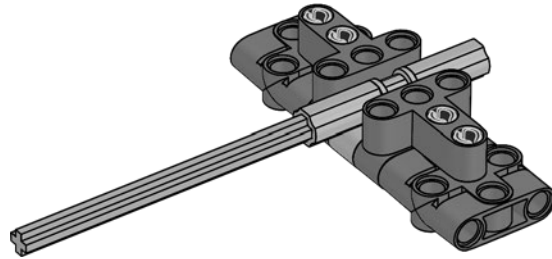
2x
Gris foncé

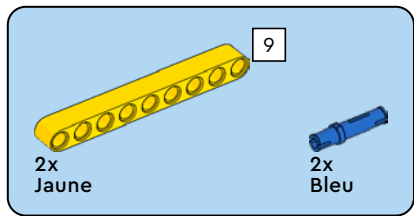
19



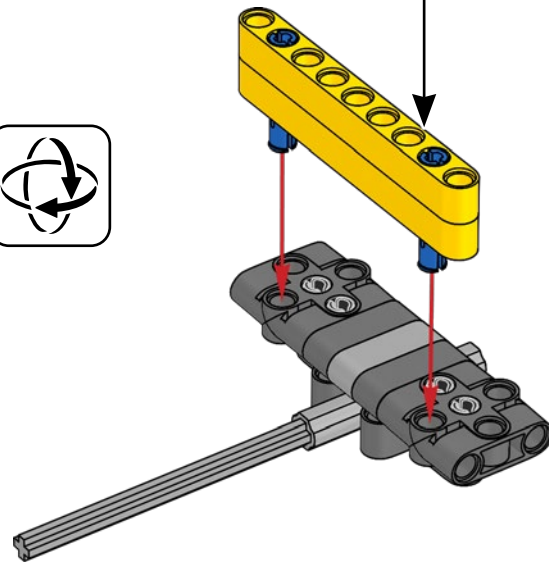
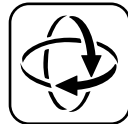
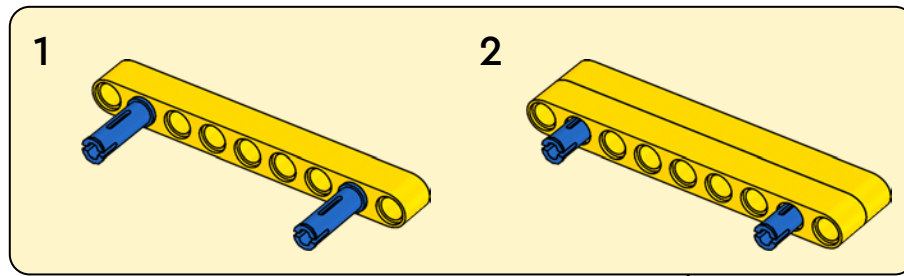


20

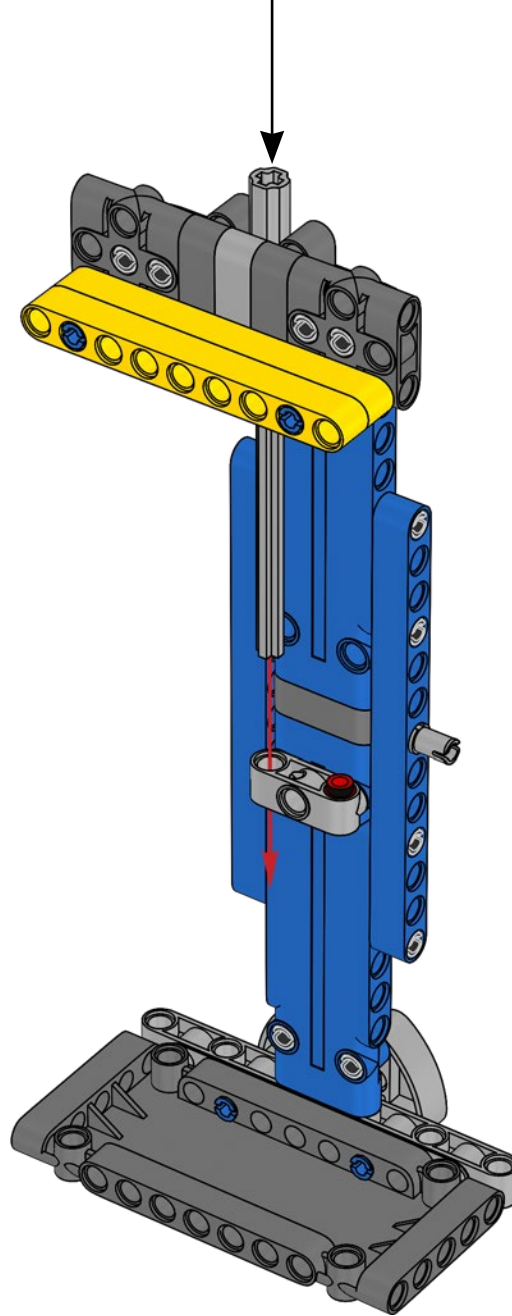


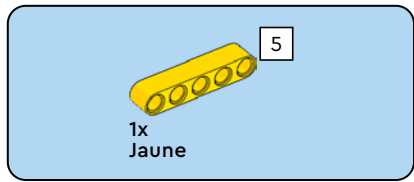


21

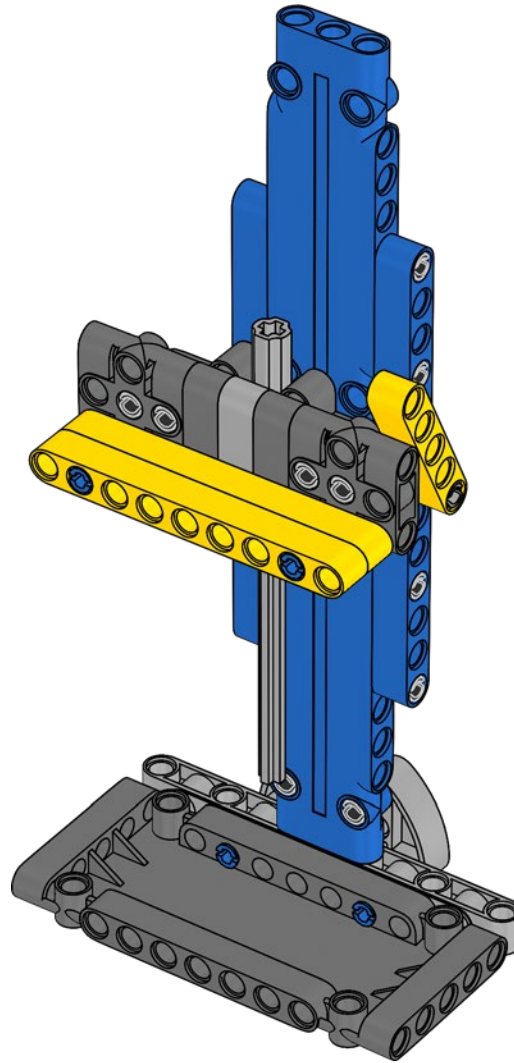


22





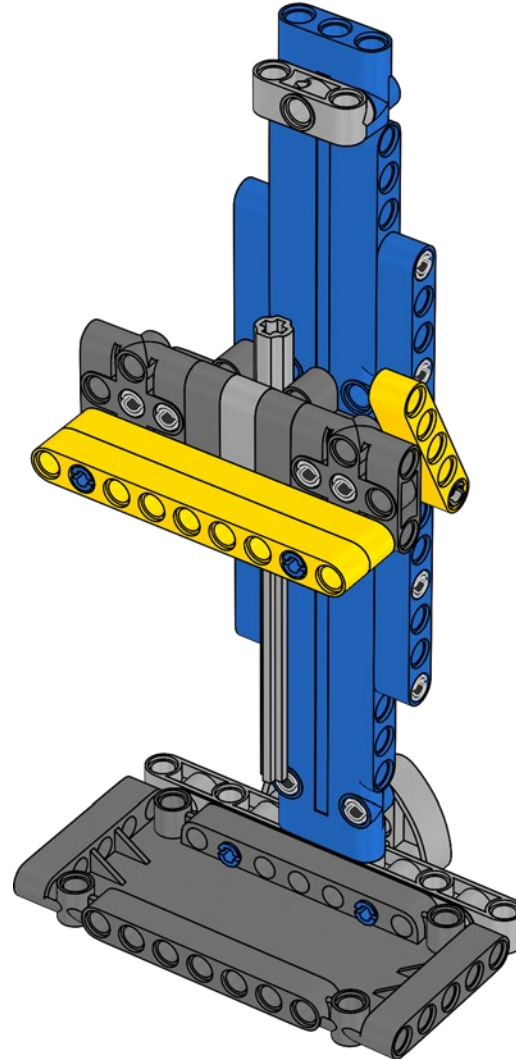
23



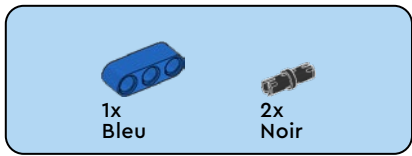


1x
Gris

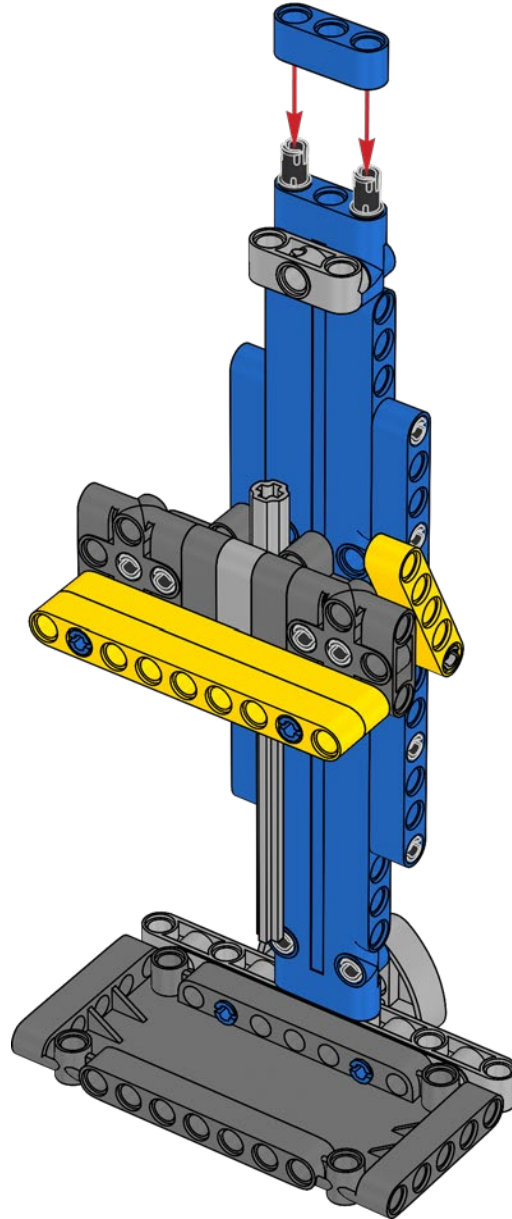
24

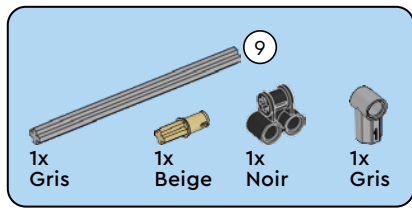


18+19+20

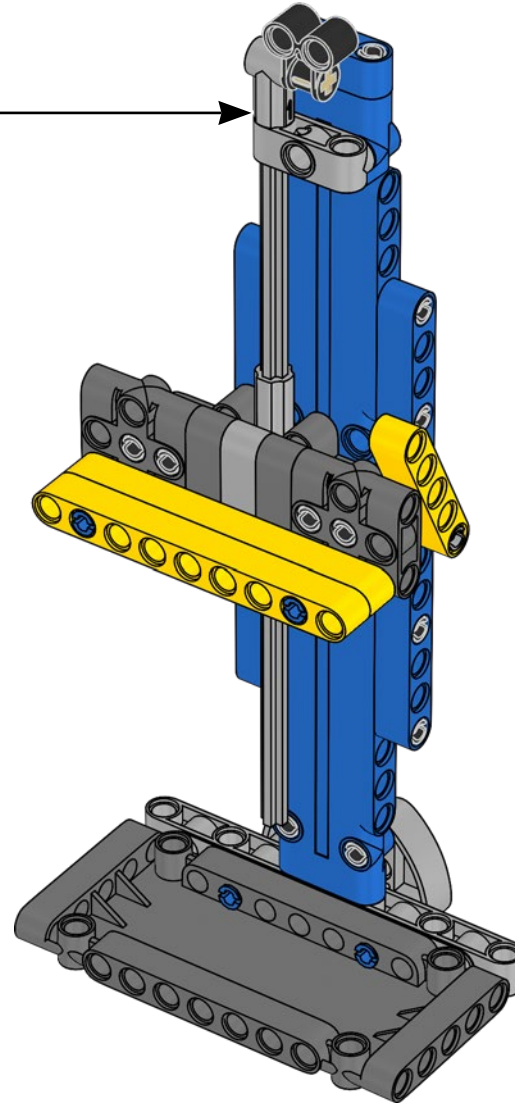
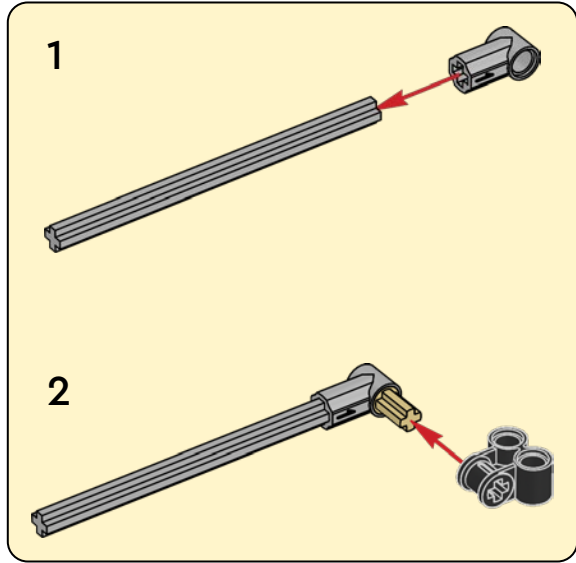


25

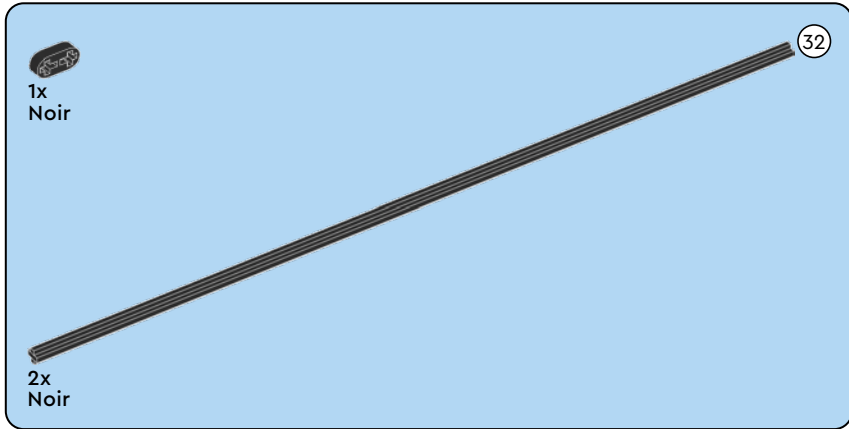
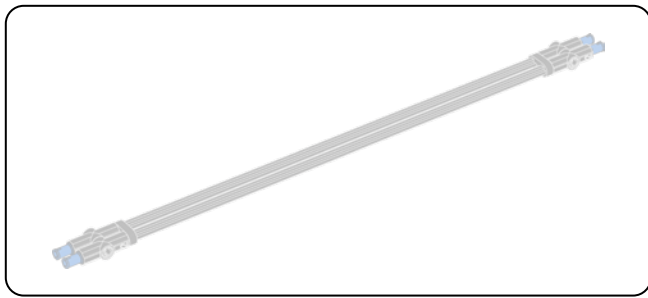




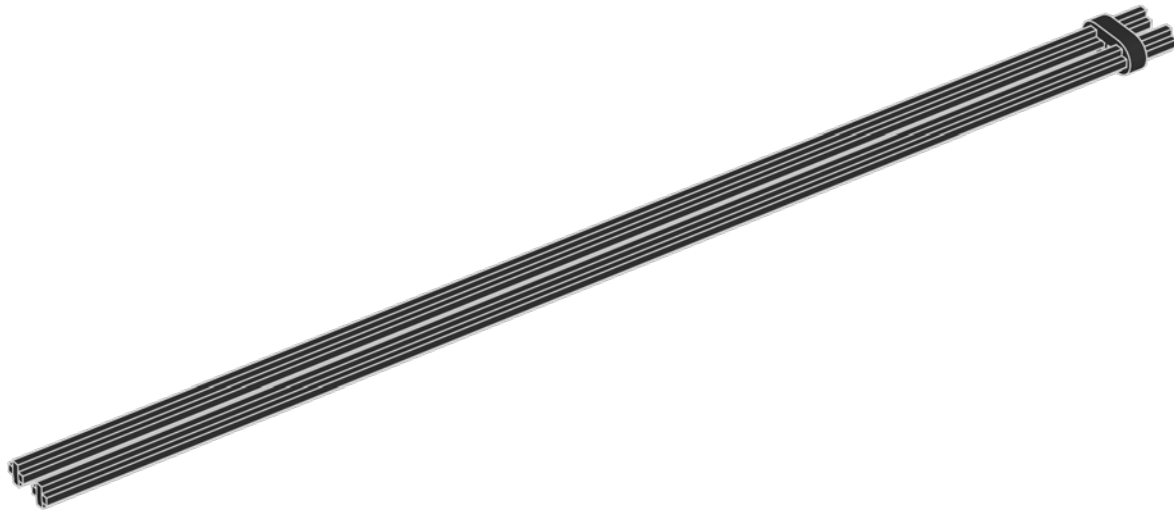
26

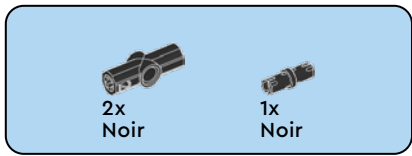


2x

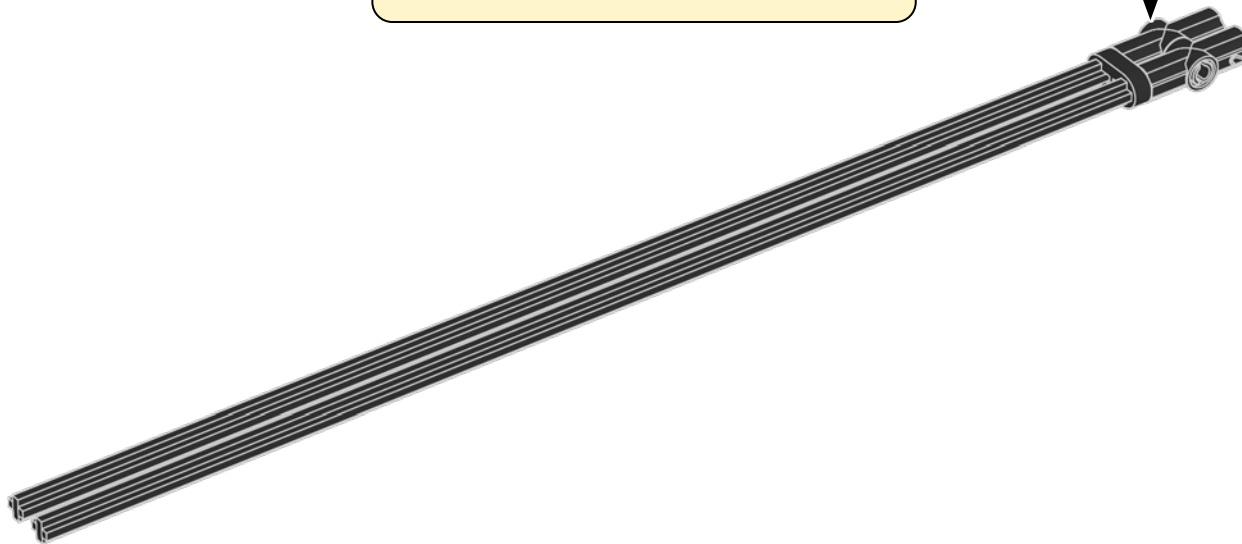
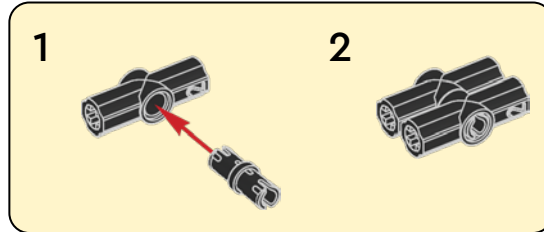


27





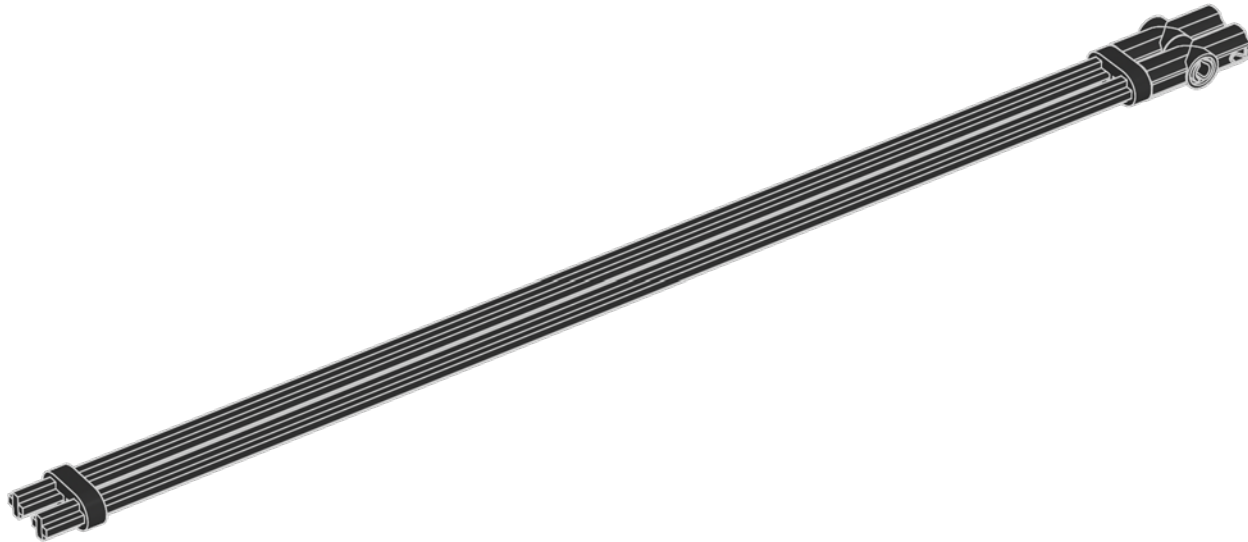
28

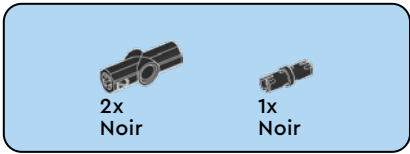




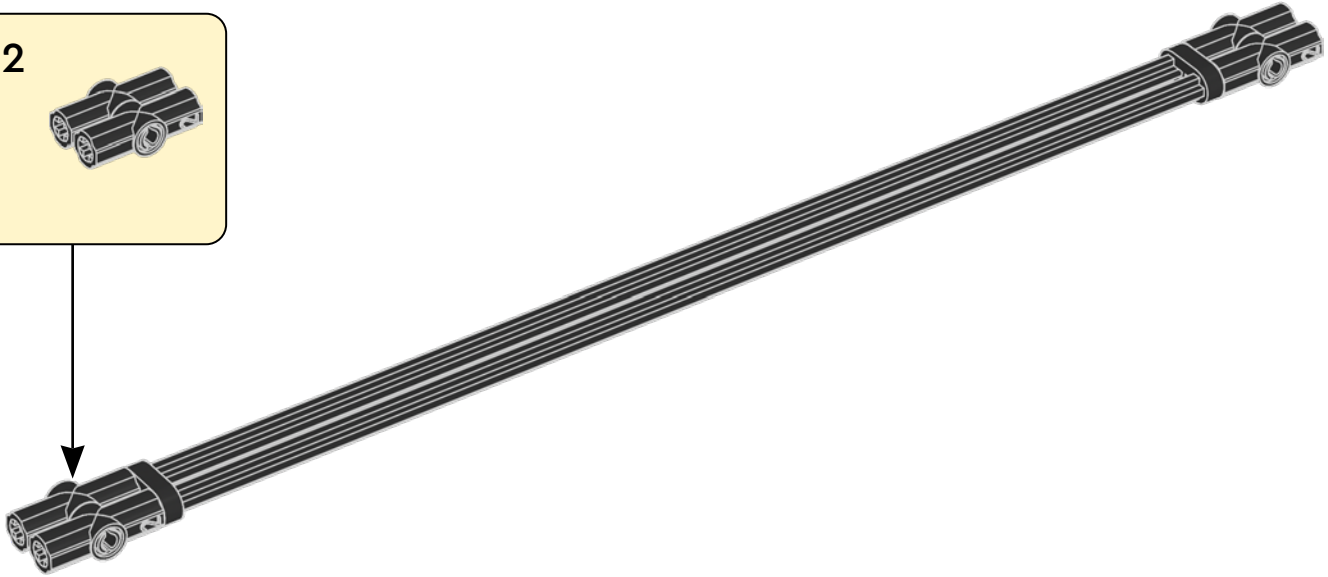
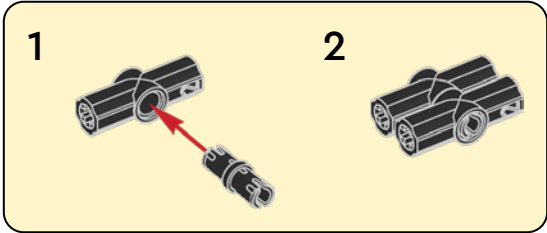
1x
Noir

29





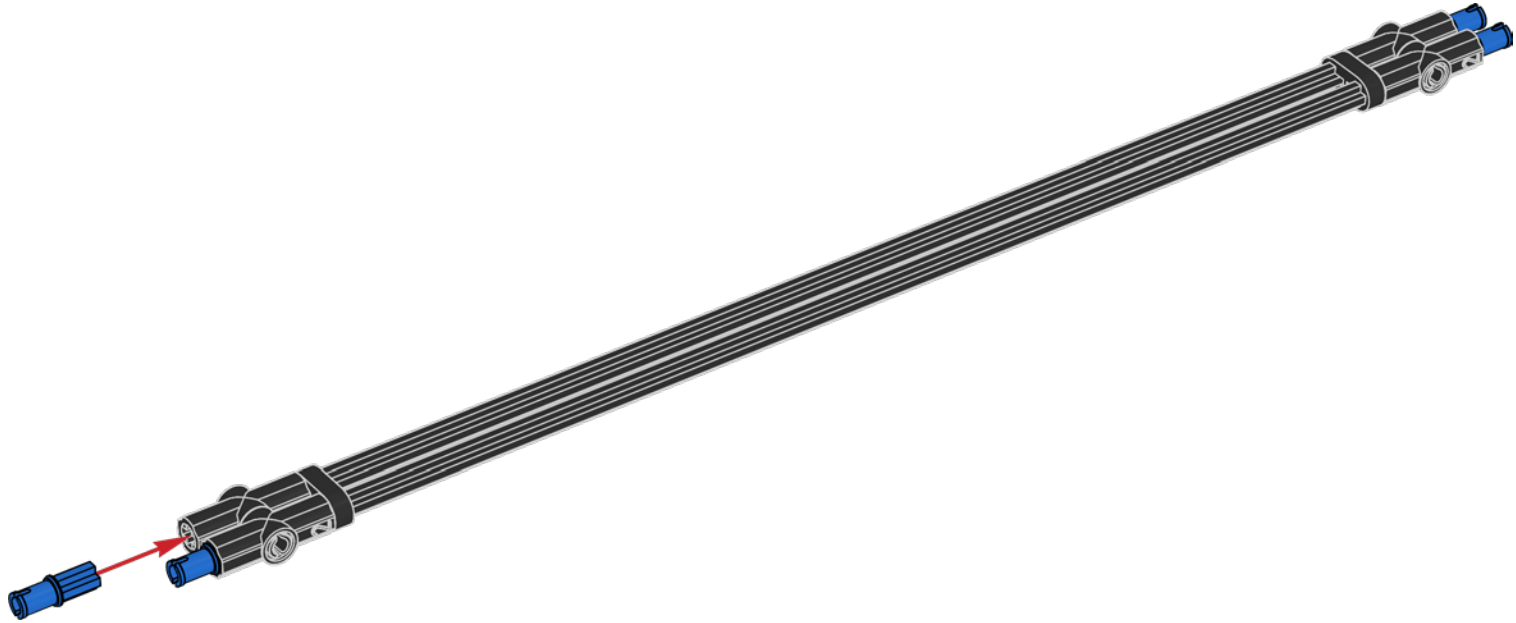
30



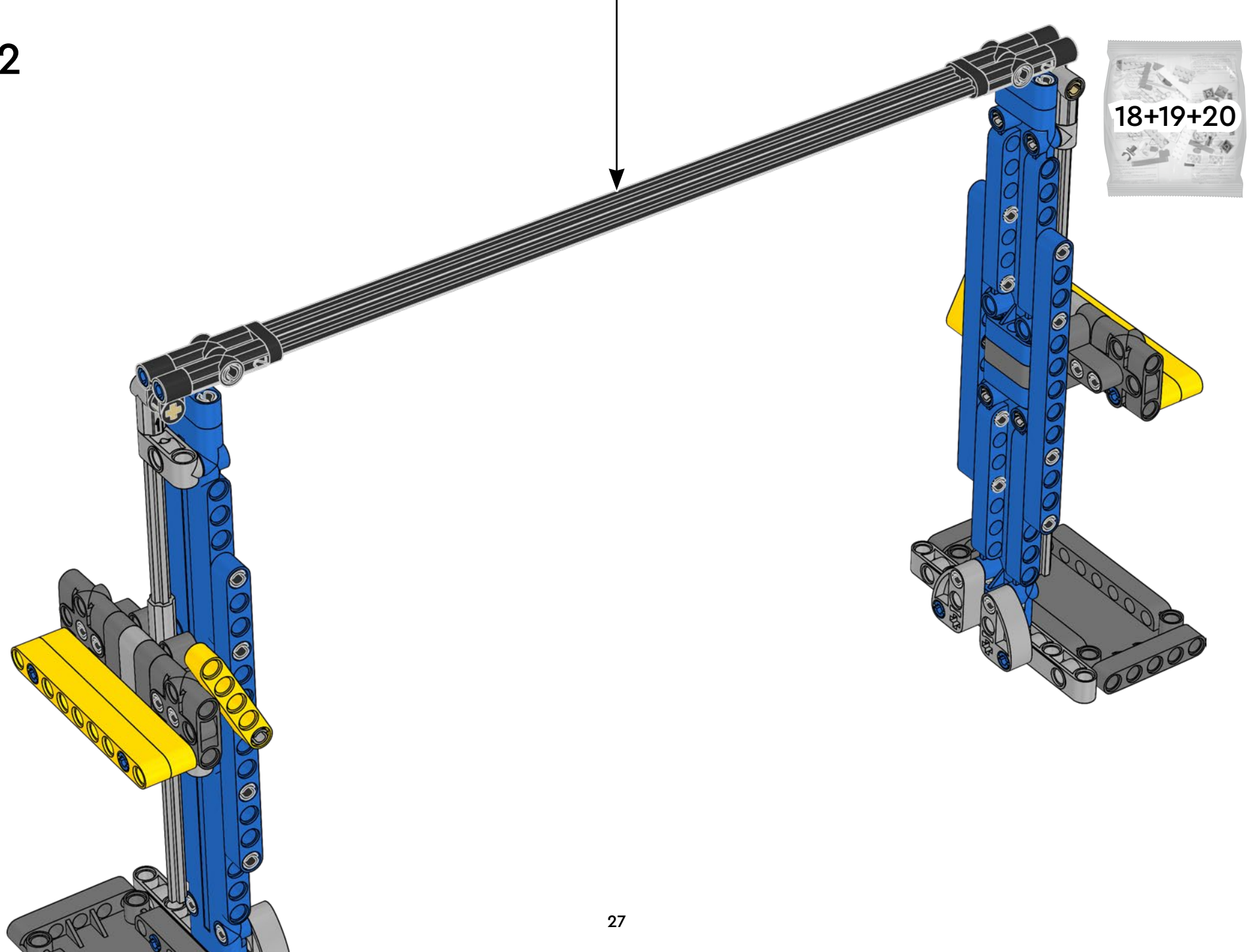


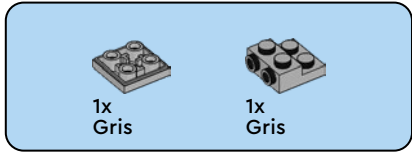
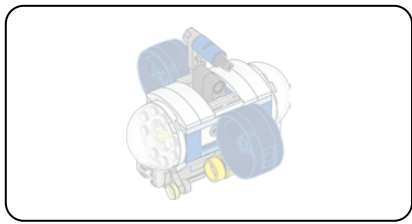
4x
Bleu

31



32

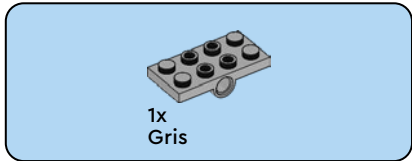
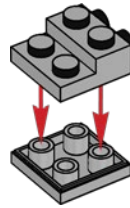




1x
Gris

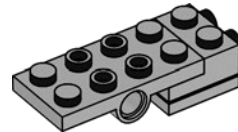
1x
Gris

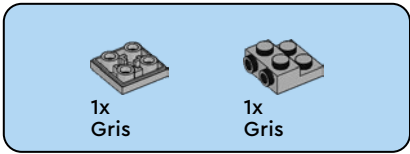
33



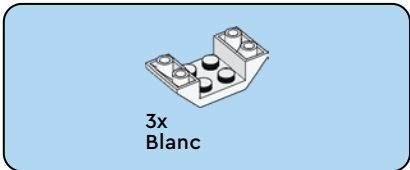
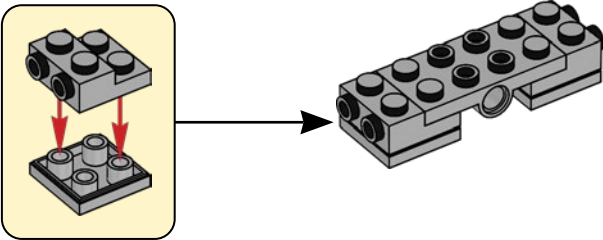
1x
Gris

34

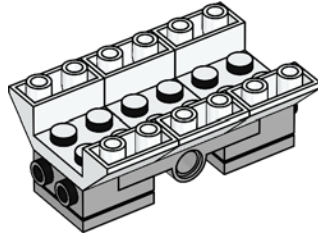




35



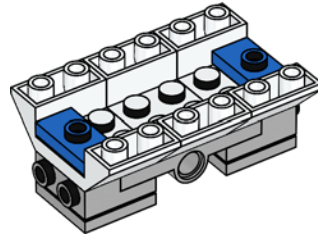
36





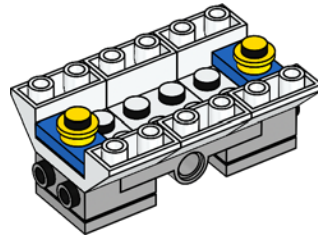
2x
Bleu

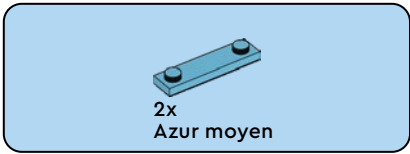
37



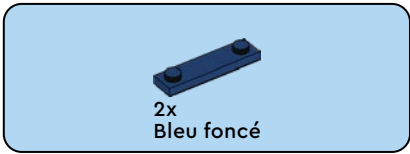
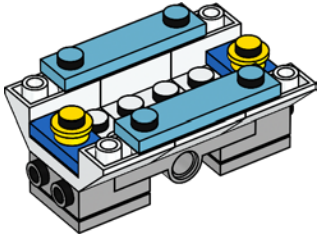
2x
Jaune

38

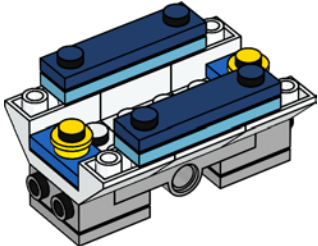




39



40



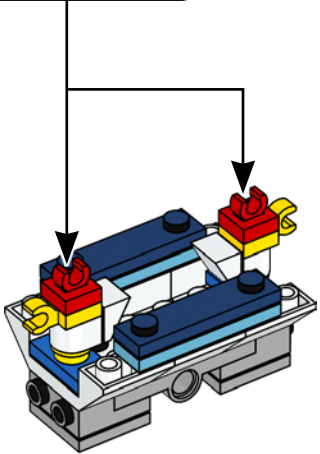
2x Blanc 2x Jaune 2x Rouge 2x Blanc

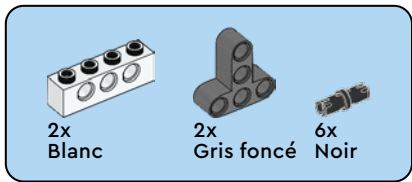
41



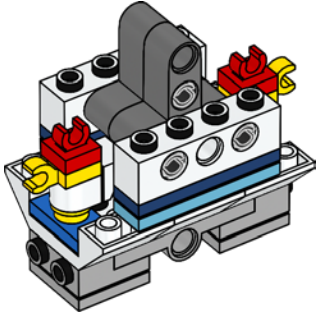
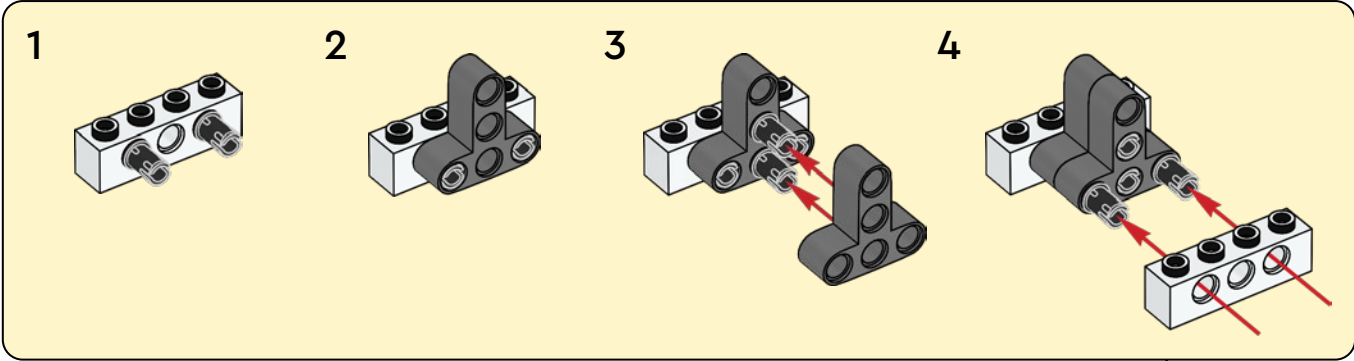
1 2

2x

The diagram shows two steps. Step 1 shows a white cylindrical piece being inserted into a white square piece. Step 2 shows a red 1x2 brick being placed on top of a yellow 1x2 brick, which is already attached to the white square piece from step 1. The number "2x" indicates that this assembly should be repeated twice.



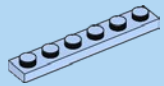
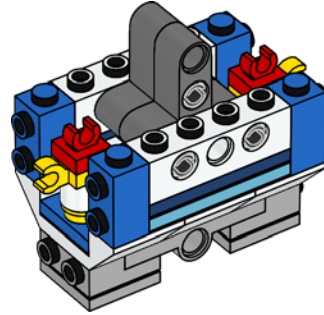
42





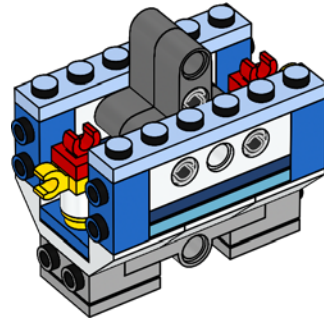
4x
Bleu

43



2x
Bleu clair

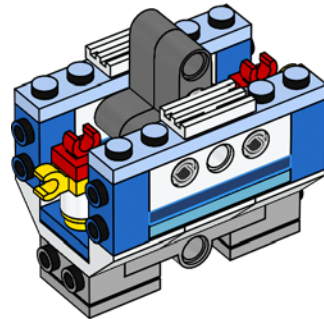
44





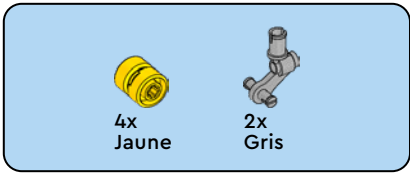
2x
Blanc

45



4x
Jaune

2x
Gris

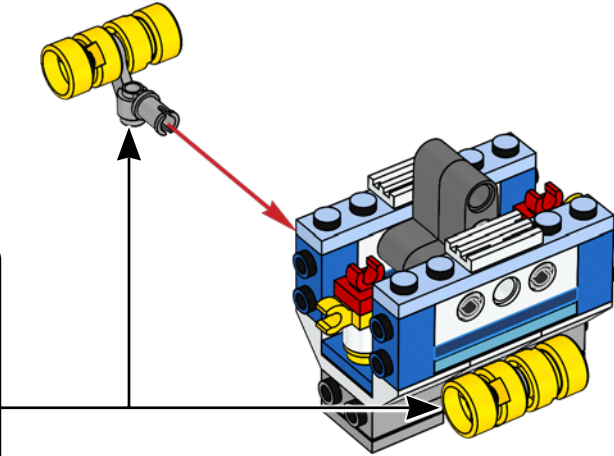
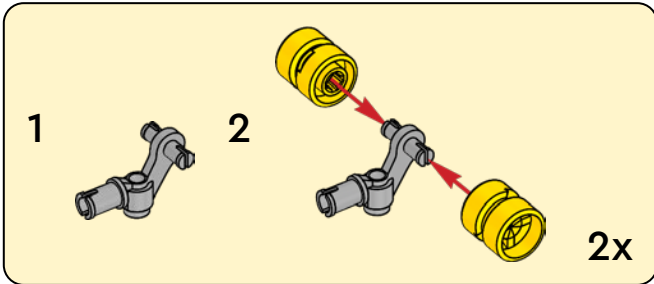


46

1

2

2x



4x
Gris

4x
Jaune transparent

2x
Gris

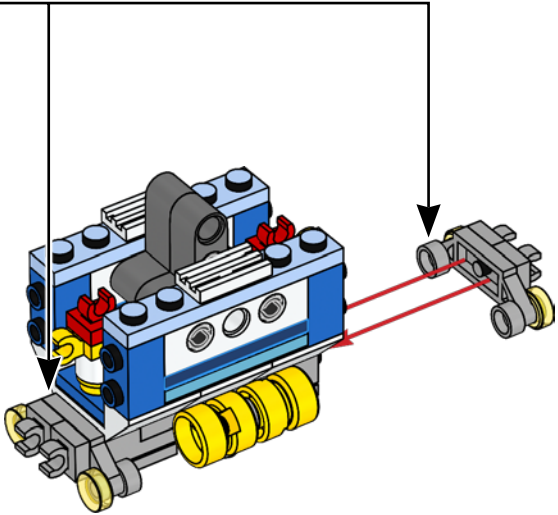


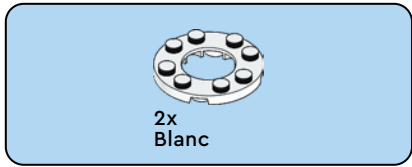
47

1

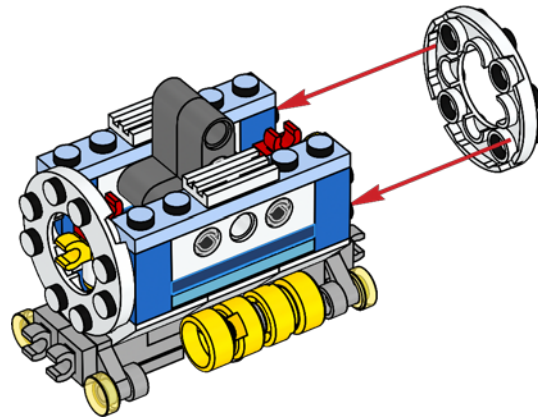
2

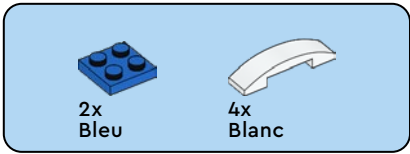
2x



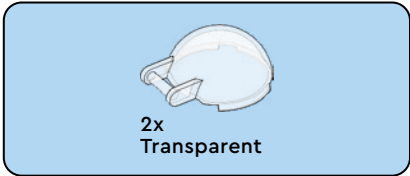
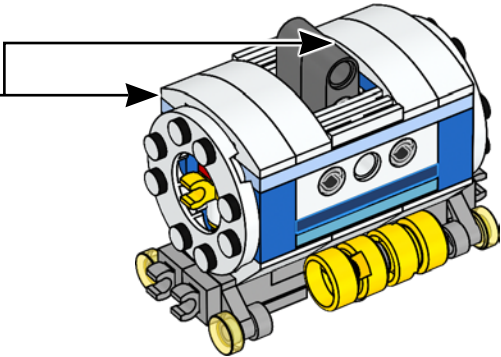
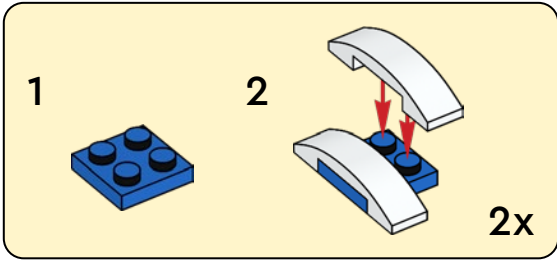


48

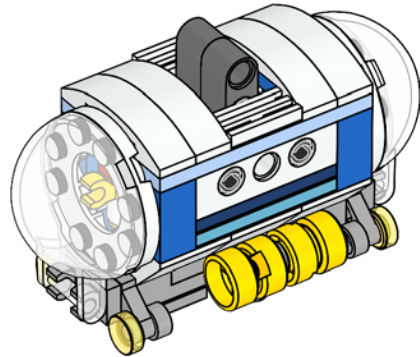




49

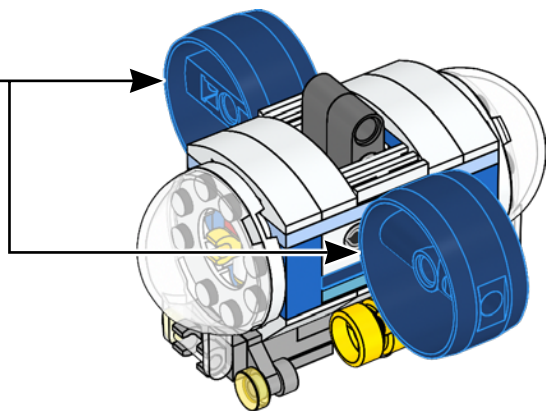
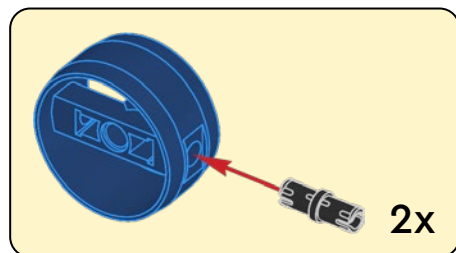


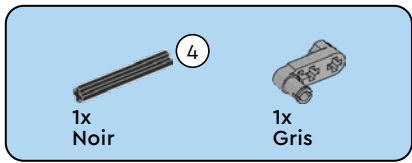
50



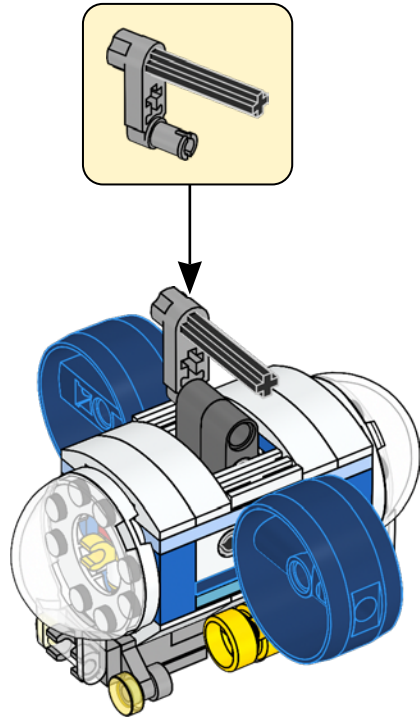


51





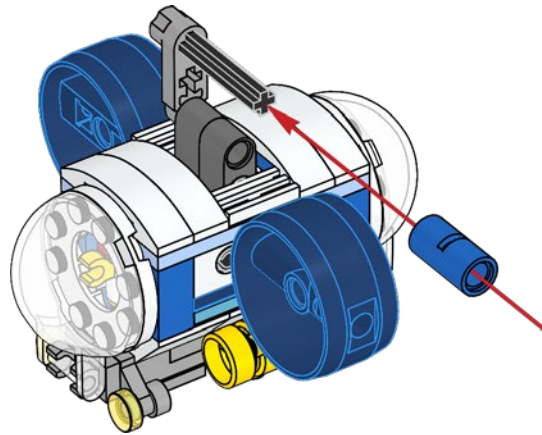
52

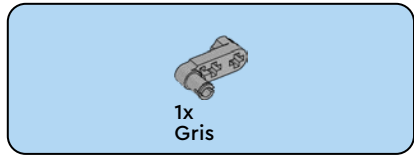




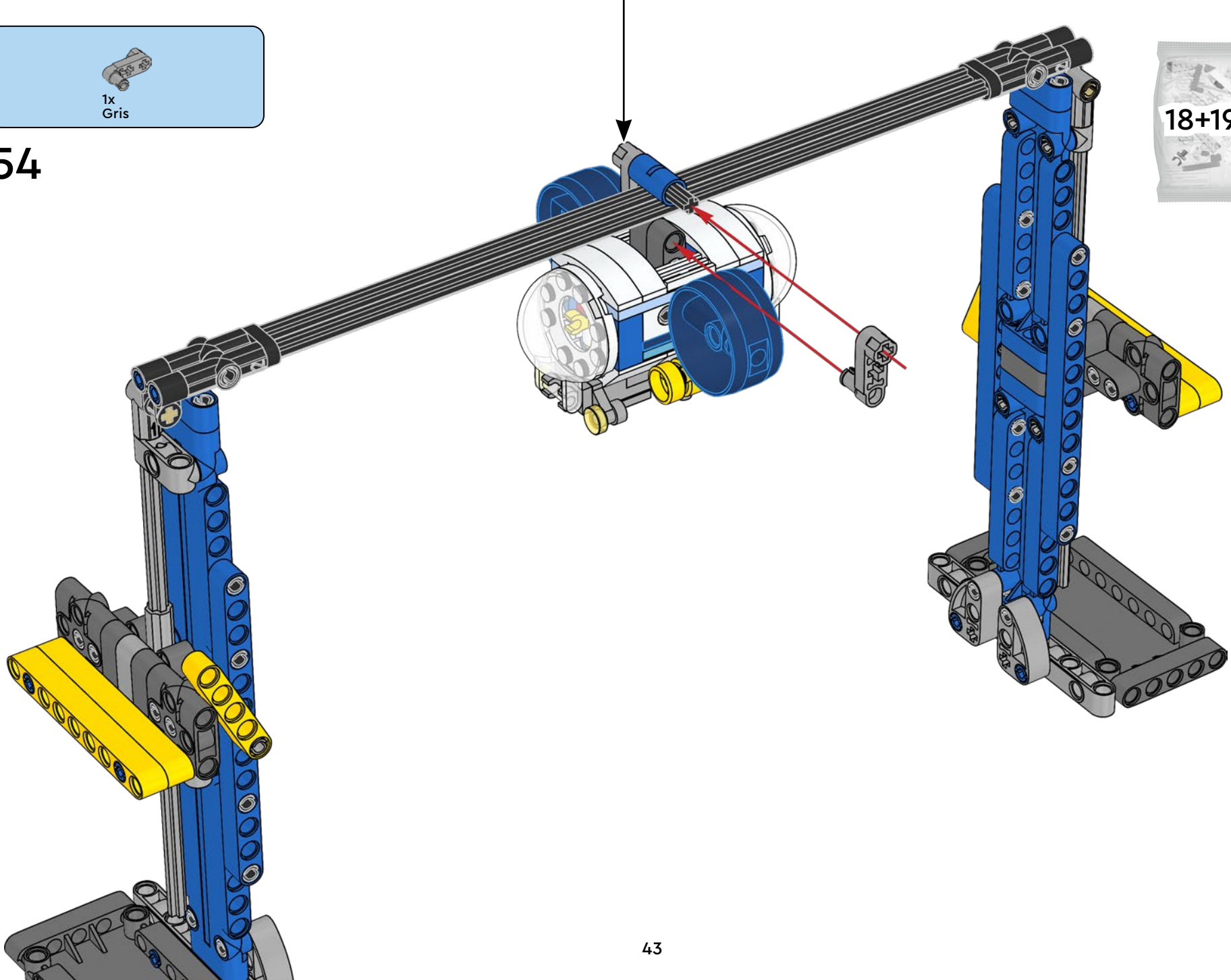
1x
Bleu

53





54



18+19+20