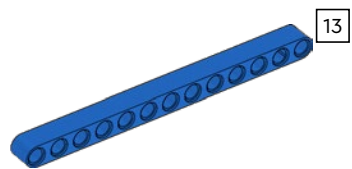
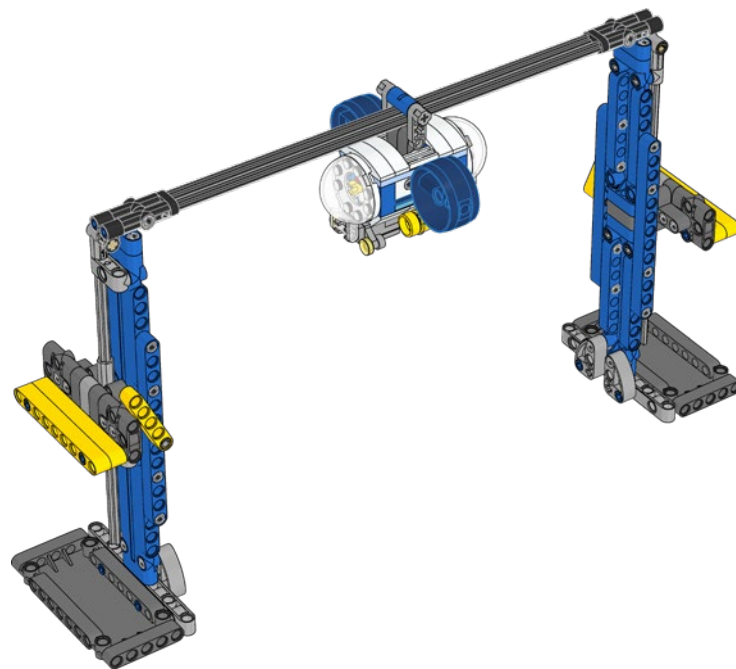
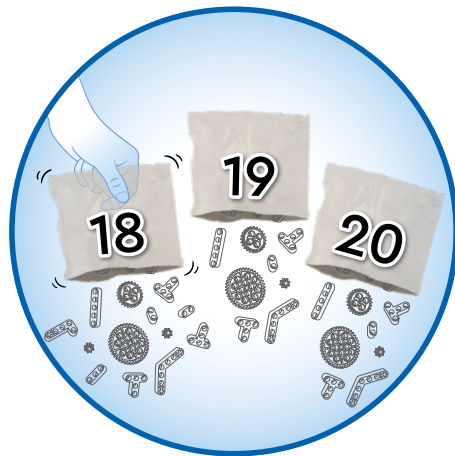


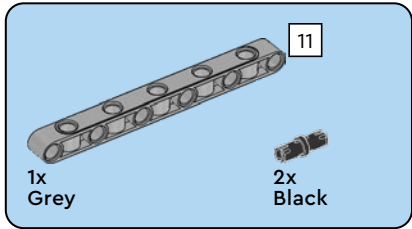
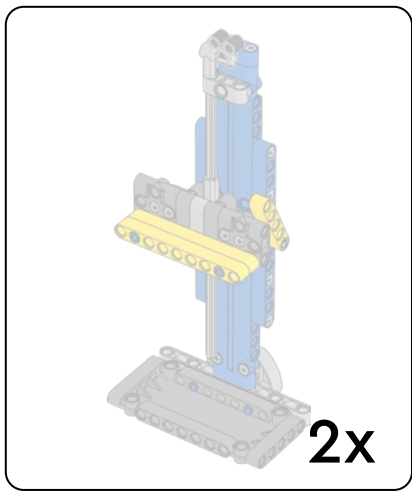
2x  
Black



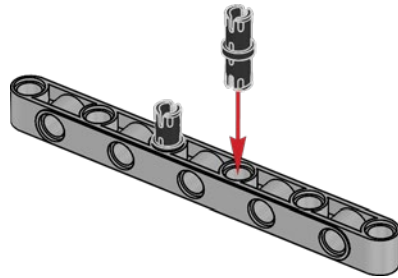
4x  
Blue

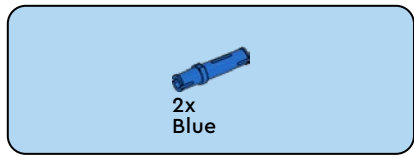


45826

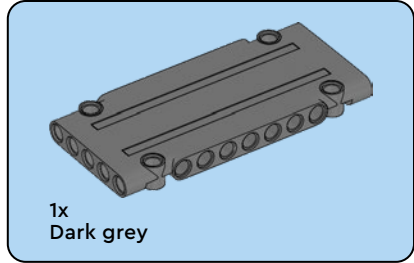
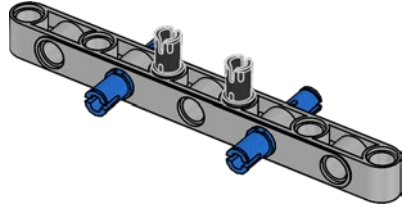


1

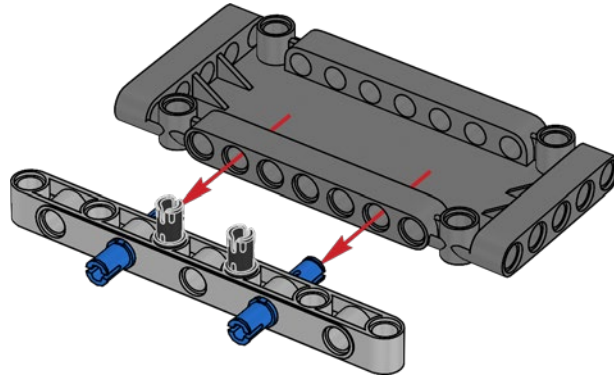


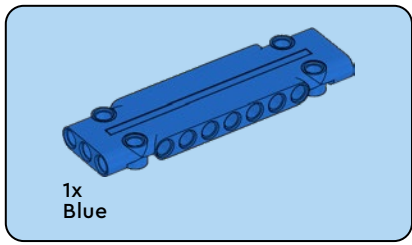


2

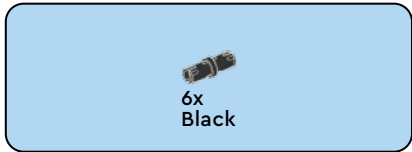
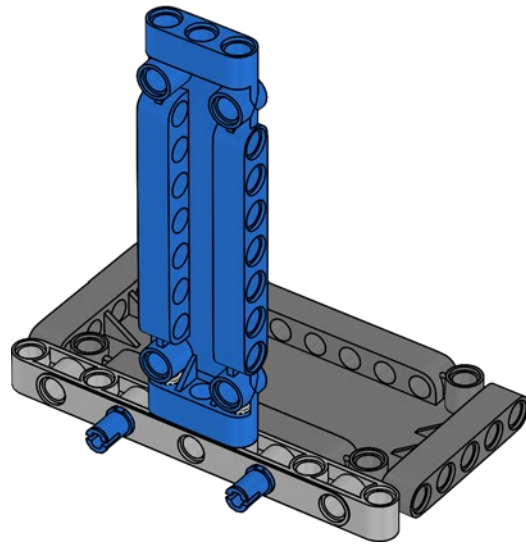


3

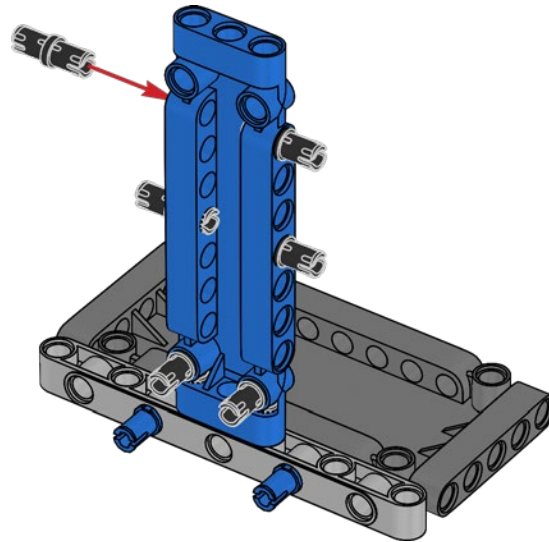




4



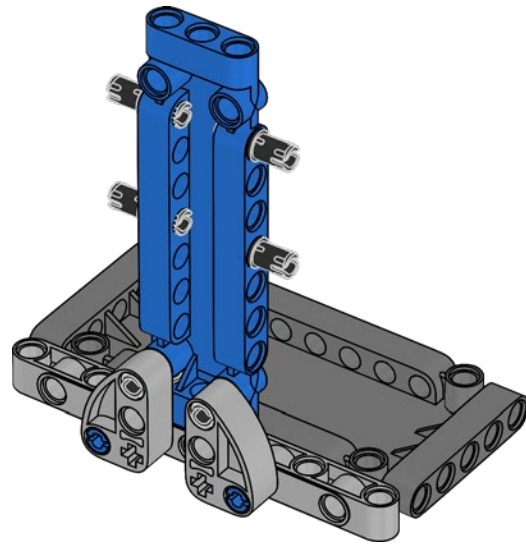
5





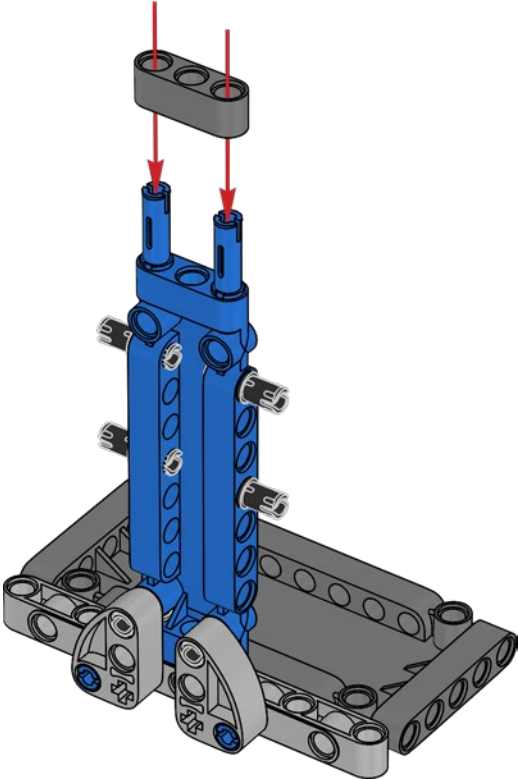
2x  
Grey

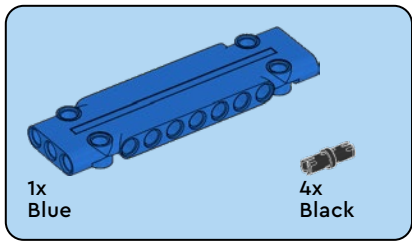
6



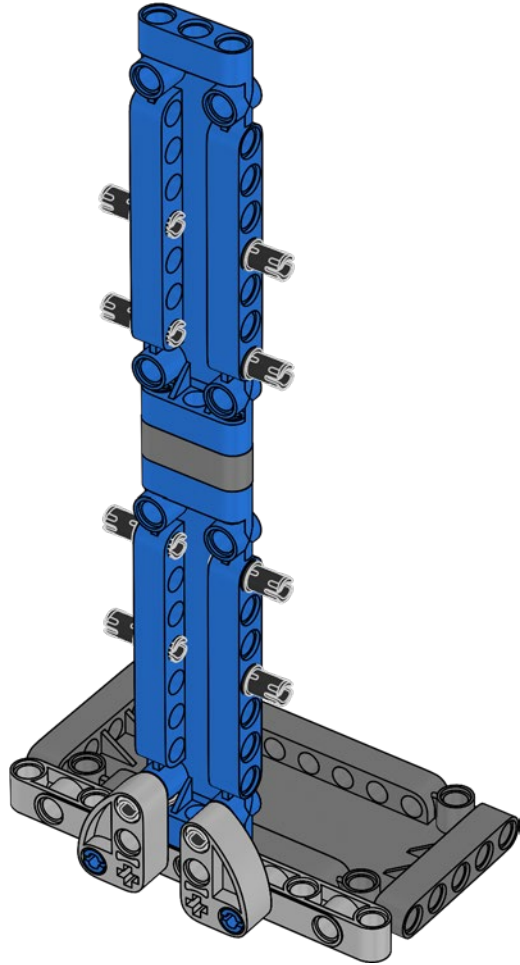
1x Dark grey  
2x Blue

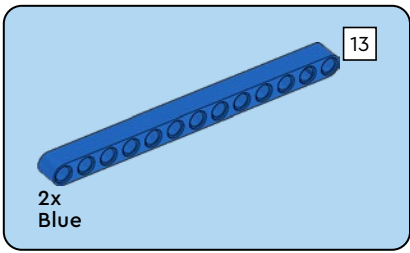
7



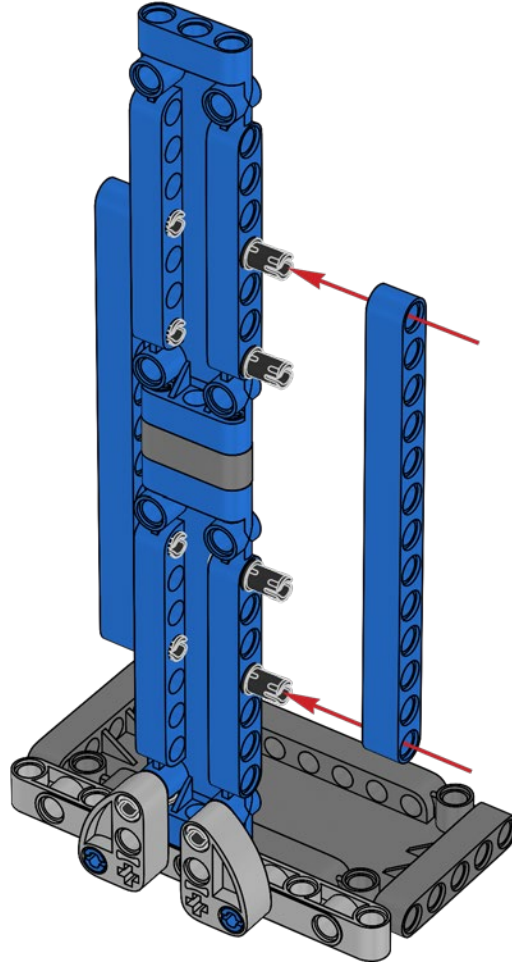


8





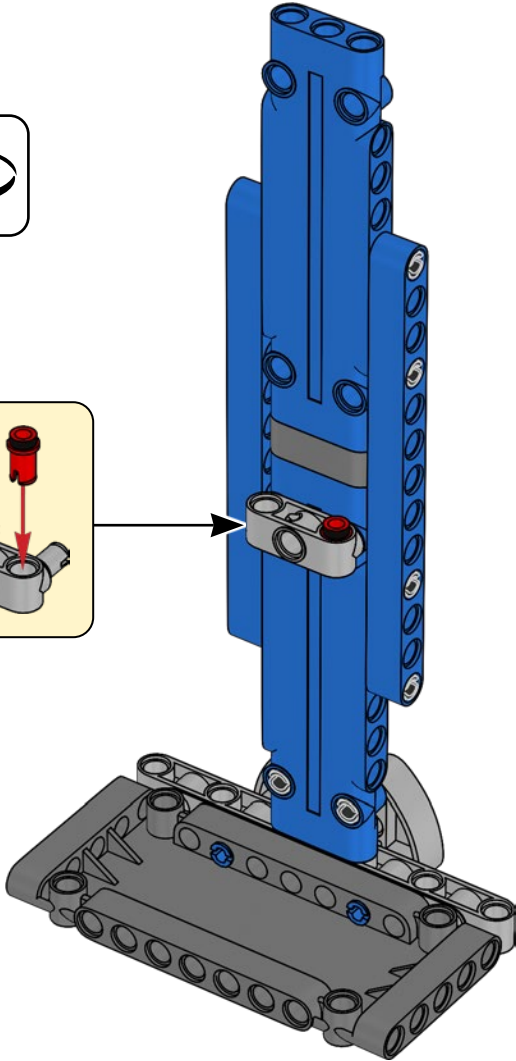
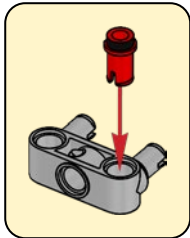
9





1x Red  
1x Grey

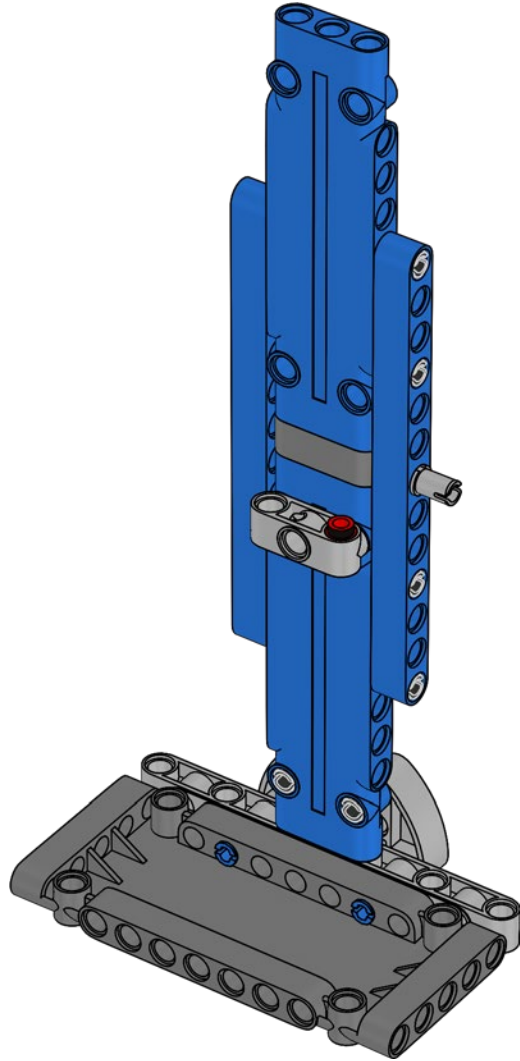
10

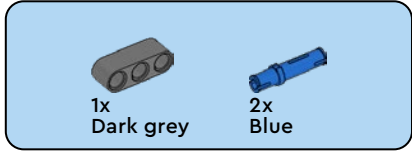
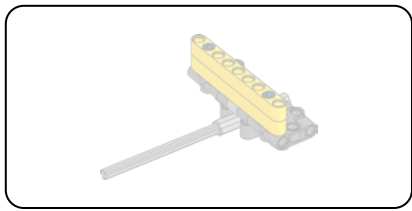




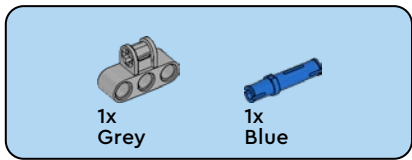
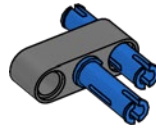
1x  
Grey

11

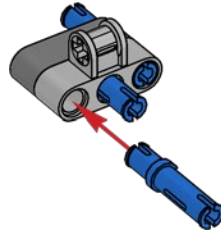




12

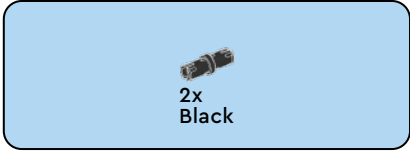
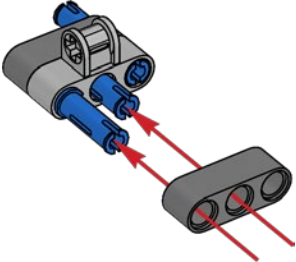


13

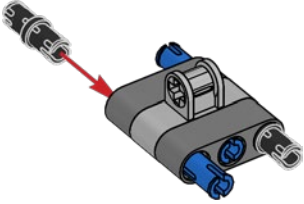




14

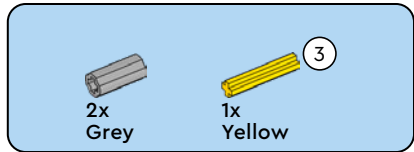
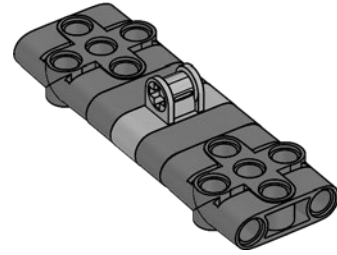


15

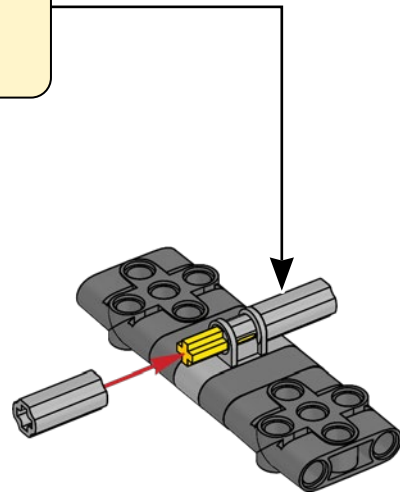
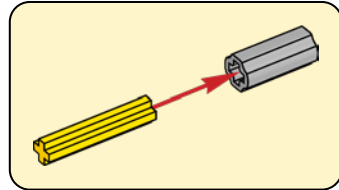




16

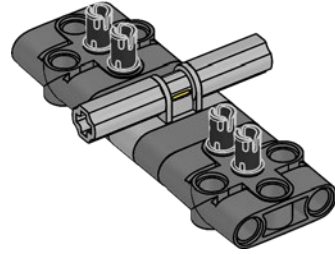


17



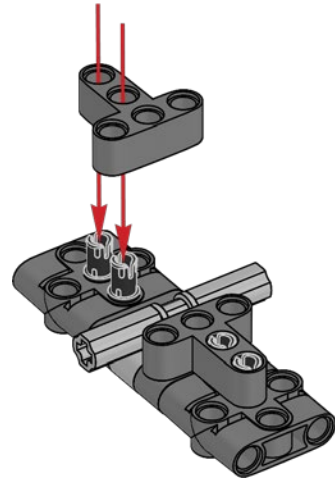
4x  
Black

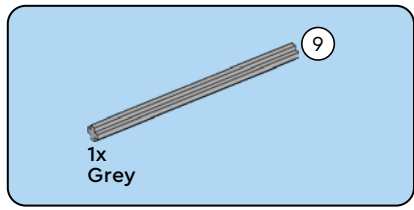
18



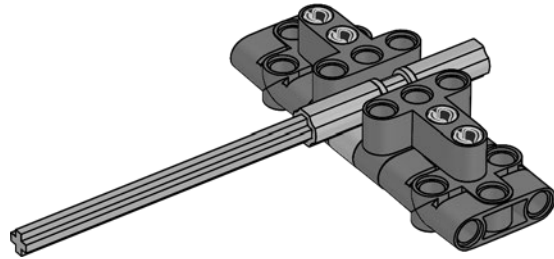
2x  
Dark grey

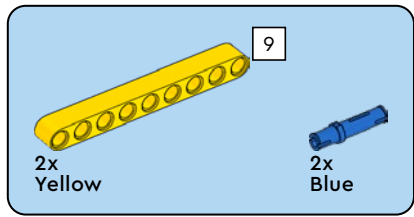
19



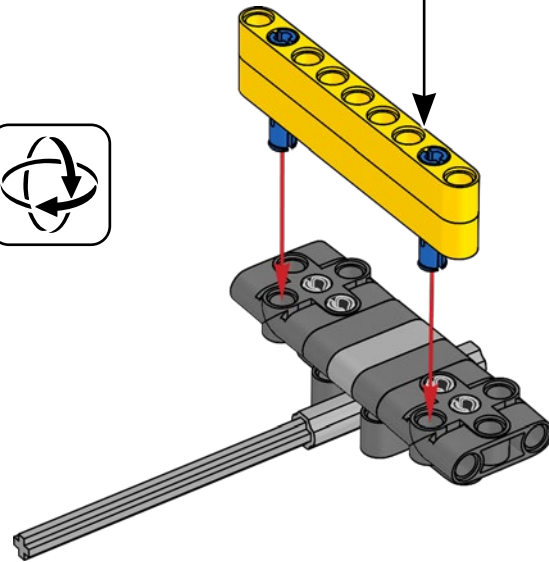
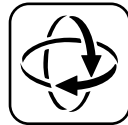
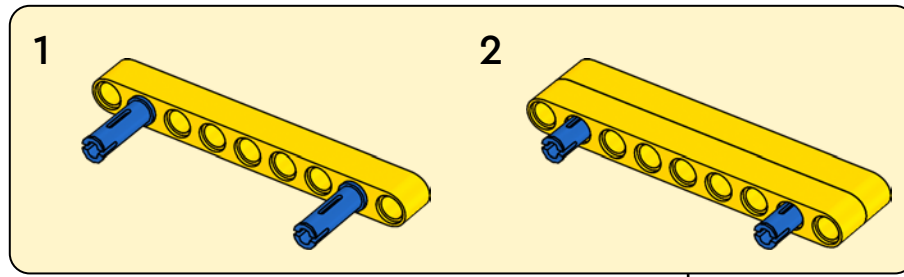


20



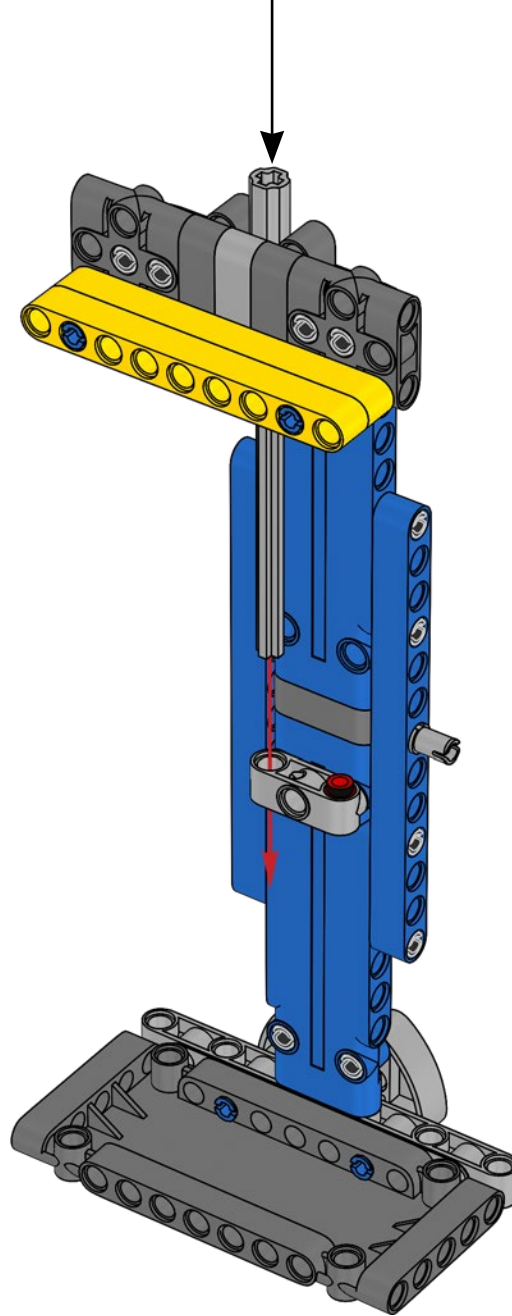


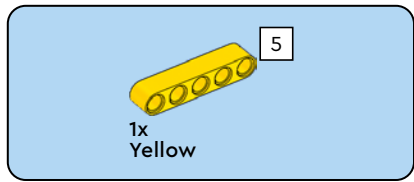
21



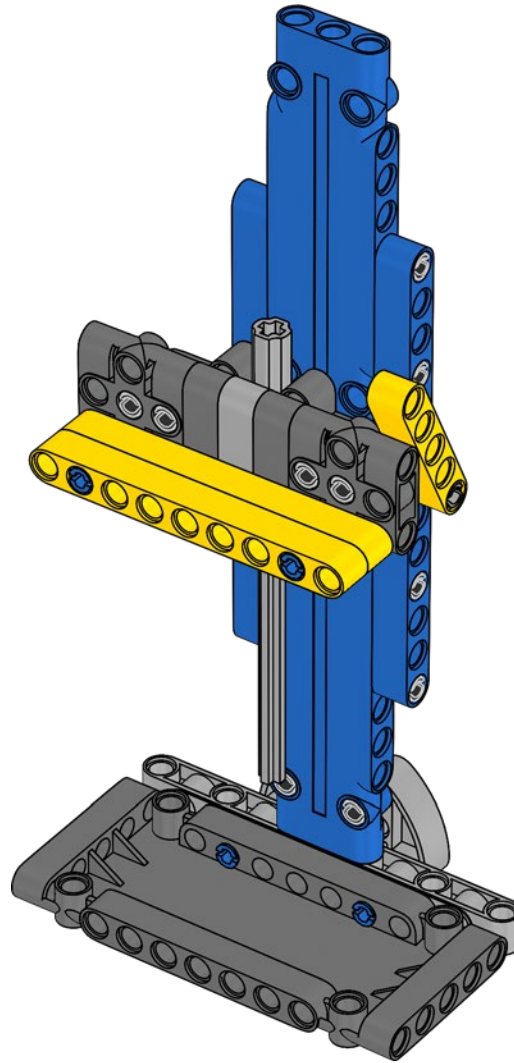


22





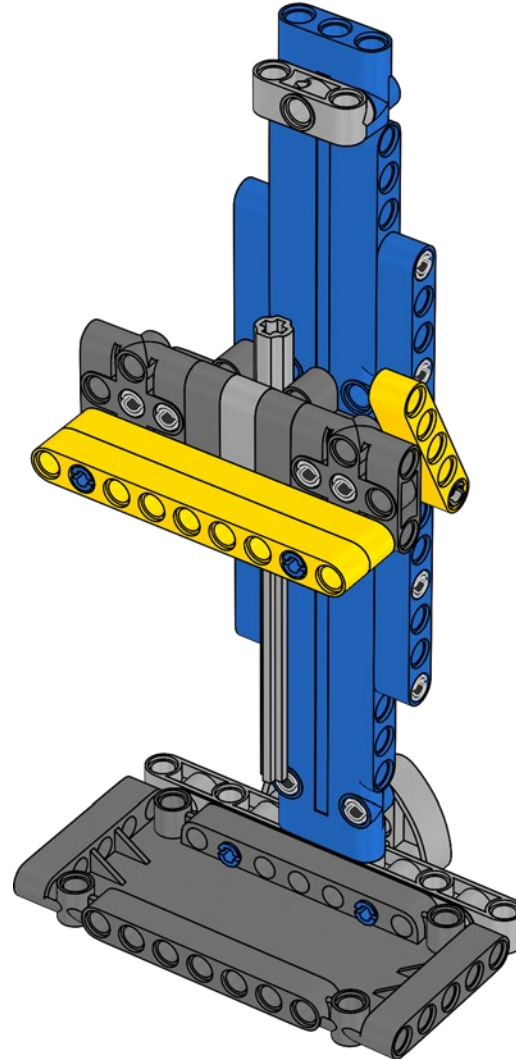
23

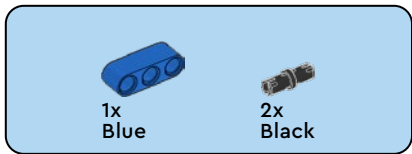




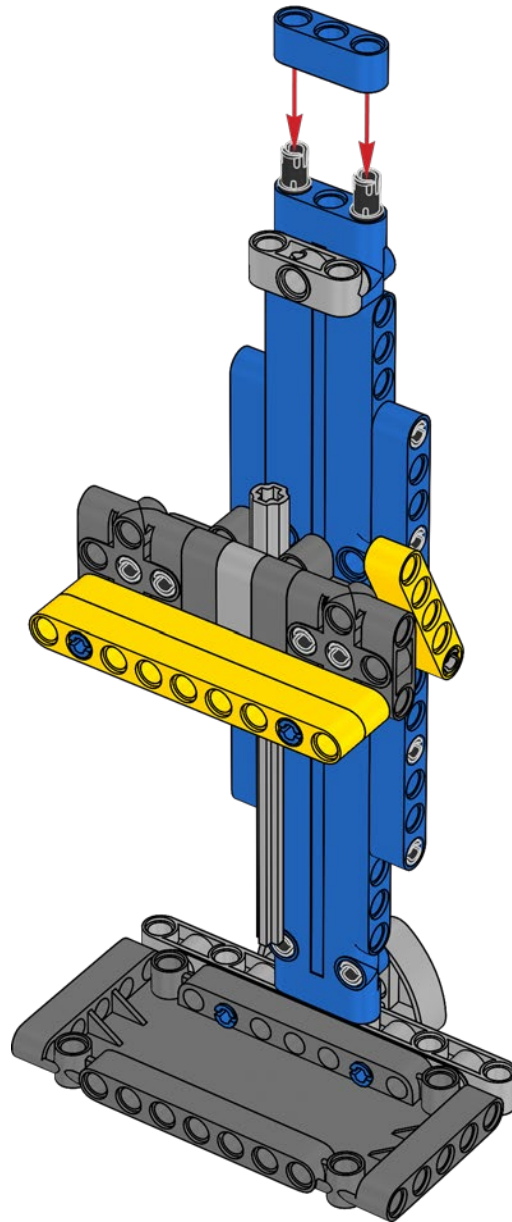
1x  
Grey

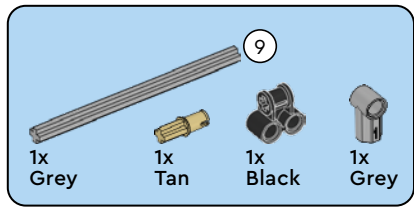
24



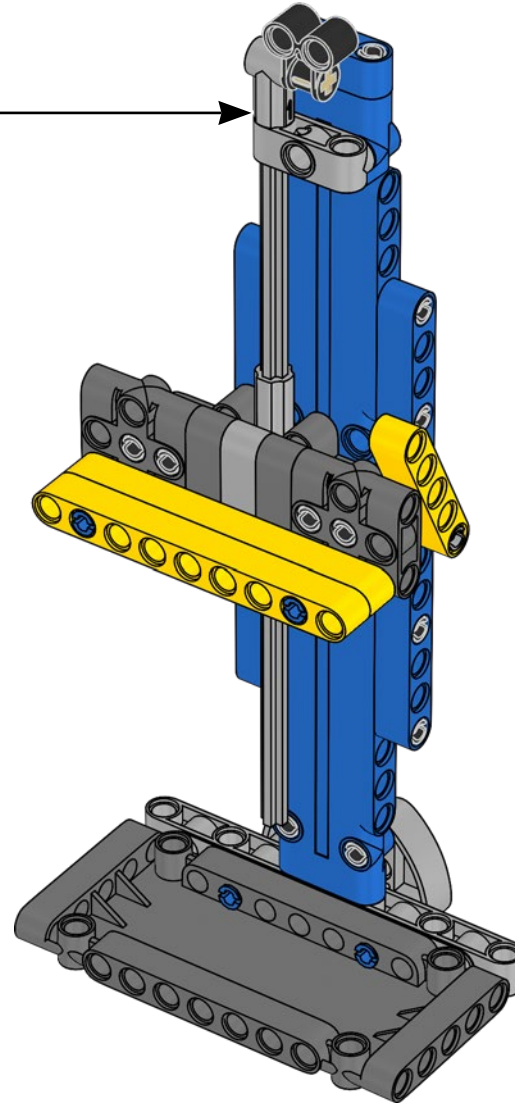
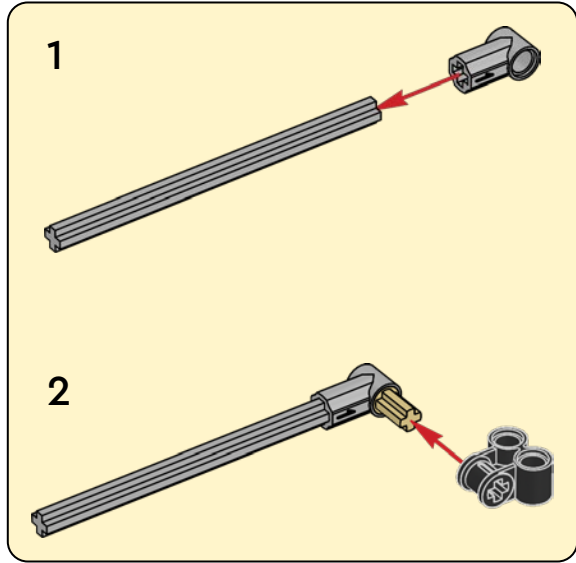


25

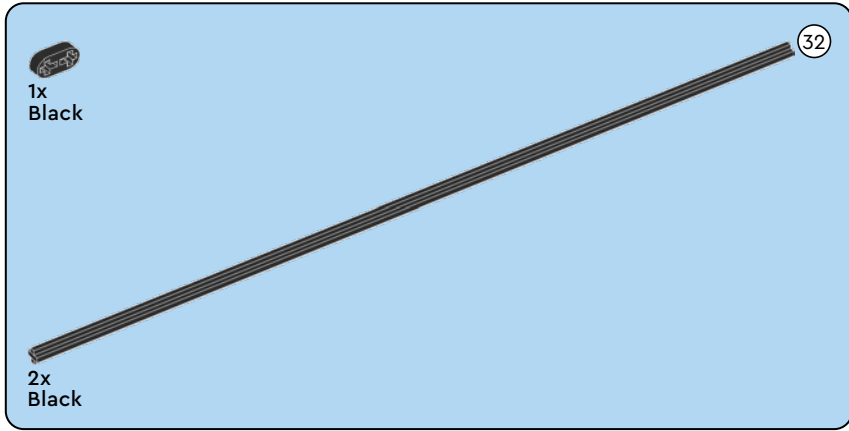
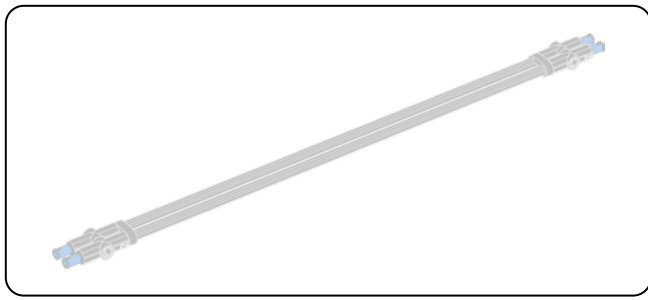




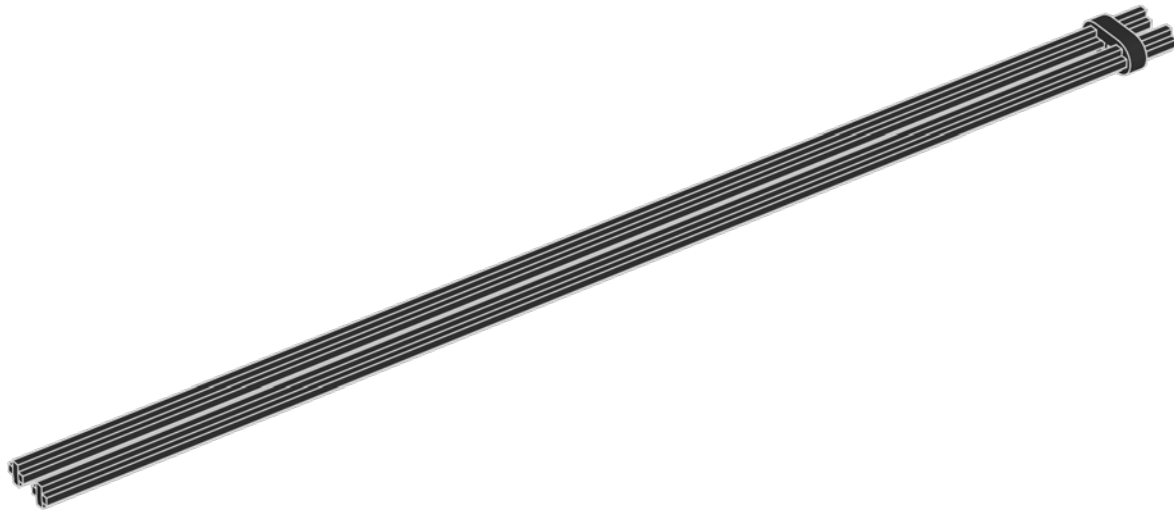
26

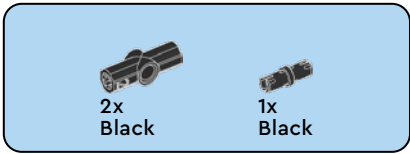


2x

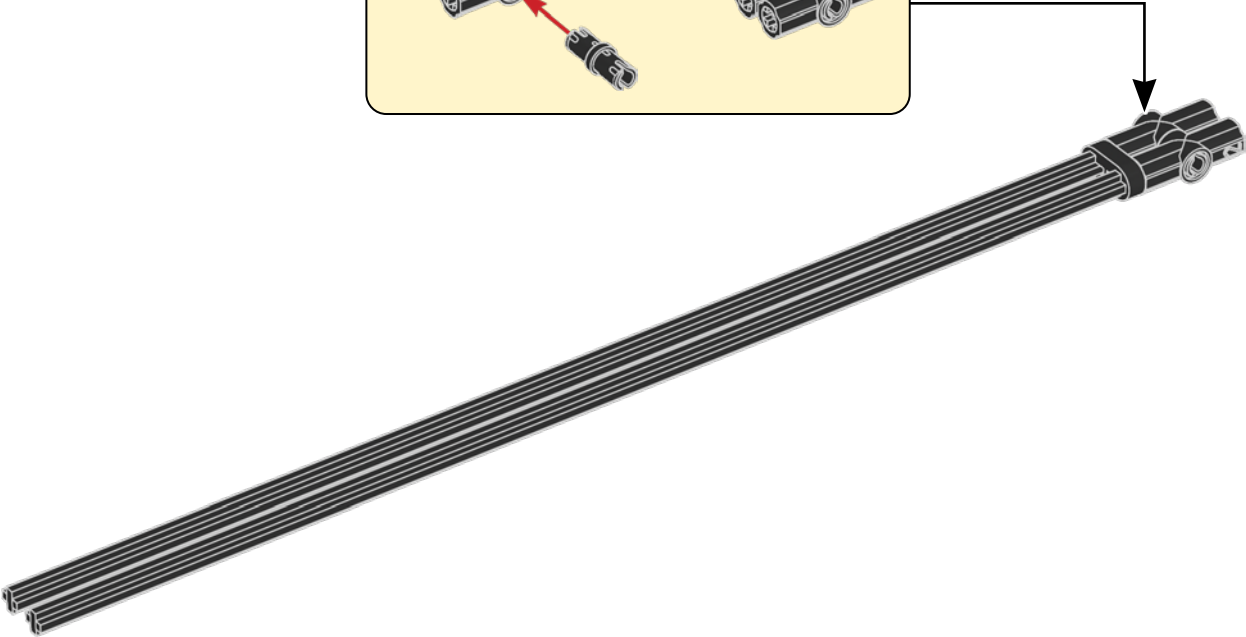
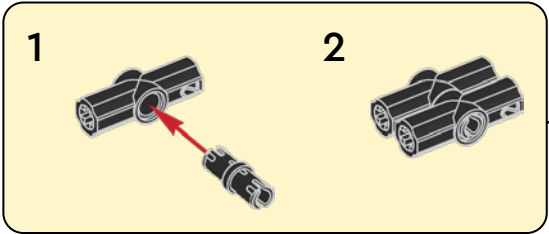


27





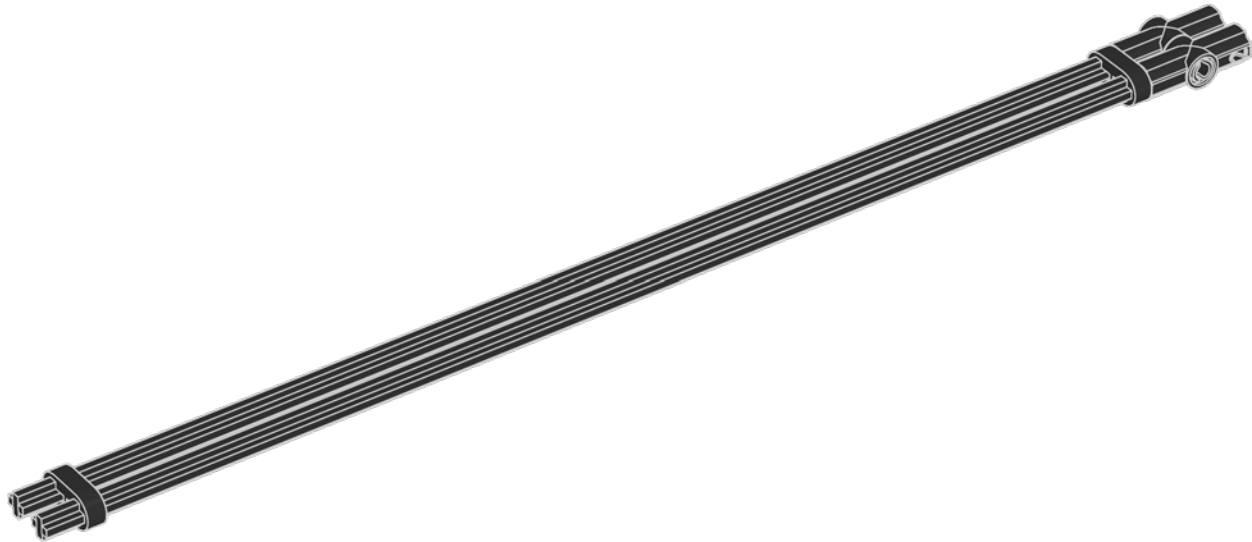
28



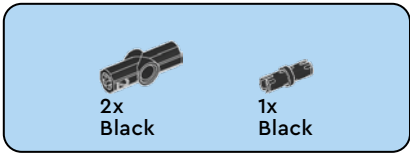


1x  
Black

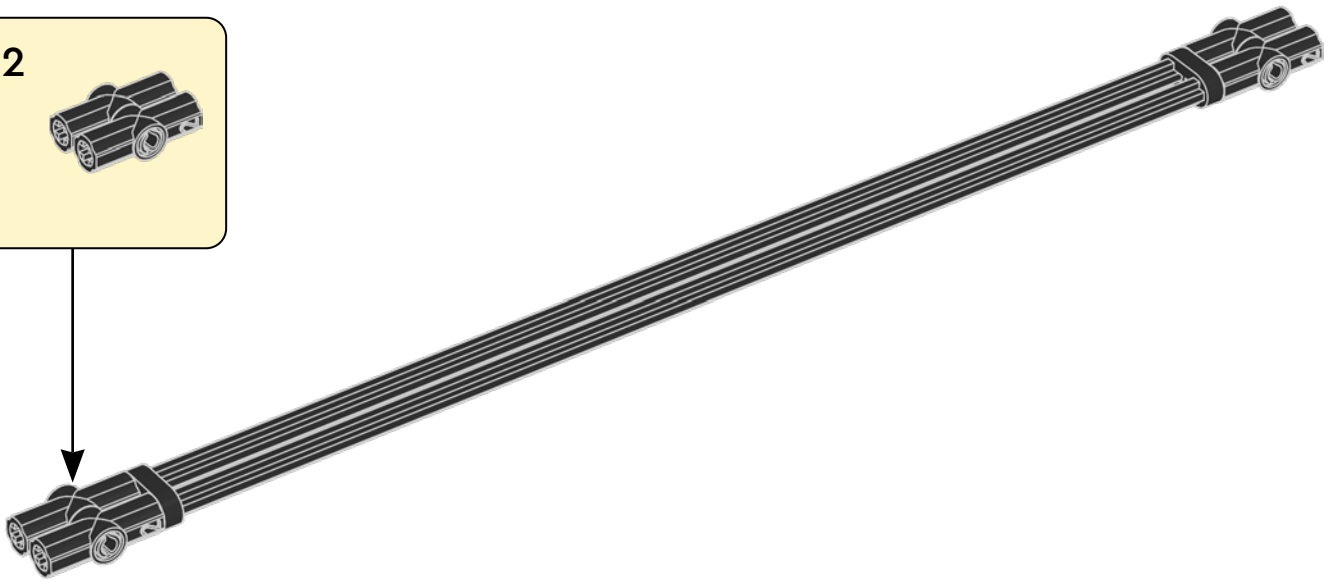
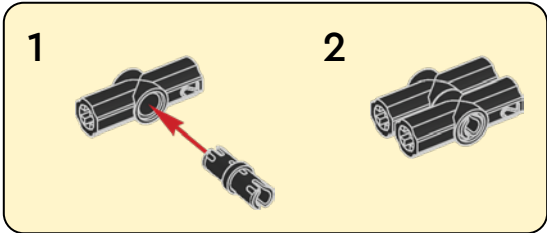
29







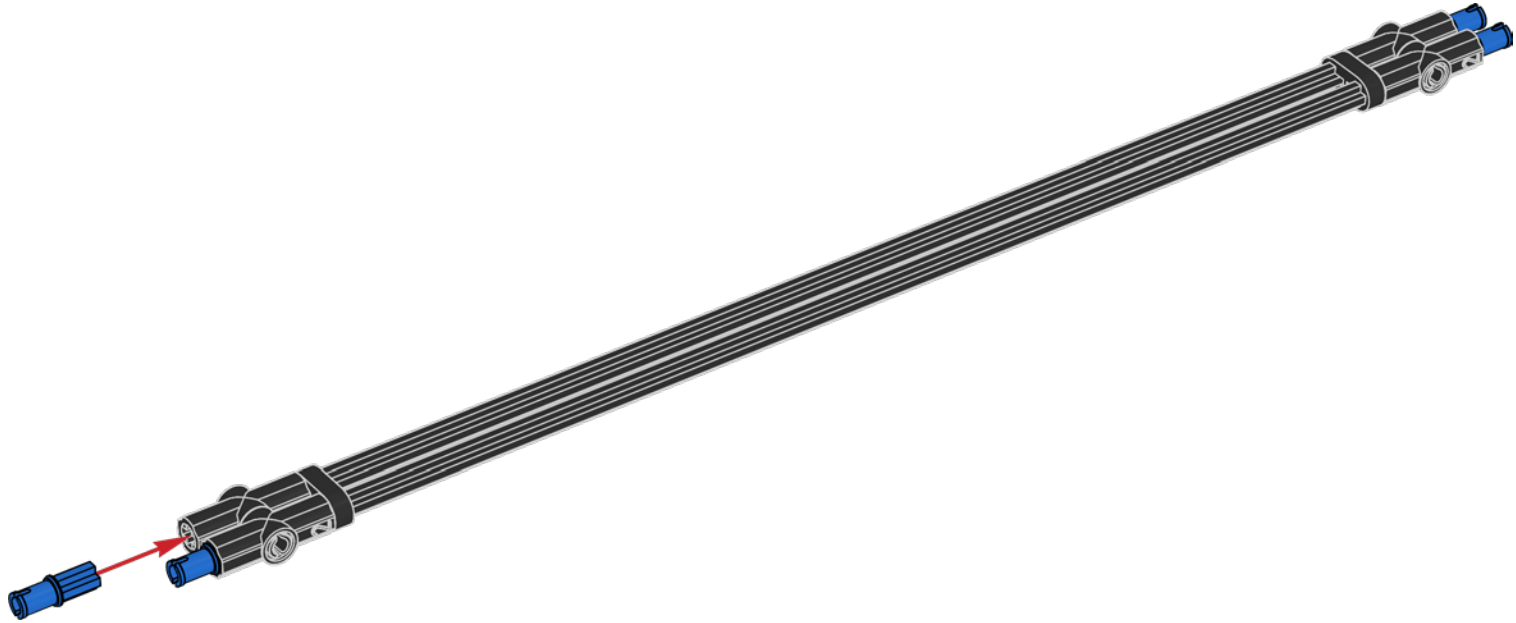
30



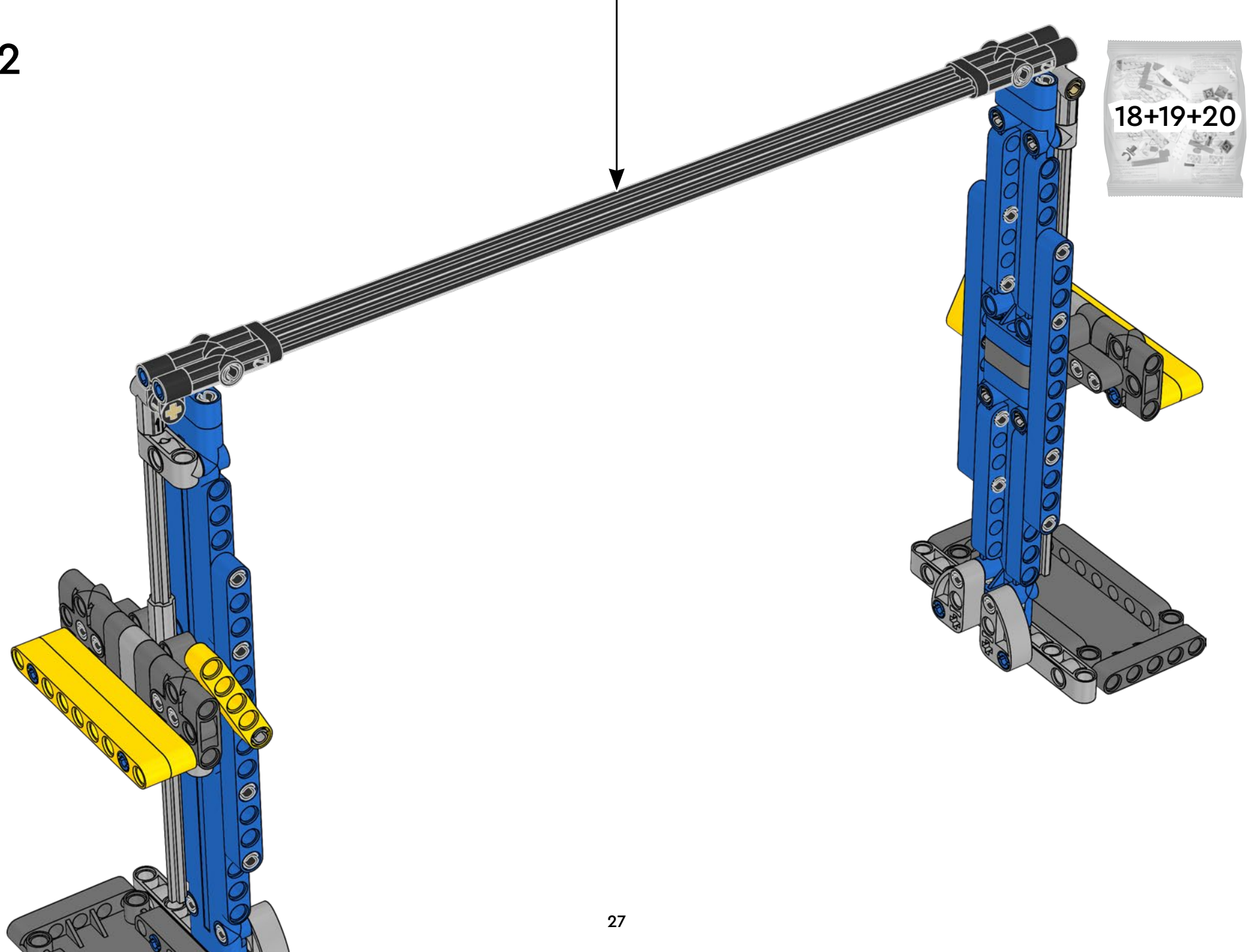


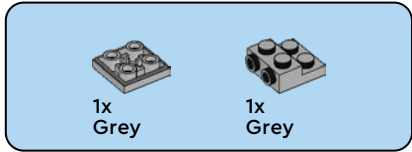
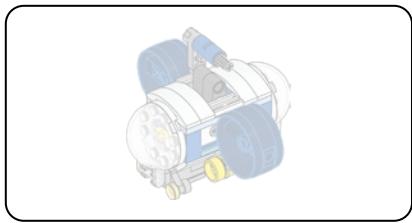
4x  
Blue

31



32

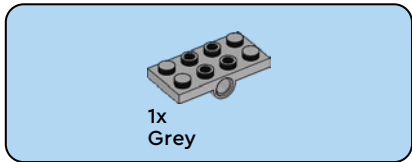
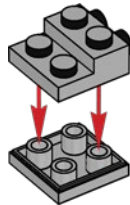




1x  
Grey

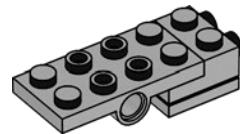
1x  
Grey

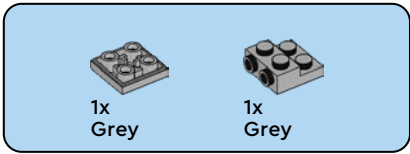
33



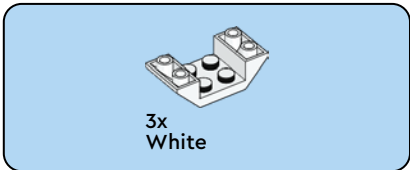
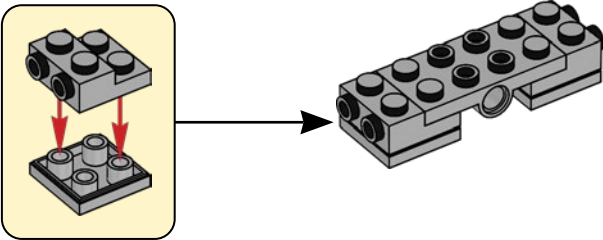
1x  
Grey

34

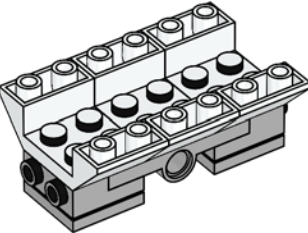




35



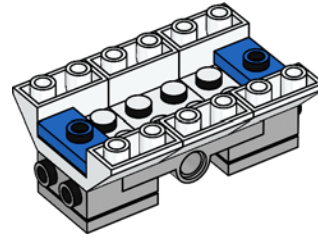
36





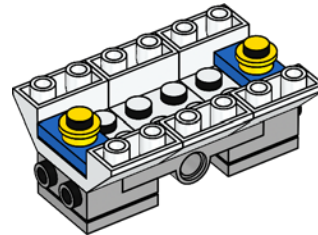
2x  
Blue

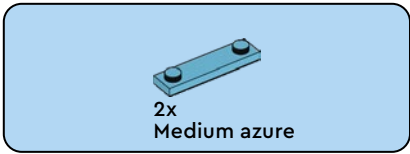
37



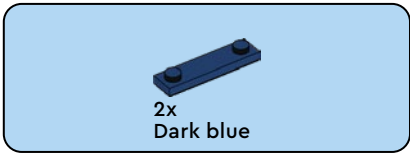
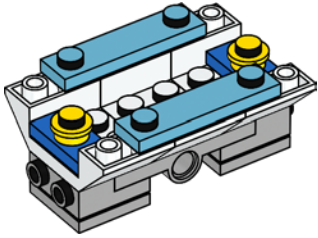
2x  
Yellow

38

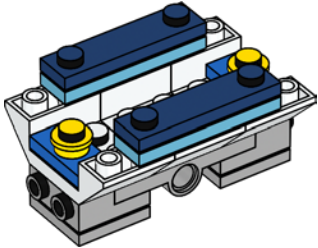






39



40

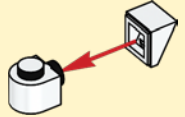


			
2x White	2x Yellow	2x Red	2x White

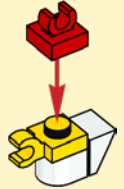


41

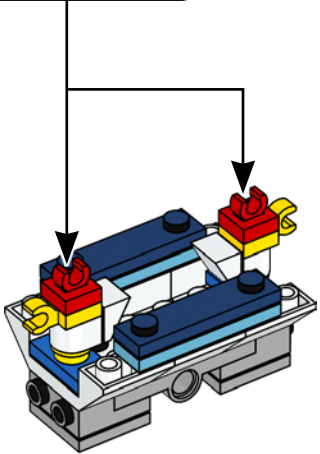
1



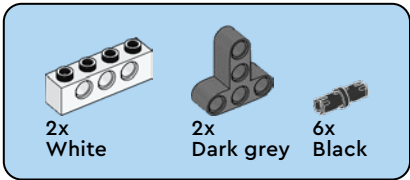
2



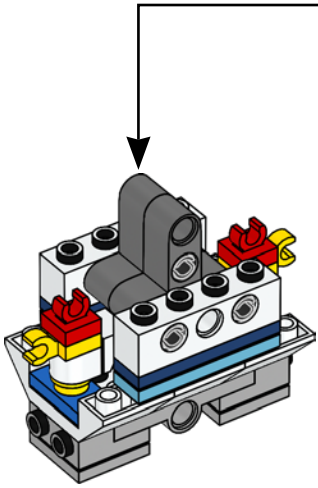
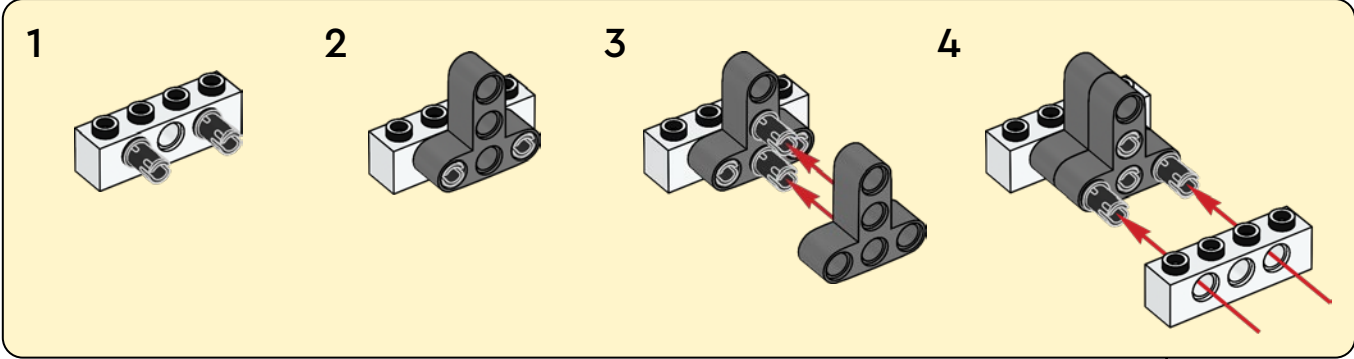
2x







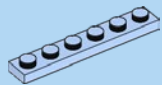
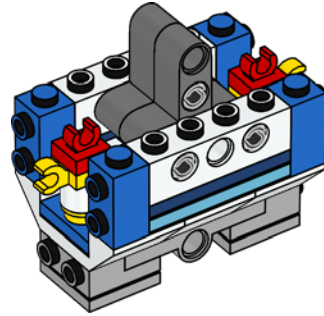
42





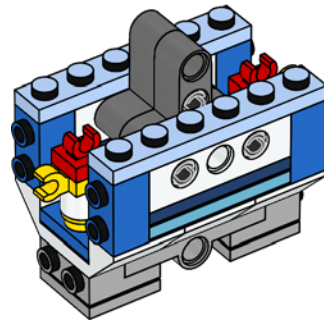
4x  
Blue

43



2x  
Light blue

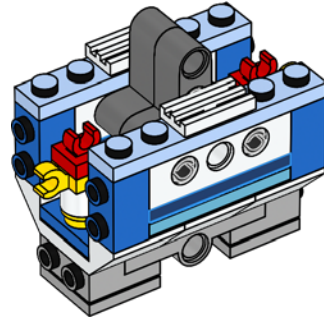
44





2x  
White

45



4x Yellow  
2x Grey



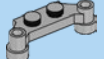


46

1 2 2x

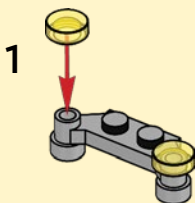
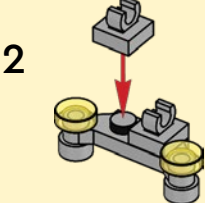
A yellow rectangular box containing two numbered steps. Step 1 shows a grey axle being inserted into a grey connector. Step 2 shows a yellow bush being inserted into the grey connector. The number "2x" is at the bottom right of the box.

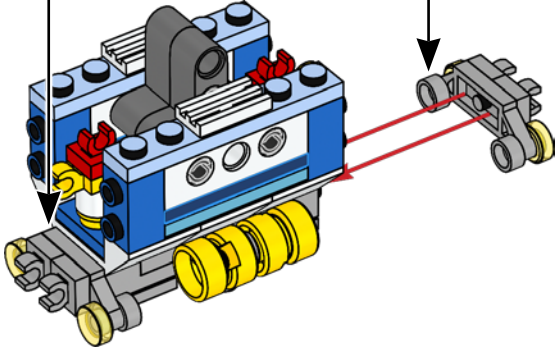
A 3D perspective view of a LEGO mechanism. A yellow bush is being attached to a grey connector on top of the mechanism. A red arrow points from the bush to the connector. A black arrow points from the sub-assembly box to the connector. Another black arrow points to a yellow bush already attached to the bottom of the mechanism.

 4x Grey  
 4x Transparent yellow  
 2x Grey



47

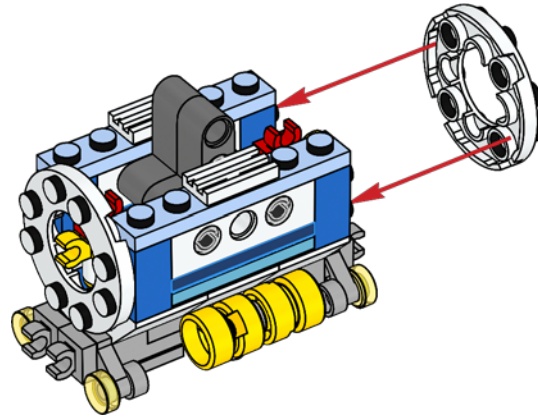
1   
 2  2x

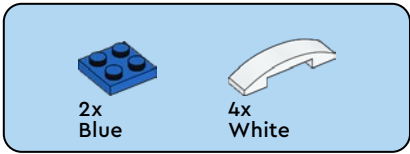




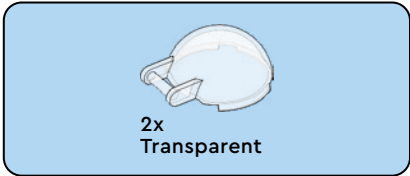
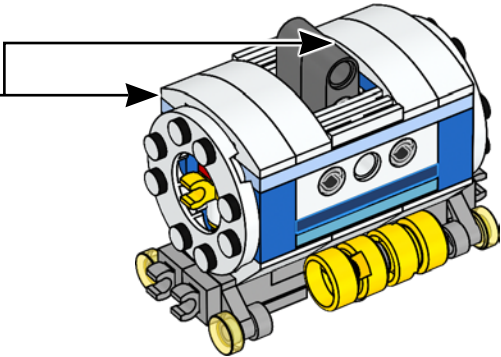
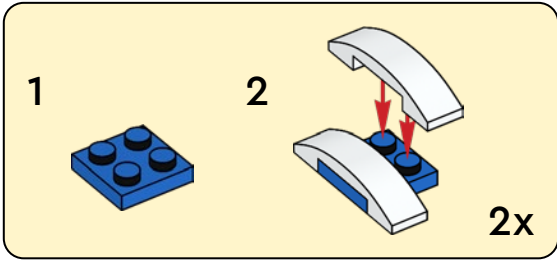
2x  
White

48

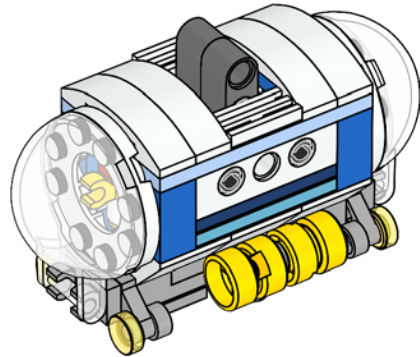


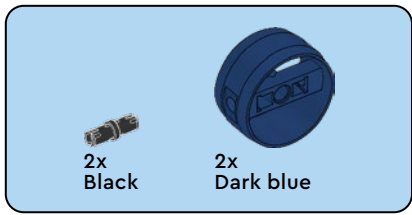


49

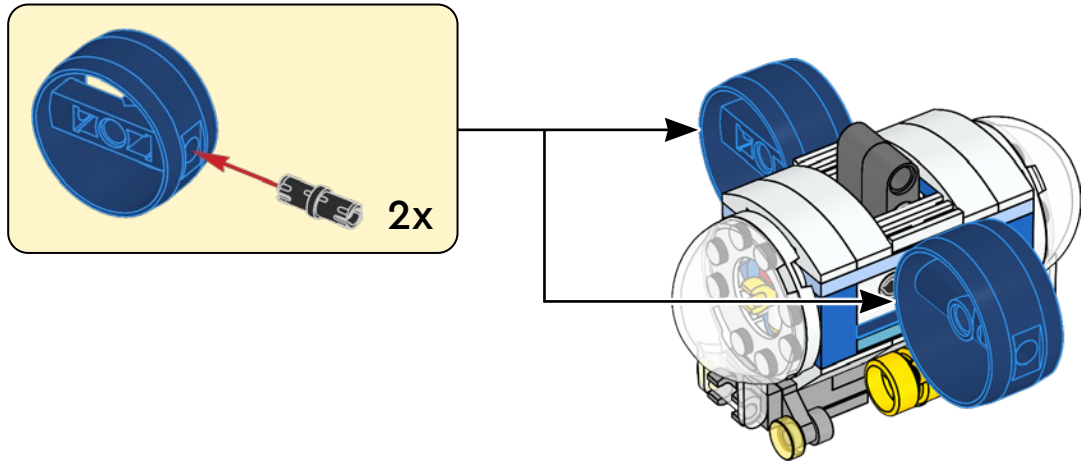


50

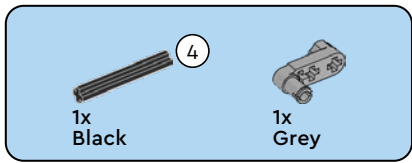




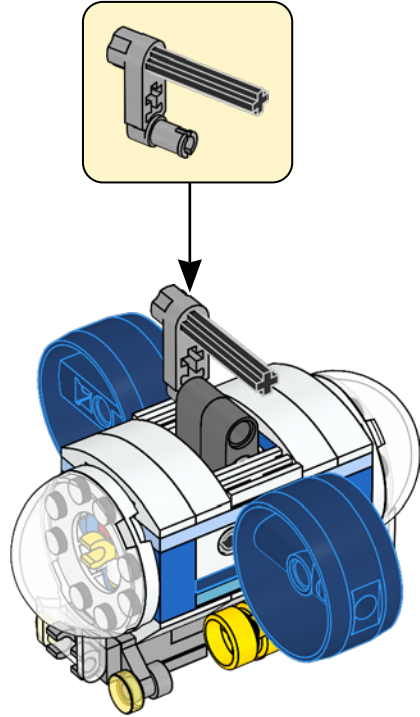
51







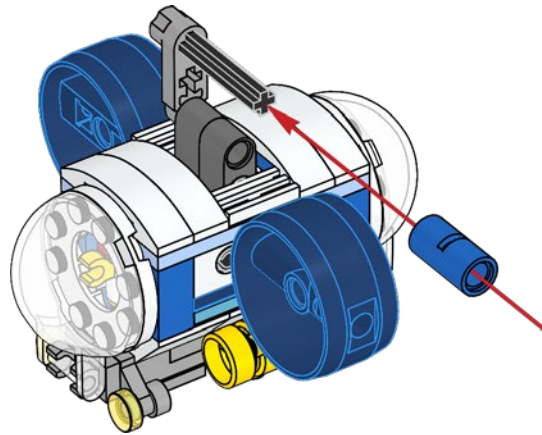
52

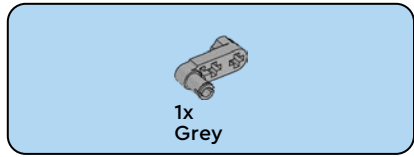




1x  
Blue

53





54

