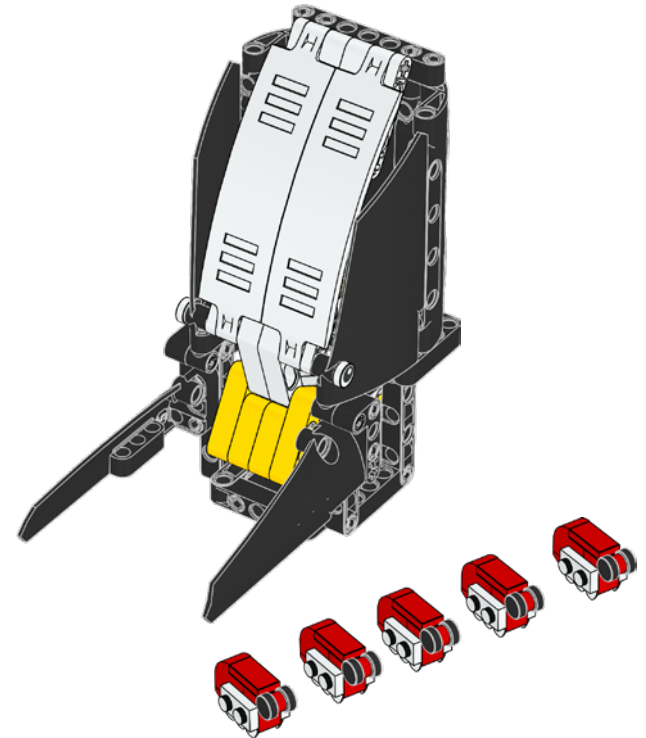
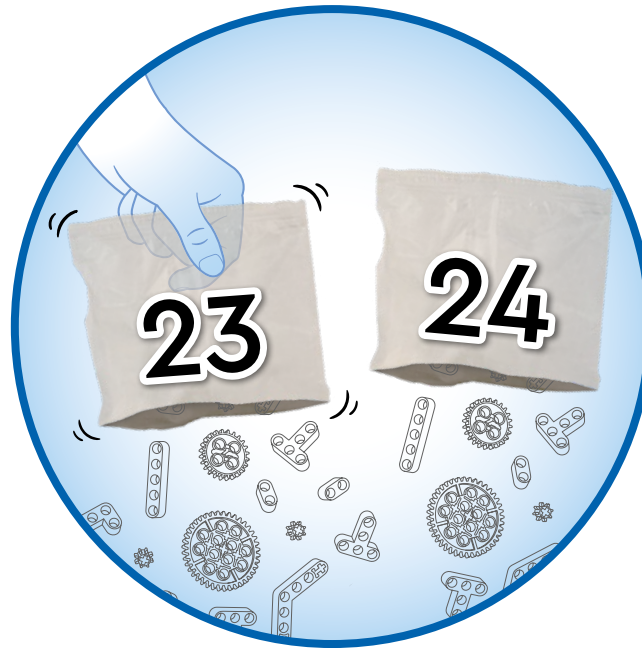
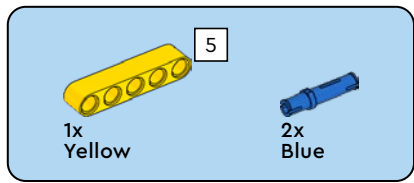


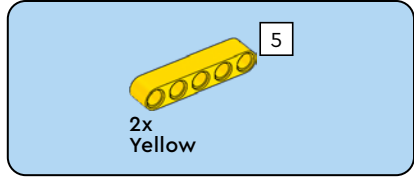
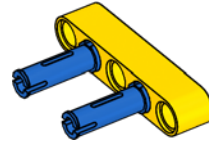
2x  
White



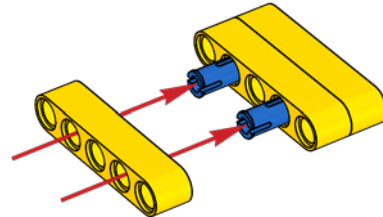
45826

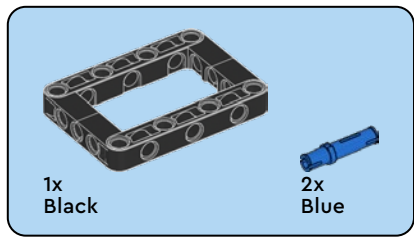


1

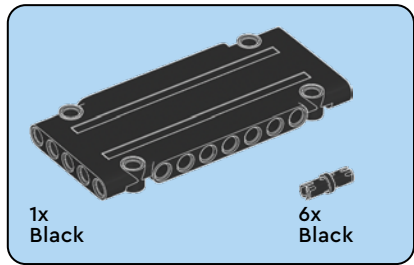
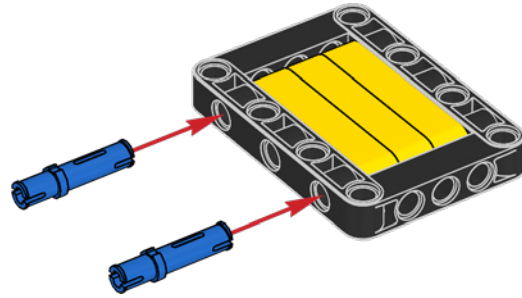


2

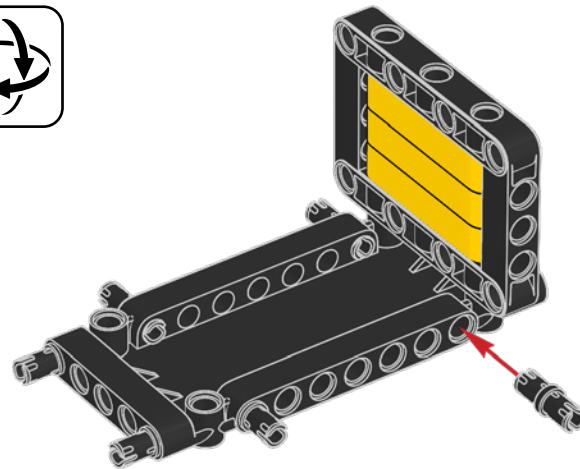
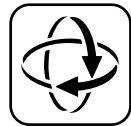


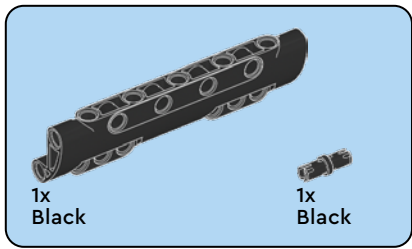


3

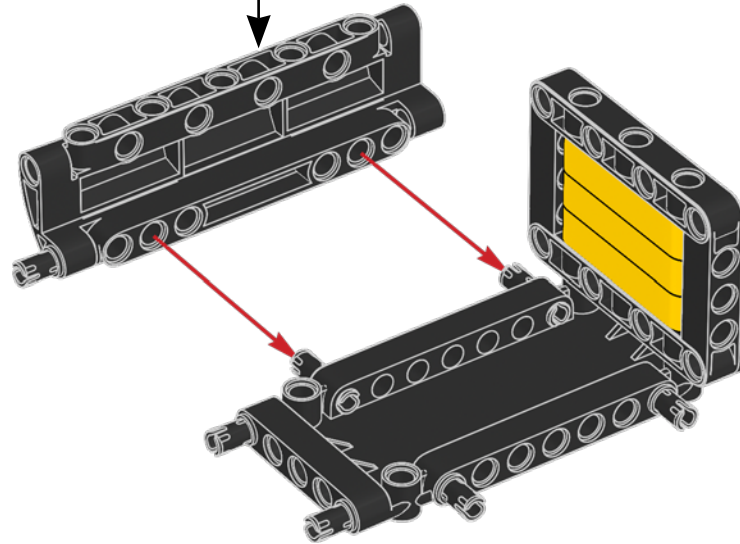
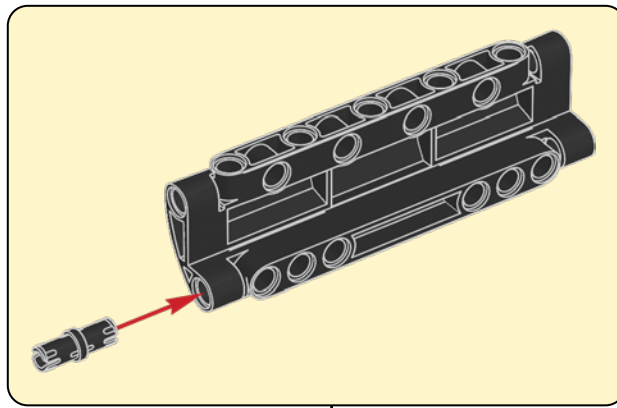


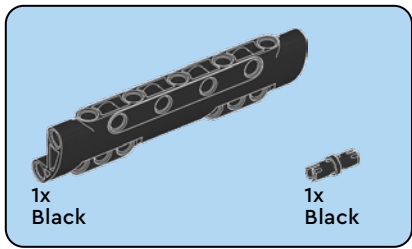
4



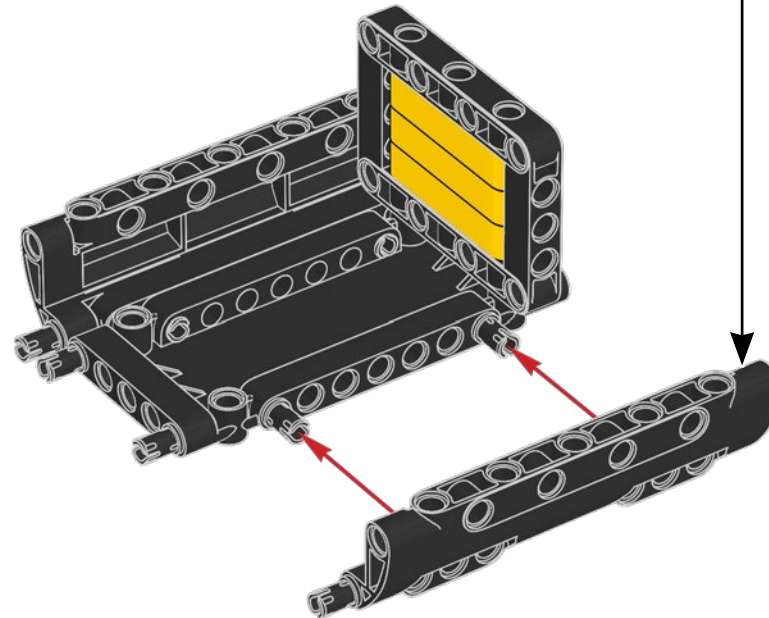
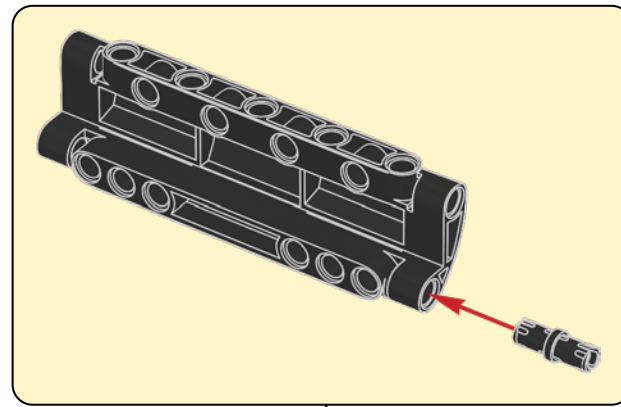


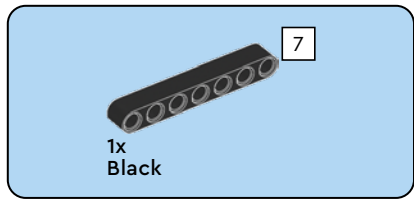
5



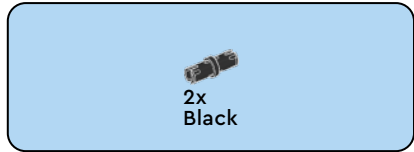
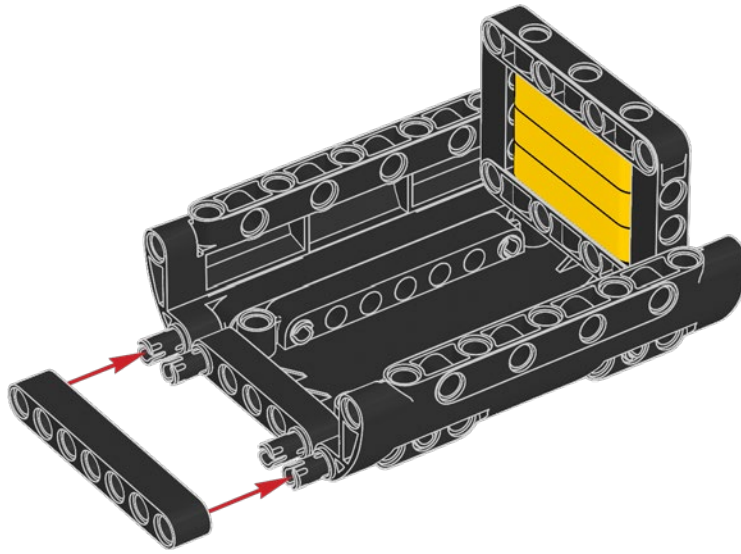


6

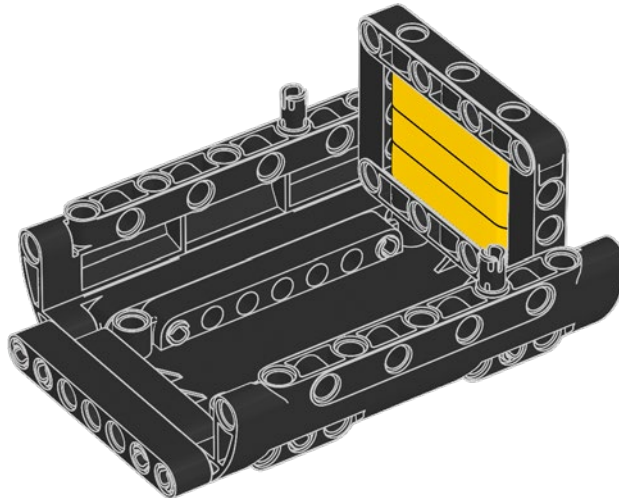


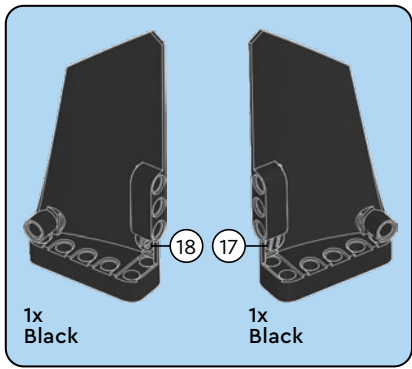


7

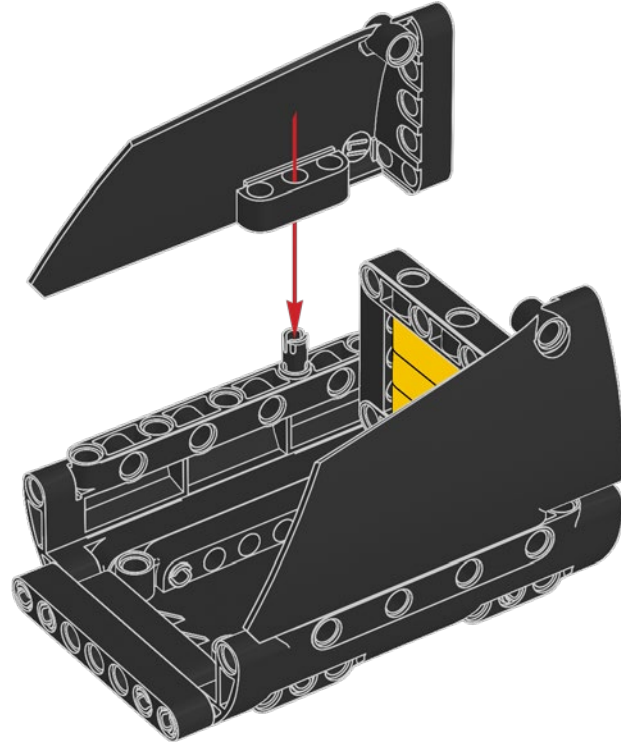


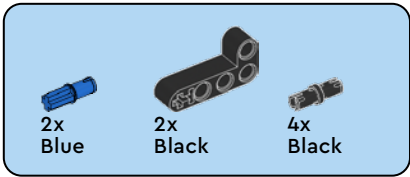
8



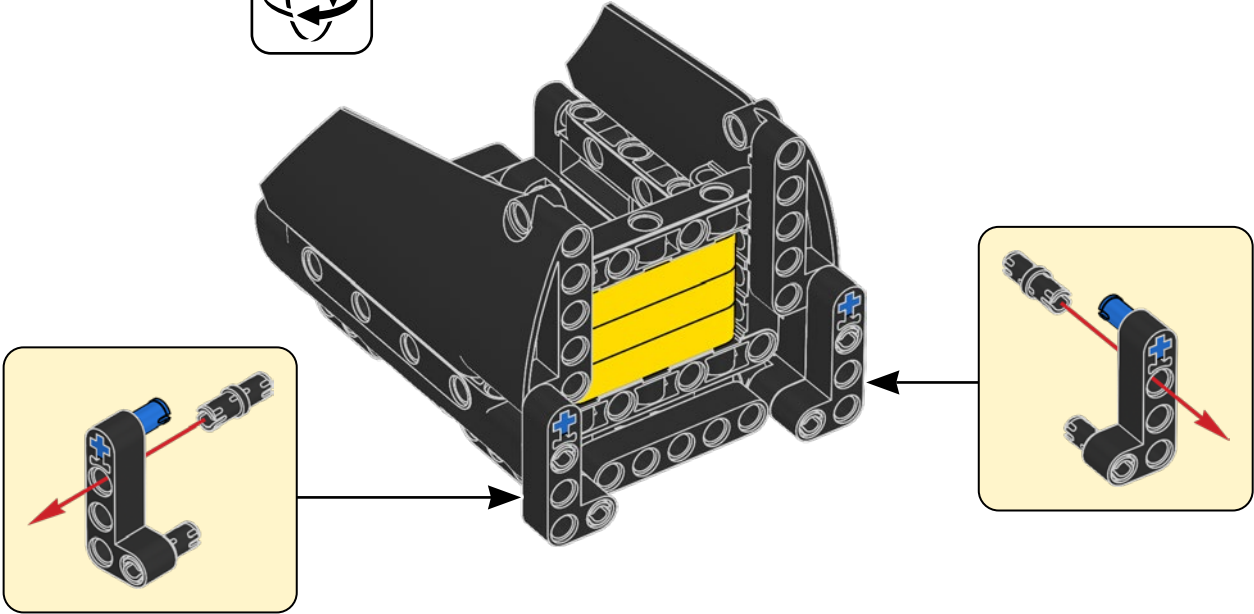


9

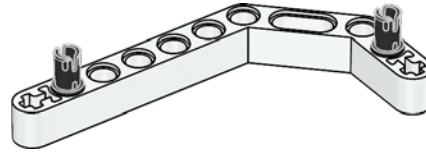
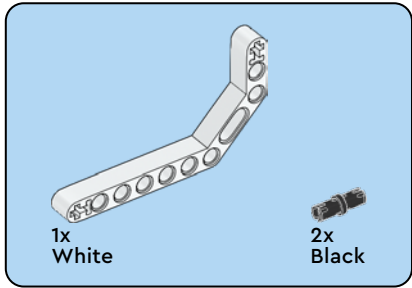
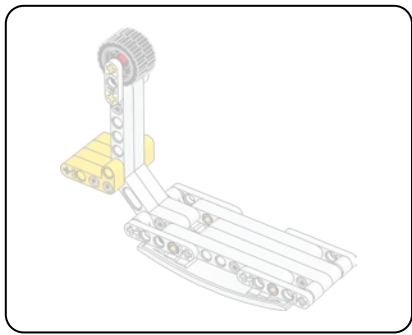




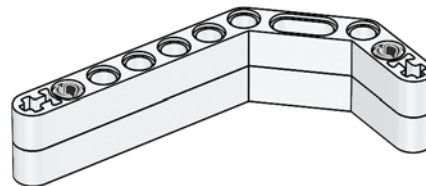
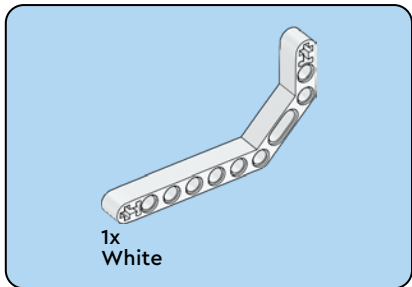
10







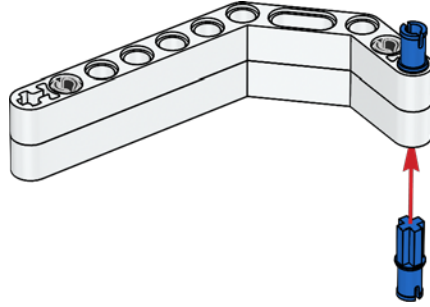
11



12

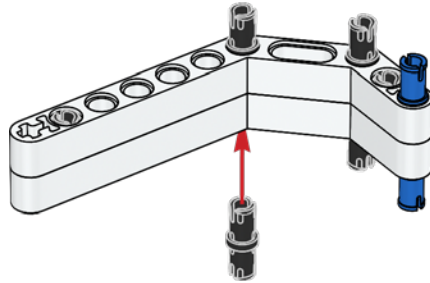
2x  
Blue

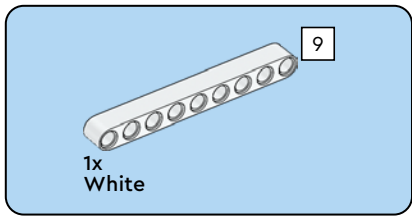
13



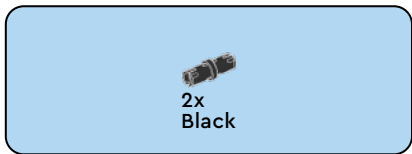
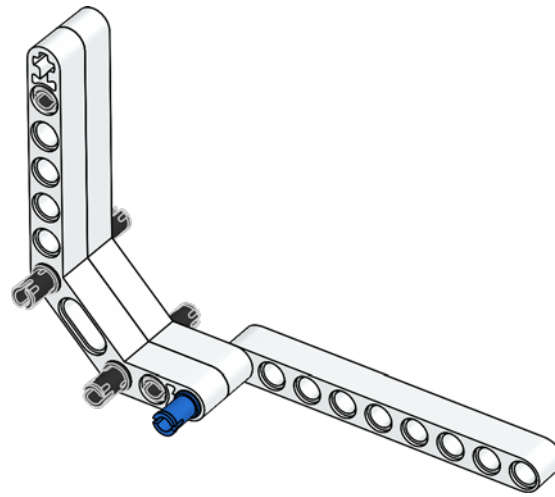
4x  
Black

14

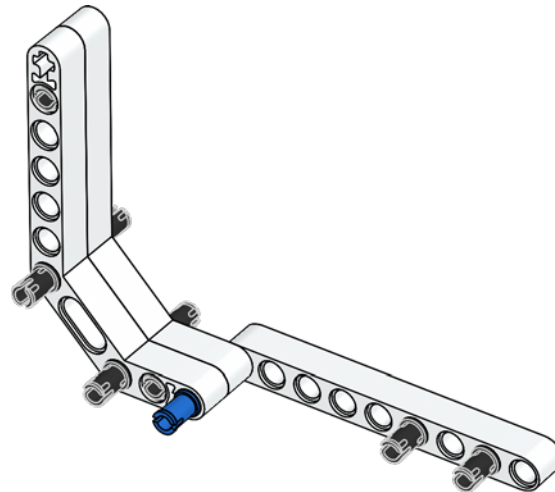


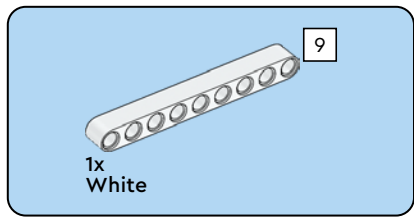


15

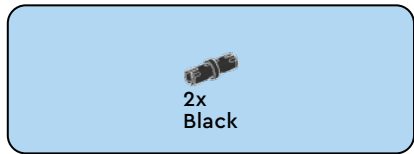
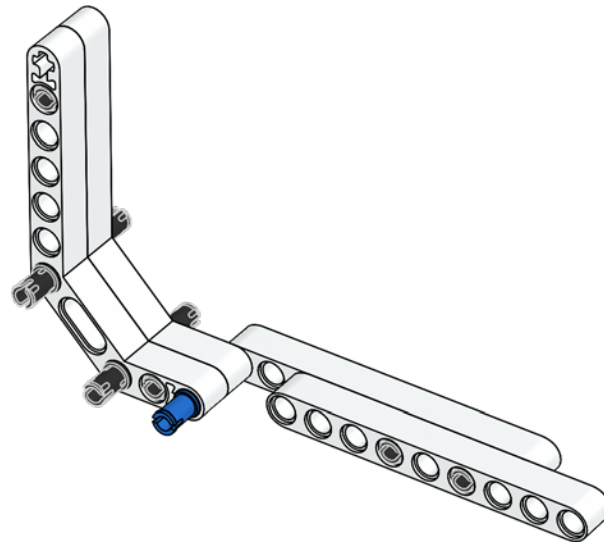


16

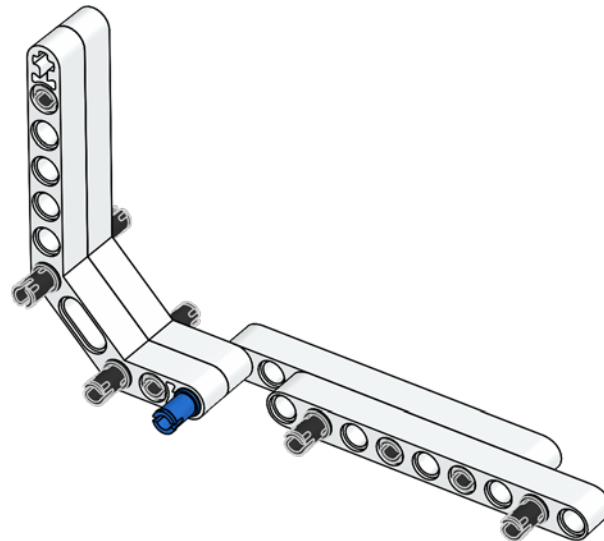


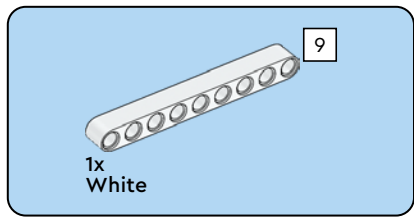


17

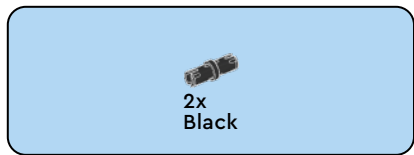
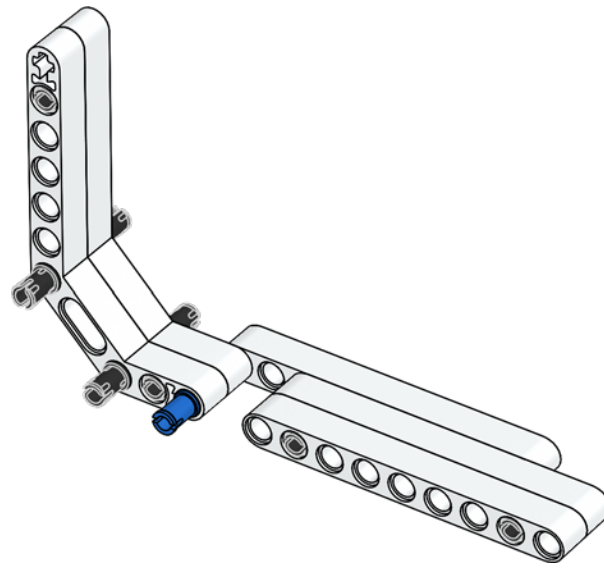


18

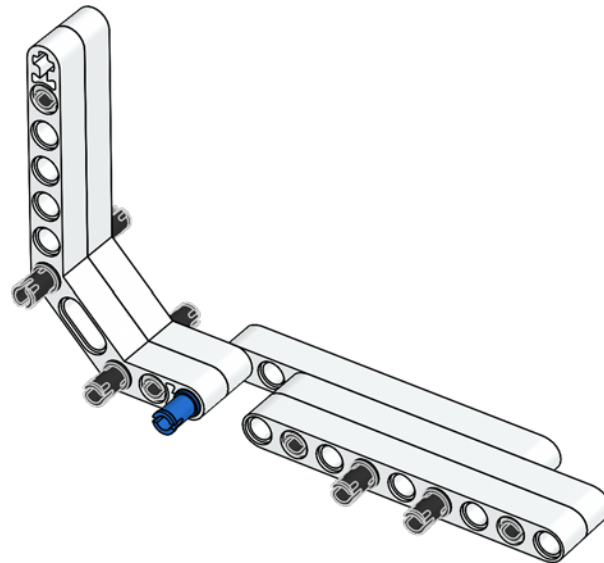


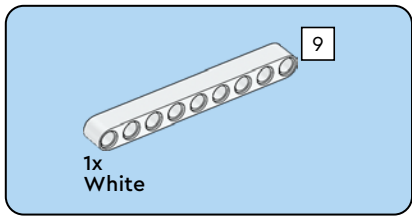


19

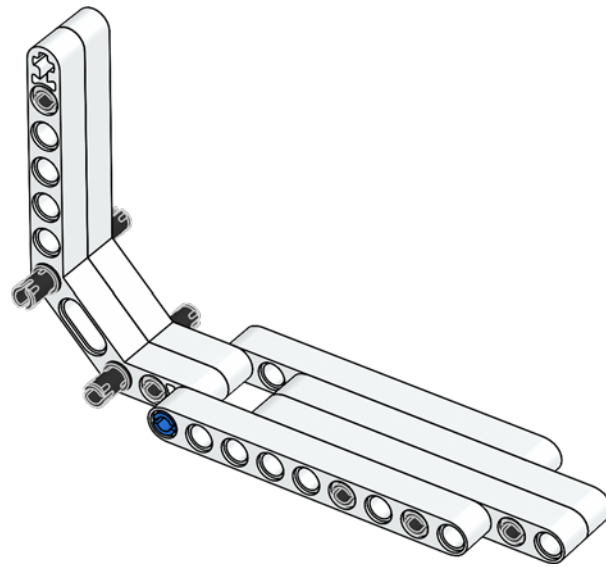


20

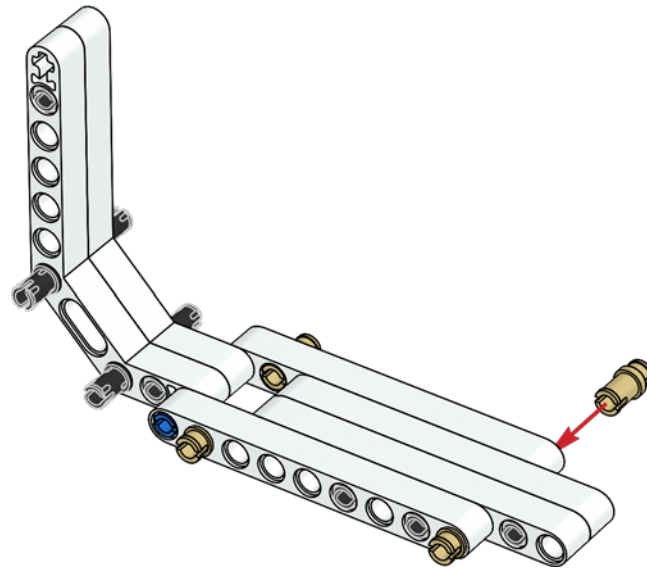


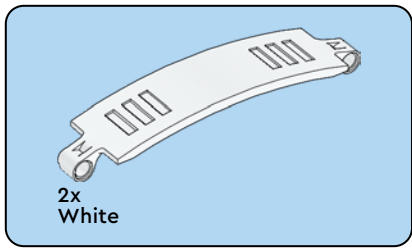


21

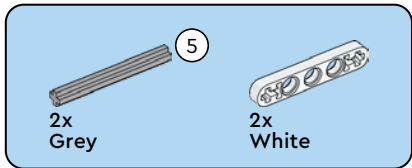
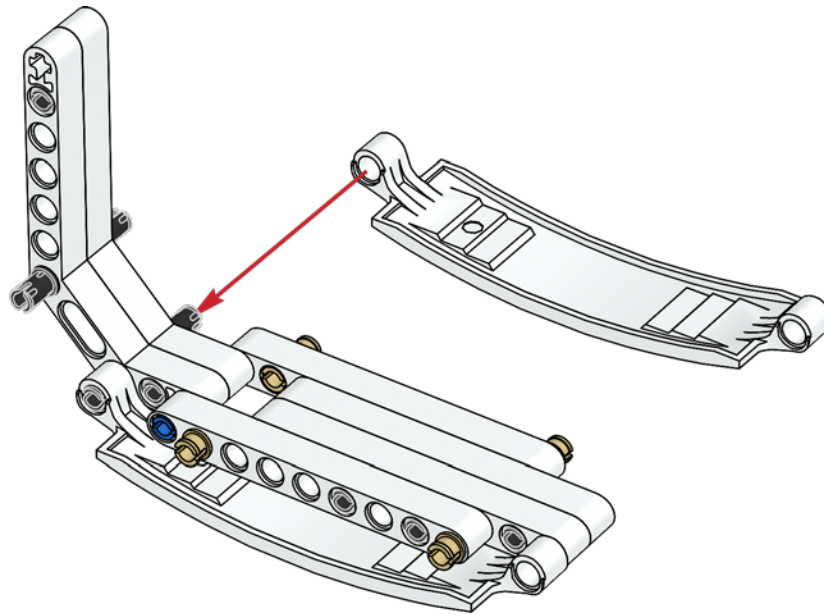


22

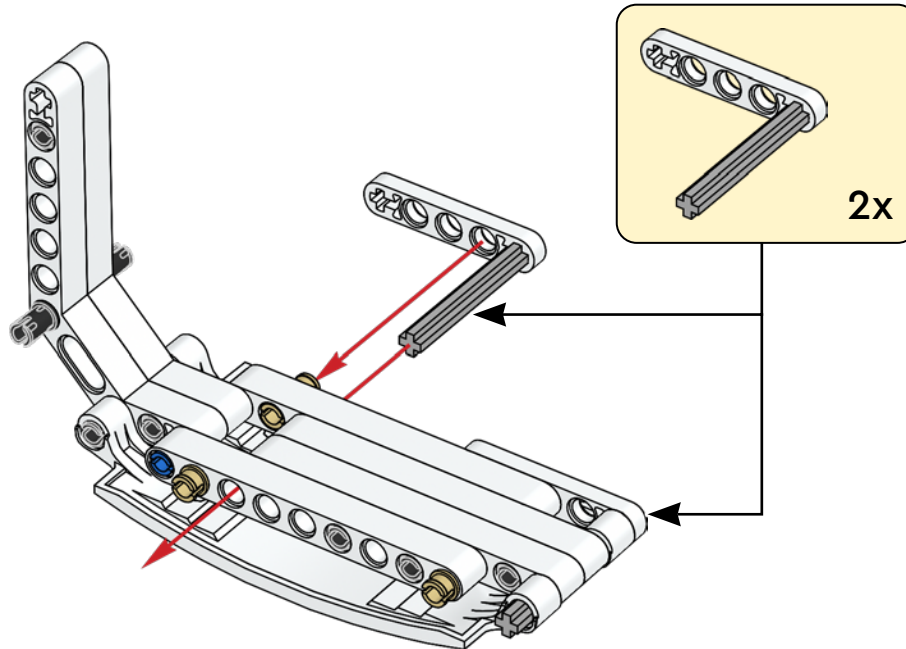


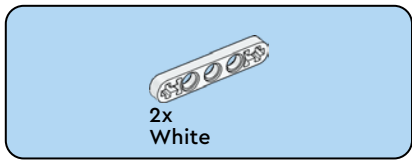


23

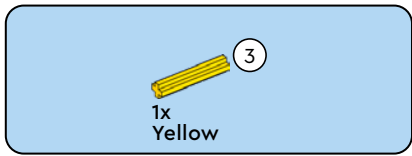
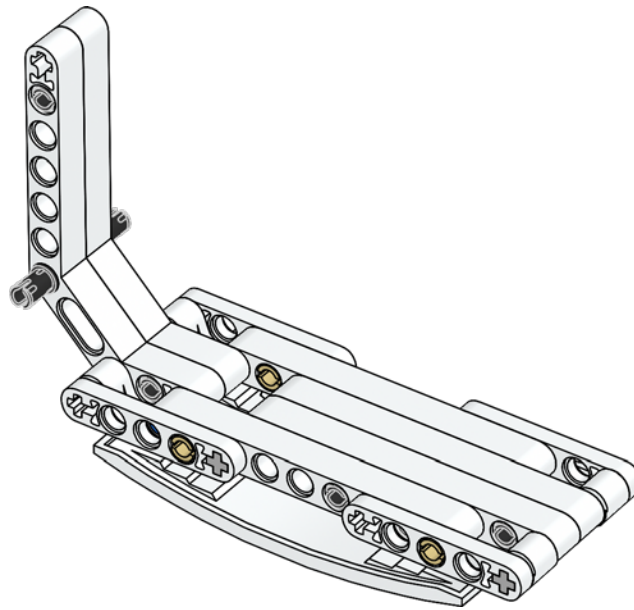


24

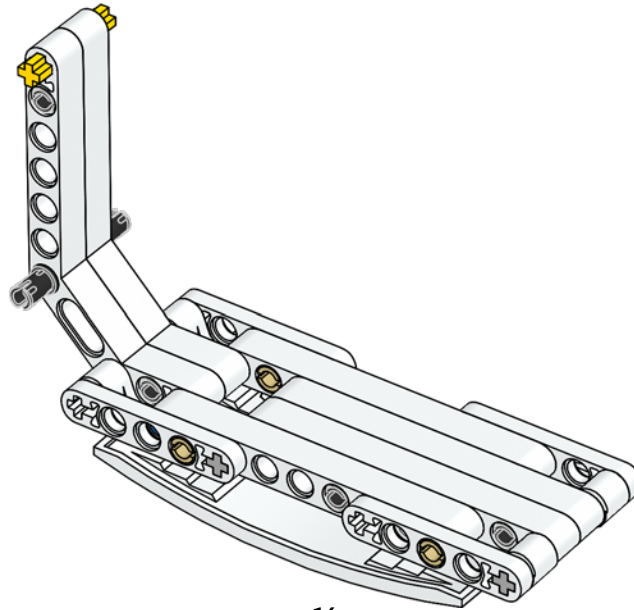




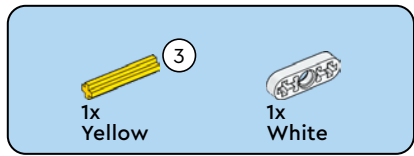
25



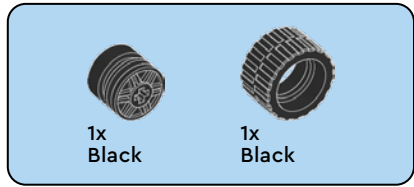
26



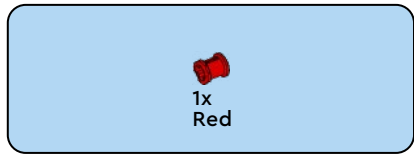
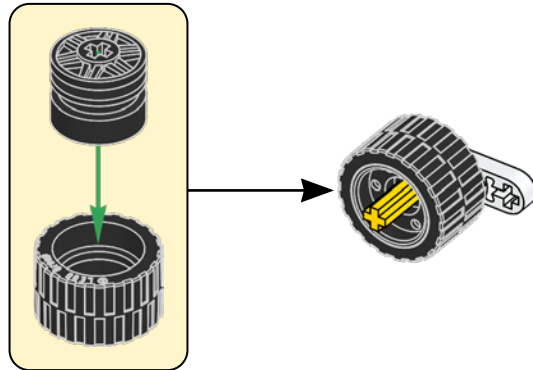




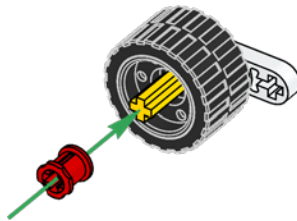
27



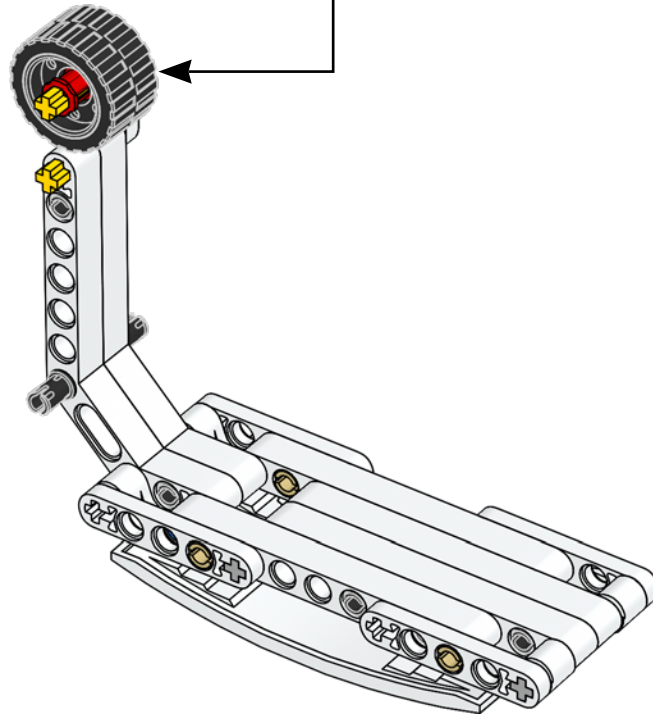
28

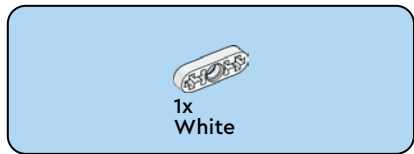


29

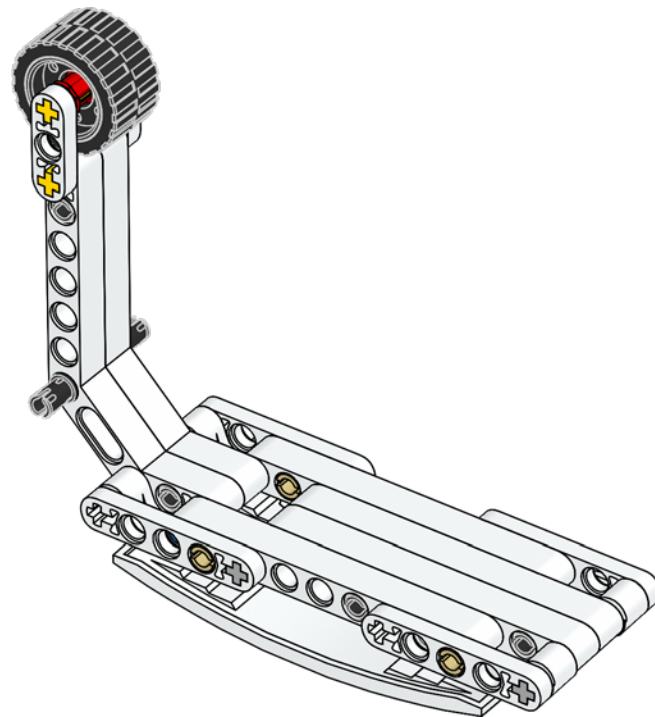
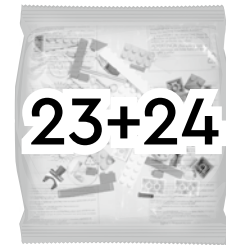


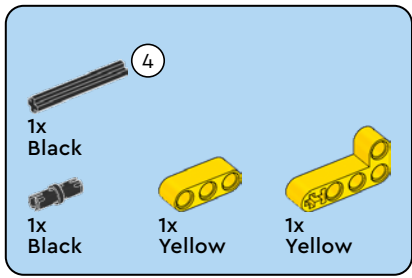
30



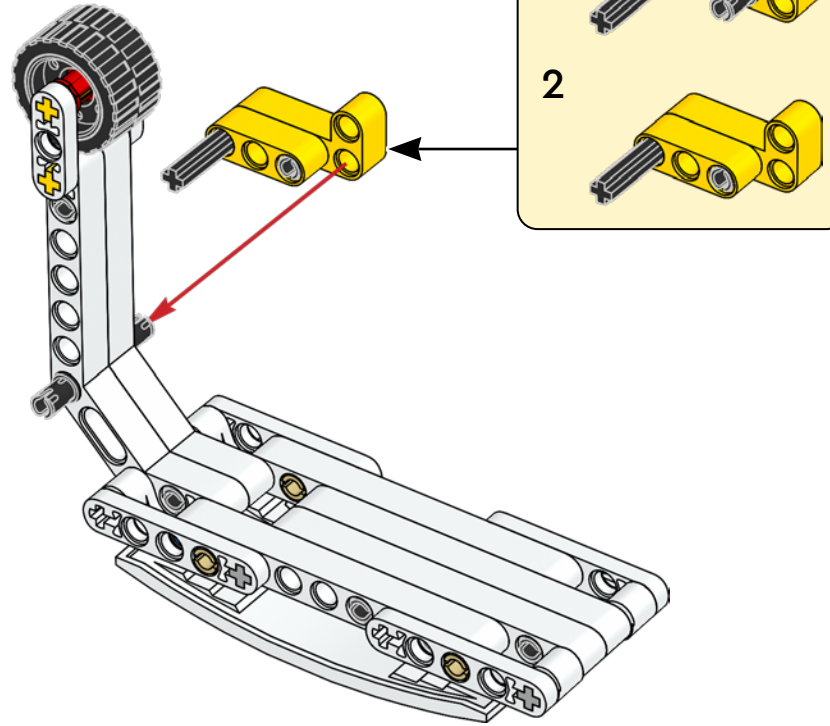


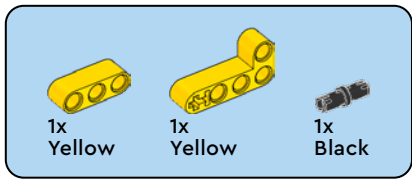
31



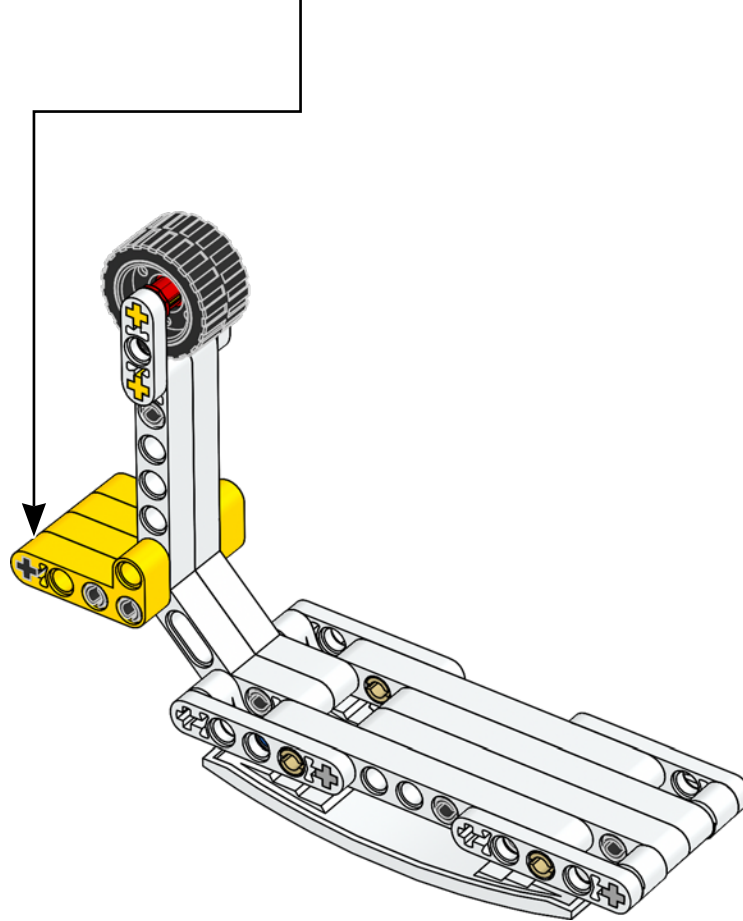
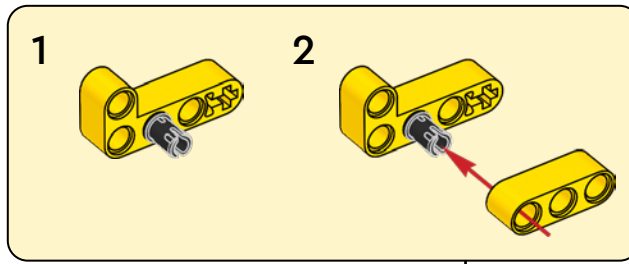


32



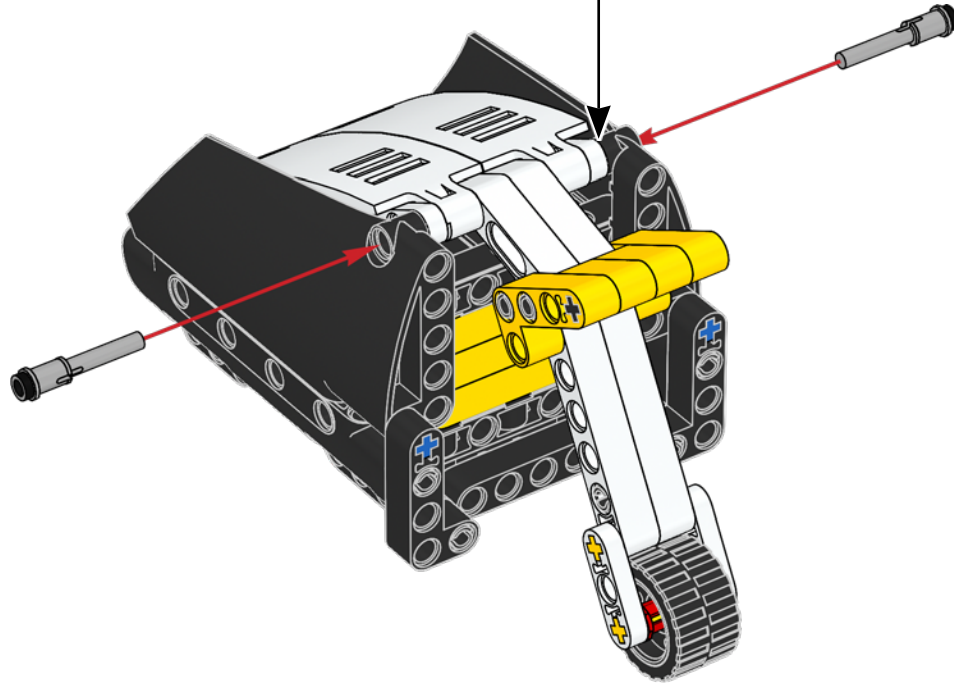


33



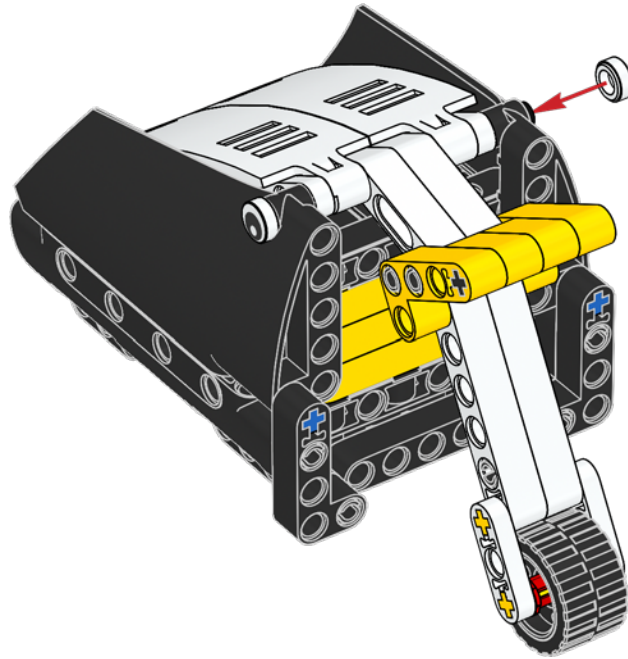


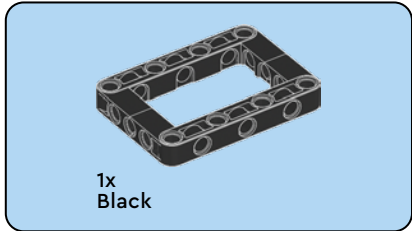
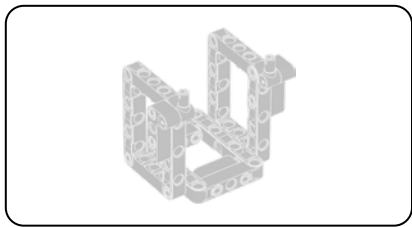
34



  
2x  
White

35

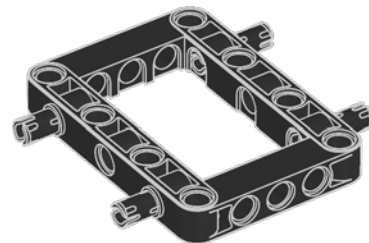
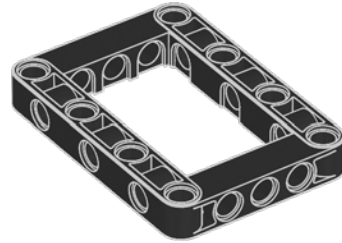




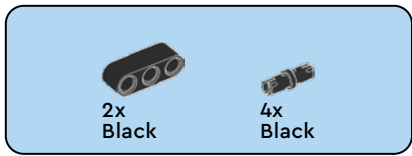
36



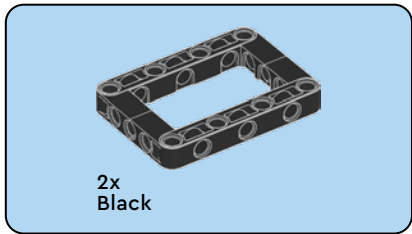
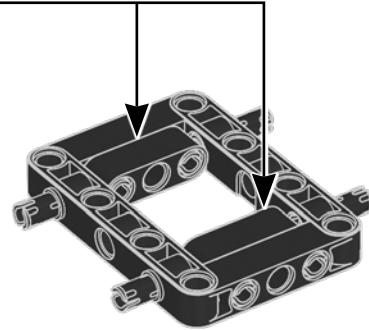
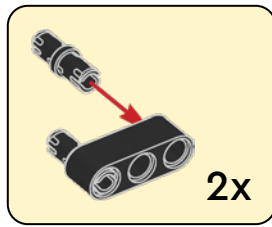
37



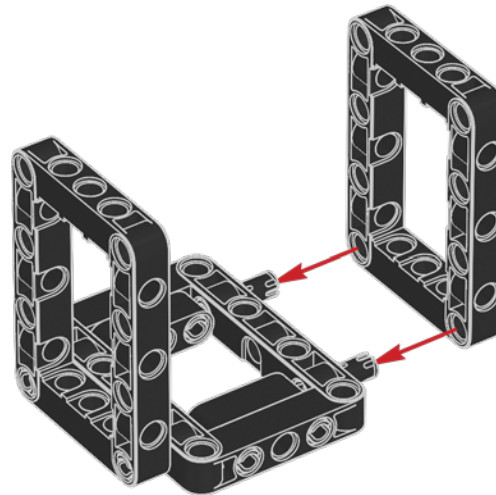




38

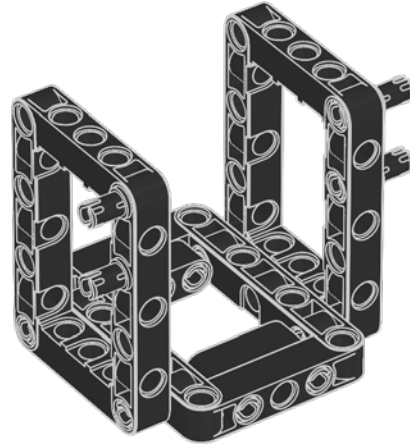


39



4x  
Black

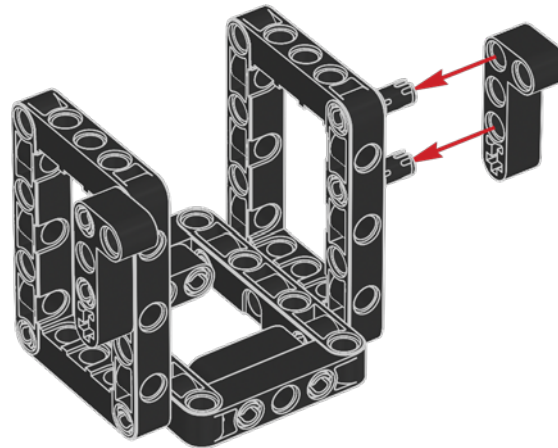
40

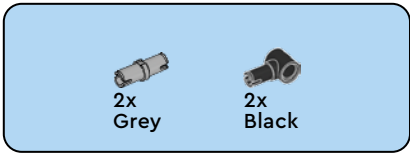


23+24

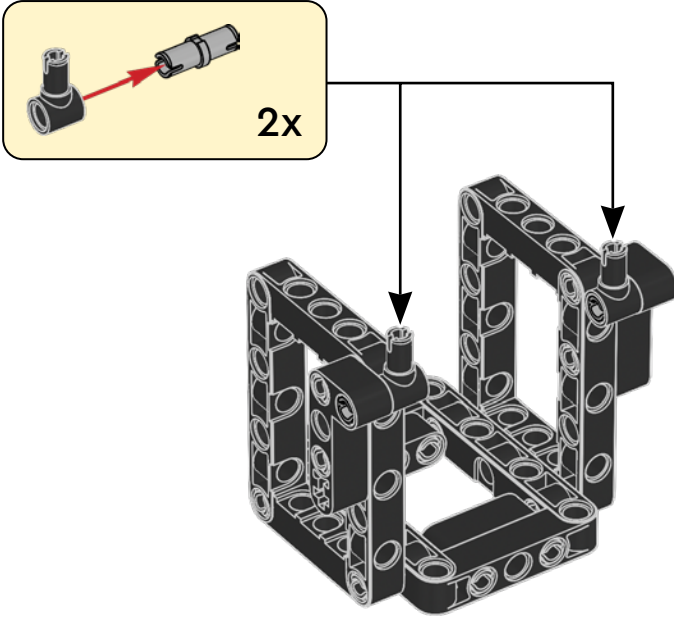
2x  
Black

41

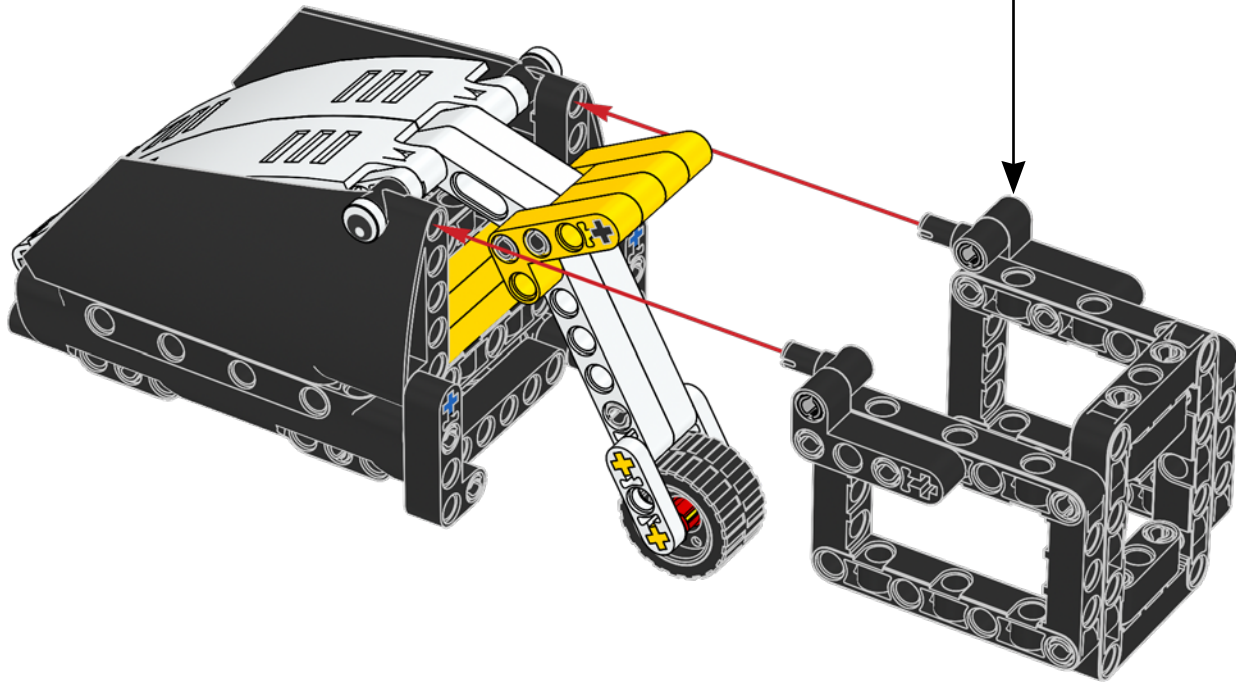


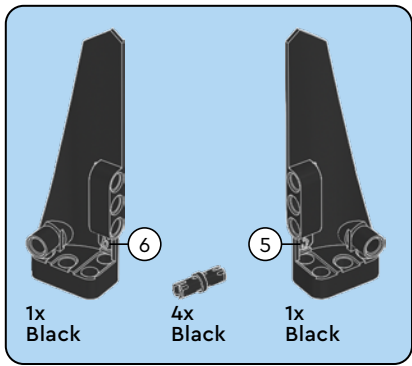


42

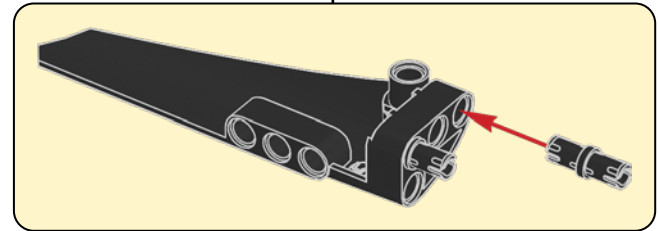
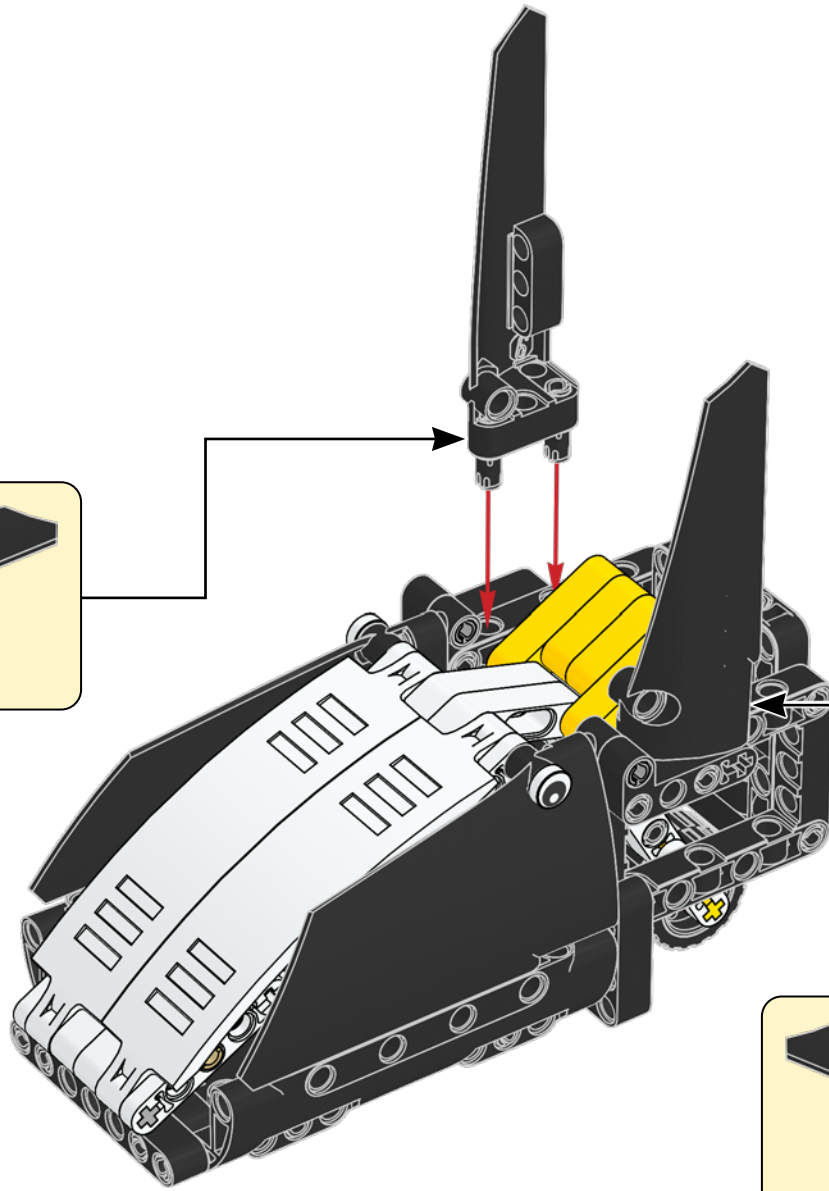
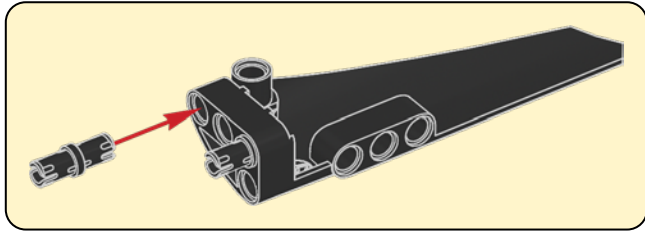


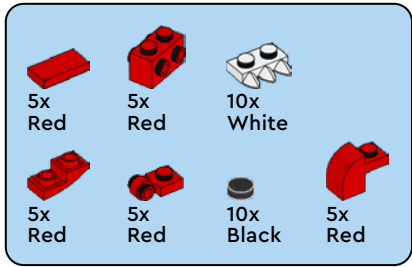
43



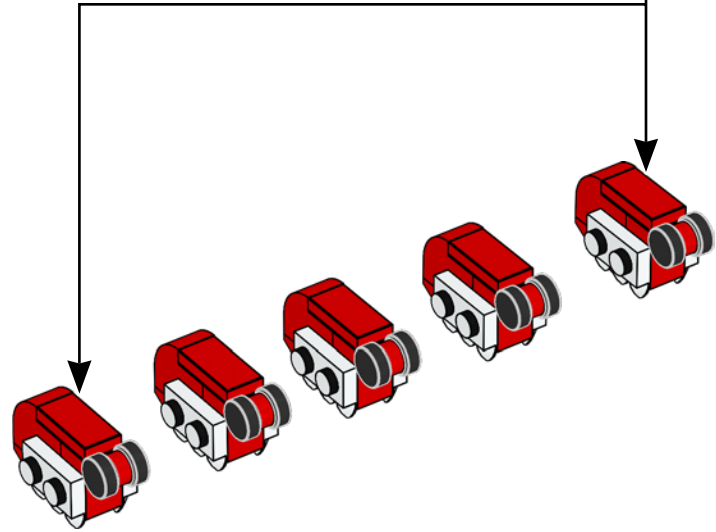
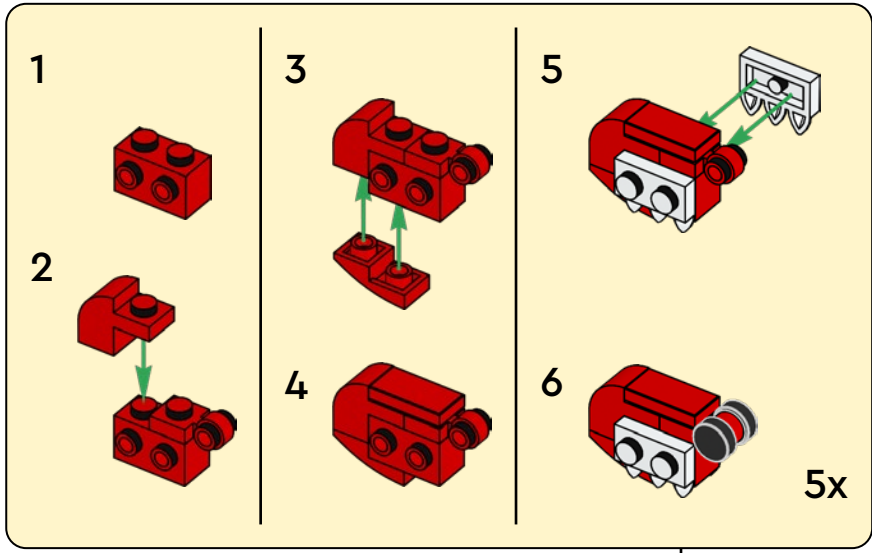


44





45



LEGO and the LEGO logo are trademarks of the/son des marques de commerce du/son marcas registradas de LEGO Group.  
 ©2024 The LEGO Group.  
 FIRST™ is a trademark of For Inspiration and Recognition of Science and Technology (FIRST). LEGO® is a trademark of the LEGO Group.  
 FIRST™ LEGO® League and SUBMERGED™ are jointly held trademarks of FIRST and the LEGO Group.  
 ©2024 FIRST and the LEGO Group. All rights reserved.