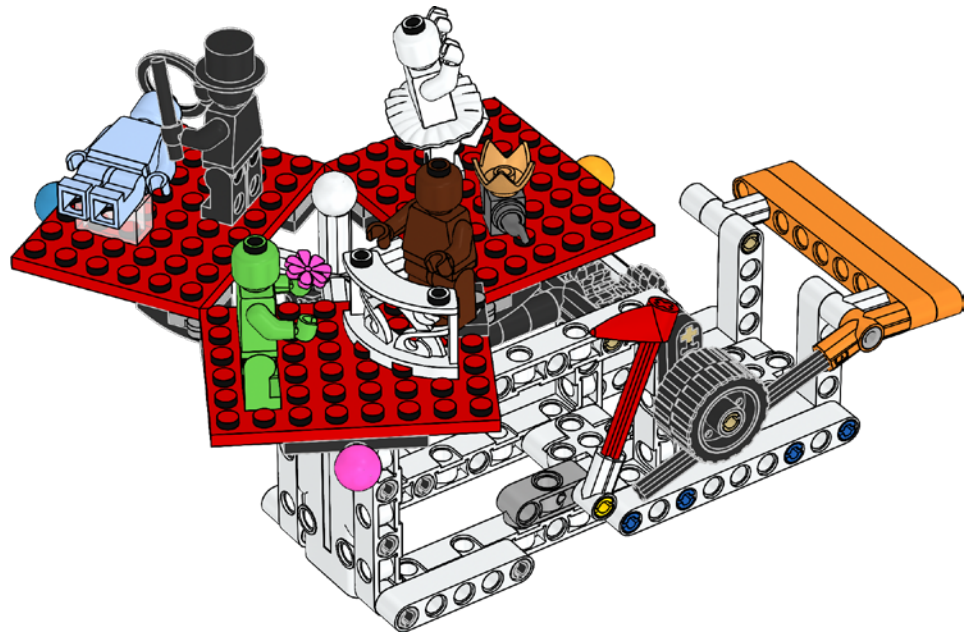
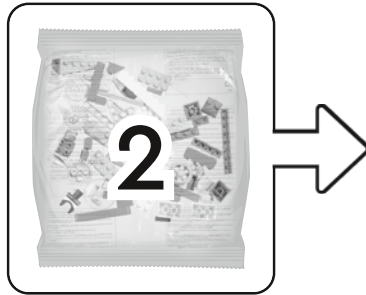
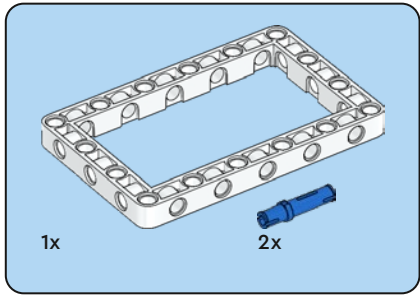
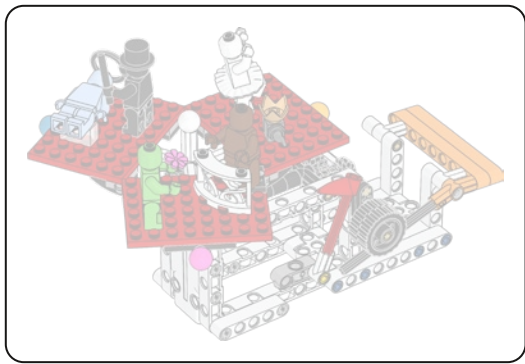


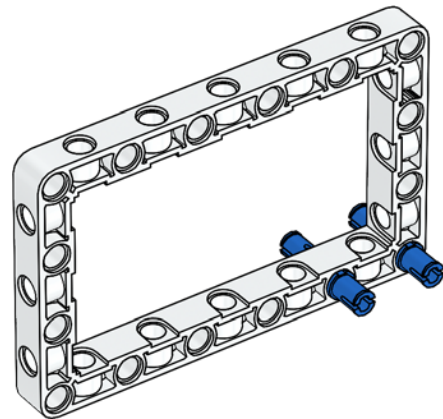
2x



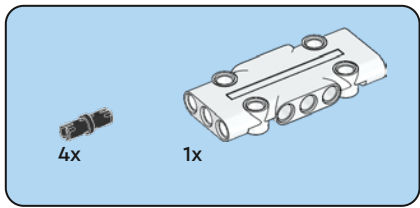
45823



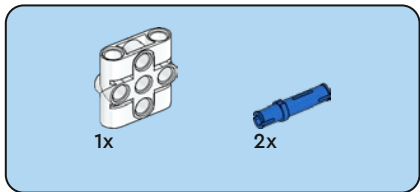
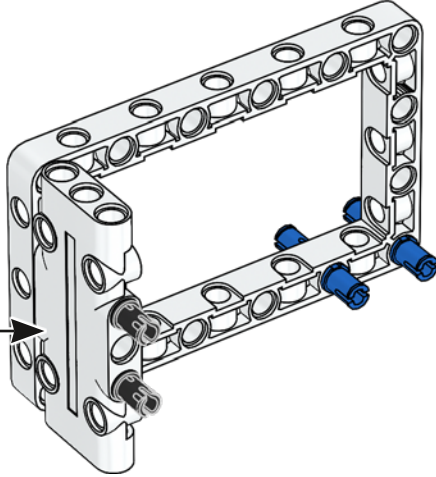
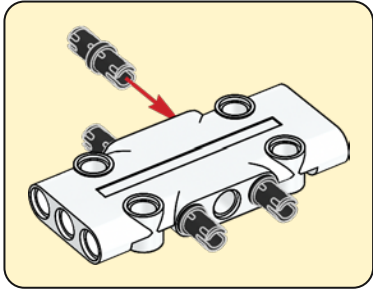
1



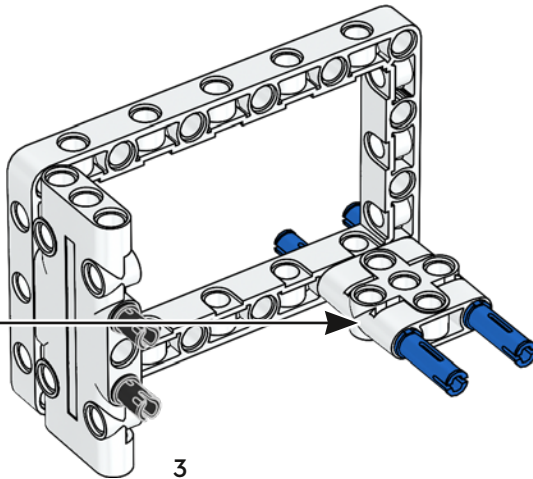
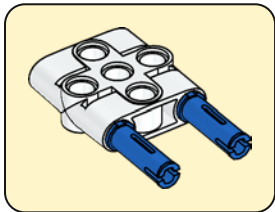
2



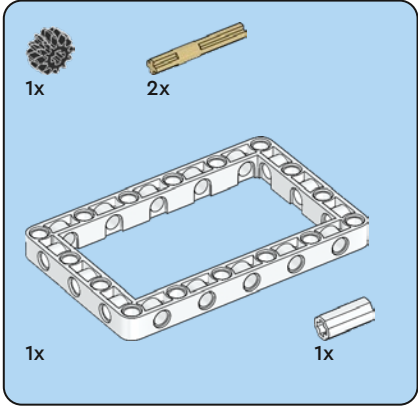
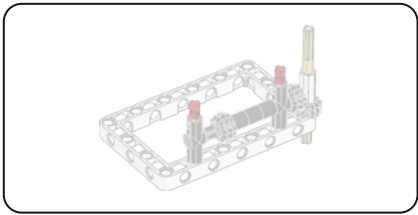
2



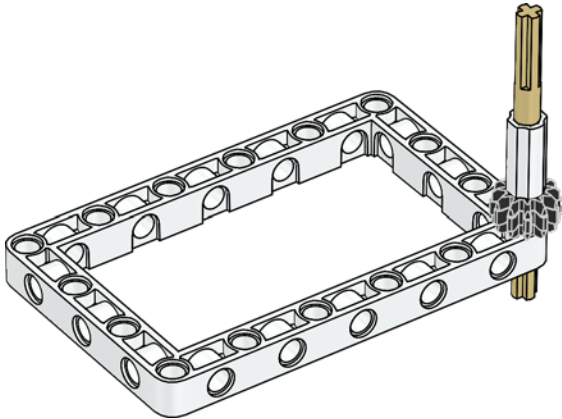
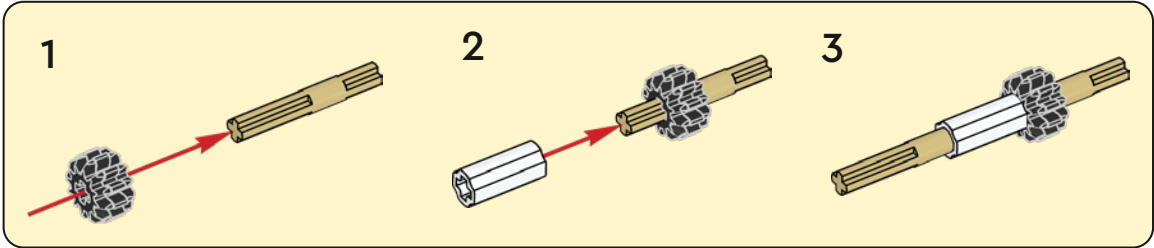
3



3

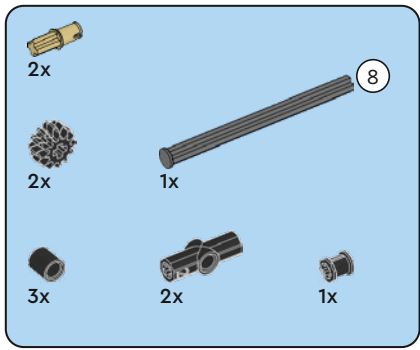


4

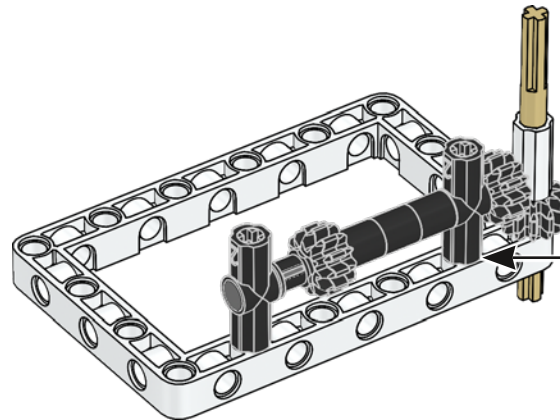
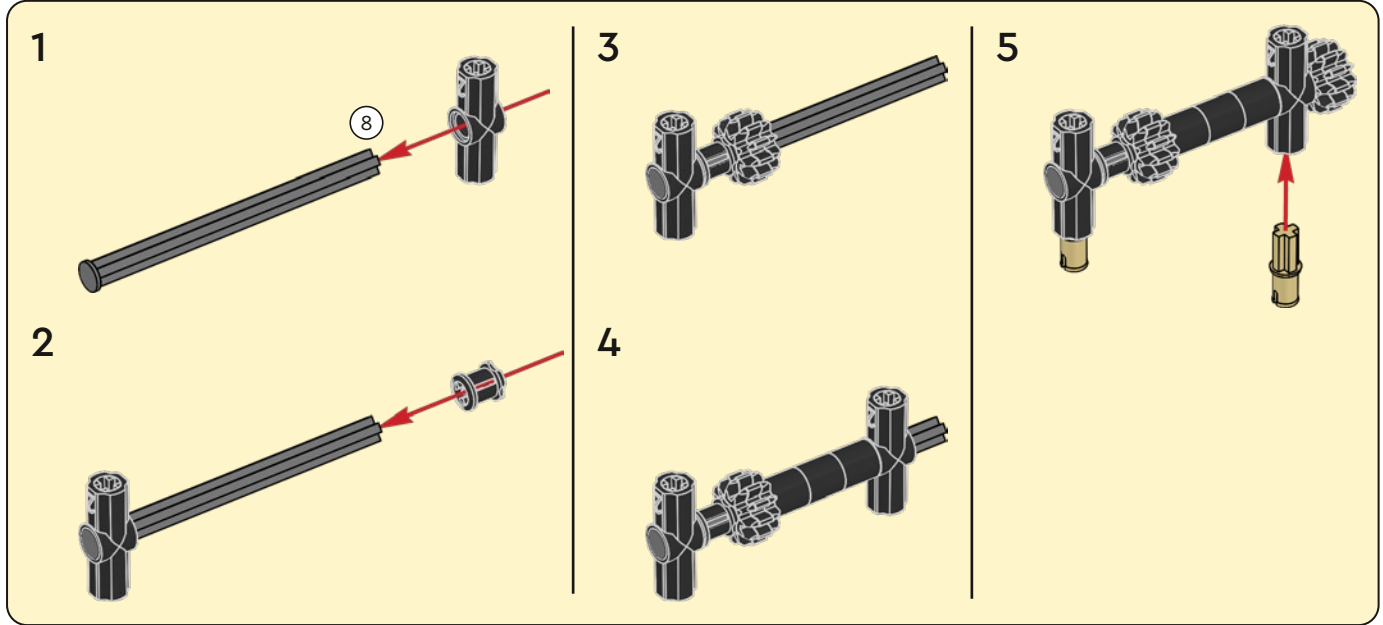


4





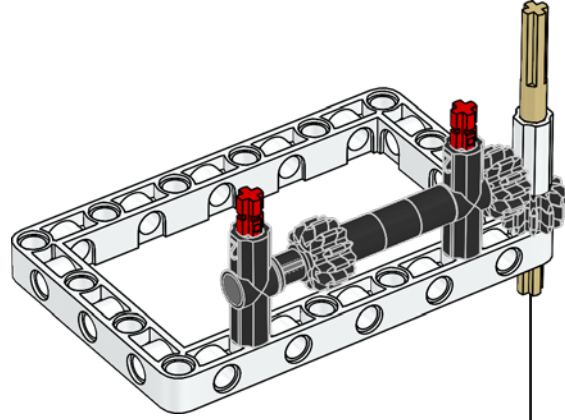
5



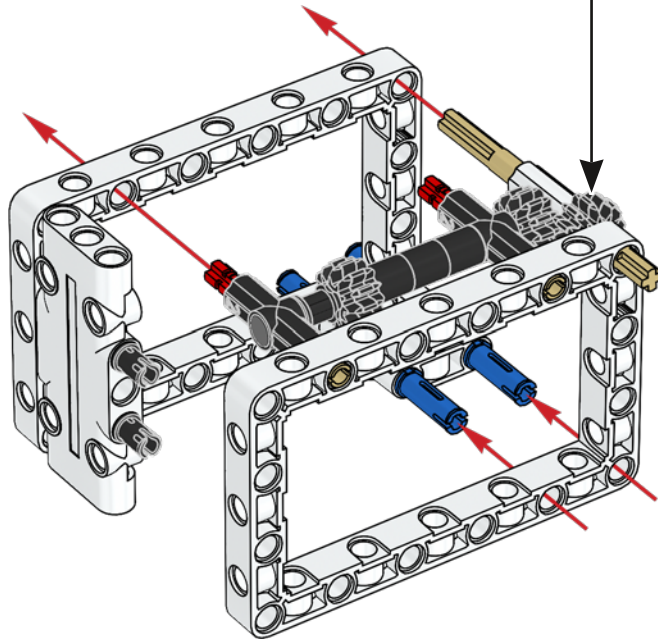
5

2x

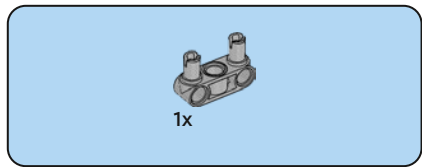
6



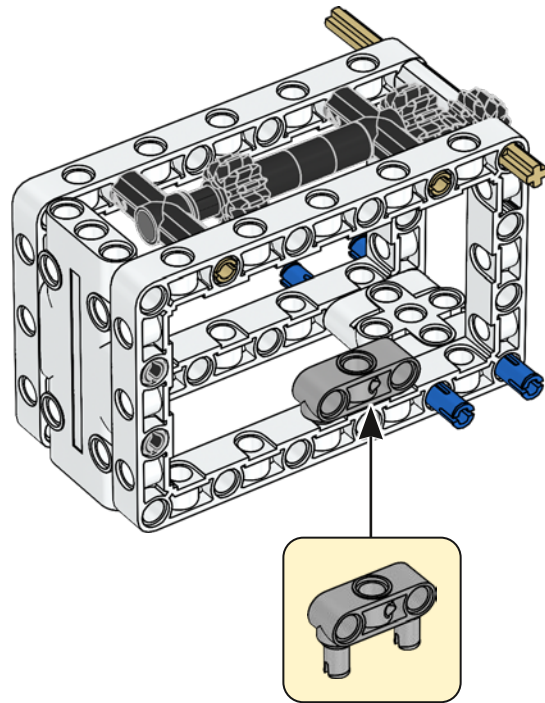
7

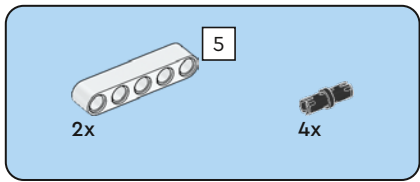


6

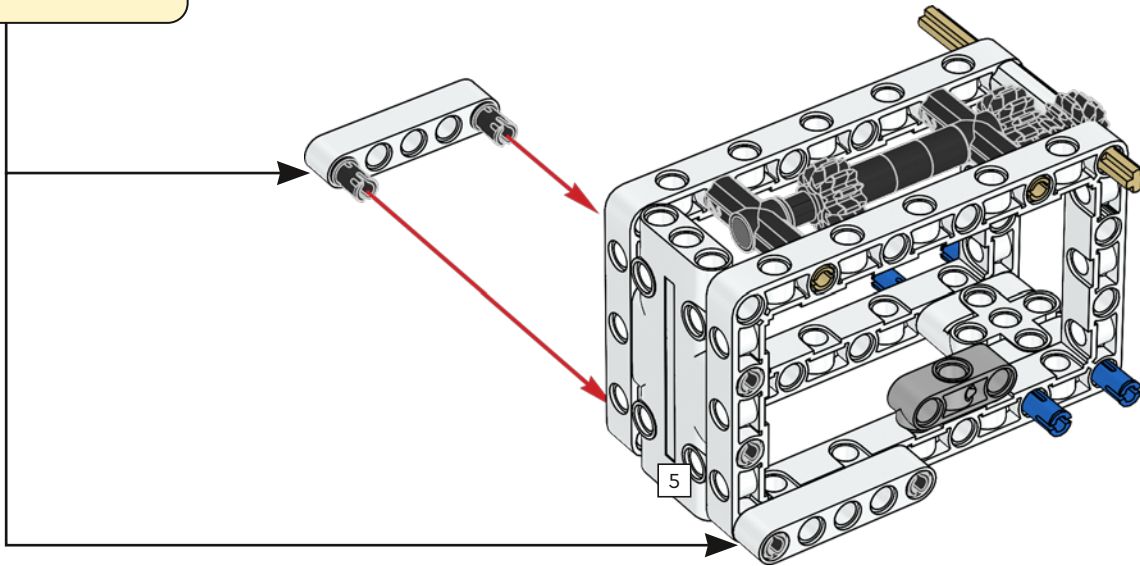
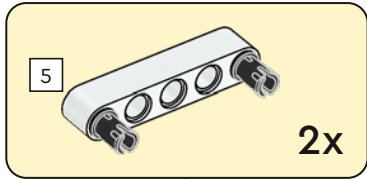


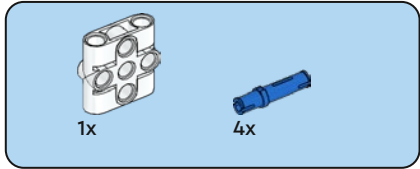
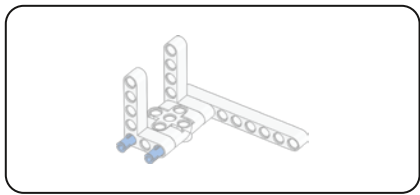
8



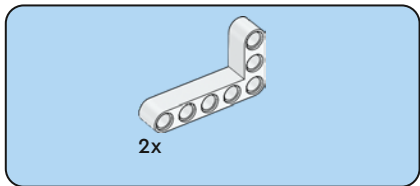
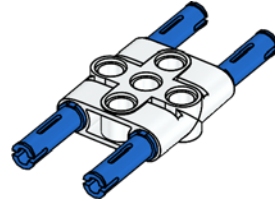


9

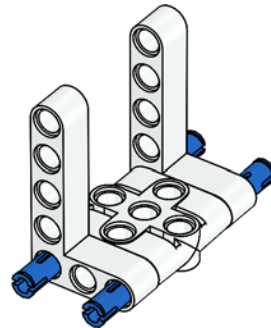


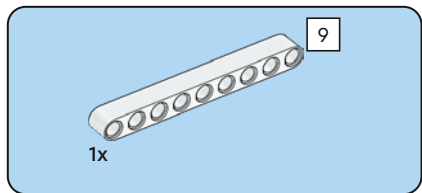


10

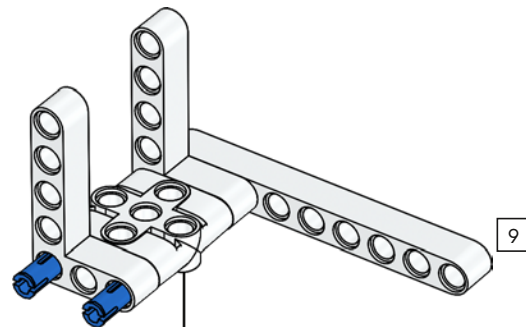


11

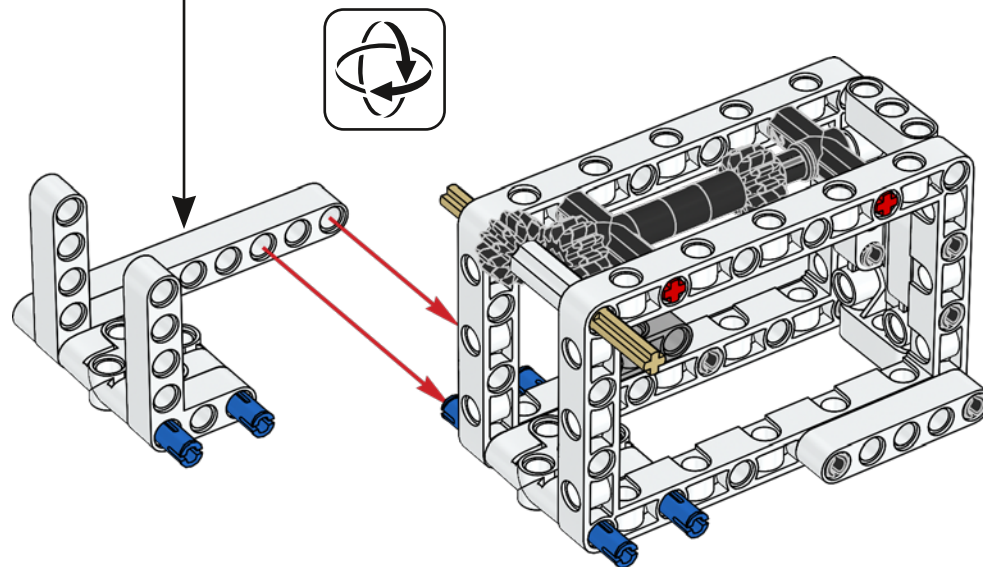




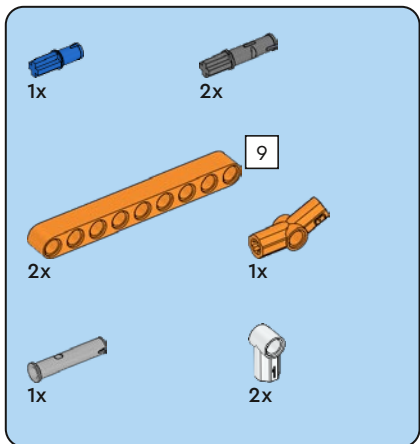
12



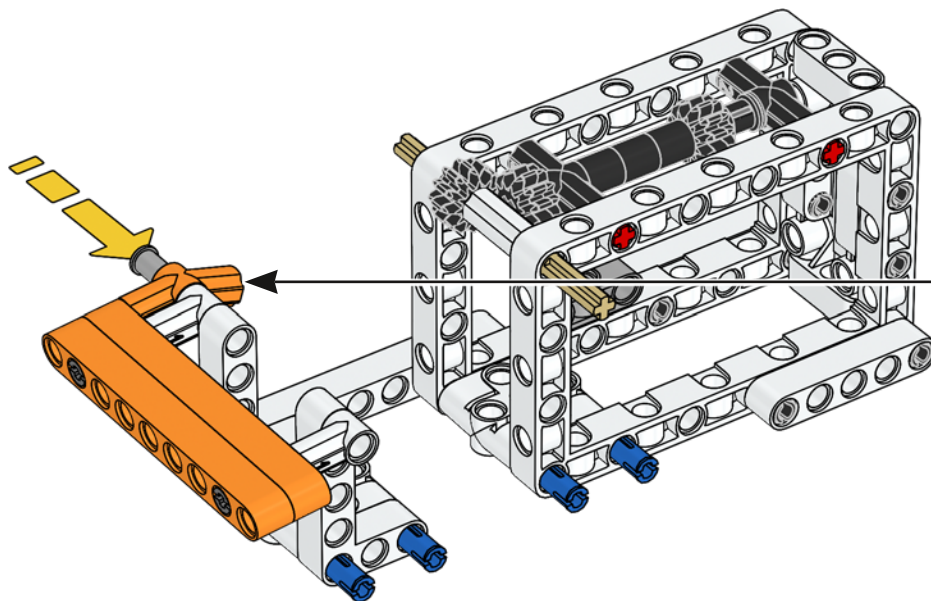
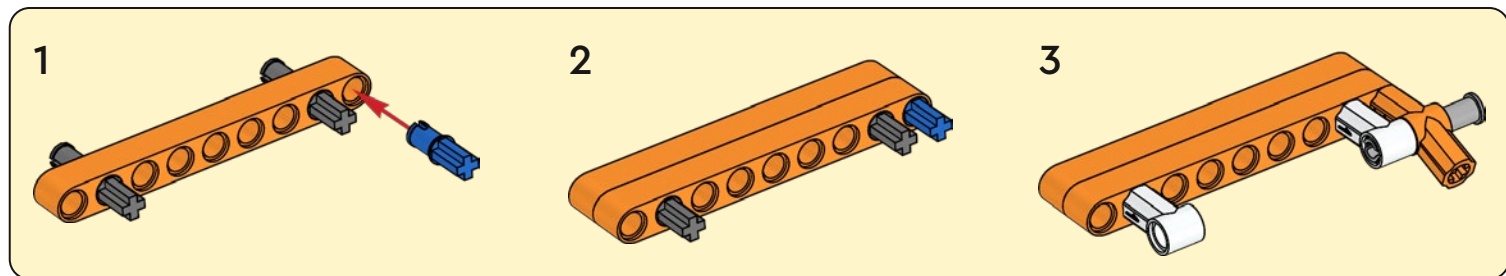
13



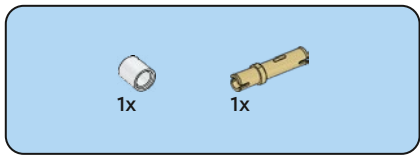
10



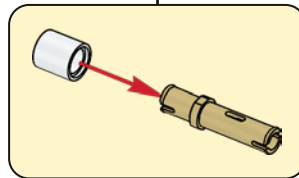
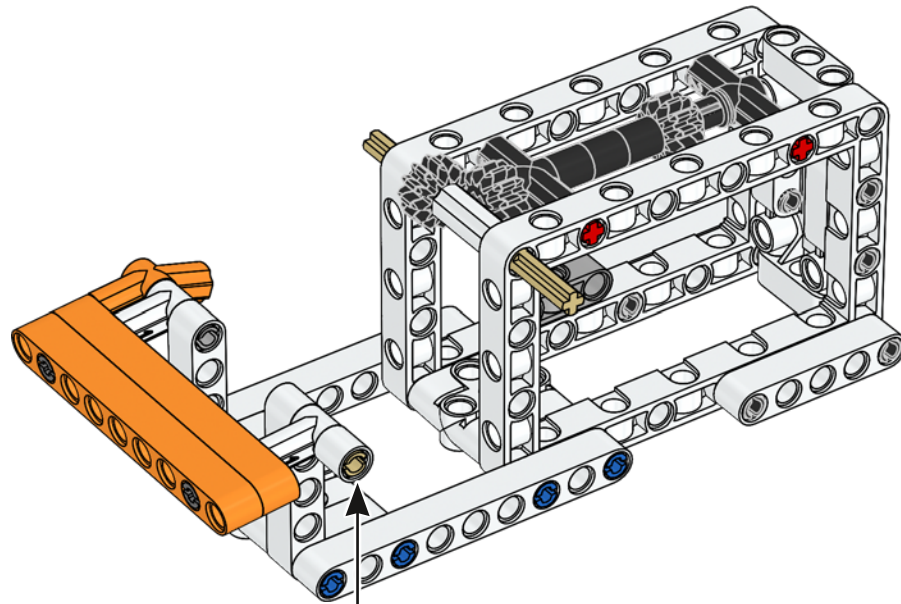
14

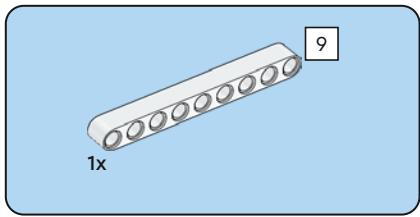




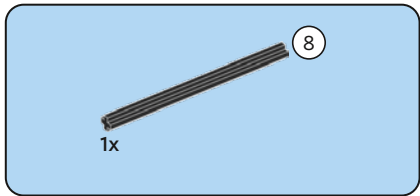
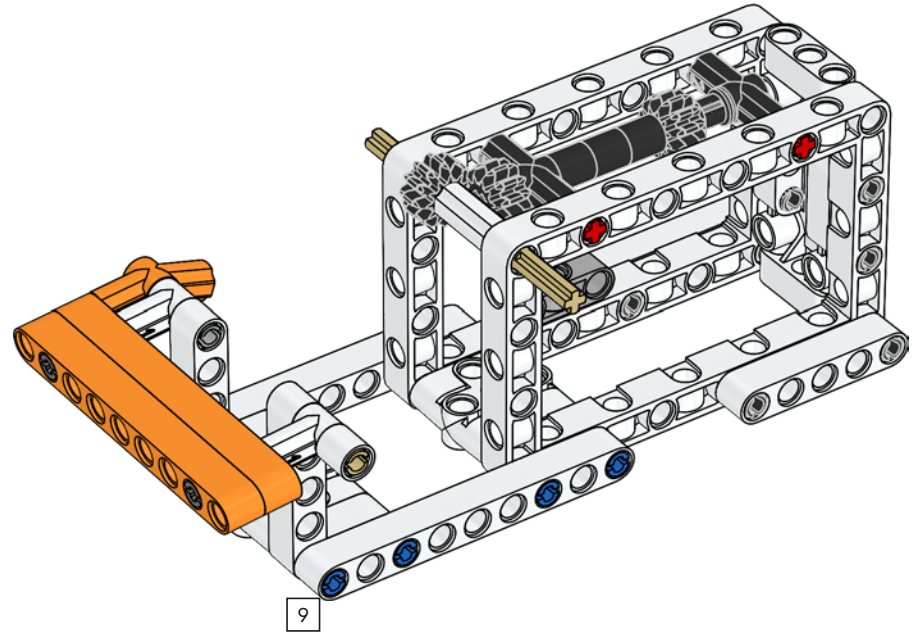


15

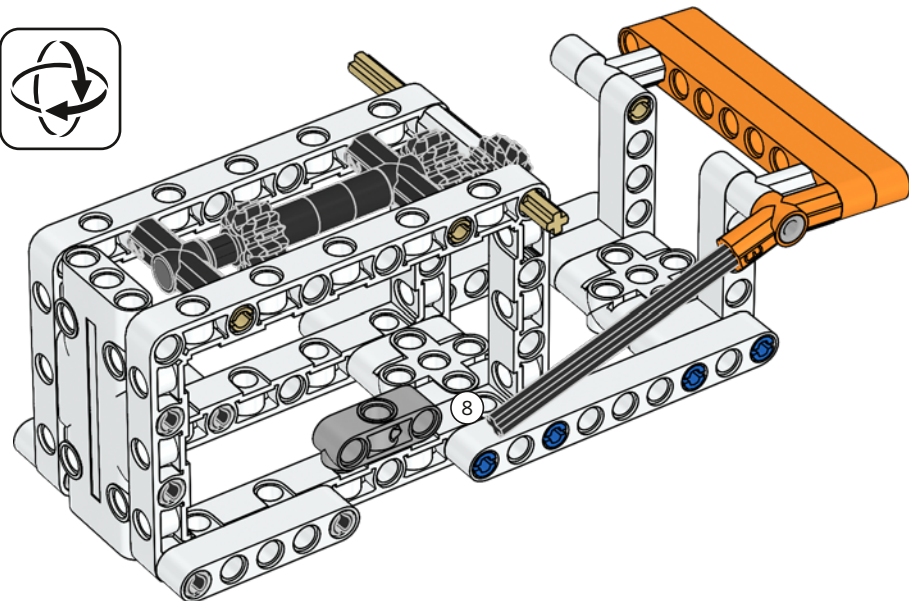
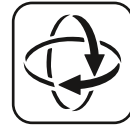


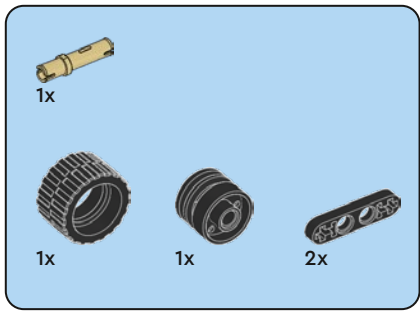


16

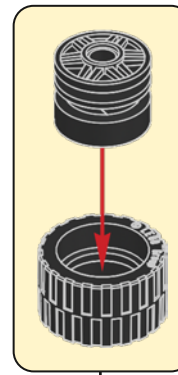
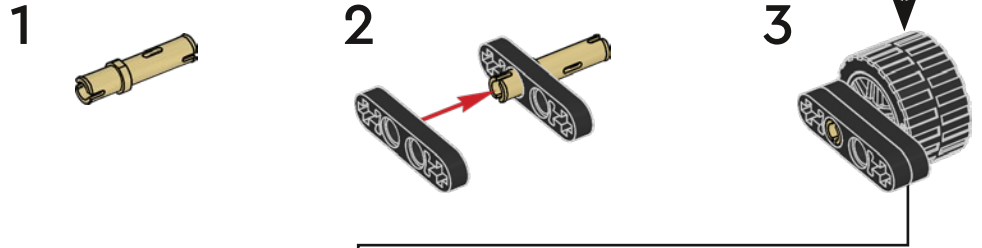


17

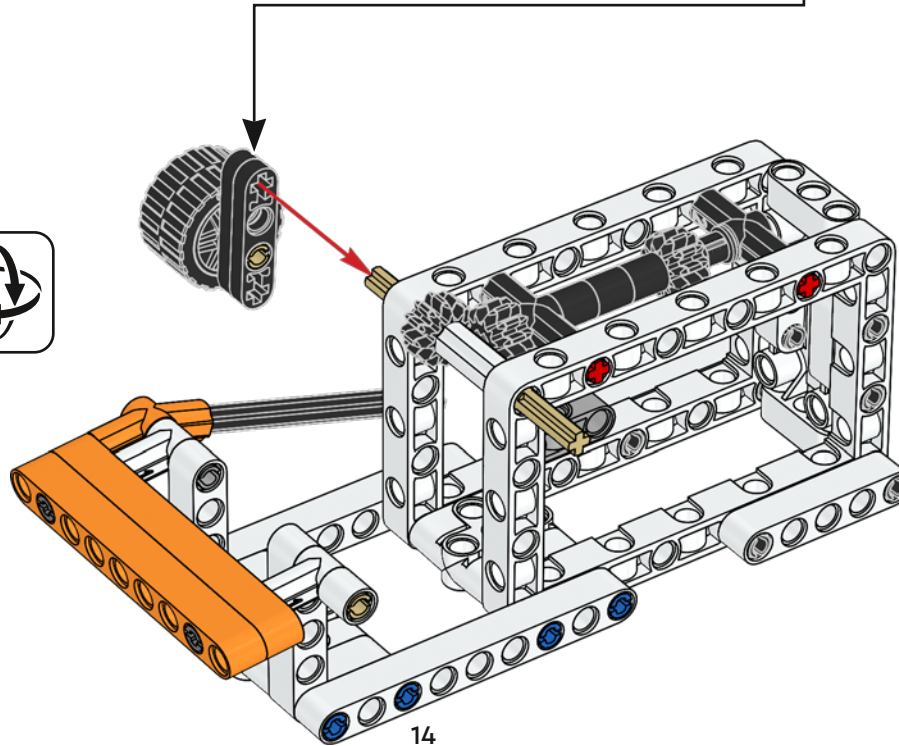


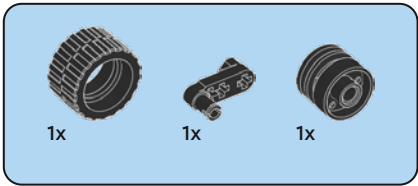


18

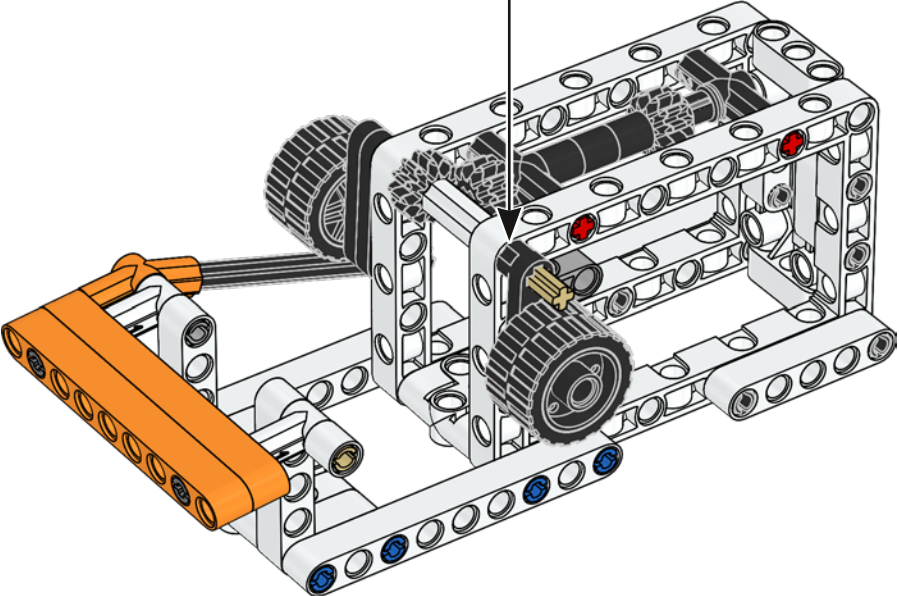
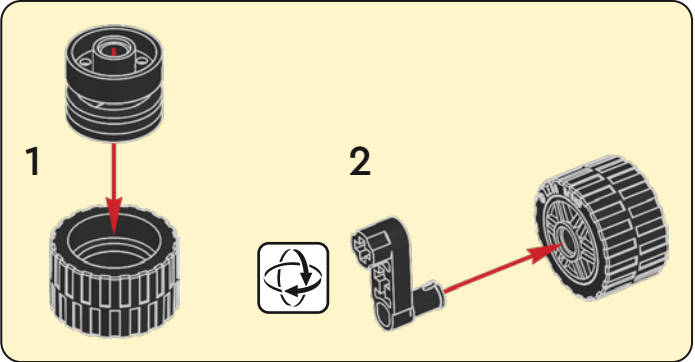


19

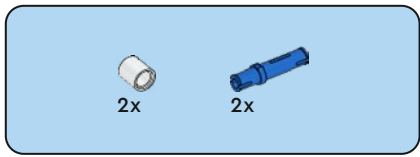




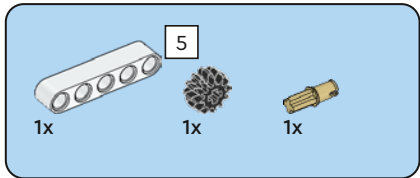
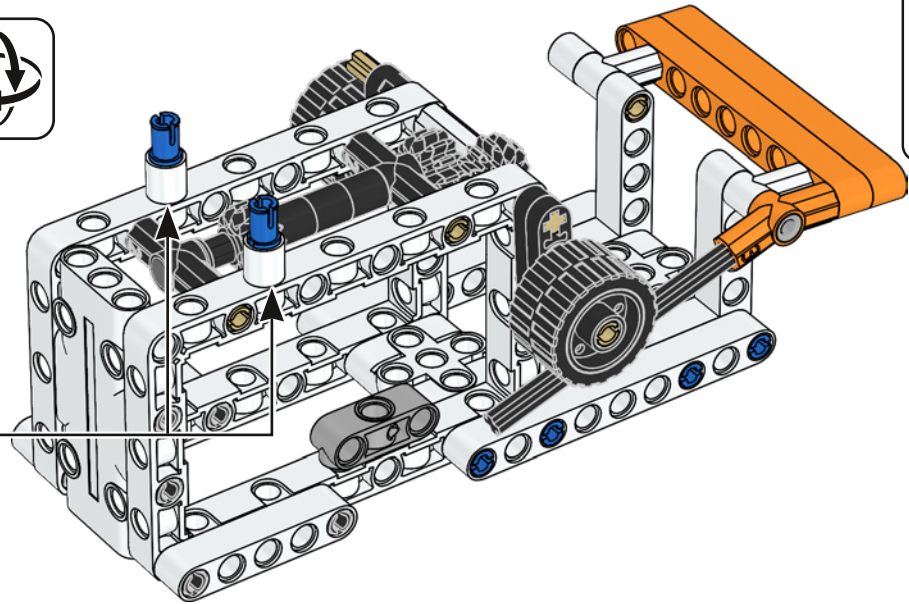
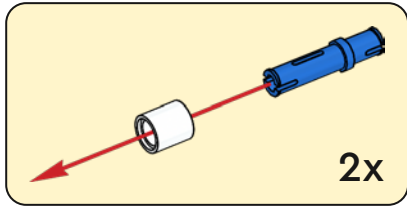
20



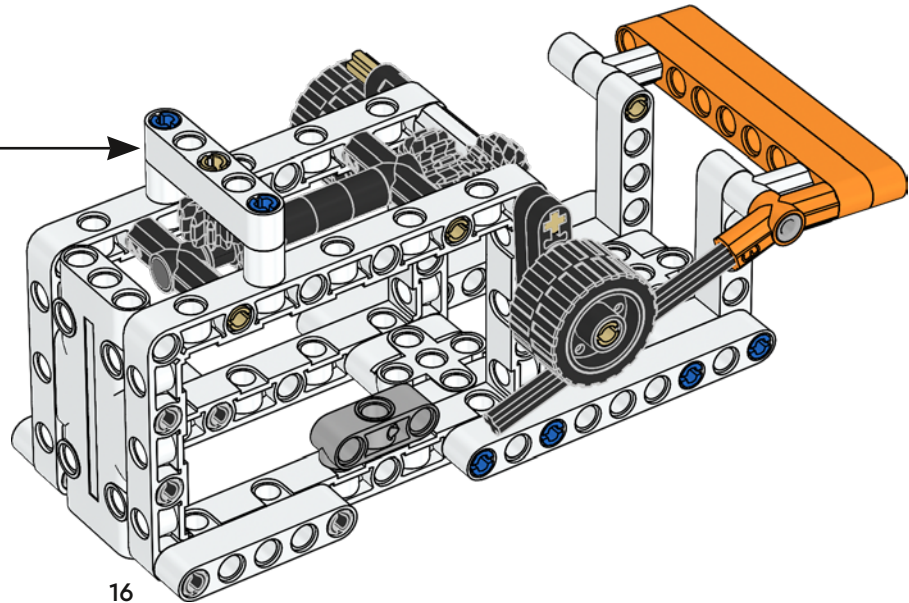
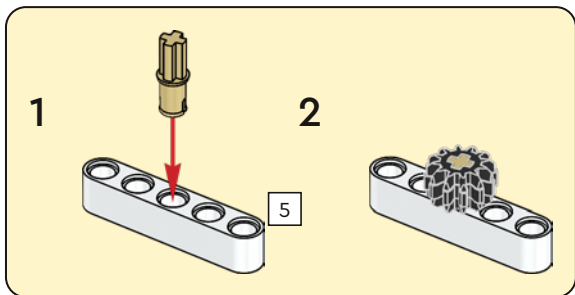


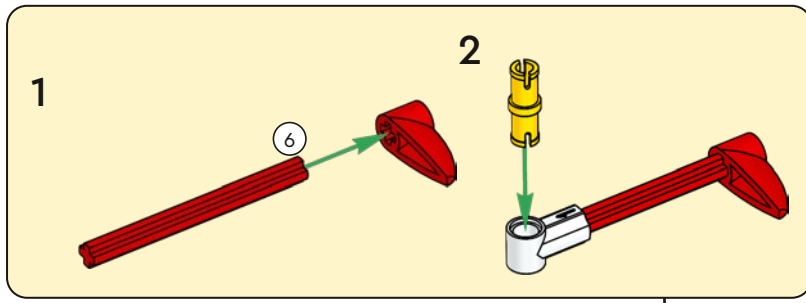
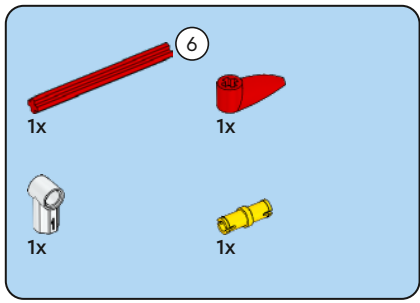


21

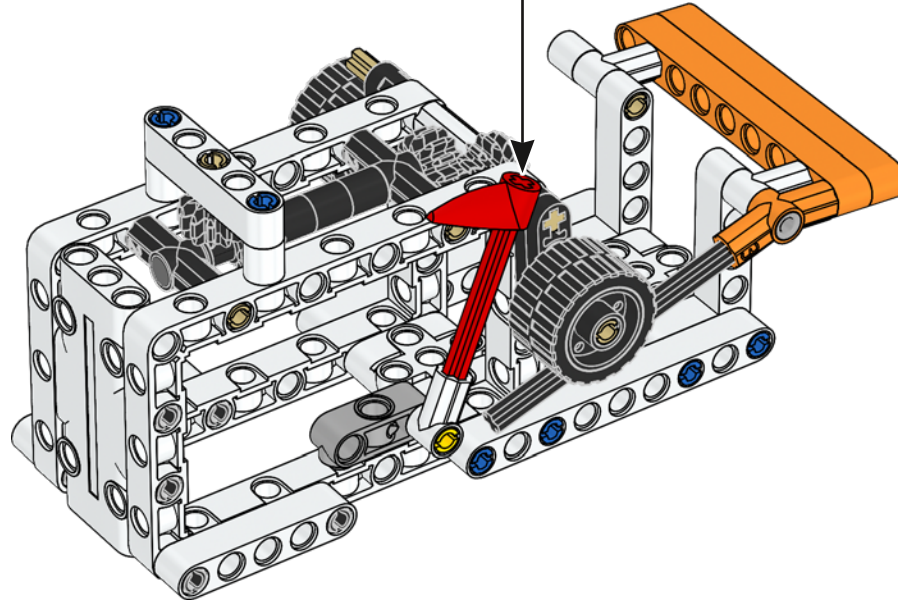


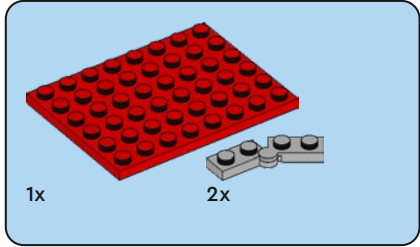
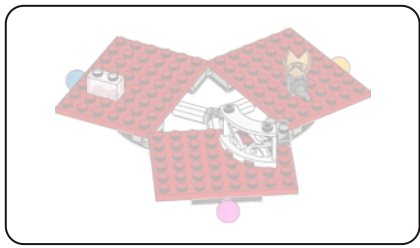
22



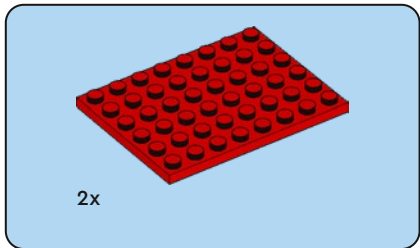


23

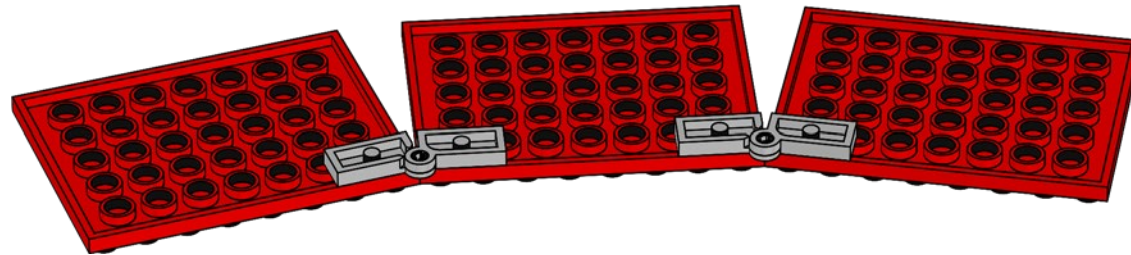
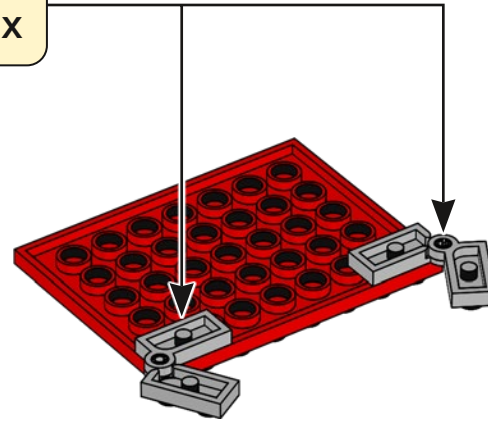
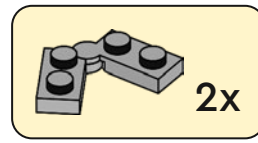




24



25

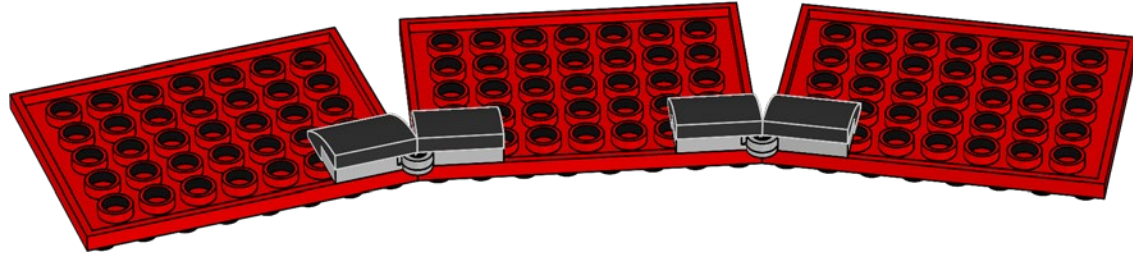






4x

26

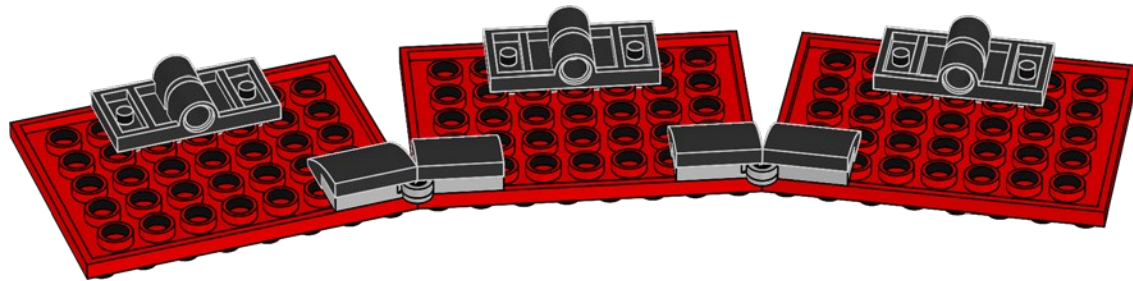


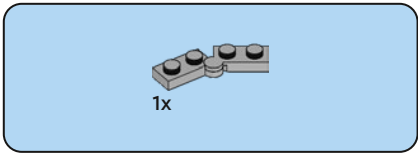
2



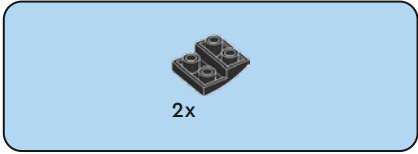
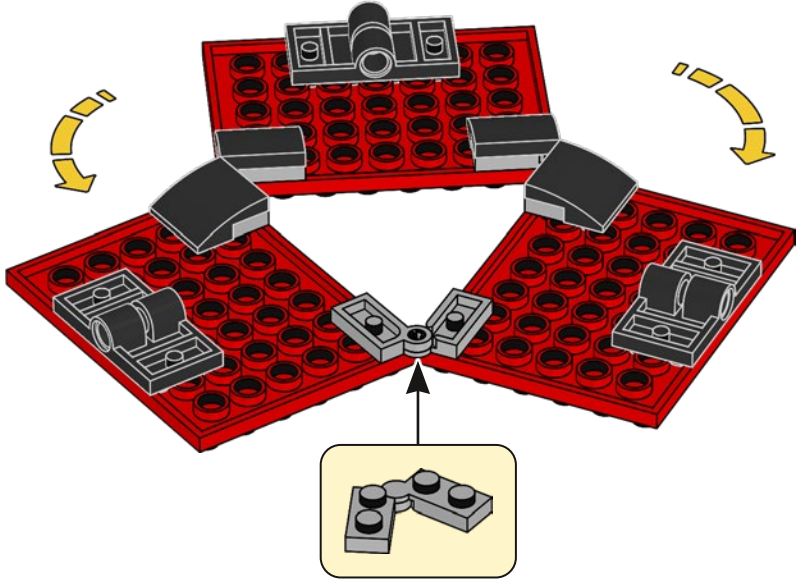
3x

27

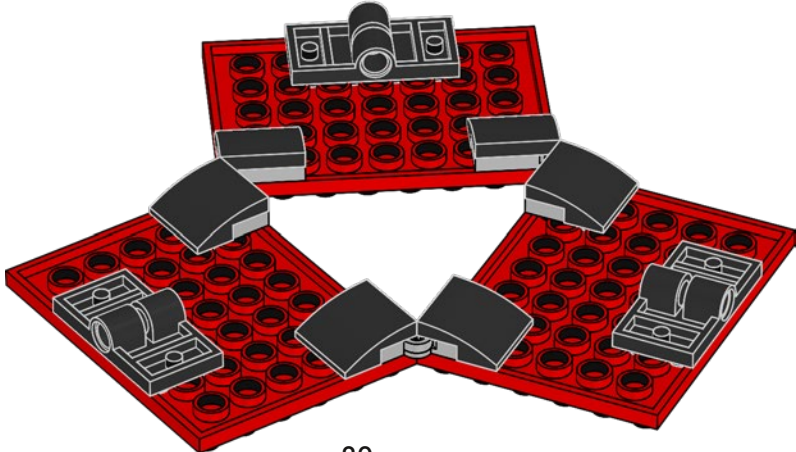


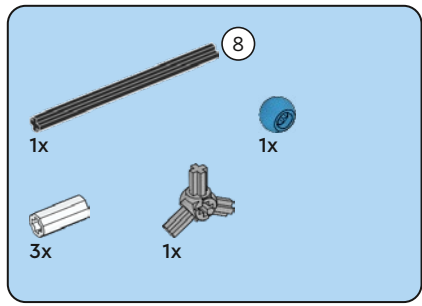


28

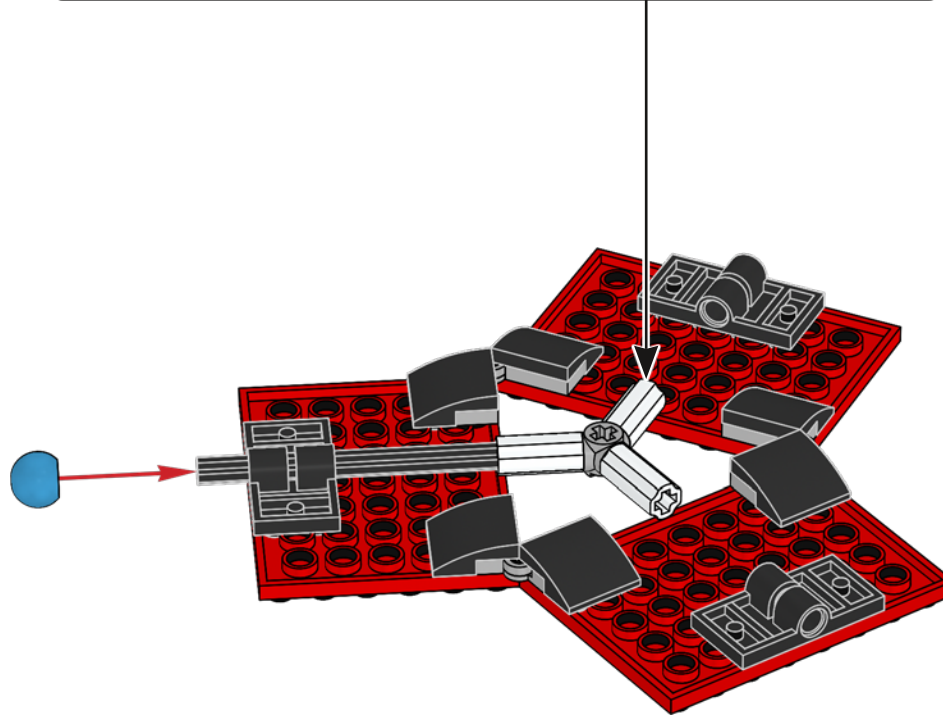
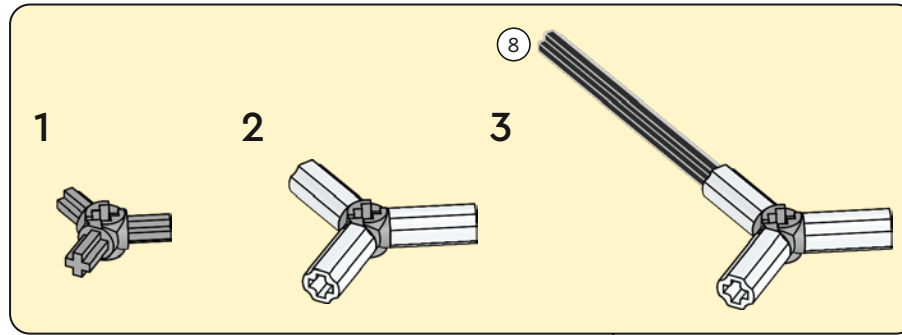


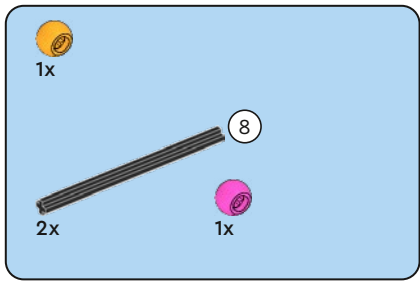
29



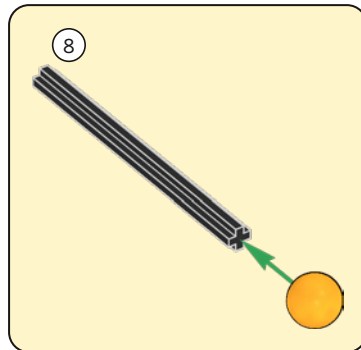
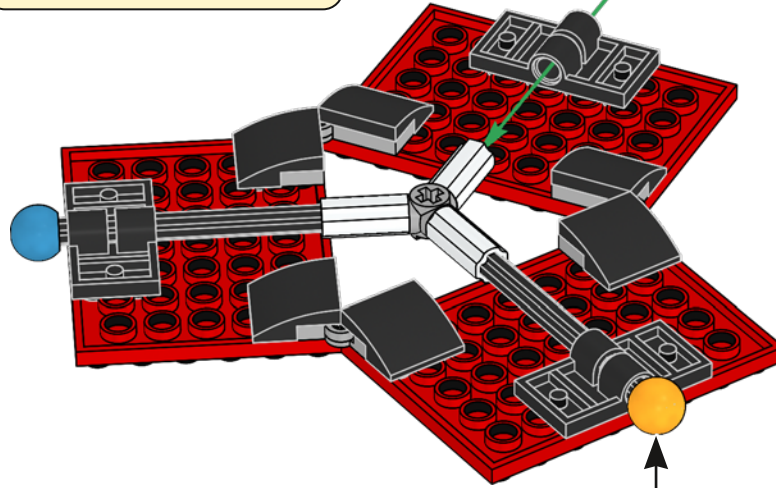
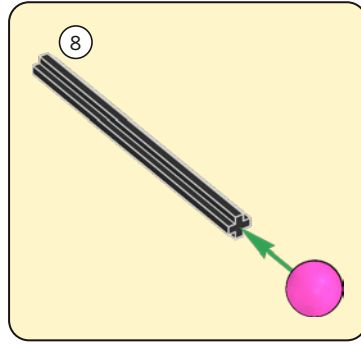


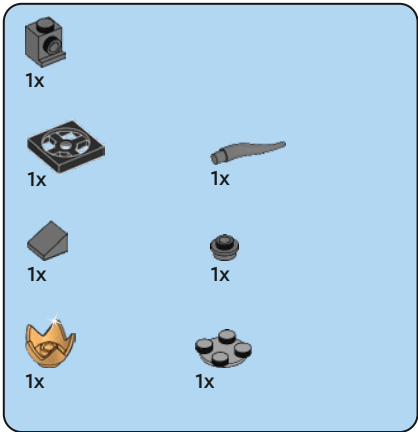
30



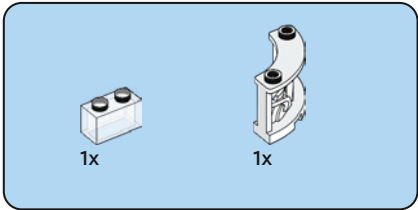
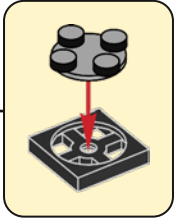
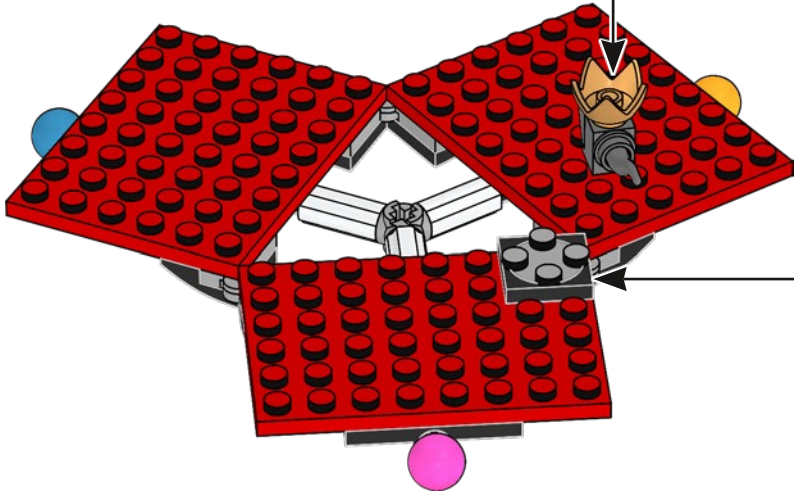
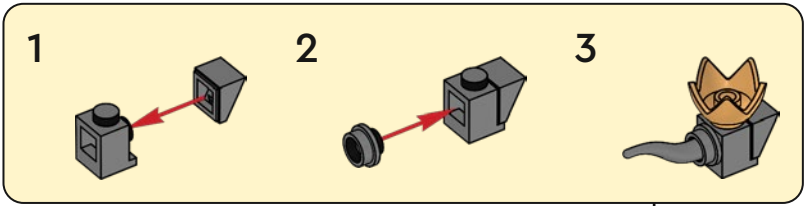


31

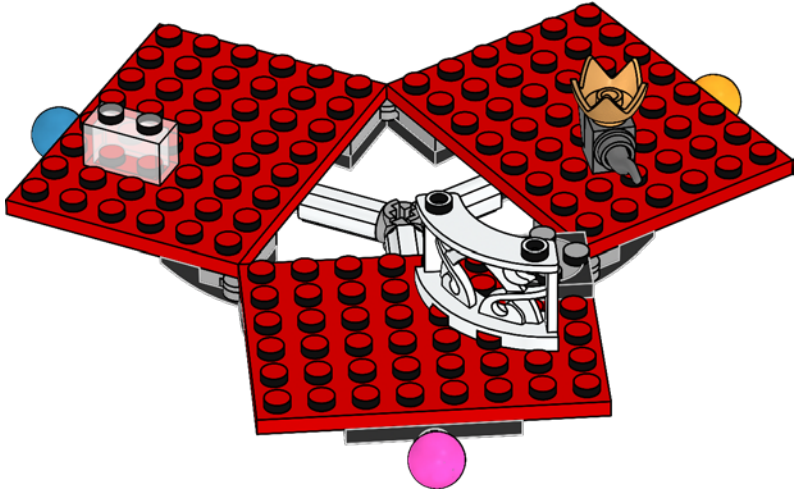




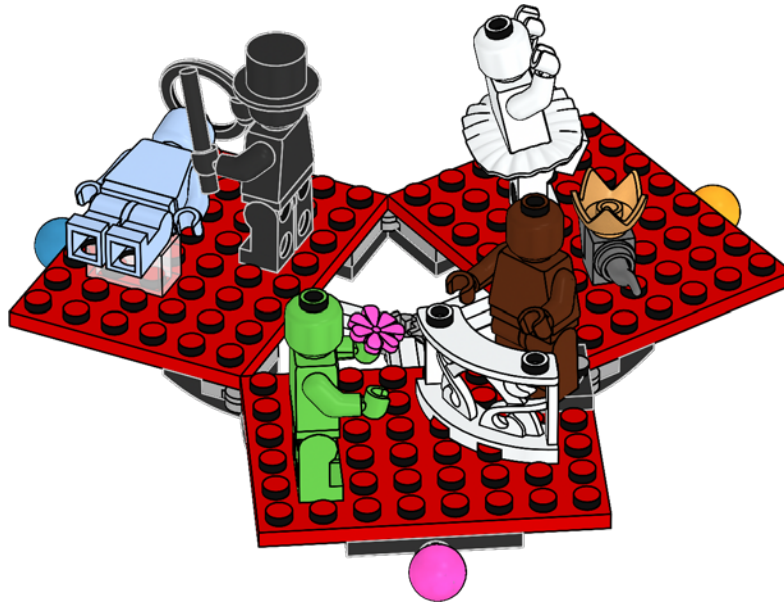
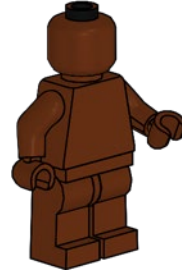
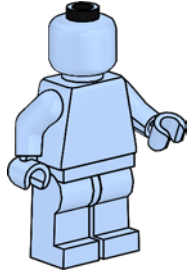
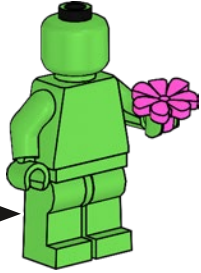
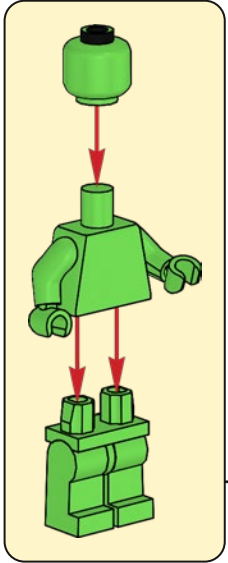
32



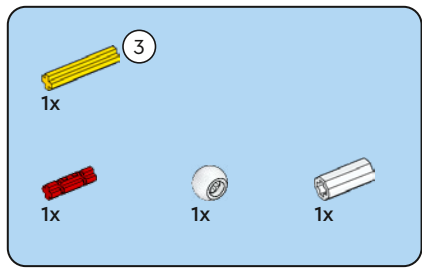
33



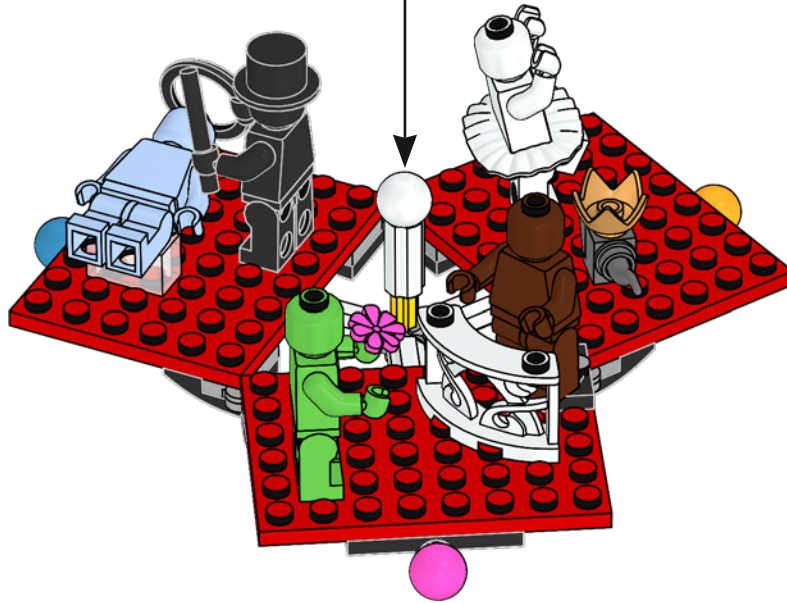
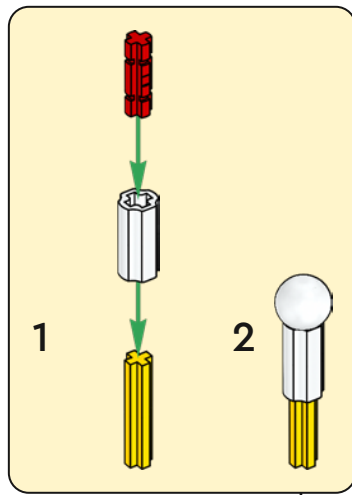
34



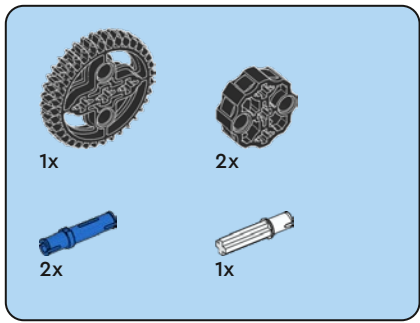




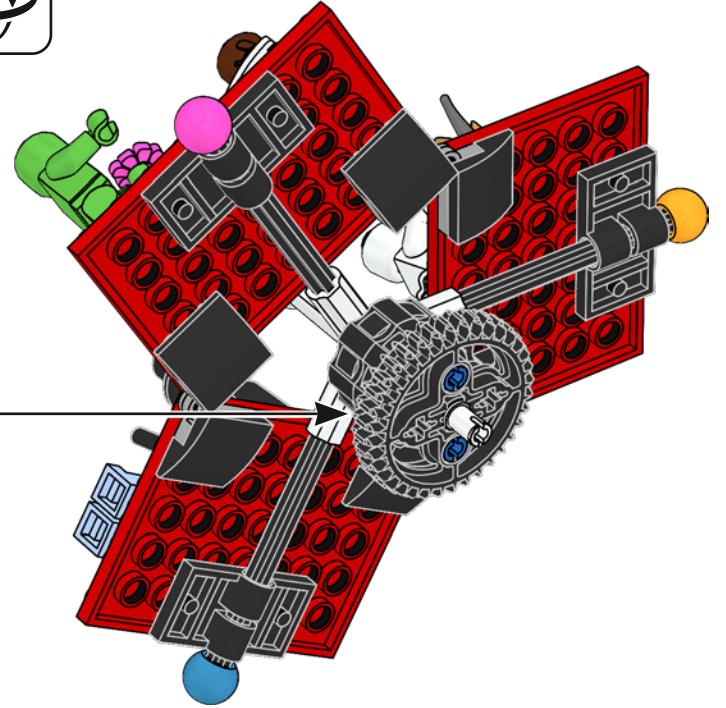
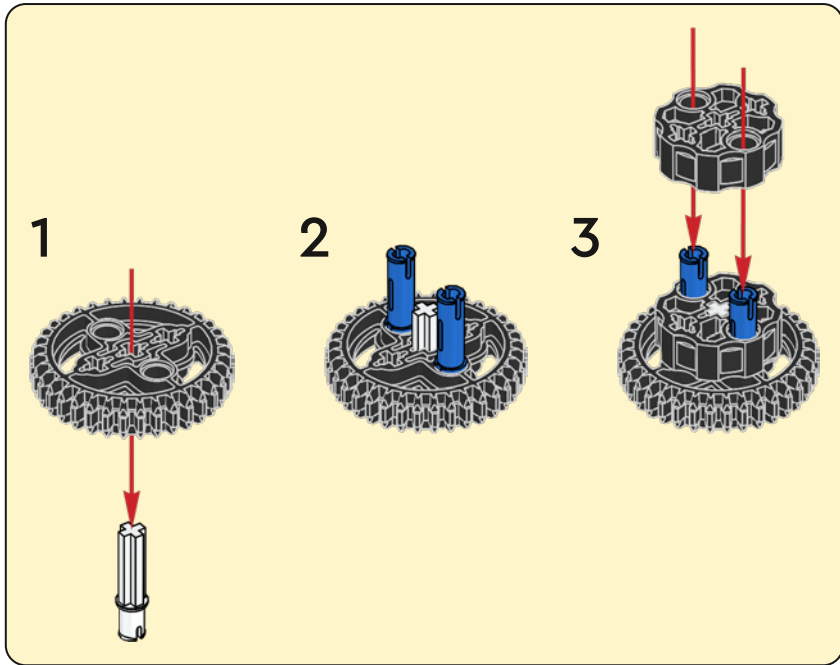
35

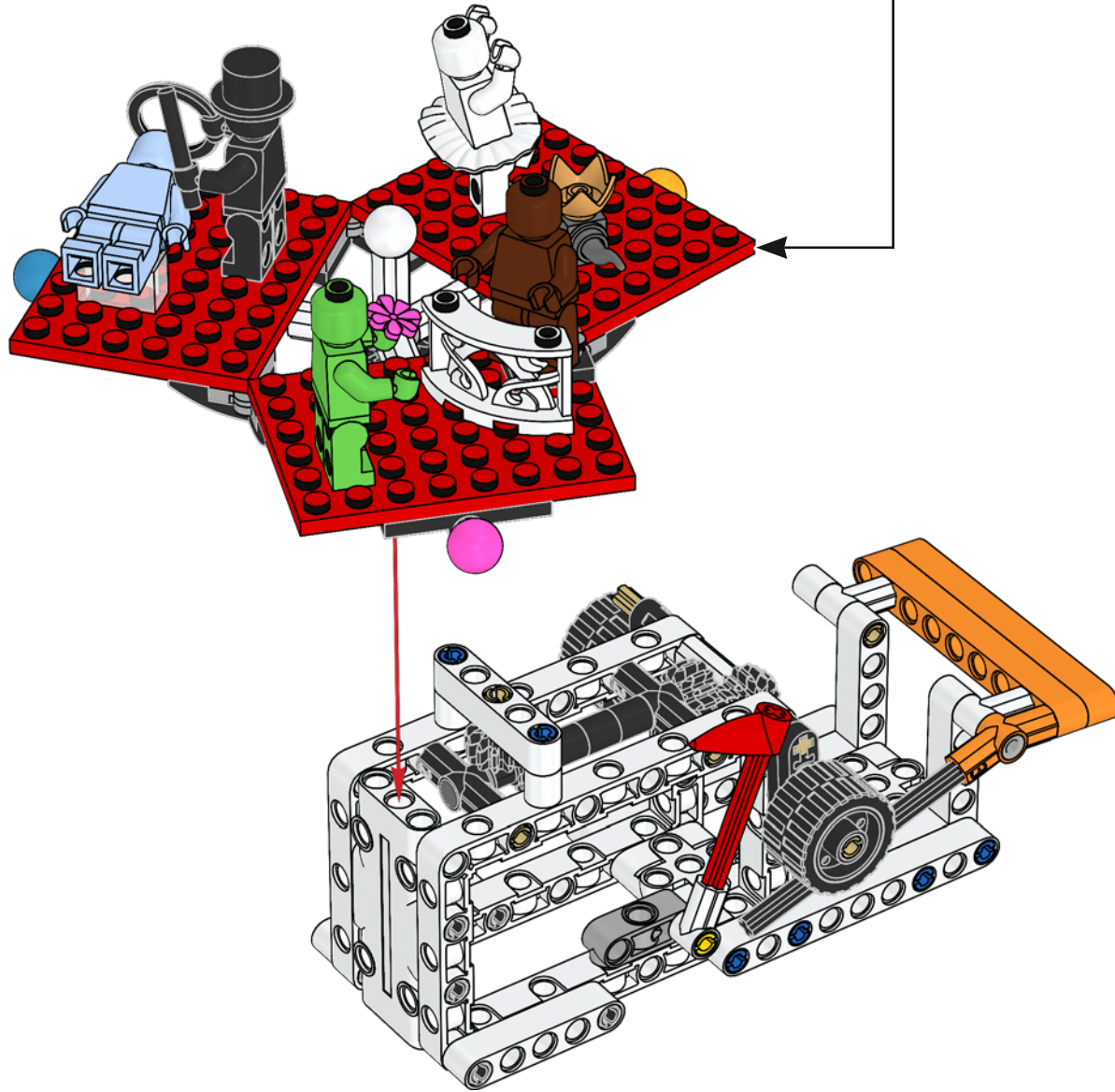


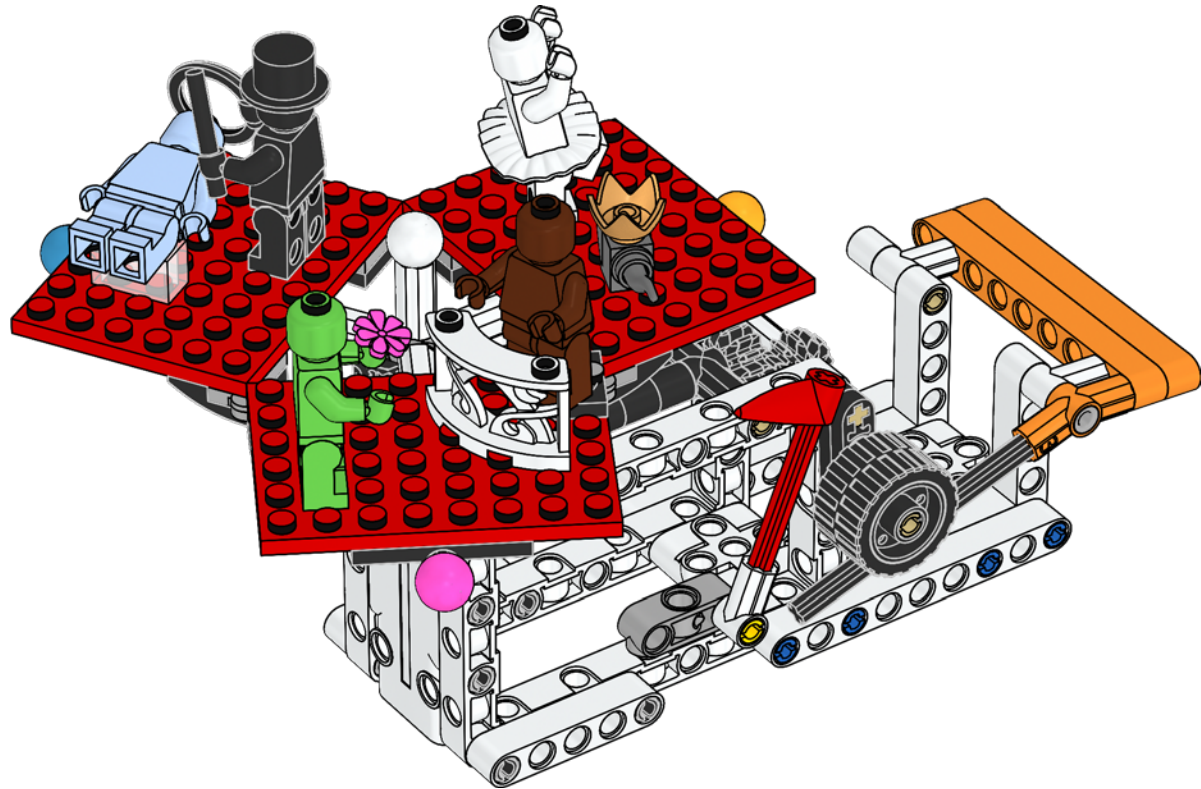




36







LEGO and the LEGO logo are trademarks of the/son des marques de commerce du/son marcas registradas de LEGO Group. ©2023 The LEGO Group.

FIRST® is a registered trademark of For Inspiration and Recognition of Science and Technology (FIRST). LEGO® is a registered trademark of the LEGO Group. FIRST® LEGO® League and MASTERPIECE™ are jointly held trademarks of FIRST and the LEGO Group. ©2023 FIRST and the LEGO Group. All rights reserved.