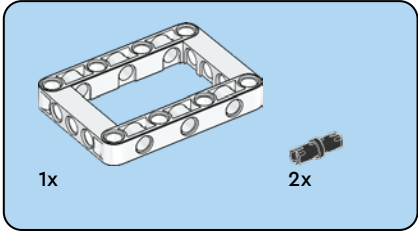
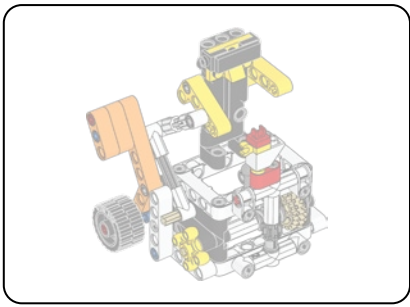
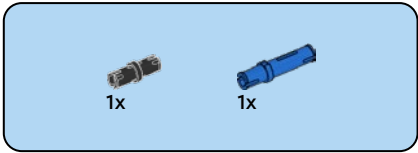
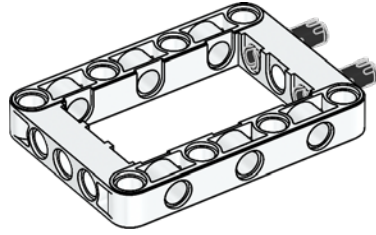


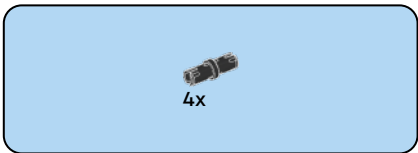
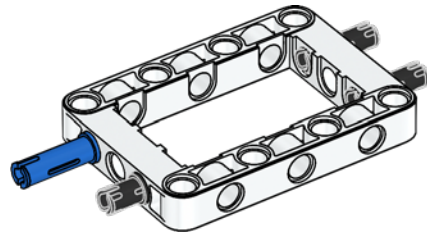
45823



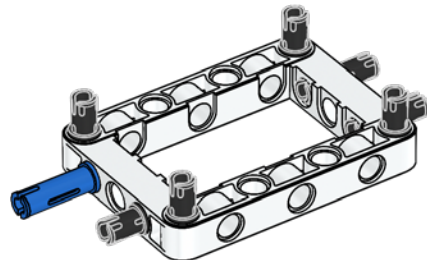
1



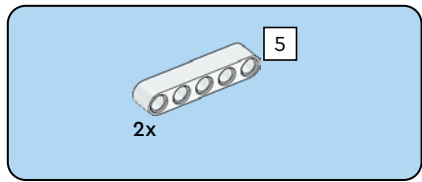
2



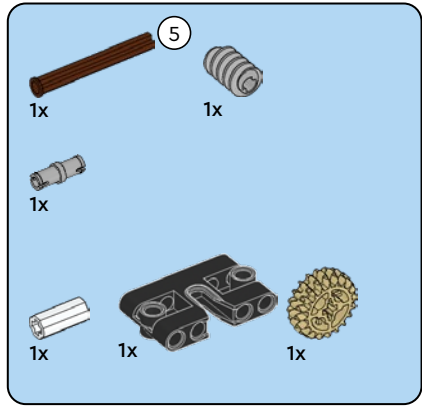
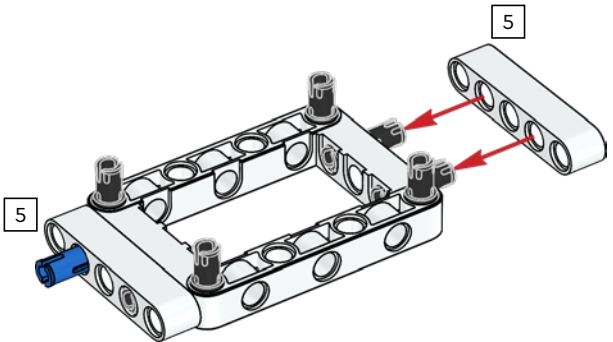
3



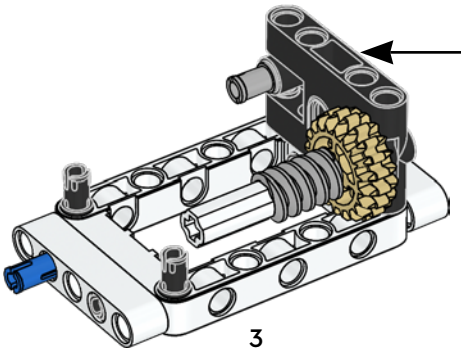
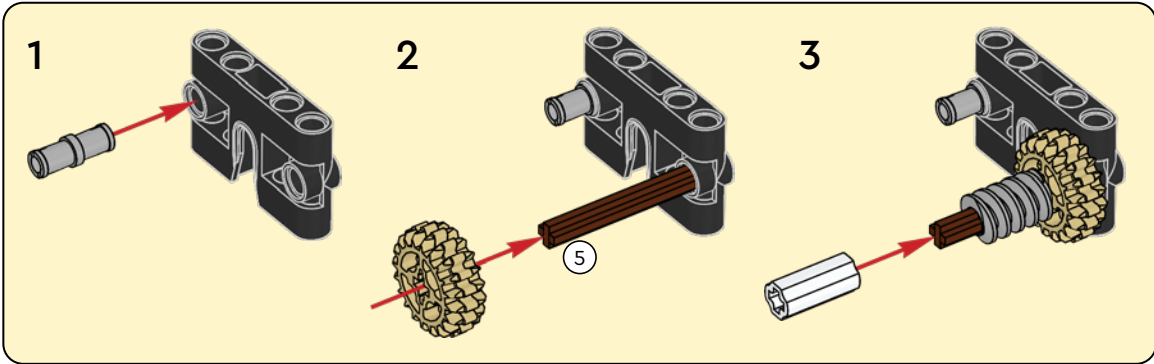
2

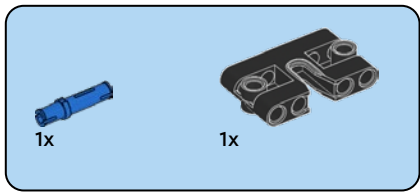


4

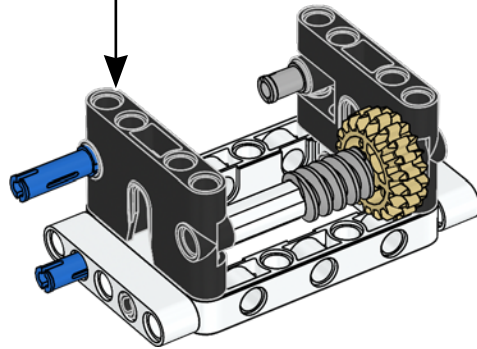
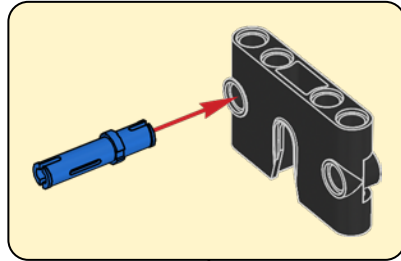


5





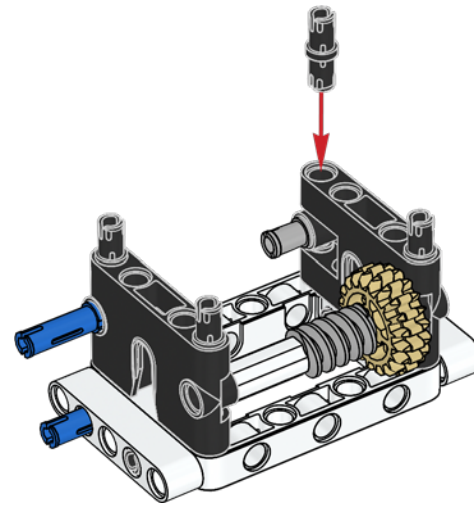
6



4x

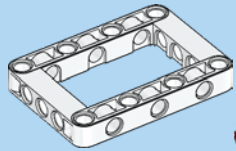


7



11

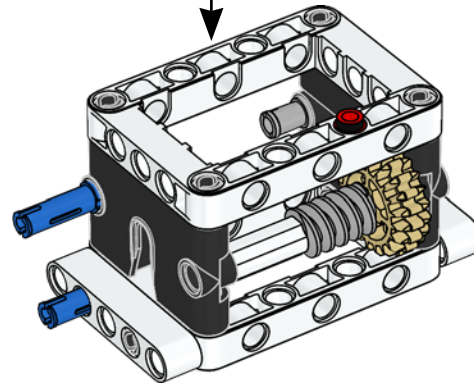
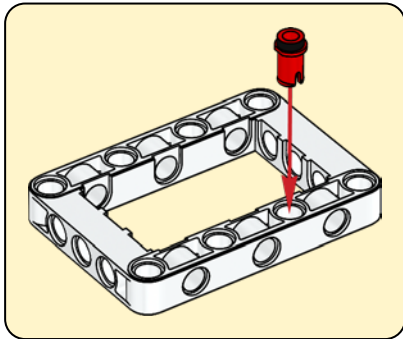
1x

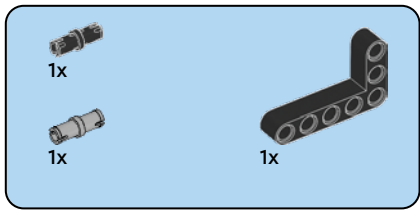


1x

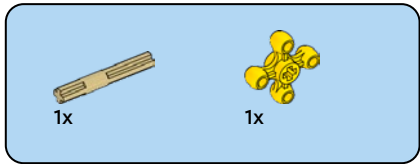
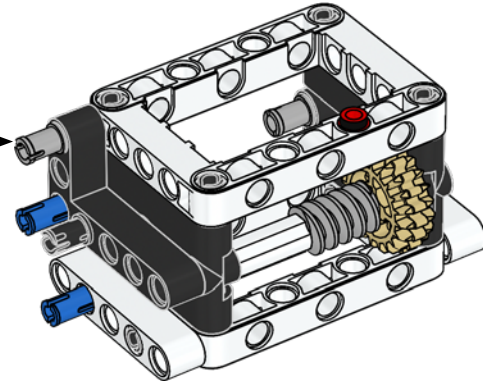
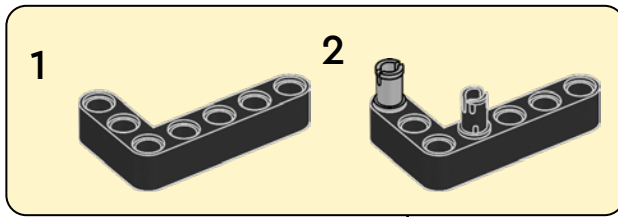


8

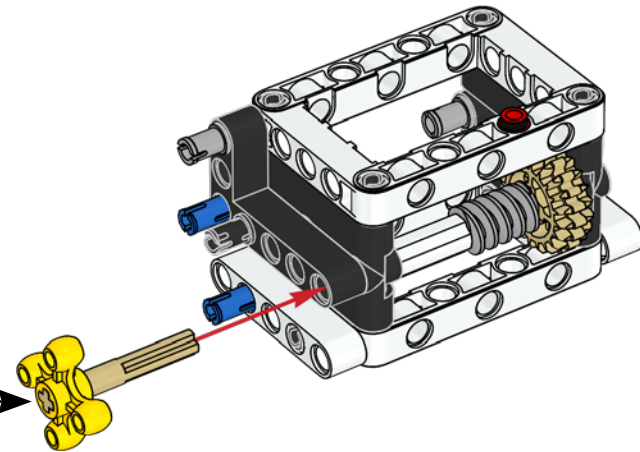
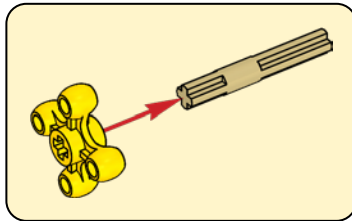


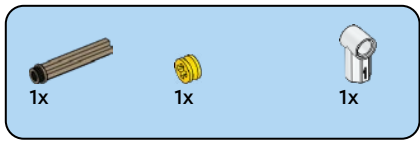


9

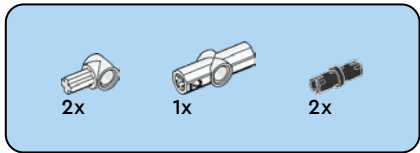
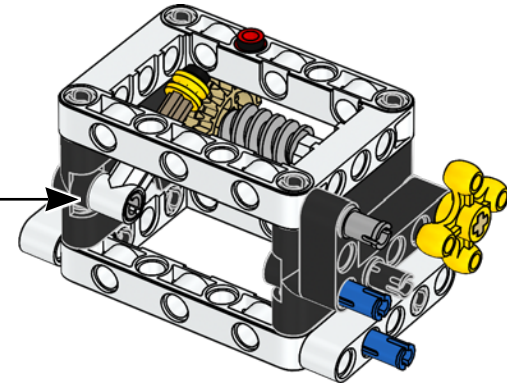
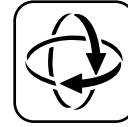
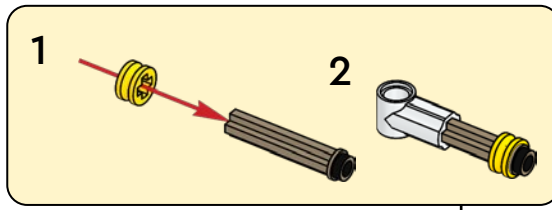


10

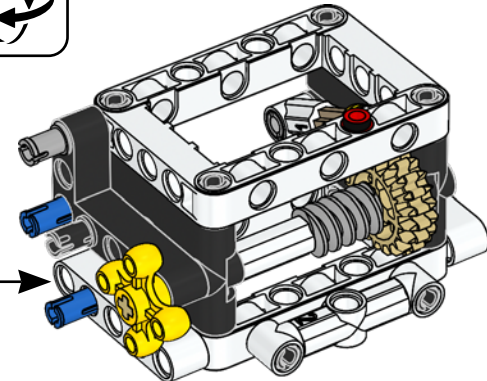
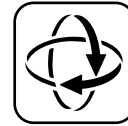
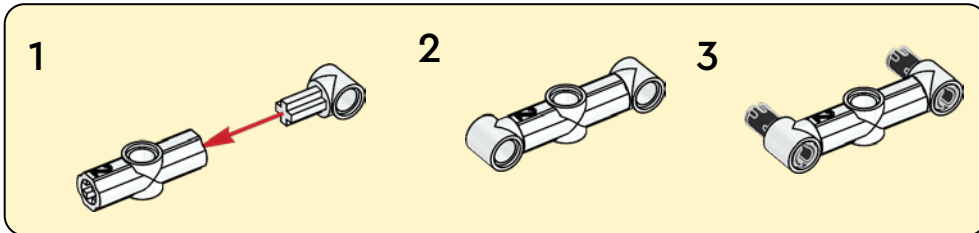


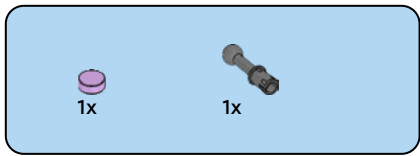


11

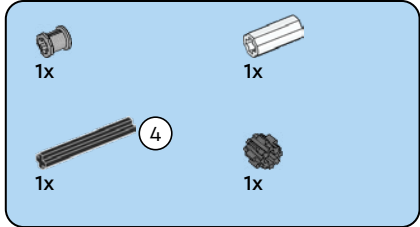
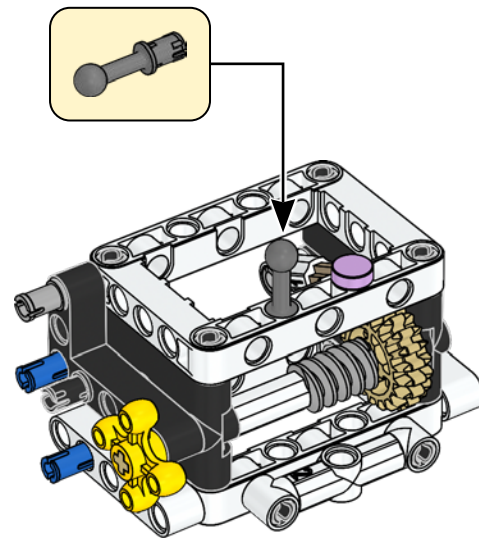


12

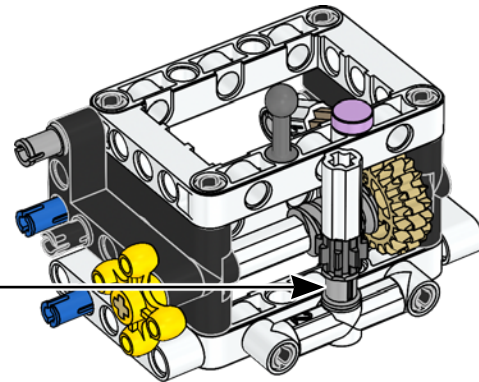
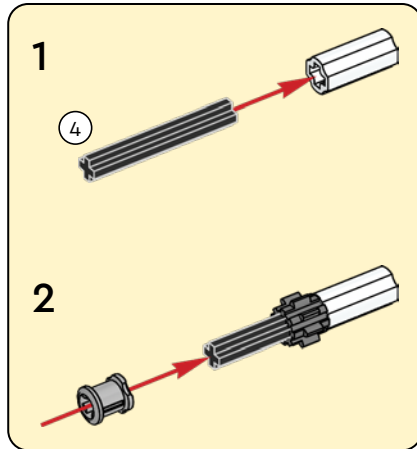


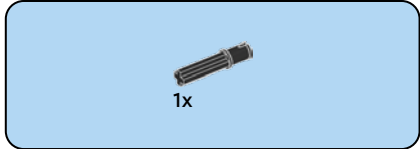
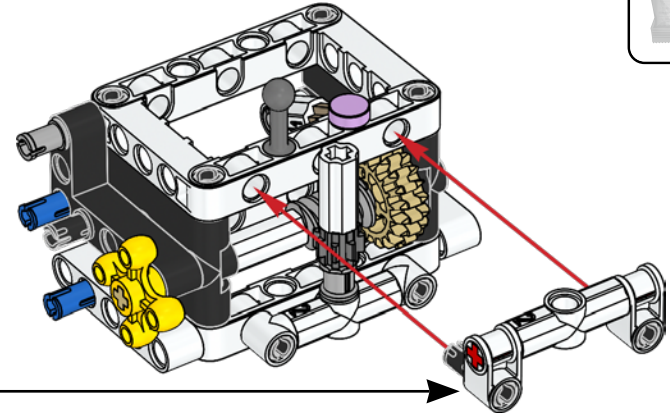
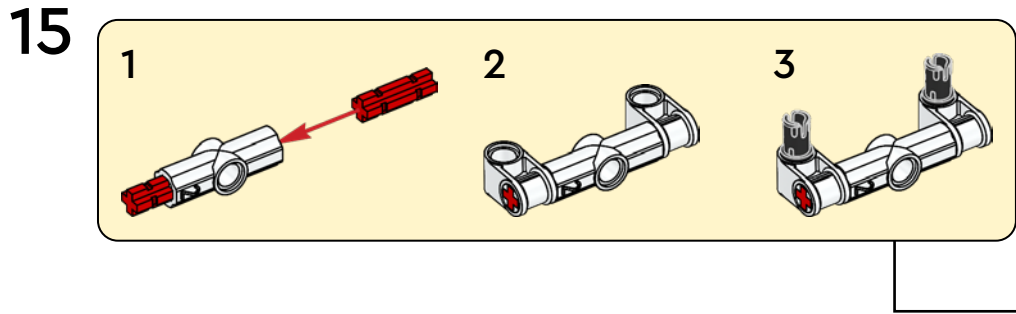
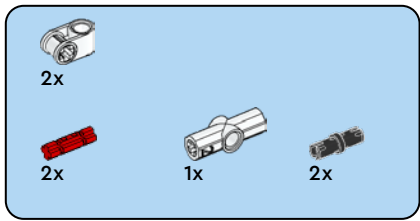


13

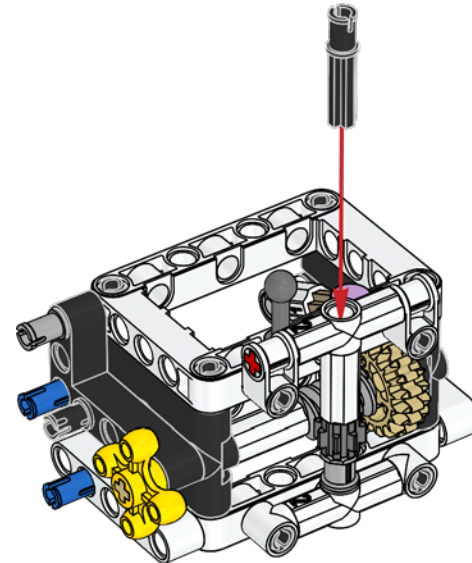


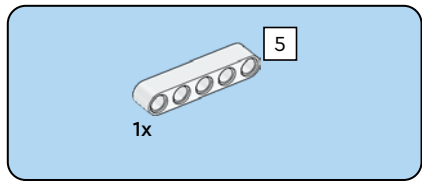
14



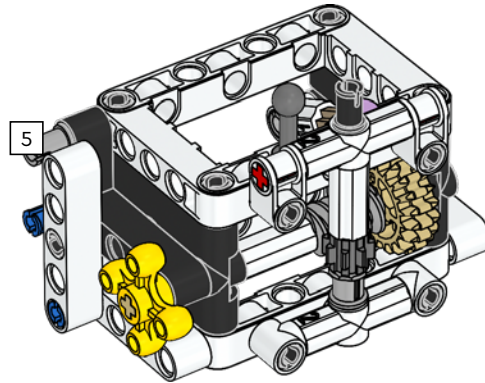


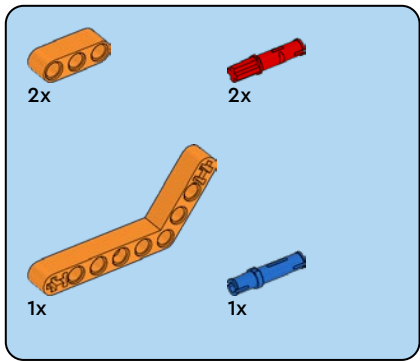
16



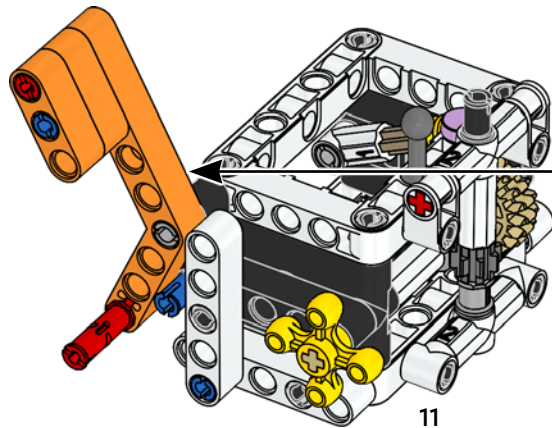
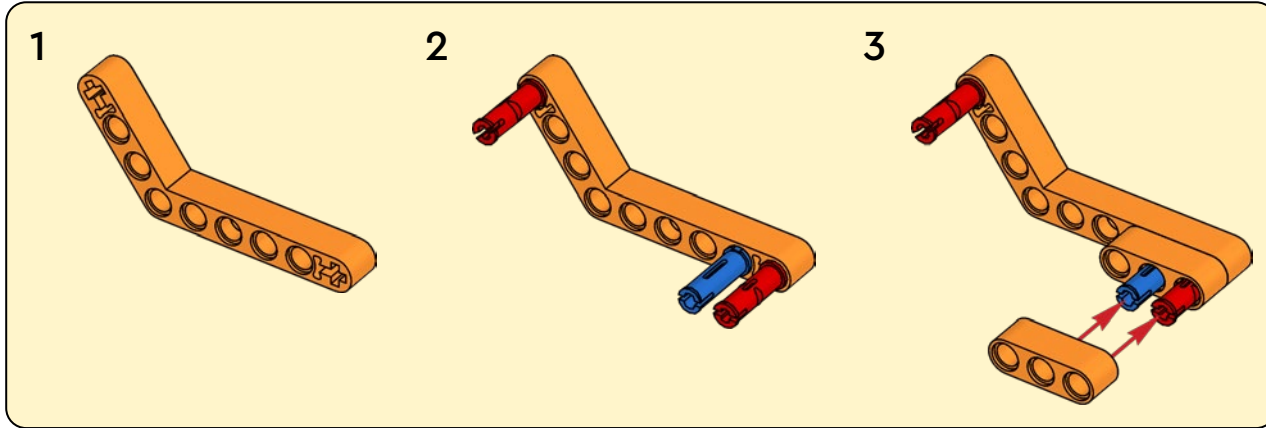


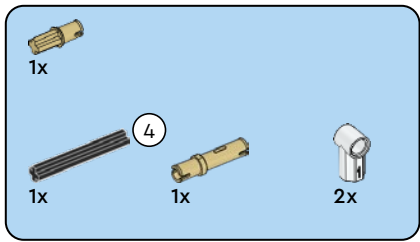
17



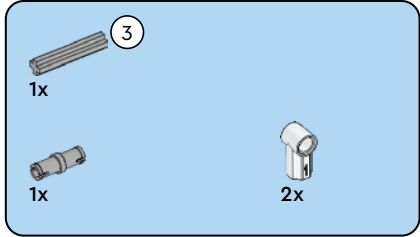
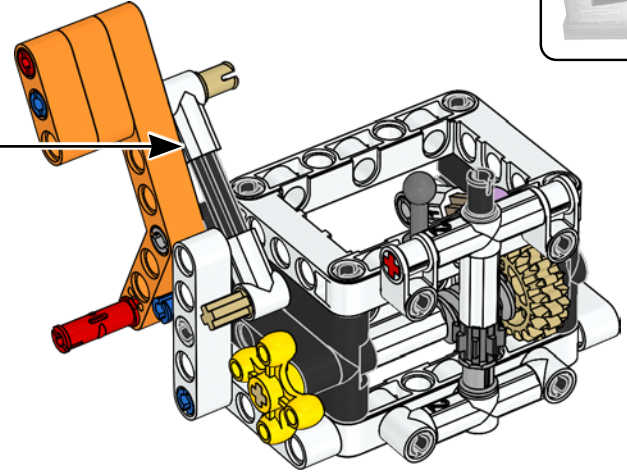
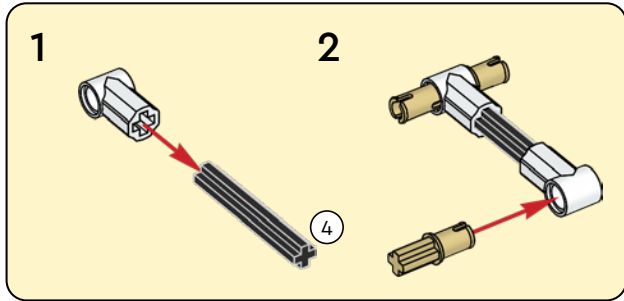


18

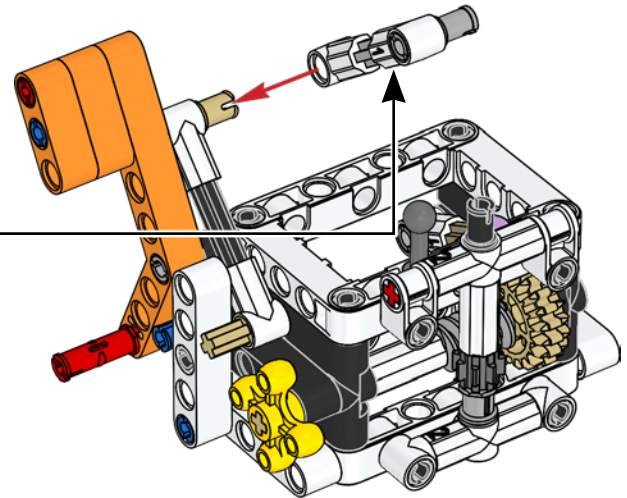
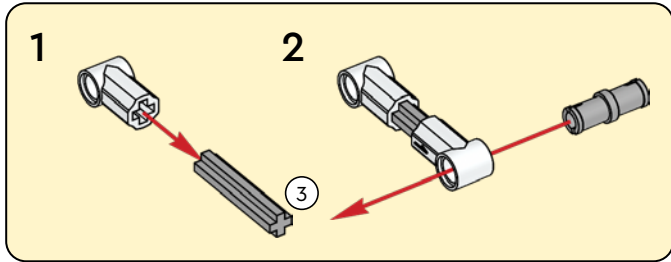


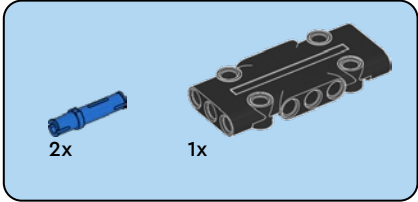
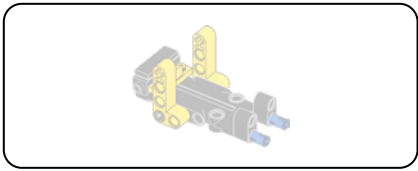


19

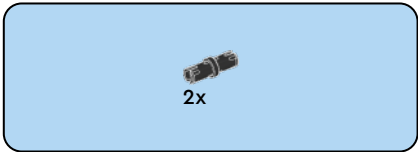
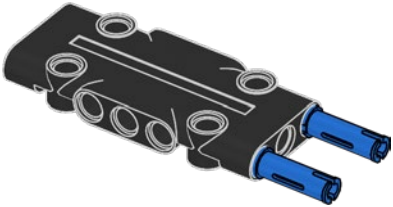


20

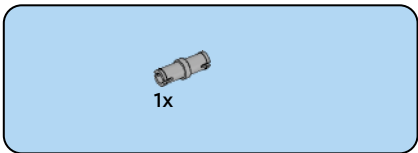
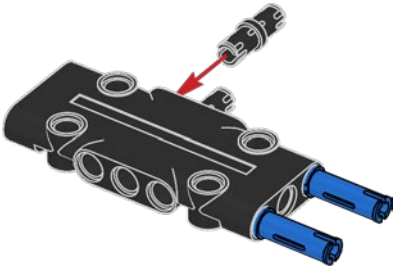




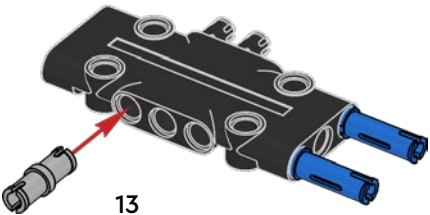
21



22

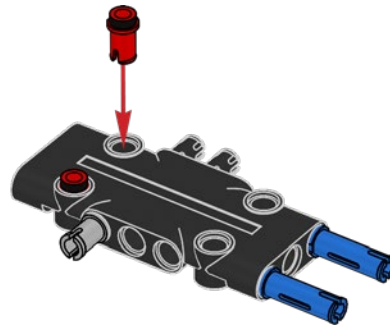


23



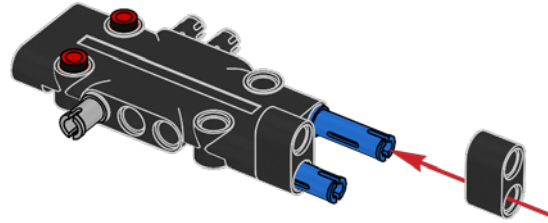
2x

24



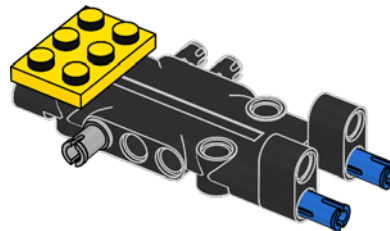
2x

25



1x

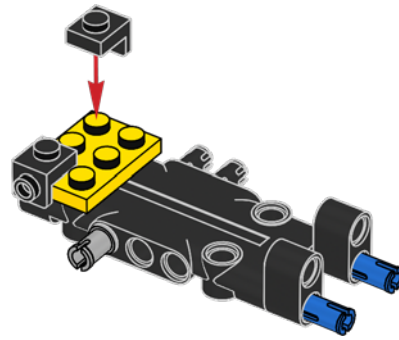
26





2x

27

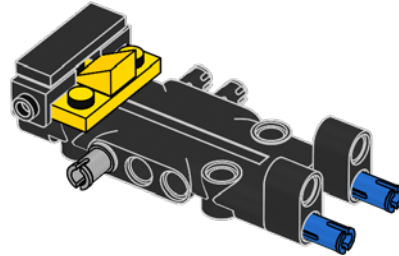


1x



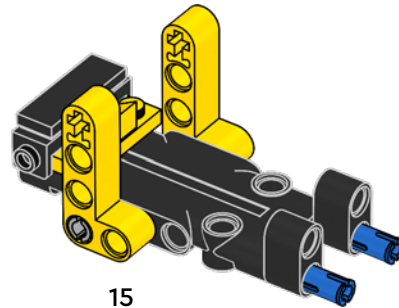
1x

28



2x

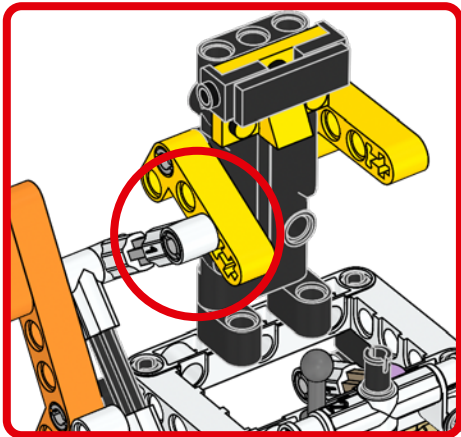
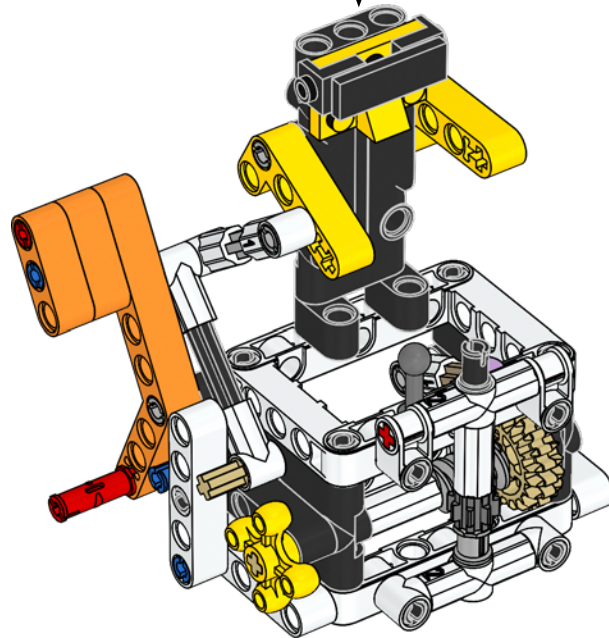
29

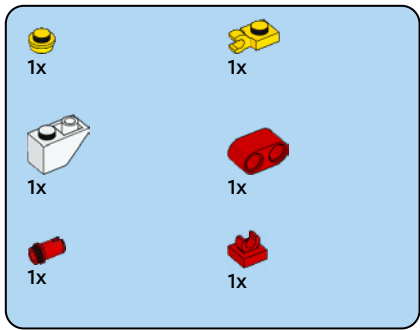


15

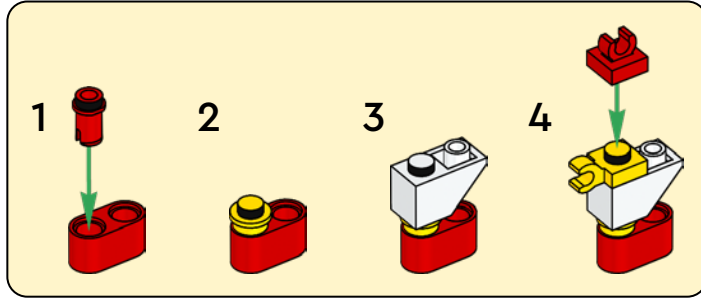


30

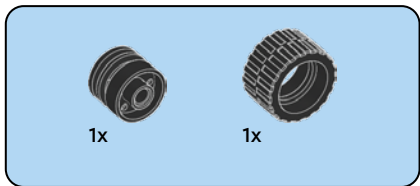
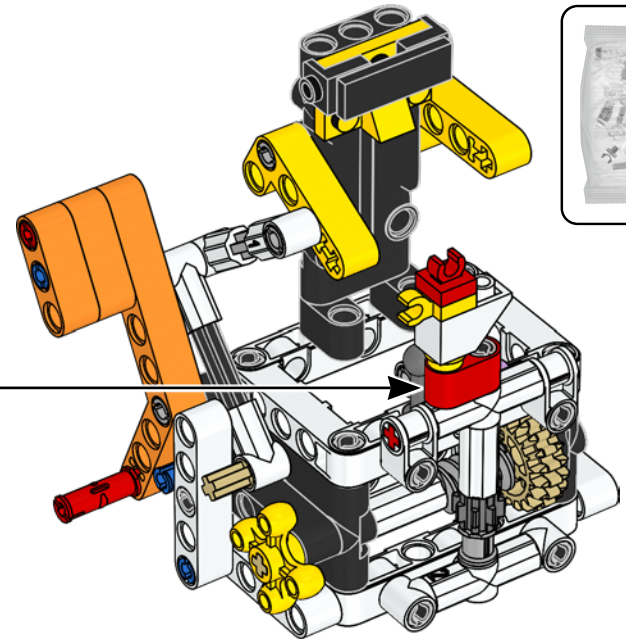




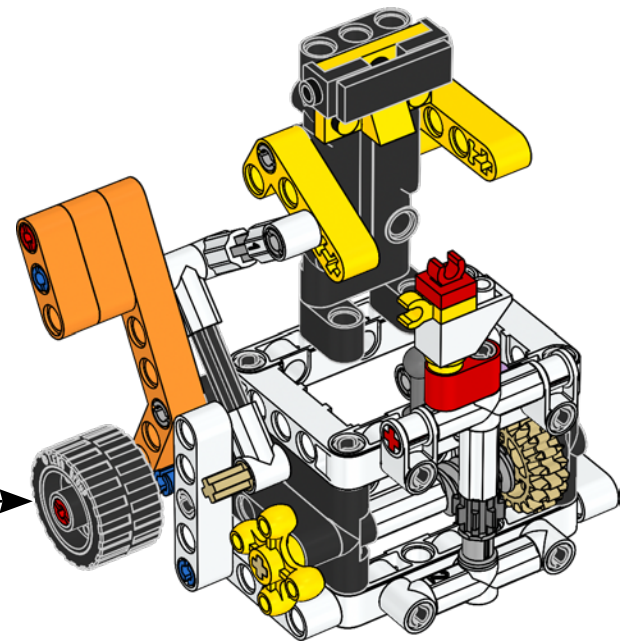
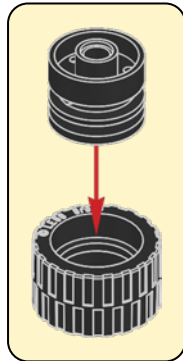
31



11



32



LEGO and the LEGO logo are trademarks of the/son des marques de commerce du/son marcas registradas de LEGO Group.
 ©2023 The LEGO Group.
 FIRST™ is a registered trademark of For Inspiration and Recognition of Science and Technology (FIRST). LEGO® is a registered trademark of the LEGO Group. FIRST™ LEGO® League and MASTERPIECE™ are jointly held trademarks of FIRST and the LEGO Group.
 ©2023 FIRST and the LEGO Group. All rights reserved.