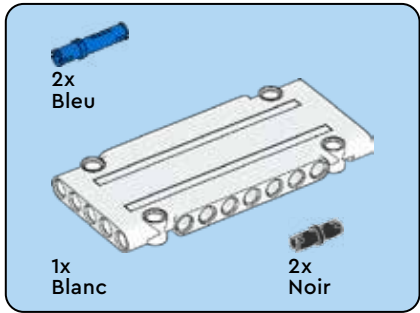
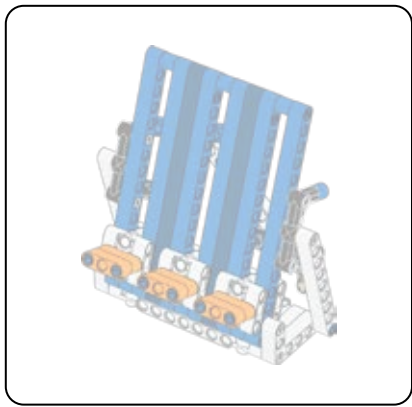
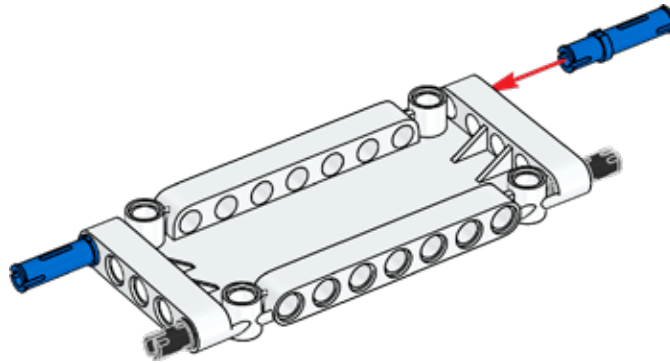
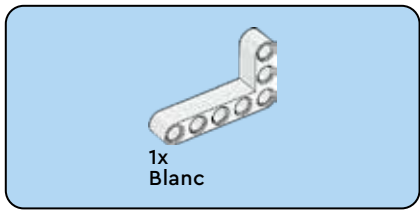


45823

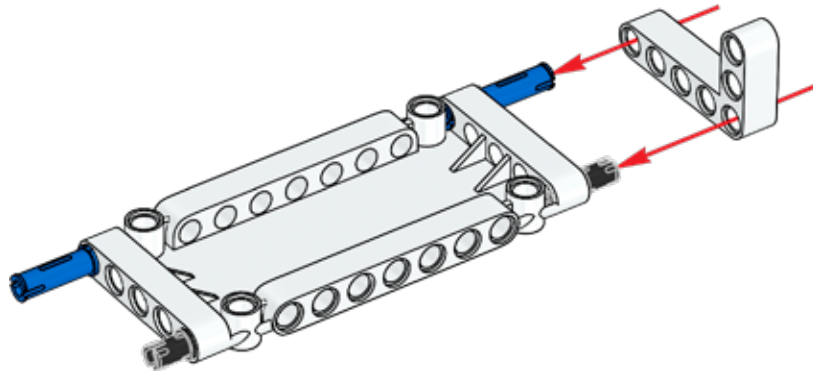


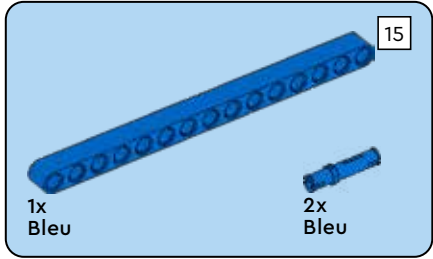
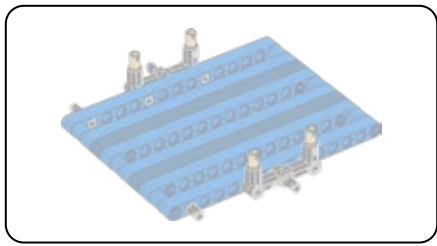
1



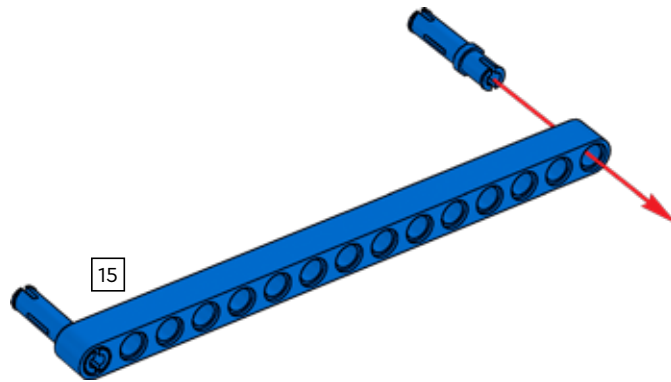


2



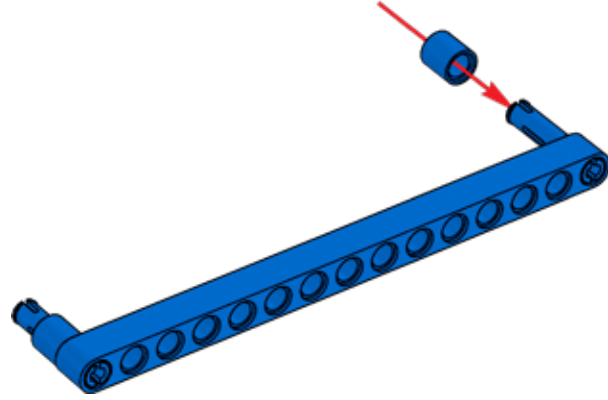


3



2x
Bleu

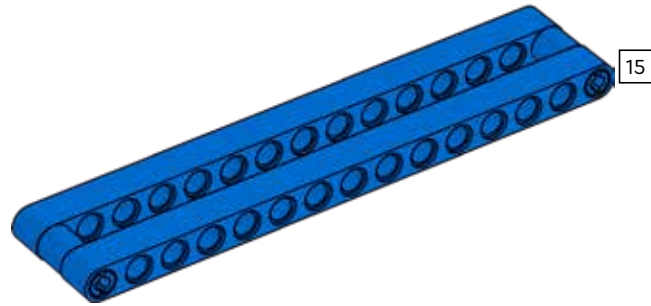
4

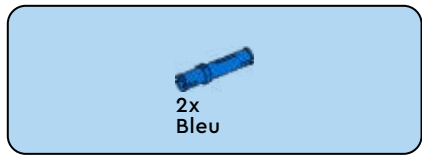


15

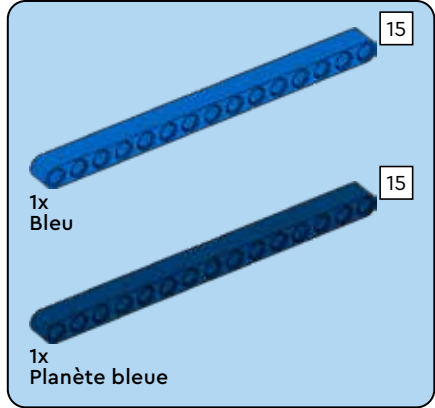
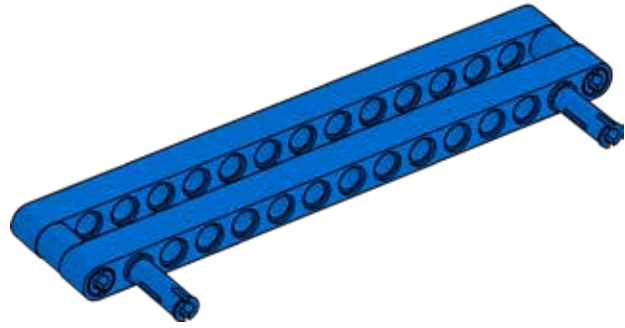
1x
Bleu

5

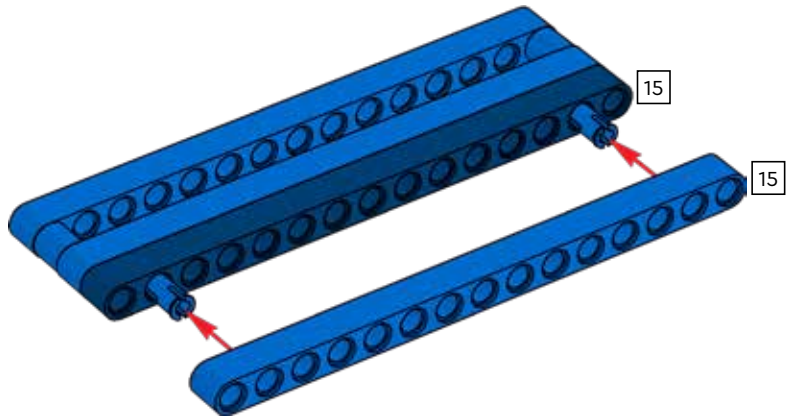


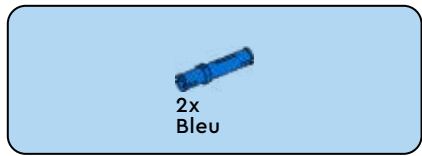


6

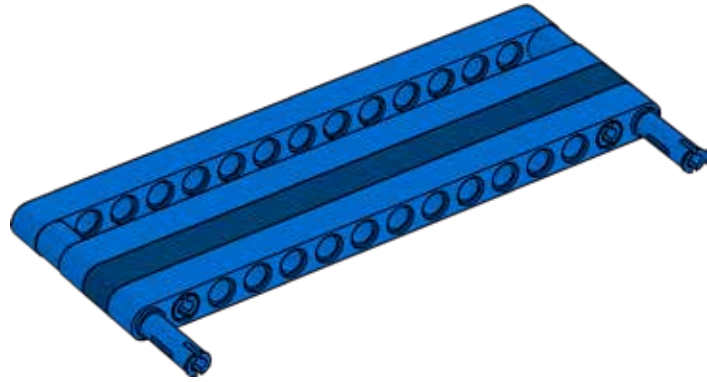


7

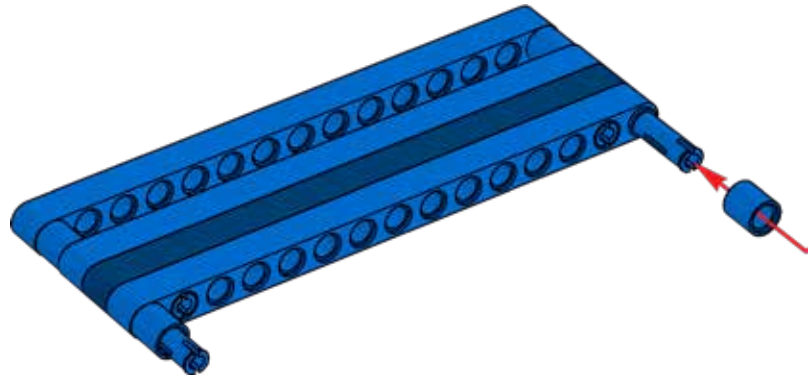


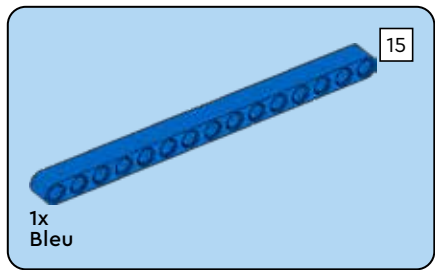


8

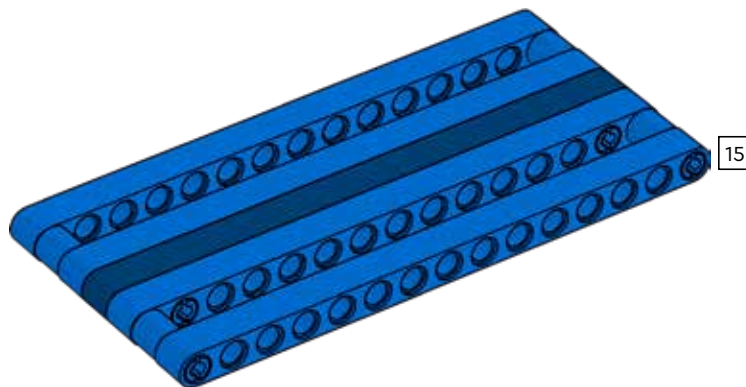


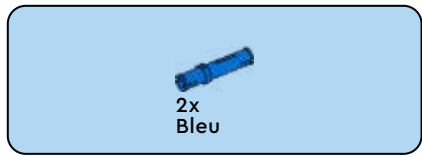
9



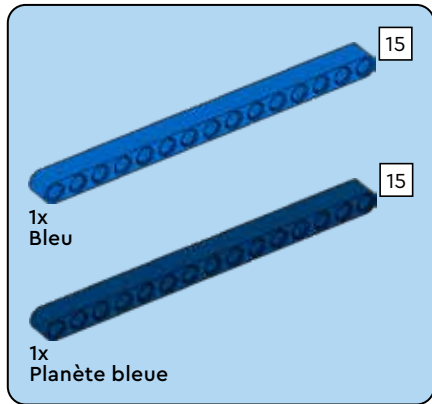
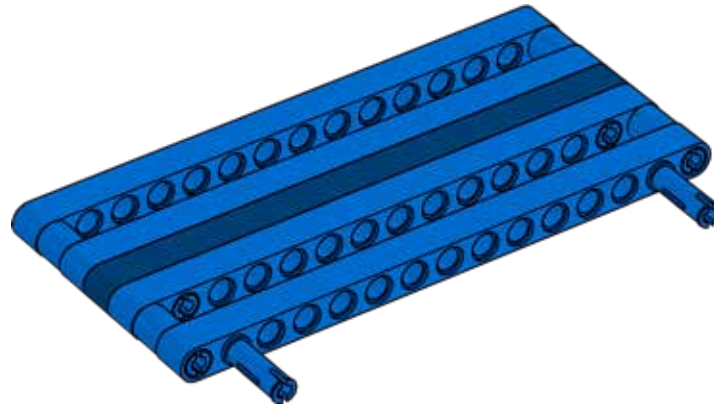


10

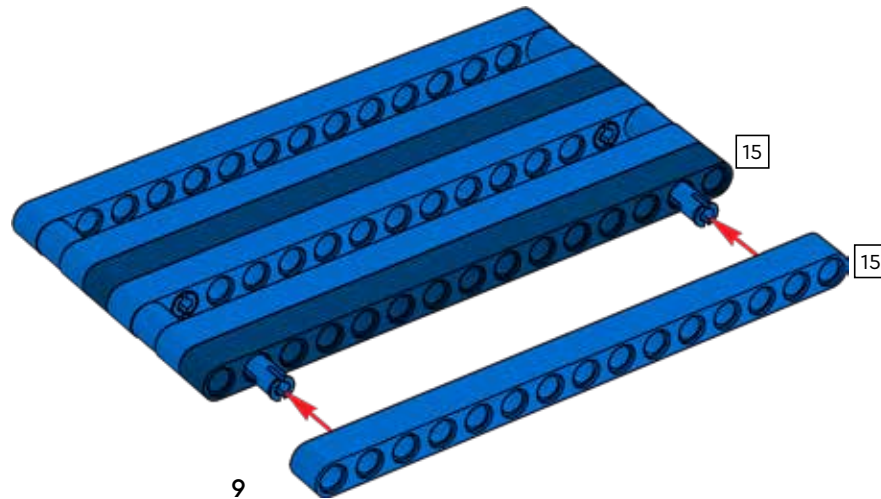


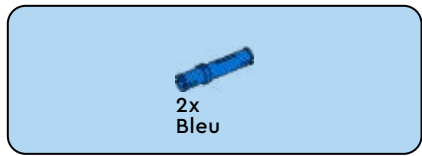


11

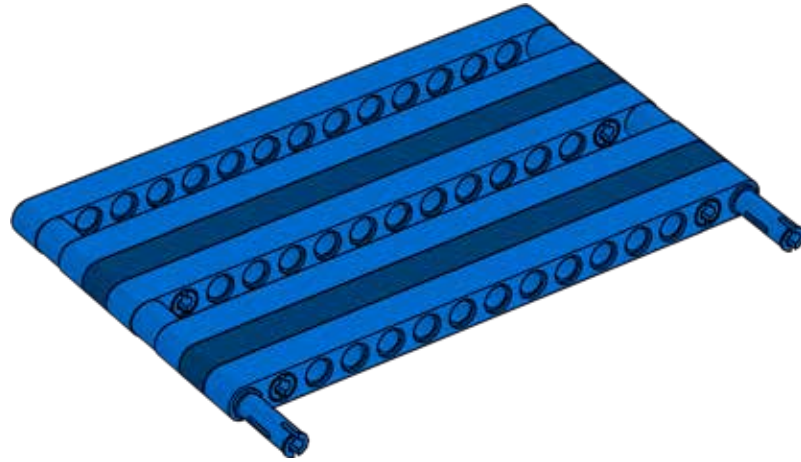


12

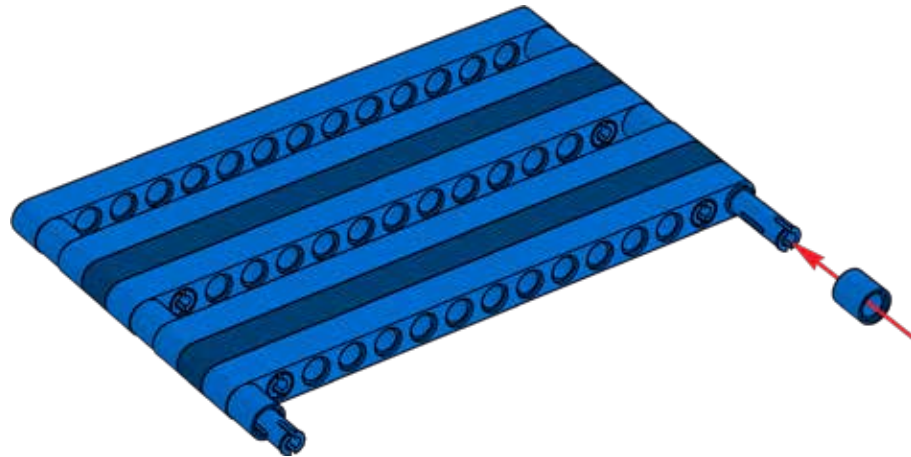


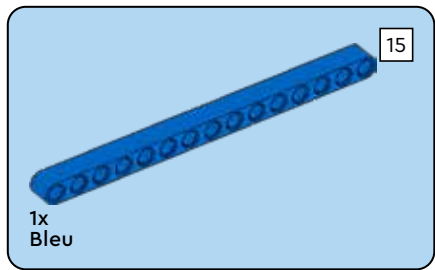


13



14

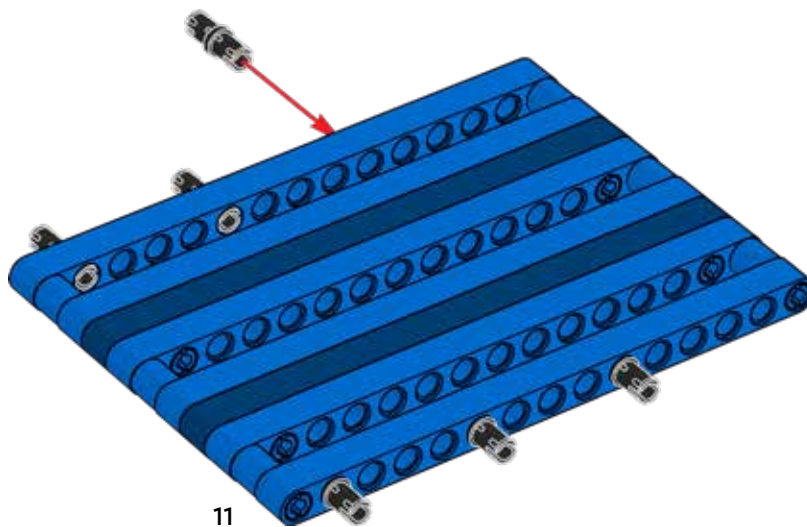
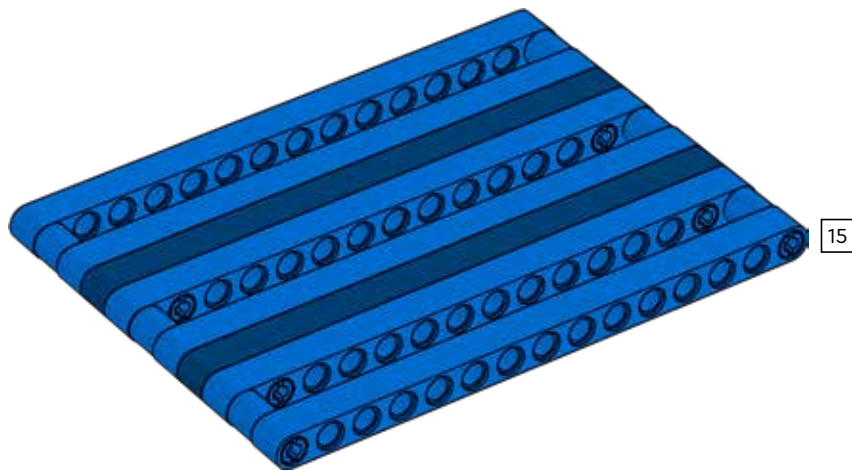


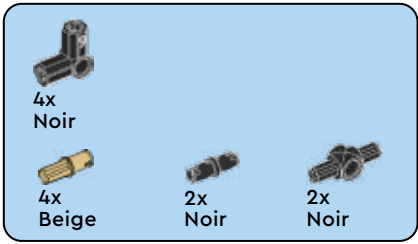


15

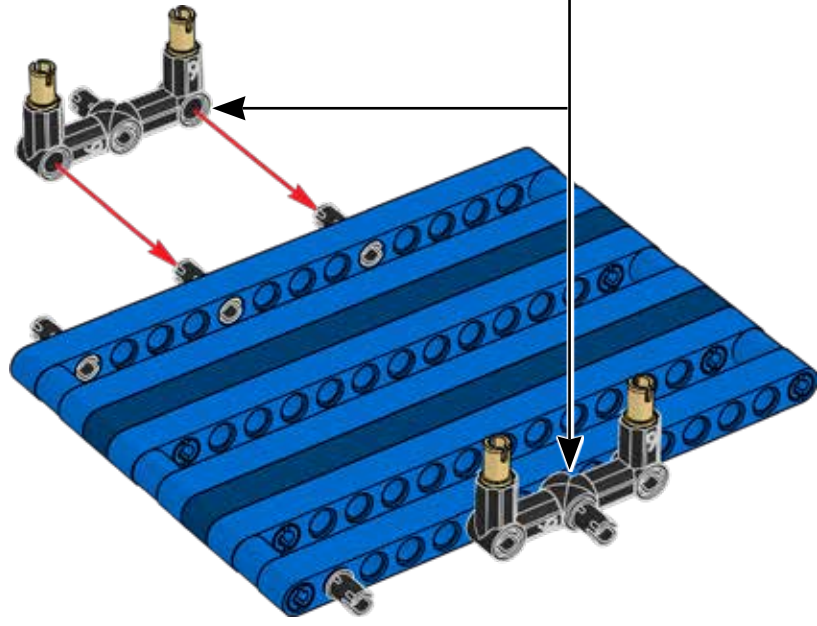
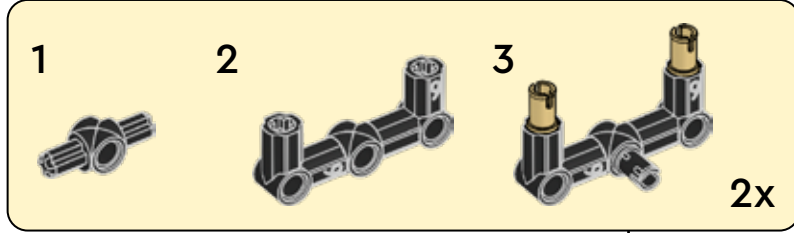


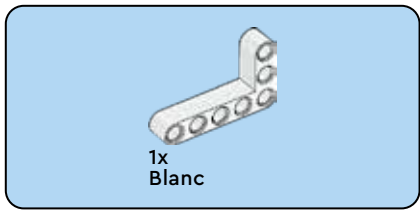
16



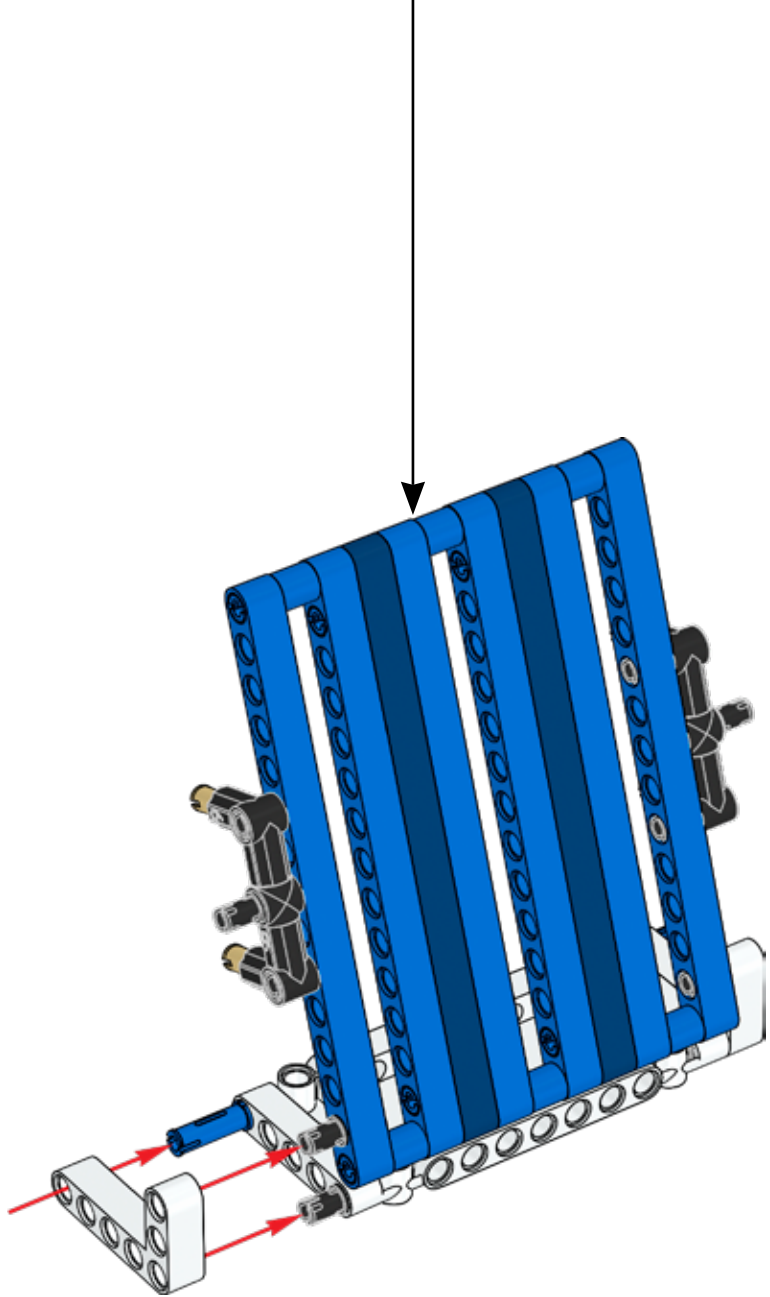


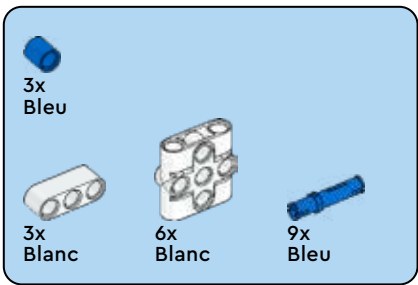
17



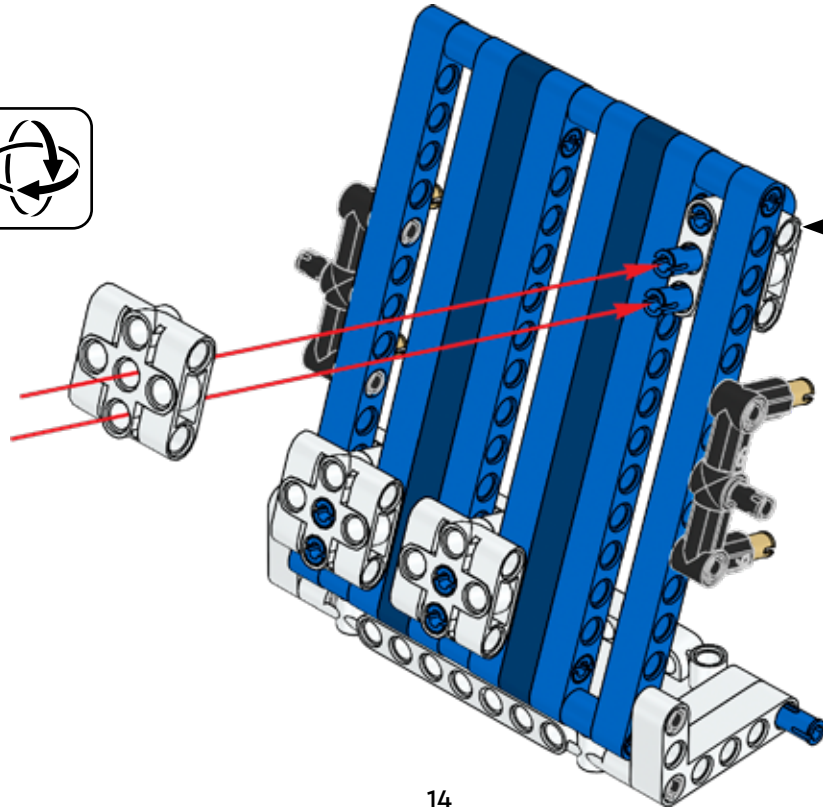
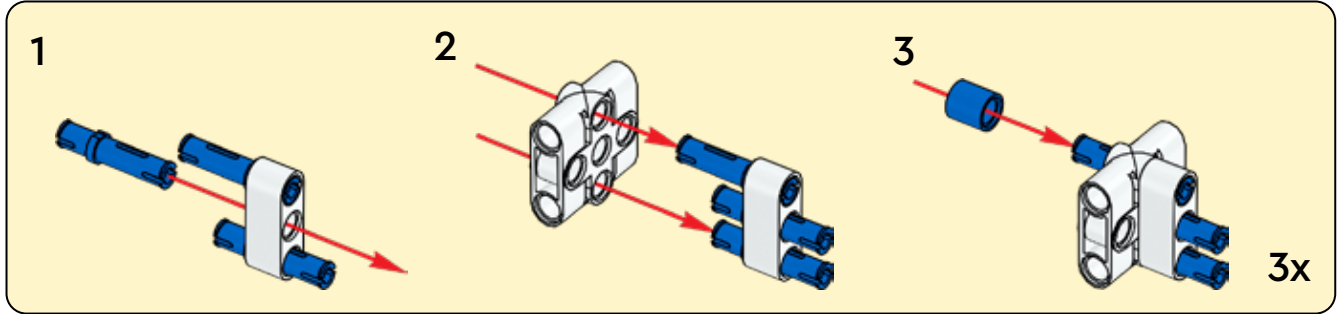


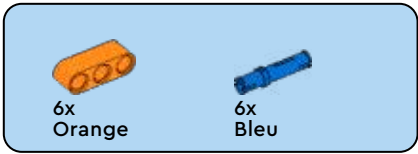
18



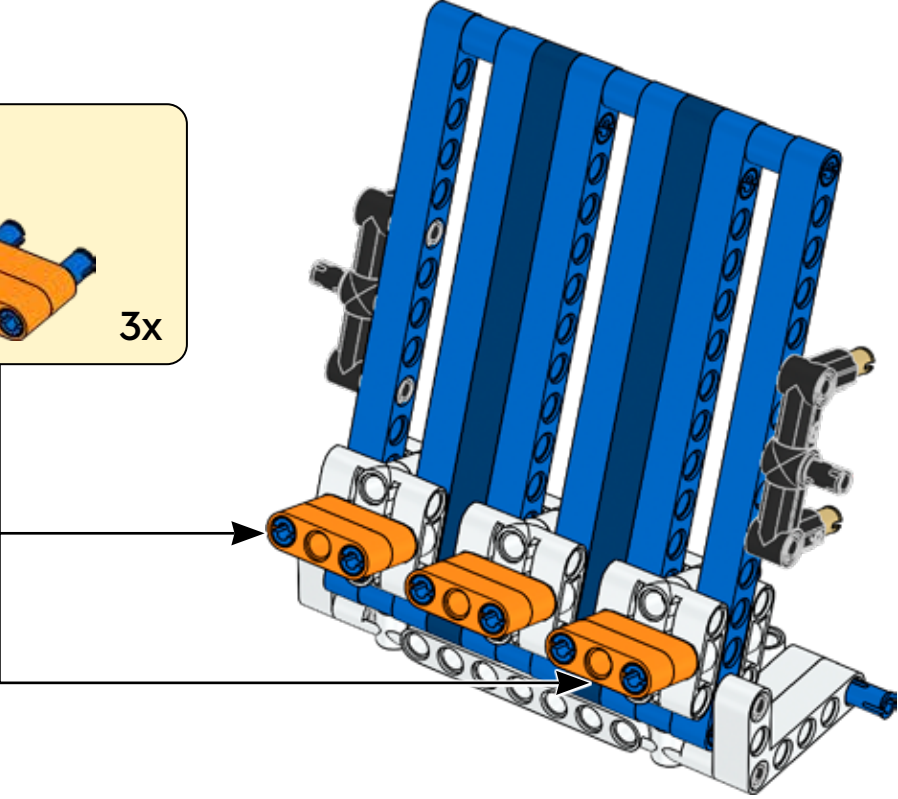
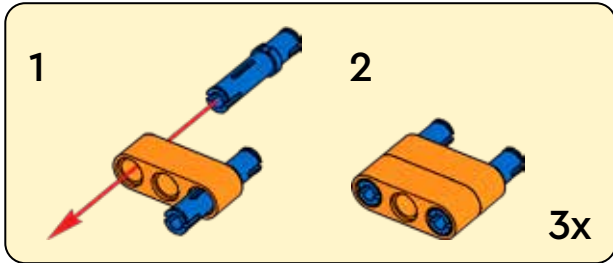


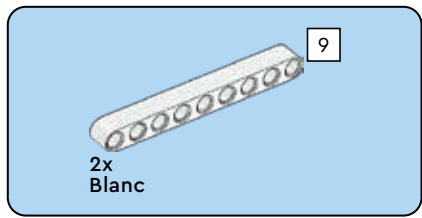
19



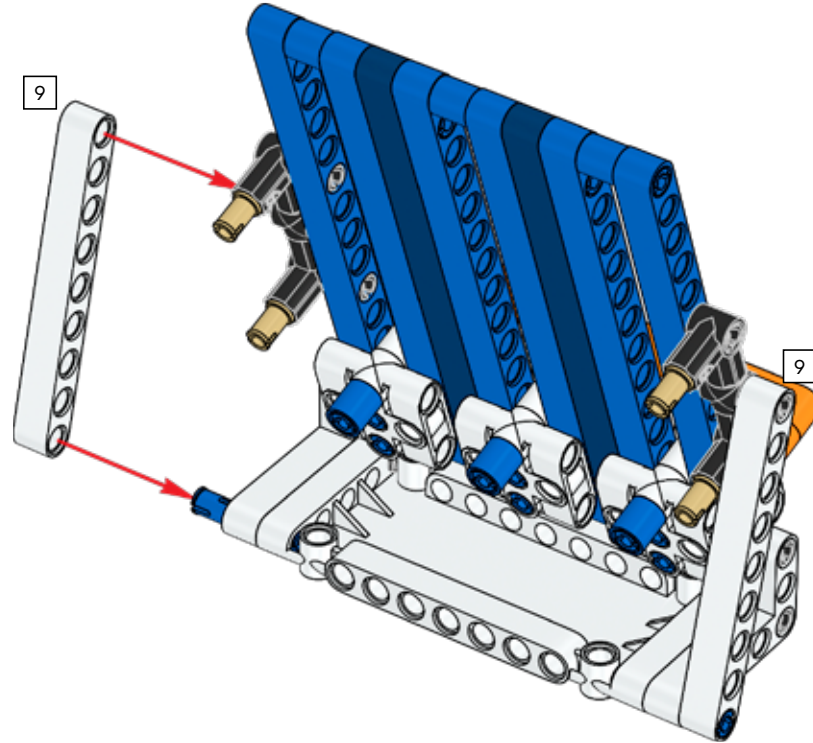


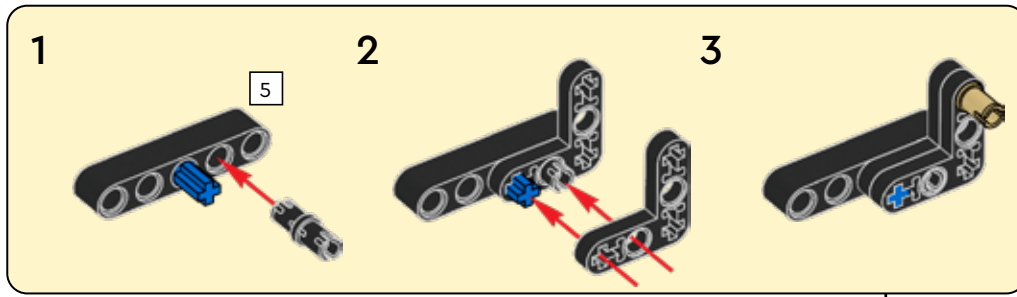
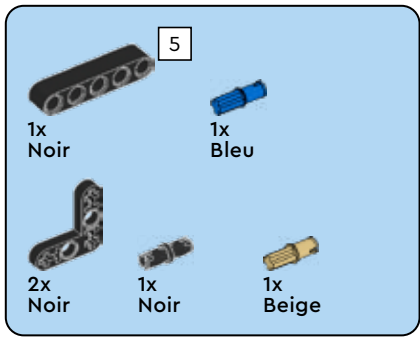
20



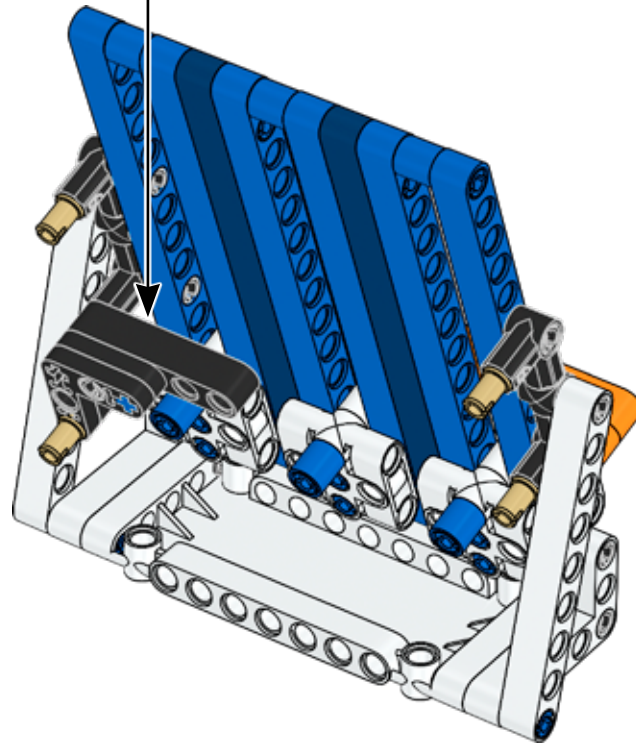


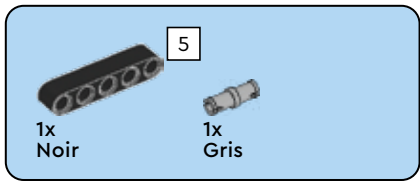
21



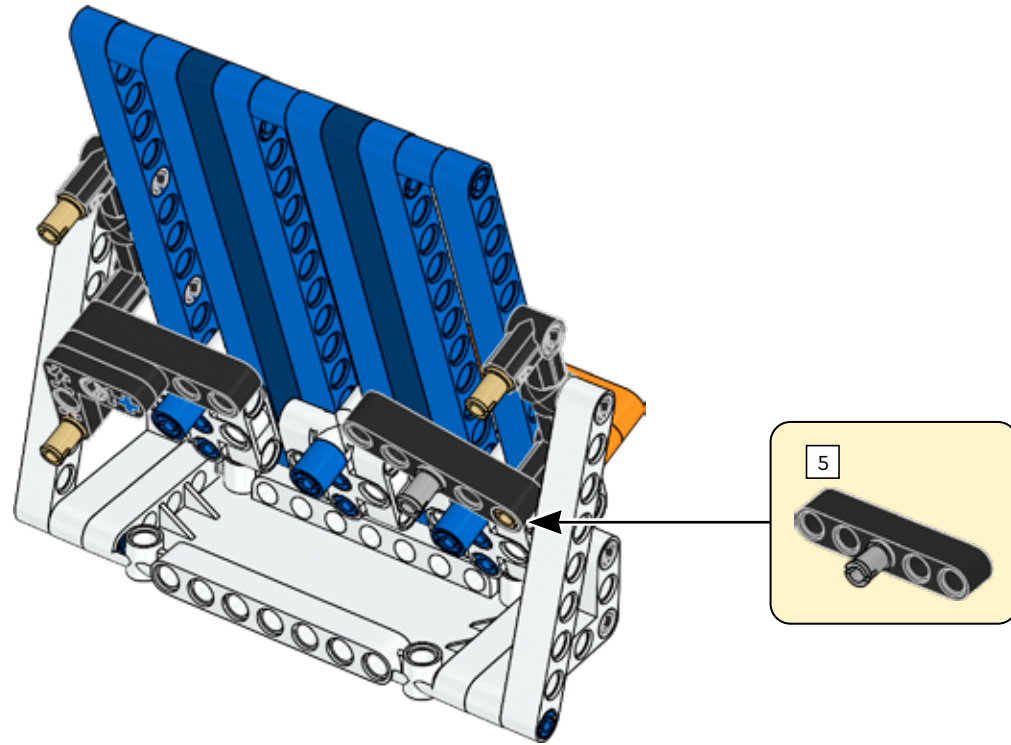


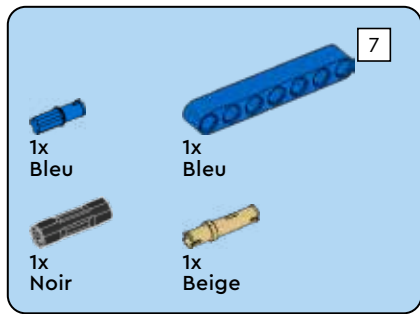
22



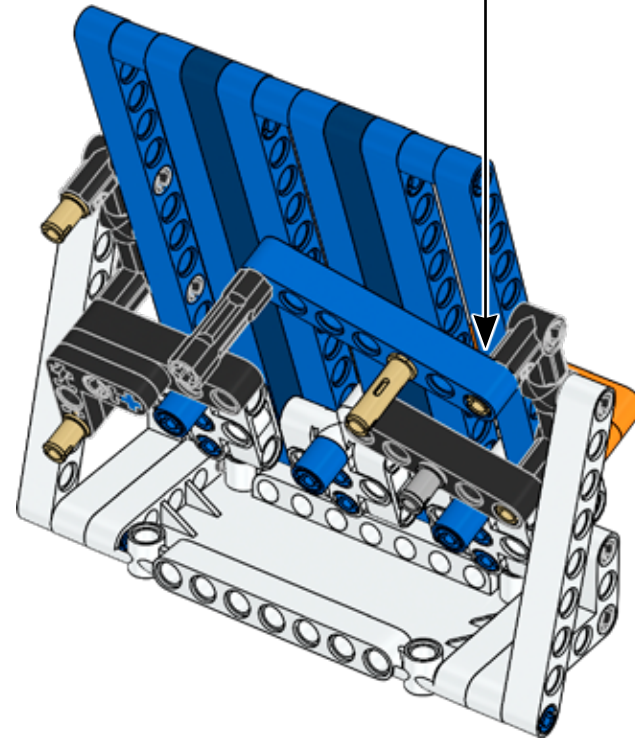
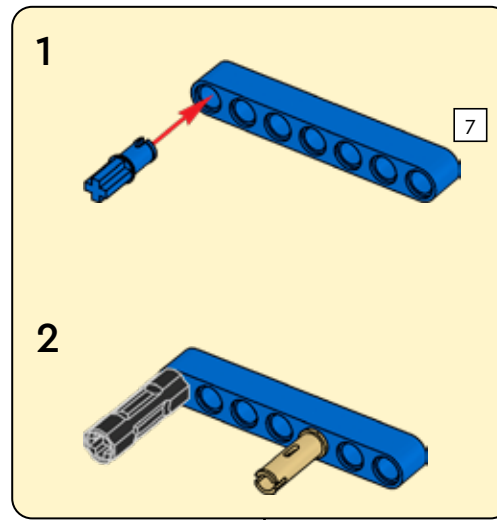


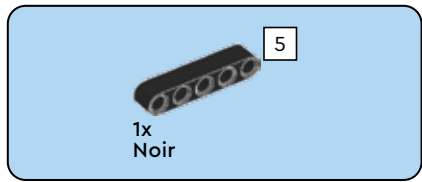
23



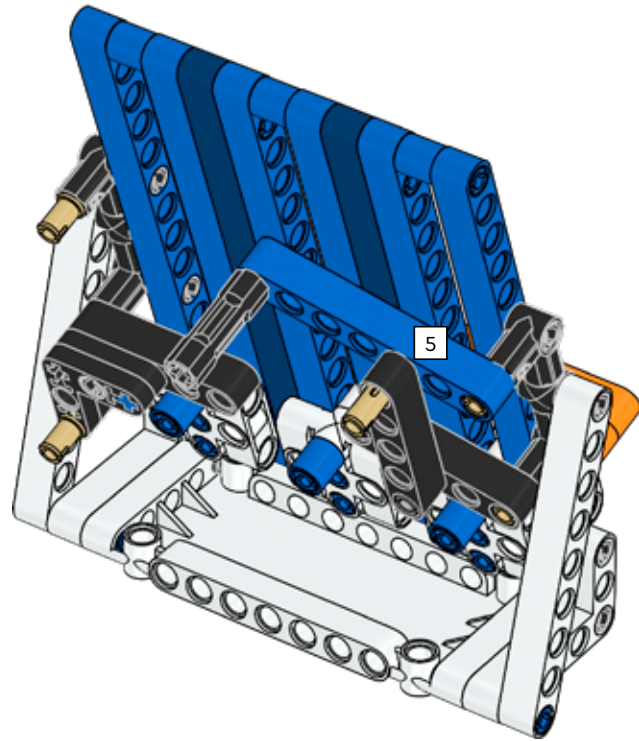


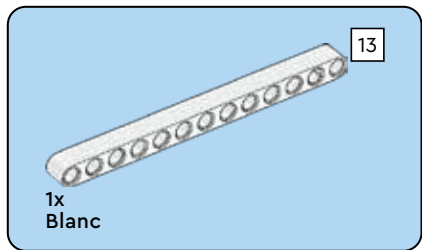
24



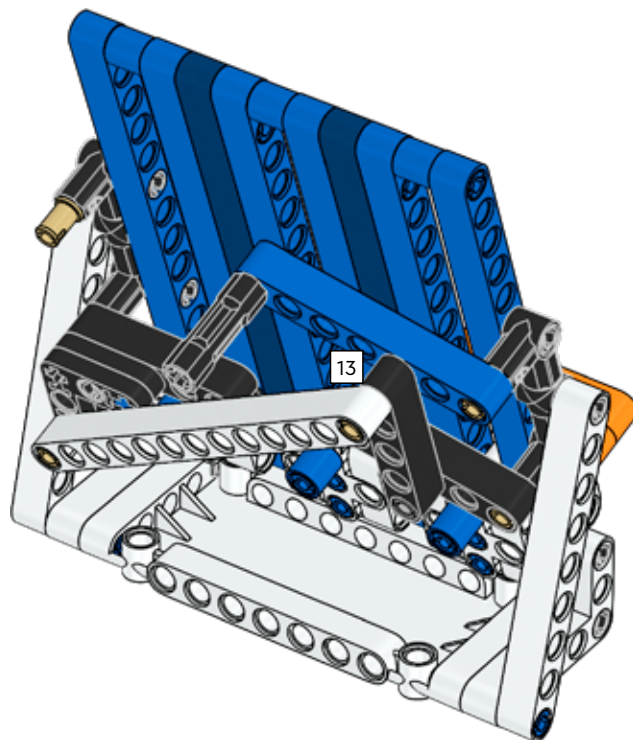


25





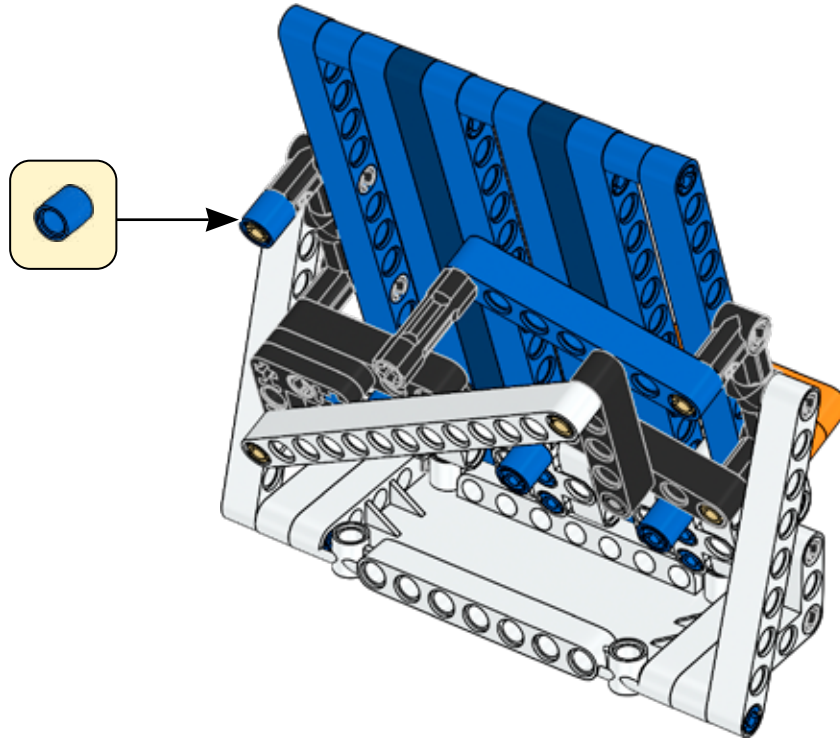
26





1x
Bleu

27



LEGO and the LEGO logo are trademarks of the/sont des marques de commerce du/son marcas registradas de LEGO Group.
©2023 The LEGO Group.

FIRST® is a registered trademark of For Inspiration and Recognition of Science and Technology (FIRST). LEGO® is a registered trademark of the LEGO Group. FIRST® LEGO® League and MASTERPIECE™ are jointly held trademarks of FIRST and the LEGO Group.
©2023 FIRST and the LEGO Group. All rights reserved.