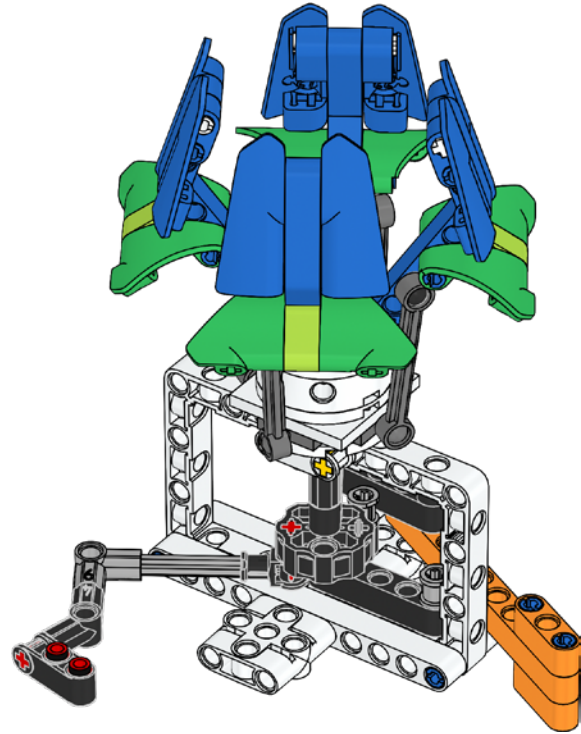
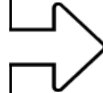
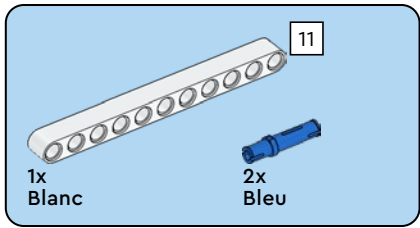
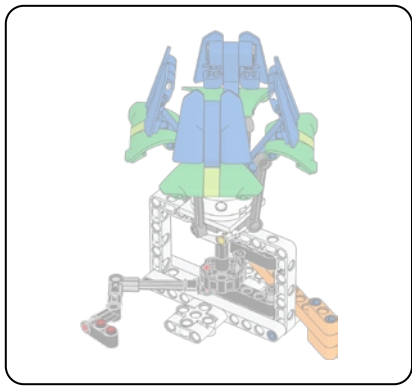


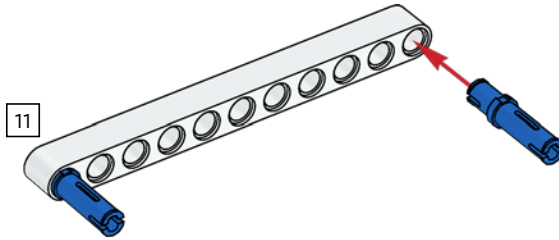
1x
Blanc



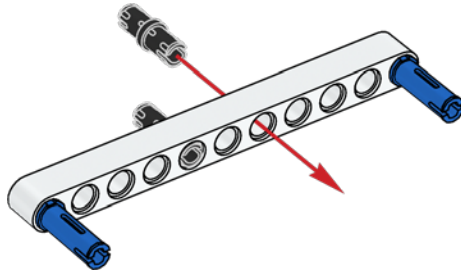
45823

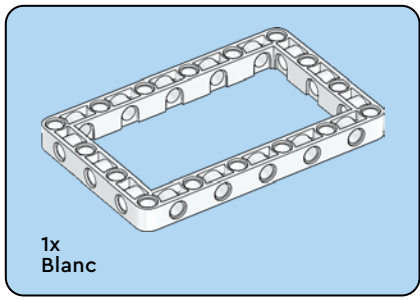


1

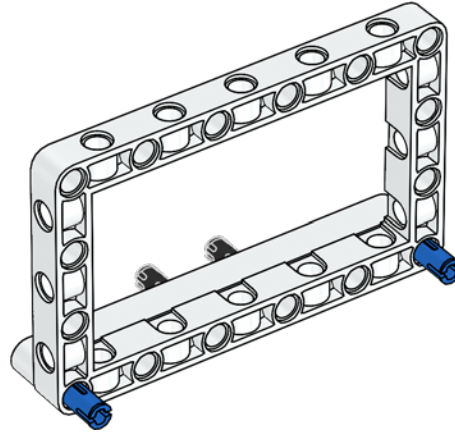


2

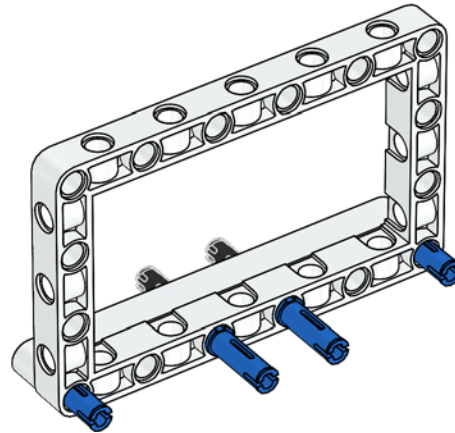


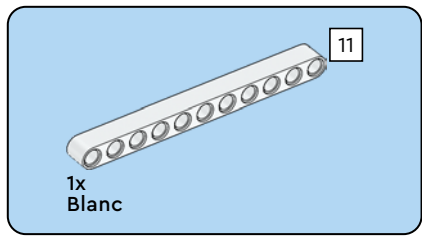


3

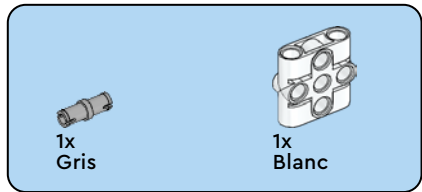
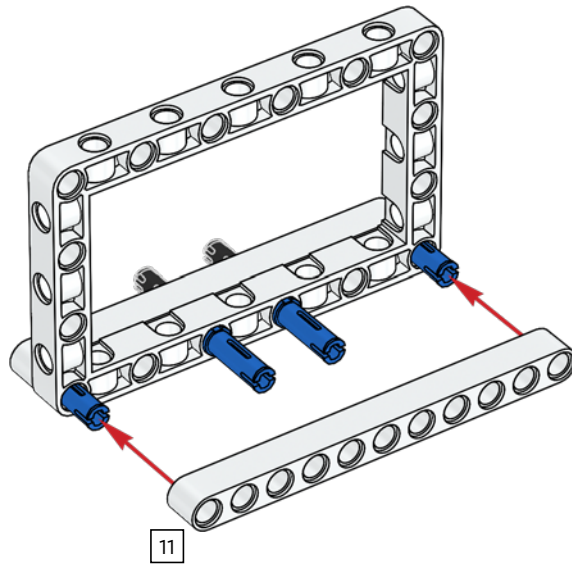


4

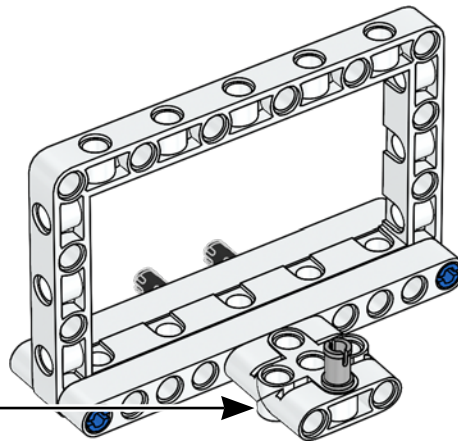
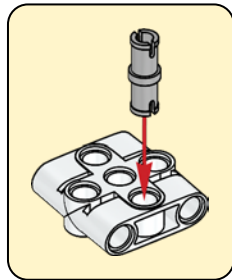




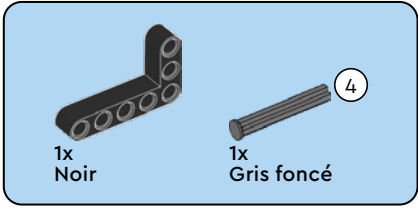
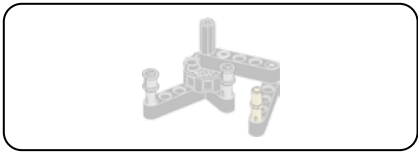
5



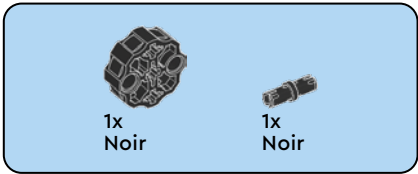
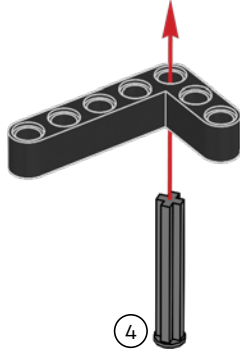
6



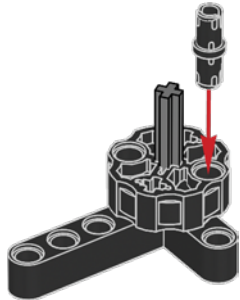
4



7

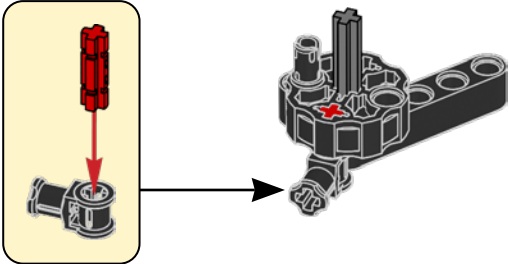


8



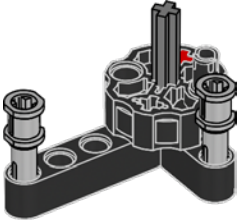
1x Rouge
1x Noir

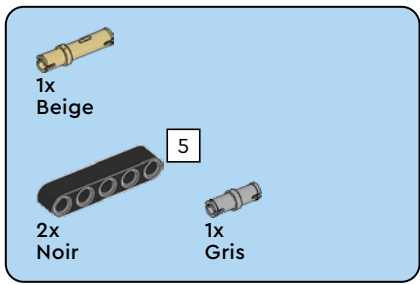
9



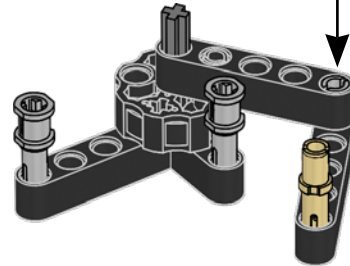
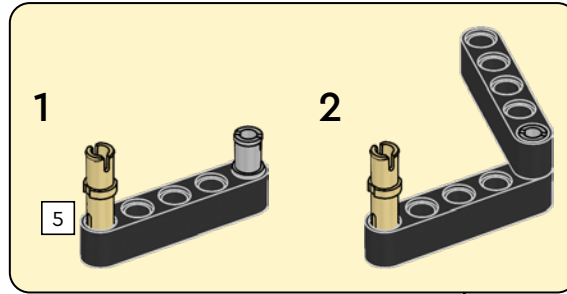
2x Gris

10





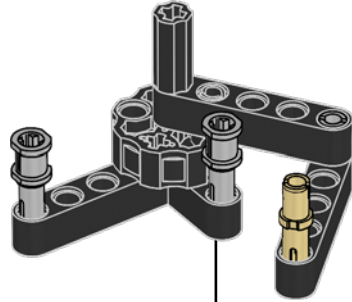
11



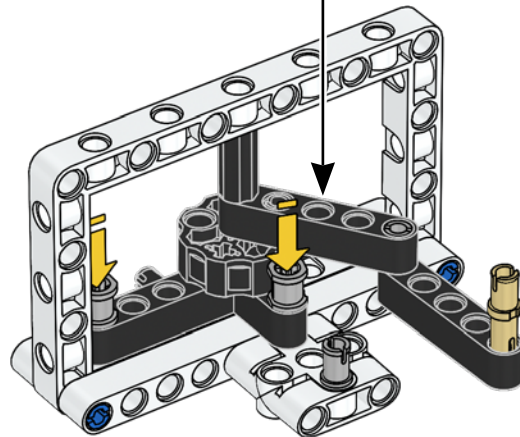


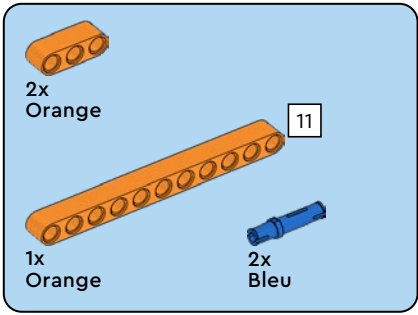
1x
Noir

12

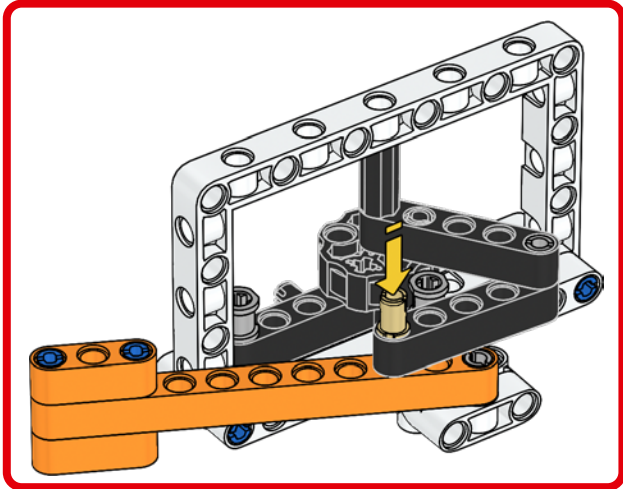
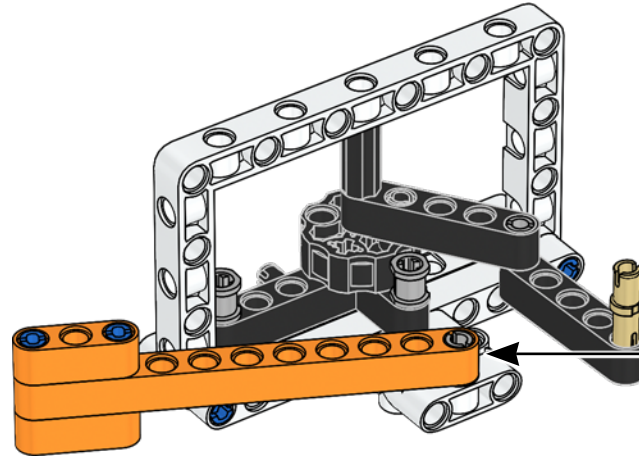
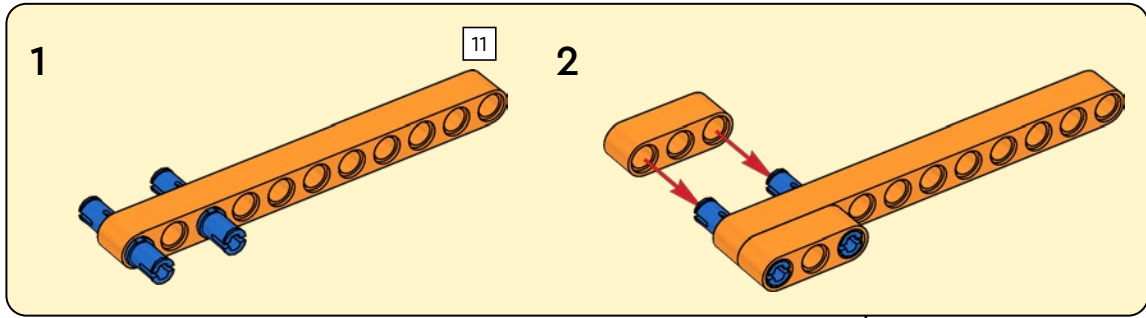


13





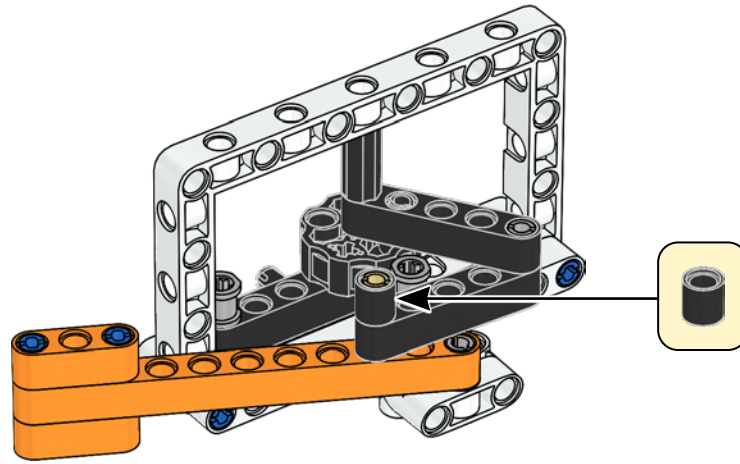
14





1x
Noir

15

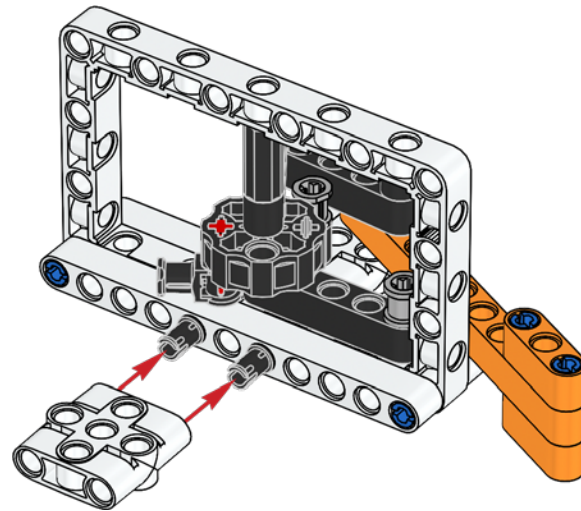
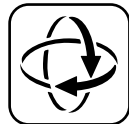


5

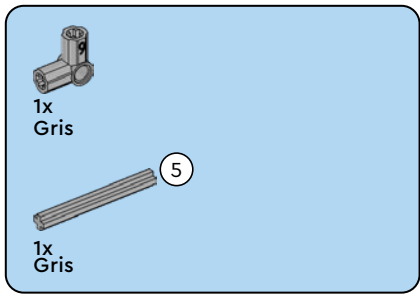


1x
Blanc

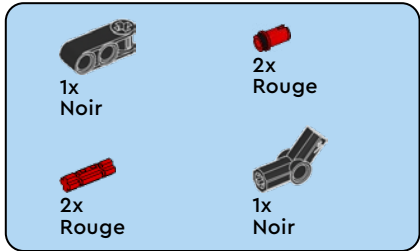
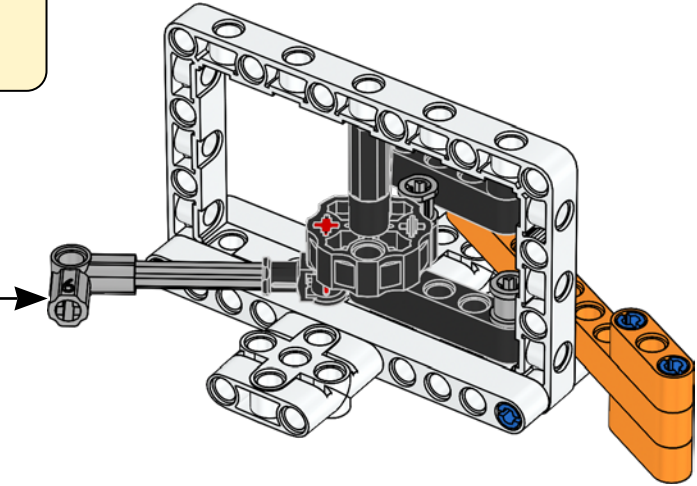
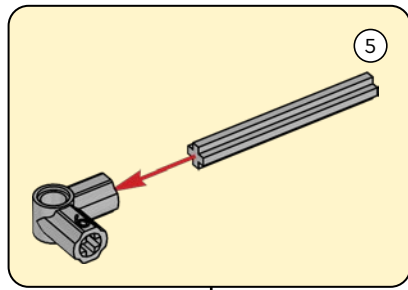
16



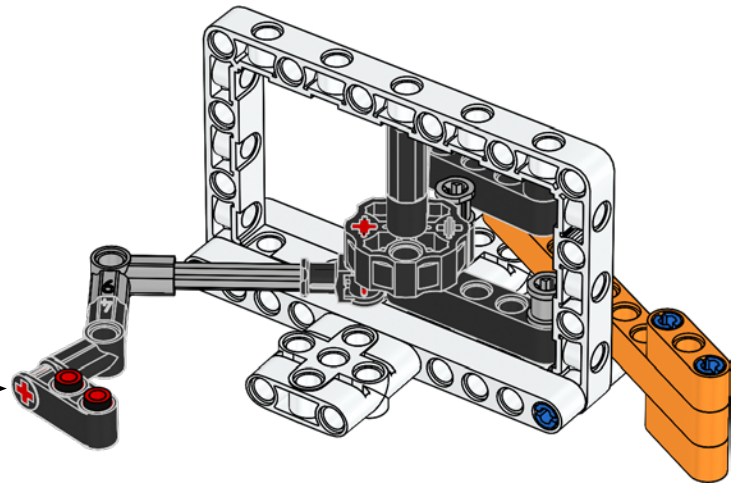
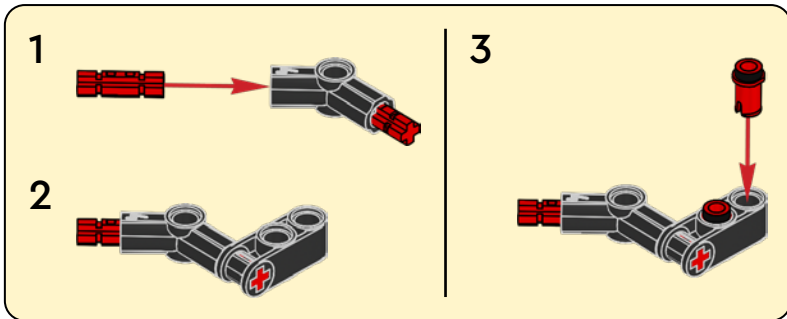
10

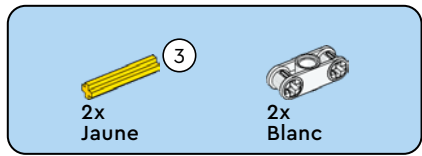


17

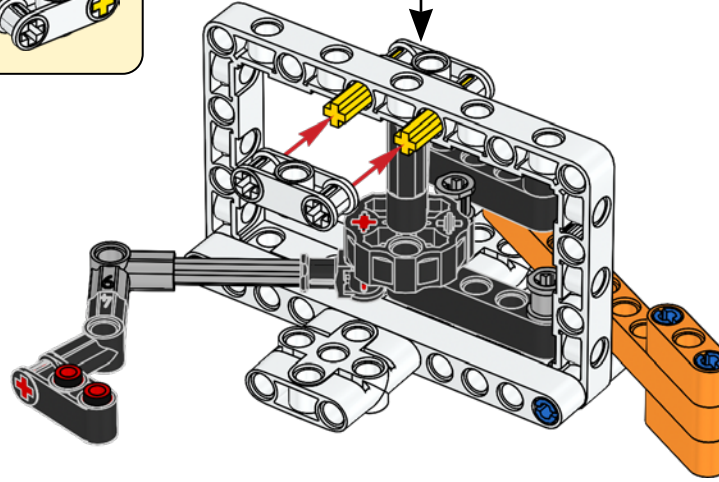
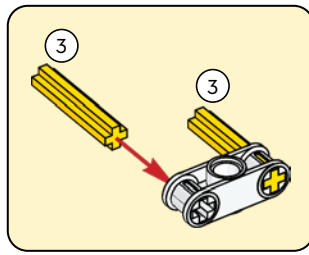


18

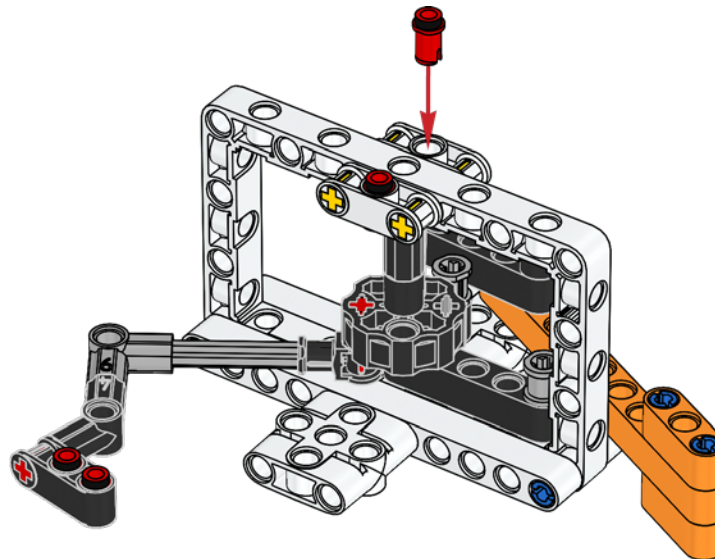


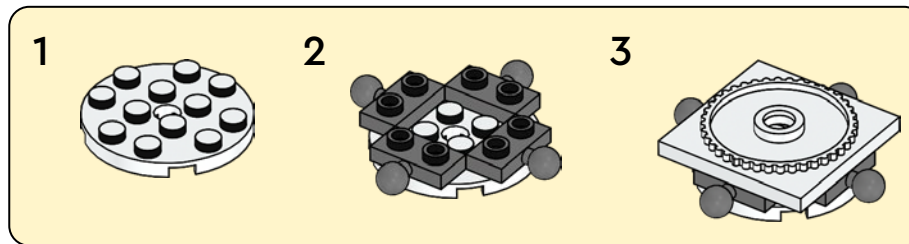
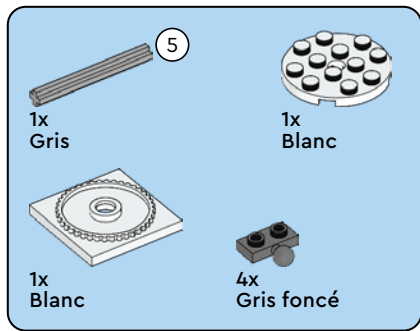


19

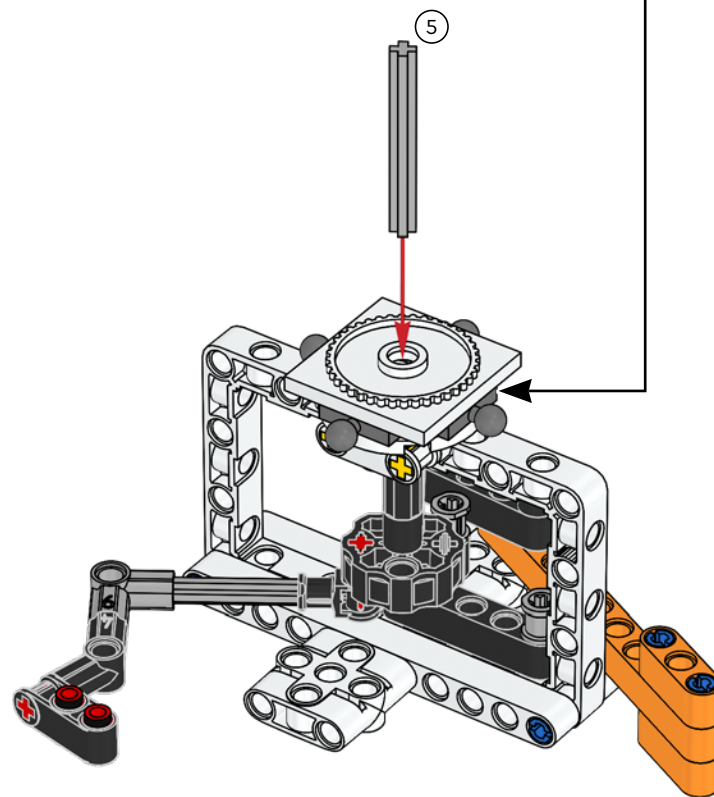


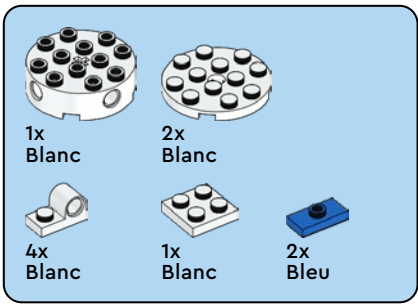
20





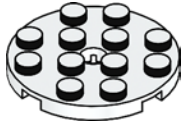
21



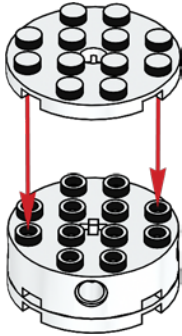


22

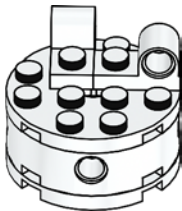
1



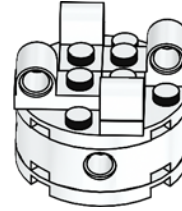
2



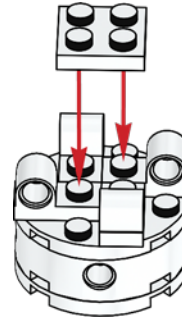
3



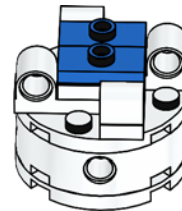
4

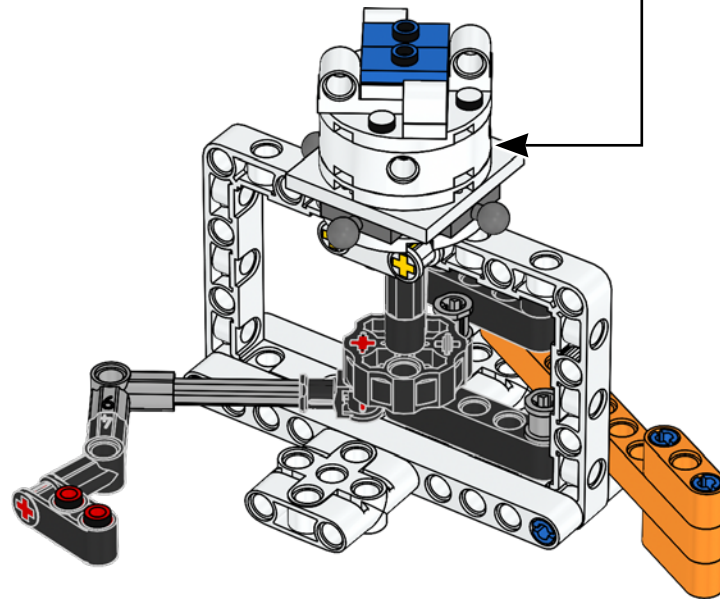


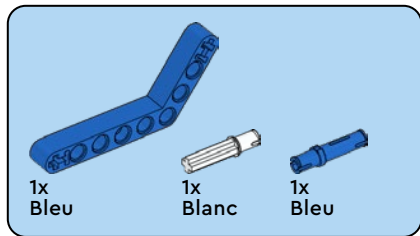
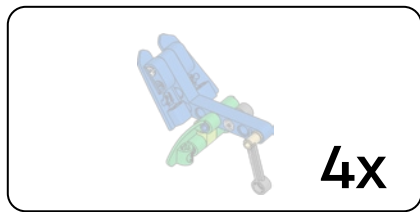
5



6



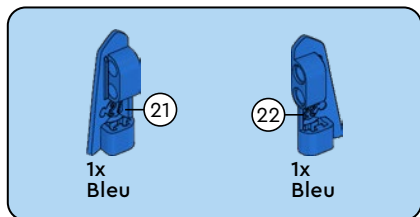




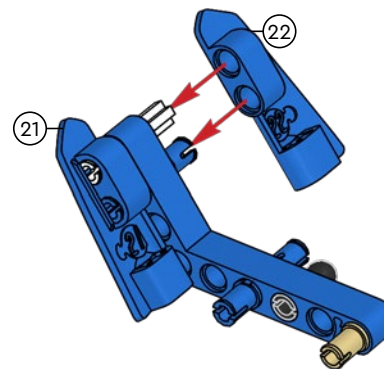
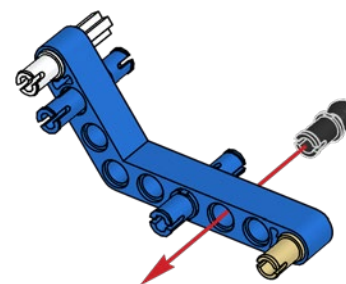
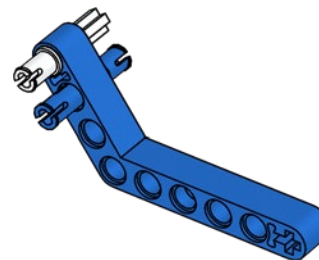
23

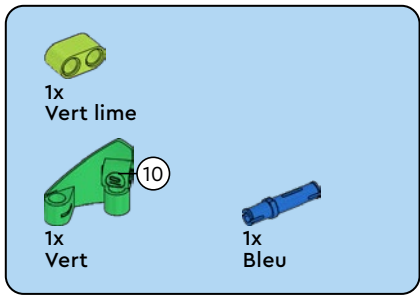


24

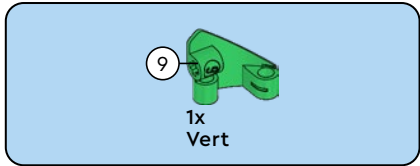
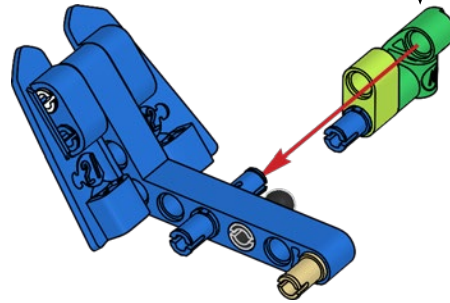
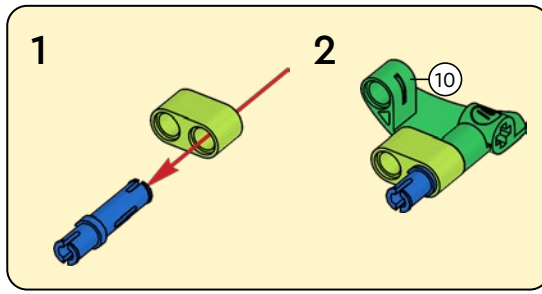


25

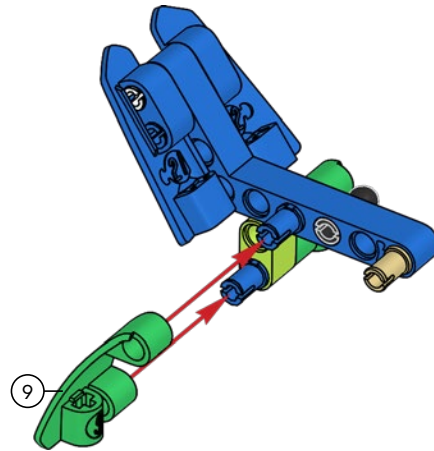


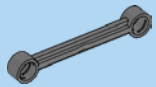


26



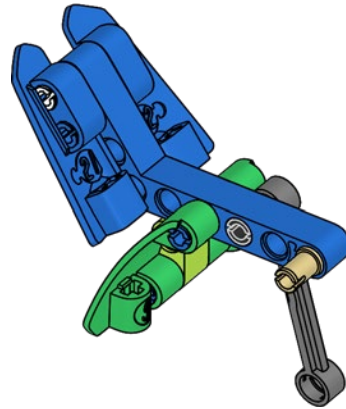
27





1x
Gris foncé

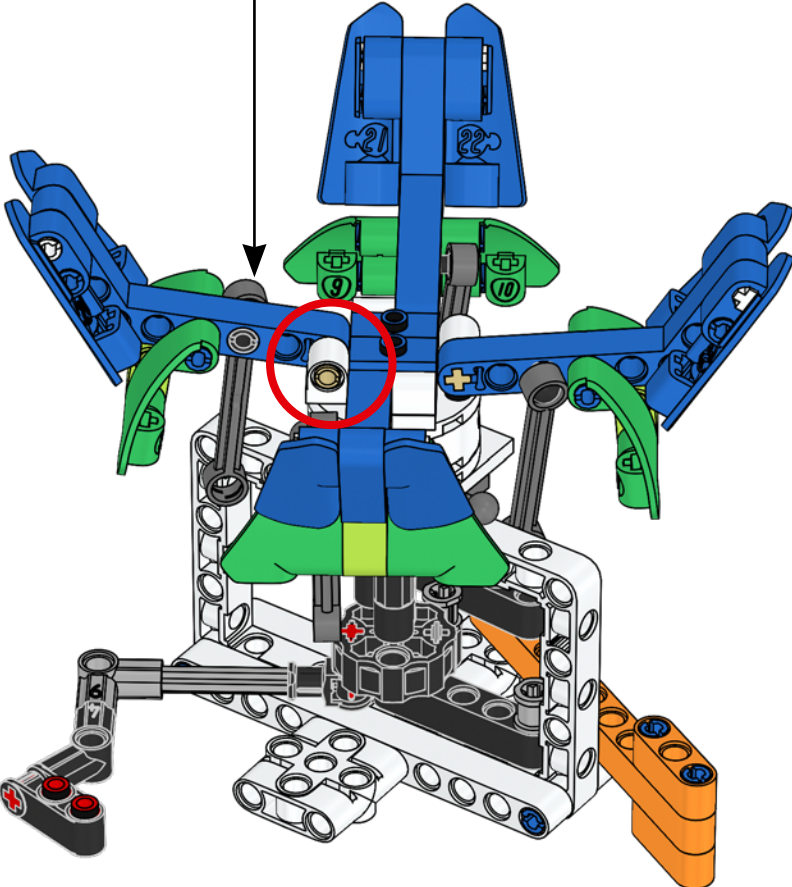
29



4x

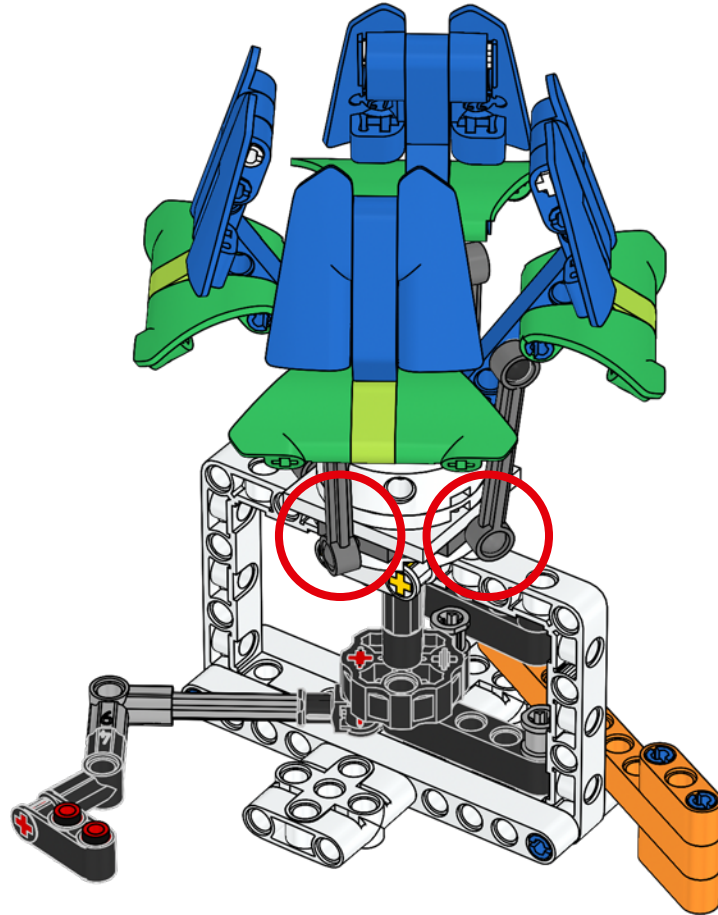


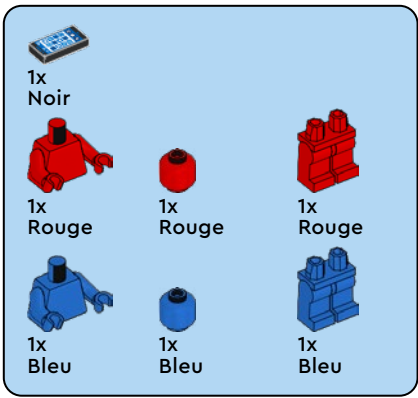
29



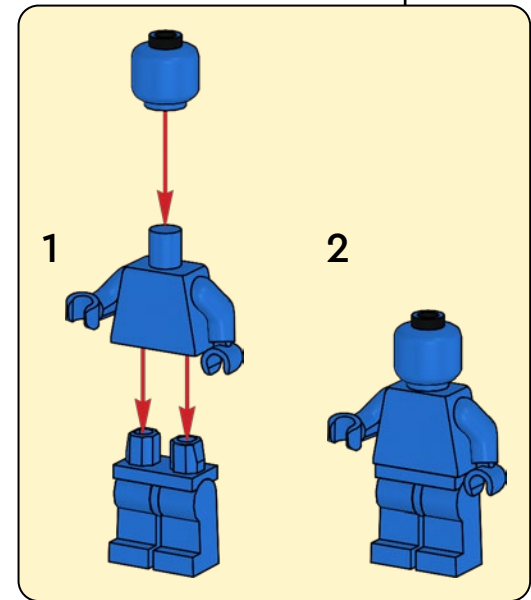
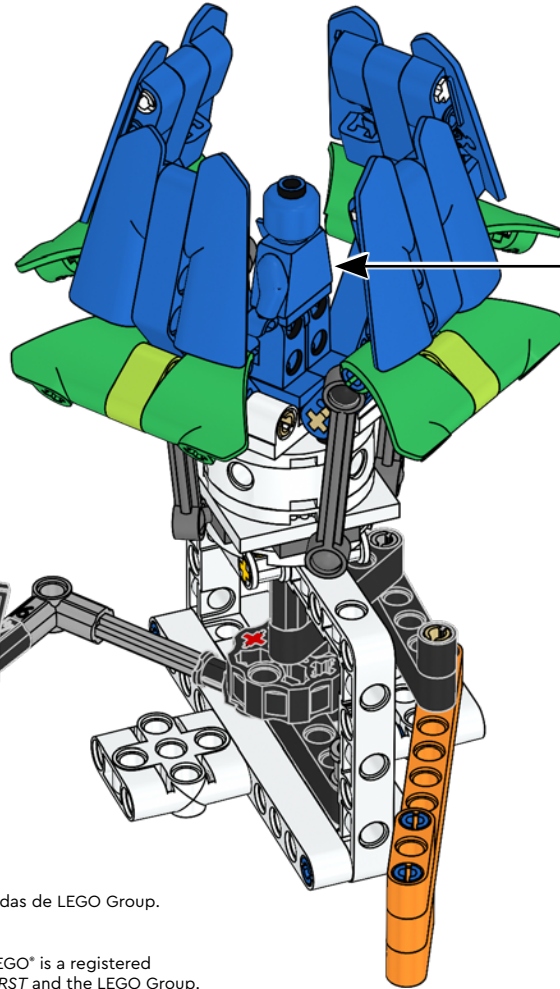
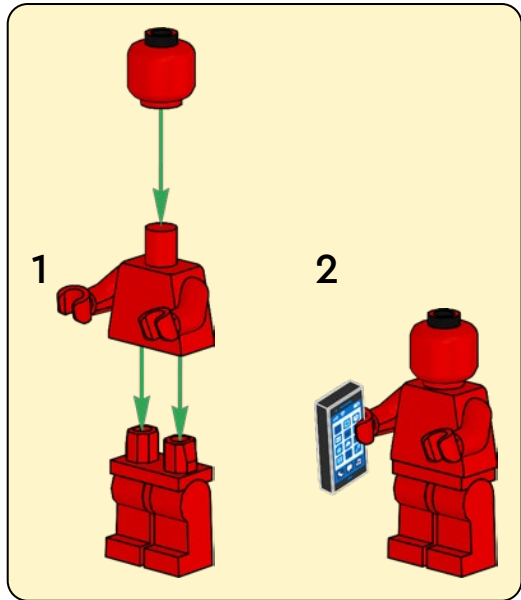


30





31



LEGO and the LEGO logo are trademarks of the/son des marques de commerce du/son marcas registradas de LEGO Group.
©2023 The LEGO Group.

FIRST® is a registered trademark of For Inspiration and Recognition of Science and Technology (FIRST). LEGO® is a registered trademark of the LEGO Group. FIRST® LEGO® League and MASTERPIECE™ are jointly held trademarks of FIRST and the LEGO Group.
©2023 FIRST and the LEGO Group. All rights reserved.