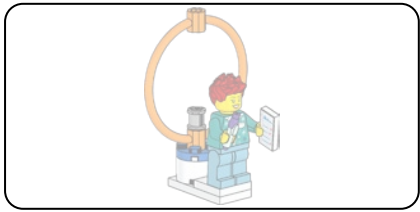


45823



1x Vert vif bleuté

1x Azur moyen

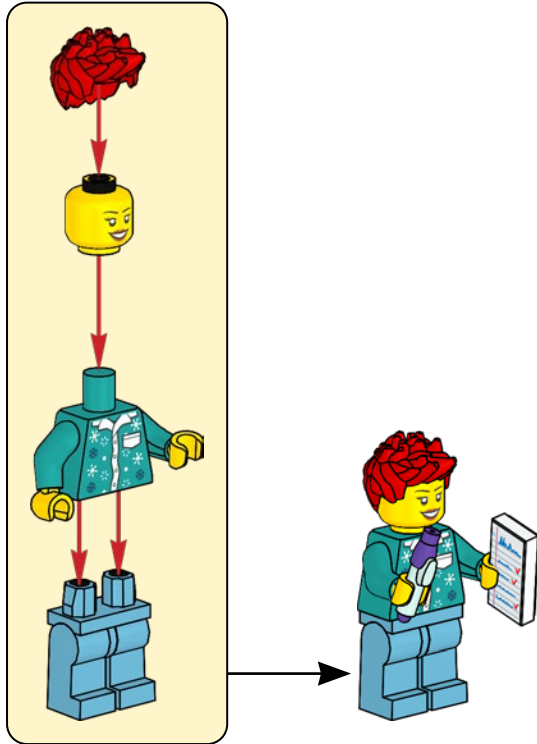
1x Rouge

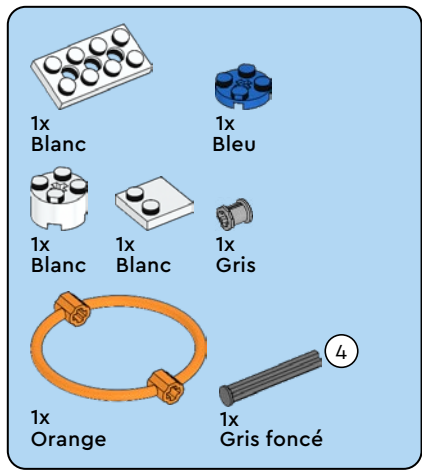
1x Jaune

1x Blanc

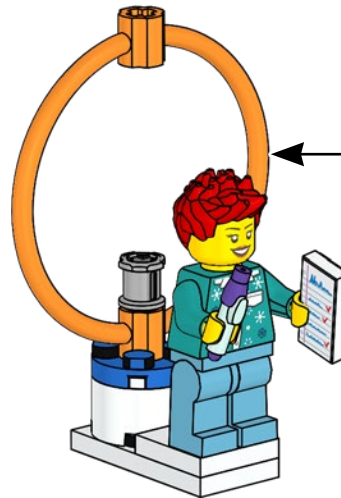
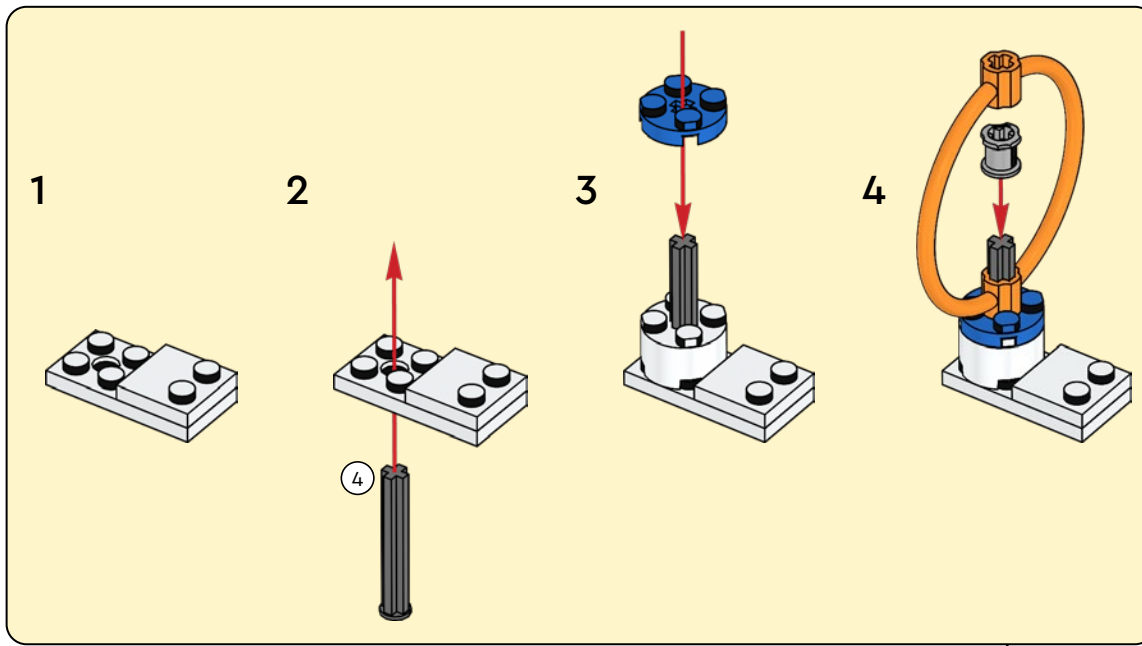
1x Aigue-marine

1

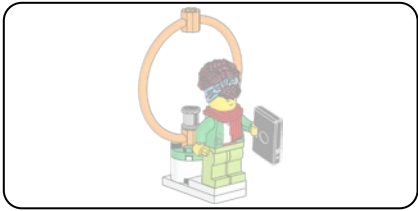




2

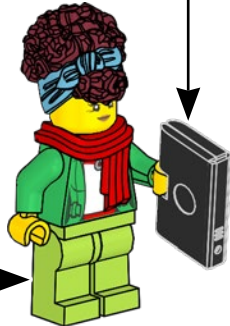
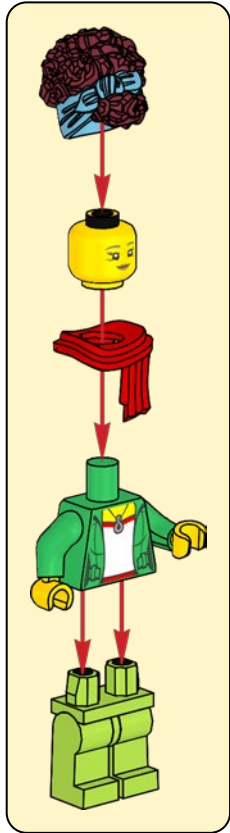


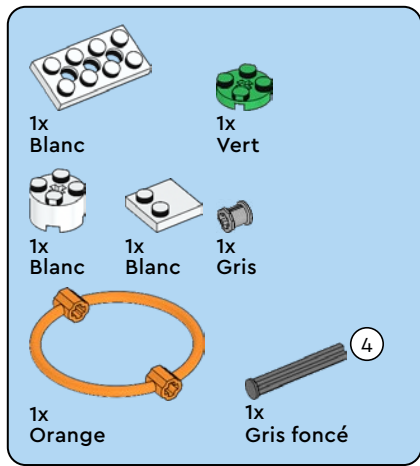
3



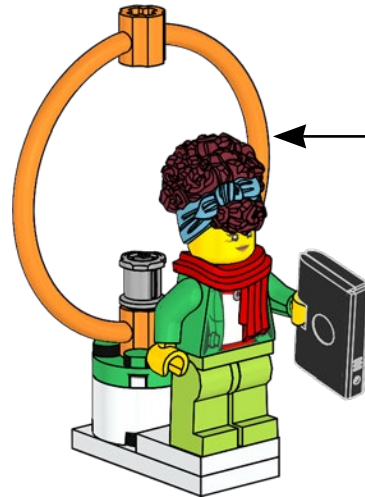
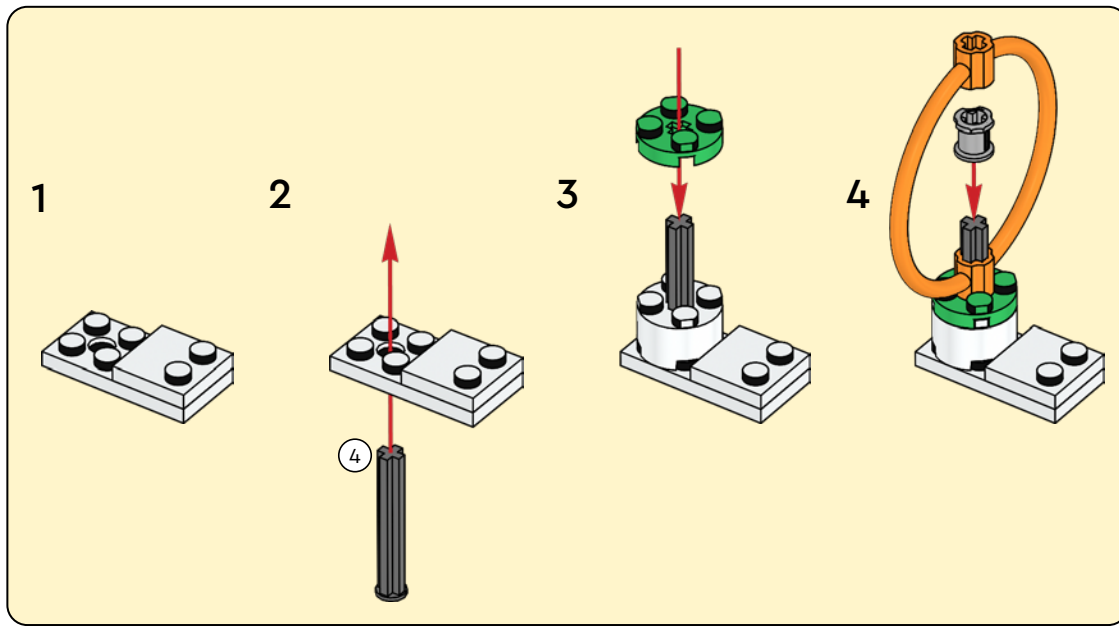
- 1x Vert lime
- 1x Jaune
- 1x Rouge
- 1x Brun rougeâtre
- 1x Vert
- 1x Noir

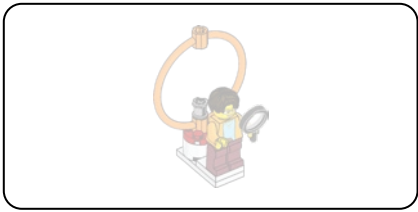
1





2





1x Orange clair

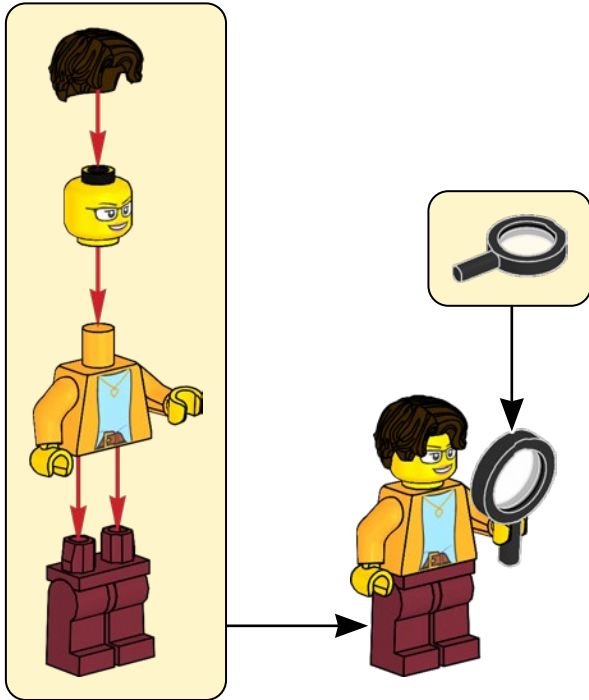
1x Jaune

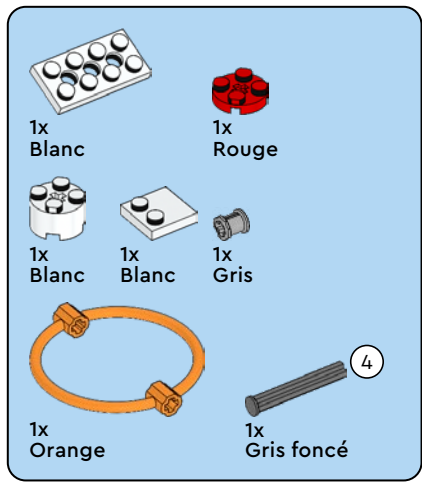
1x Brun rougeâtre

1x Noir

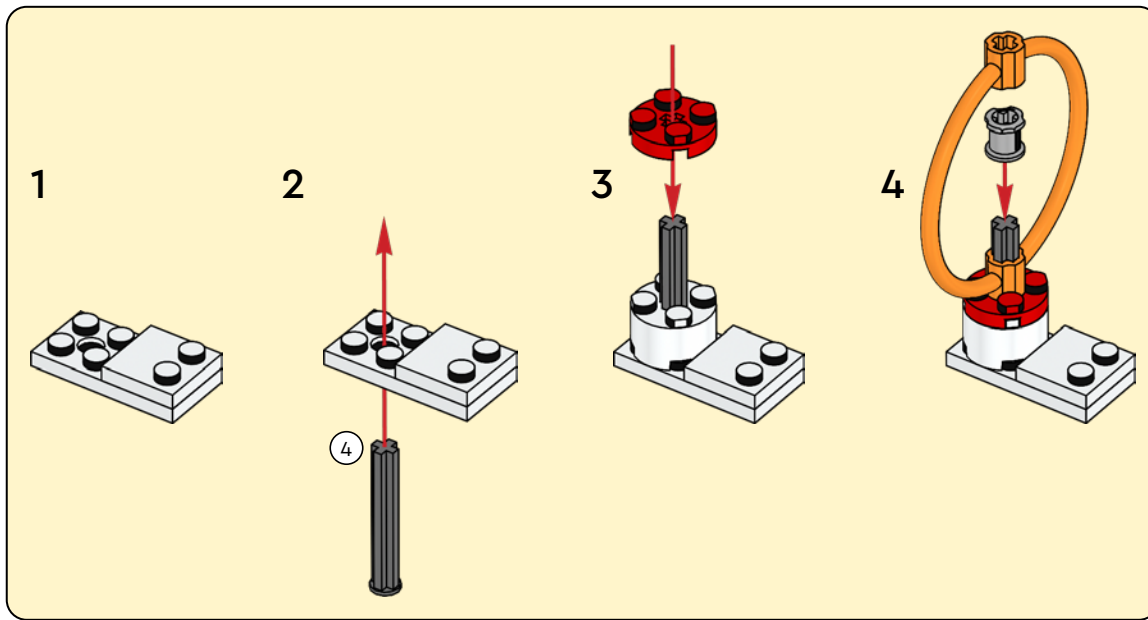
1x Brun foncé

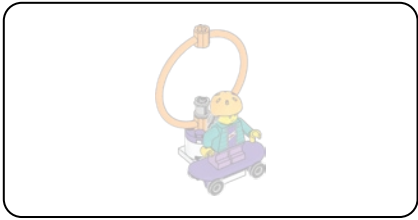
1





2





1x Lilas moyen

2x Noir

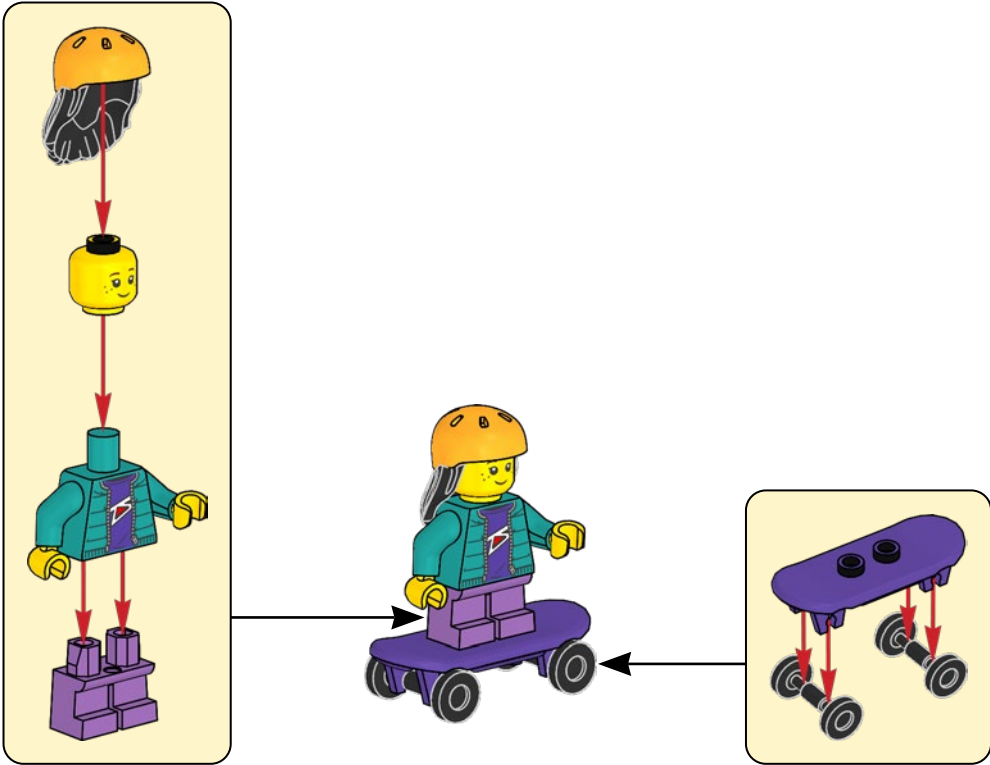
1x Jaune

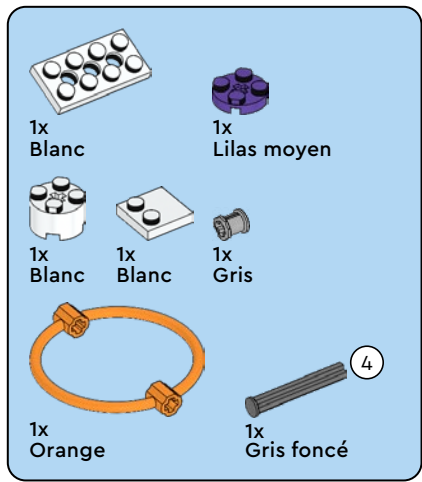
1x Vert vif bleuté

1x Violet moyen

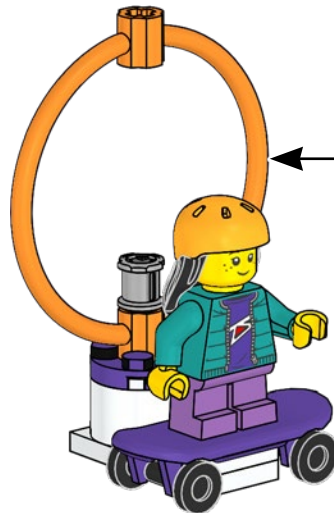
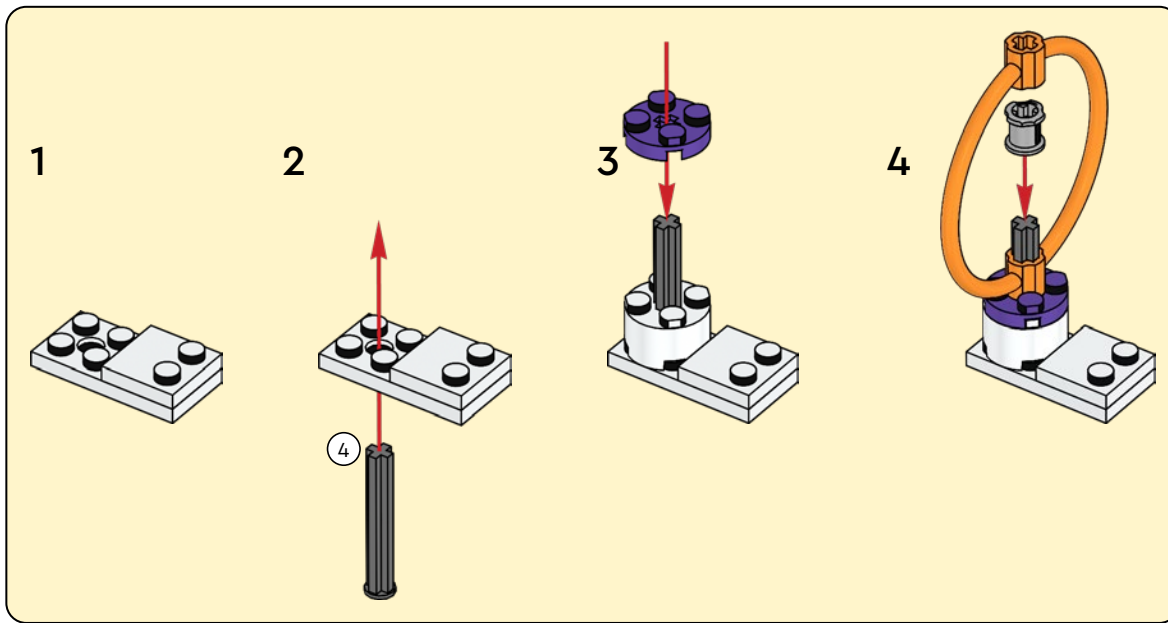
1x Noir

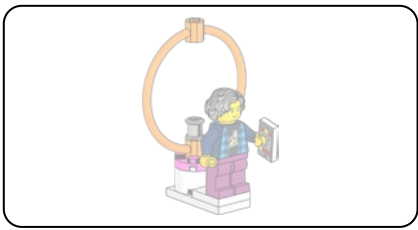
1



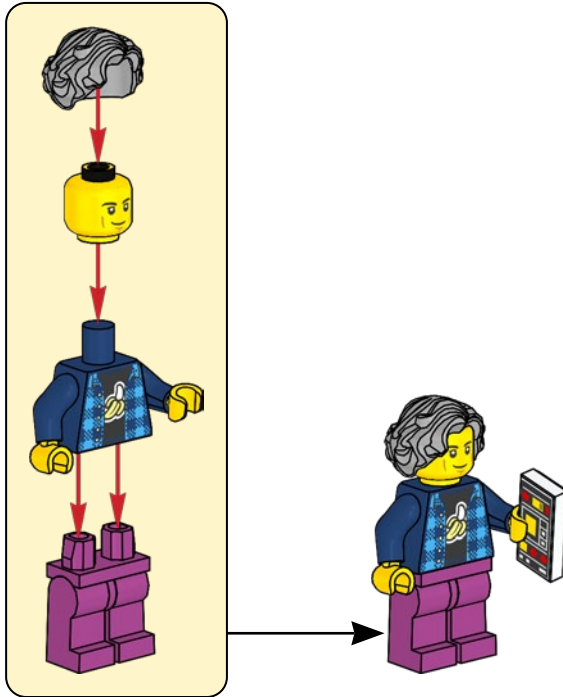


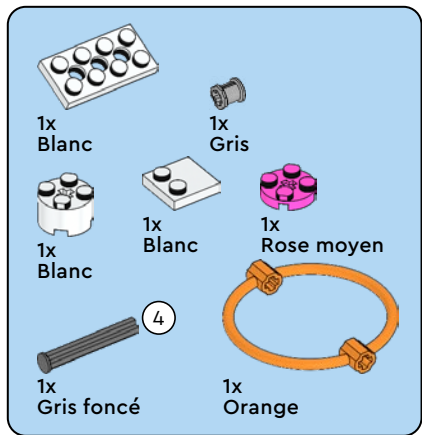
2



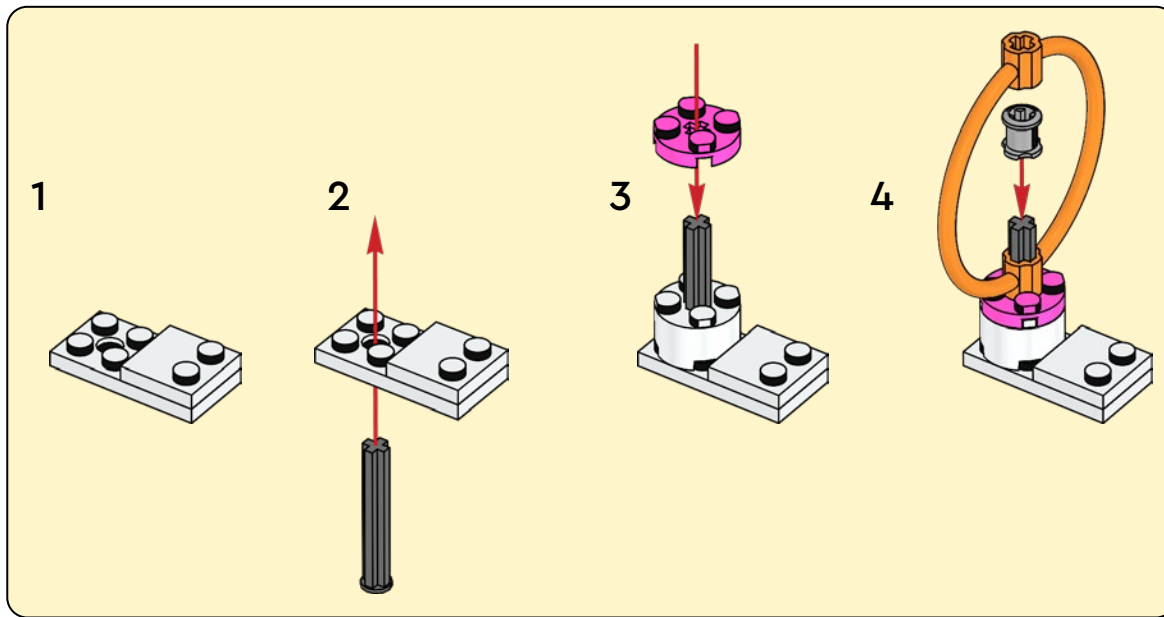


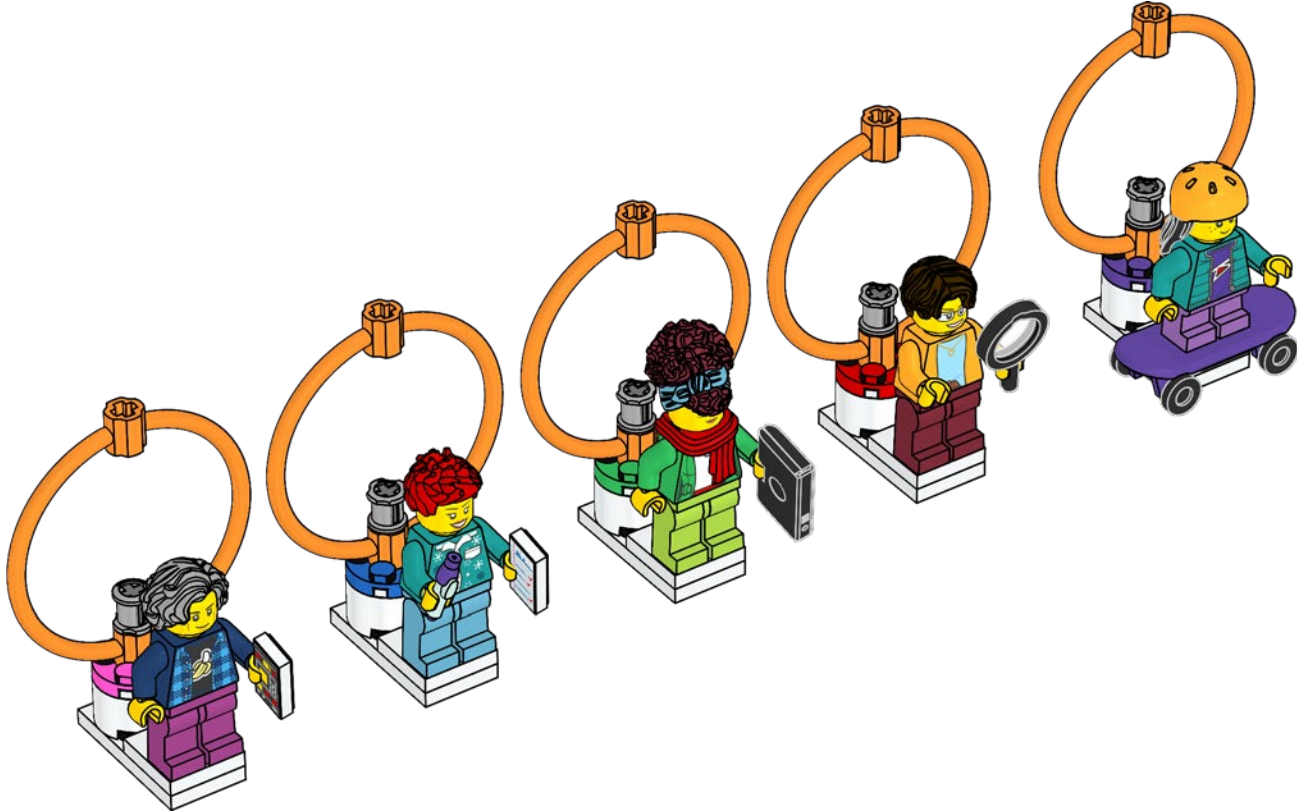
1





2





LEGO and the LEGO logo are trademarks of the/son des marques de commerce du/son marcas registradas de LEGO Group.
©2023 The LEGO Group.

FIRST™ is a registered trademark of For Inspiration and Recognition of Science and Technology (FIRST). LEGO® is a registered trademark of the LEGO Group. FIRST™ LEGO® League and MASTERPIECE™ are jointly held trademarks of FIRST and the LEGO Group.
©2023 FIRST and the LEGO Group. All rights reserved.