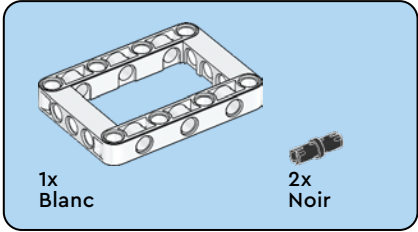
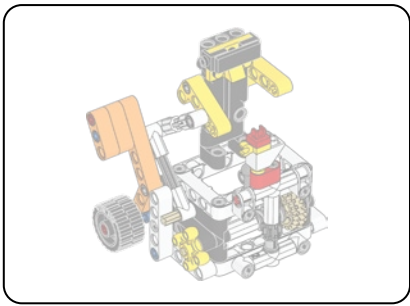
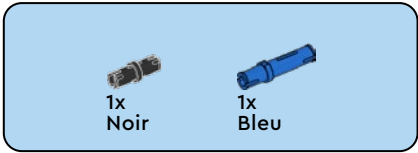
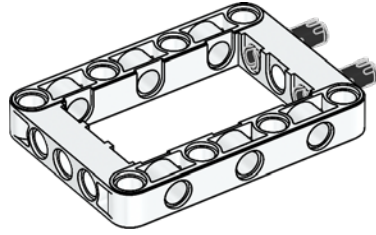


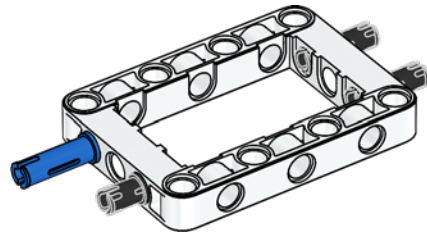
45823



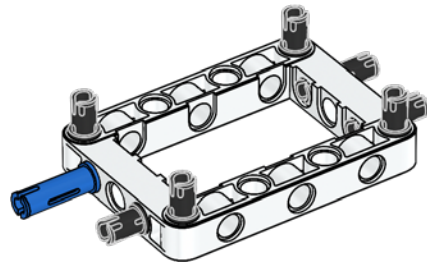
1



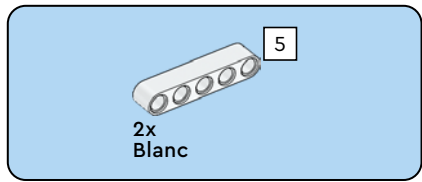
2



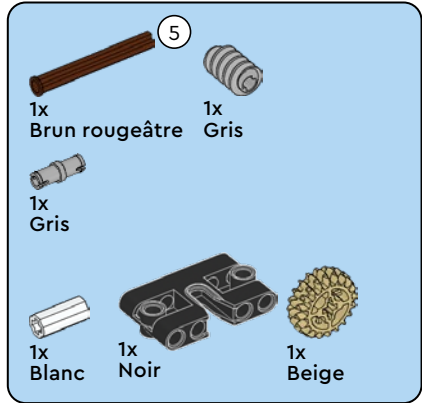
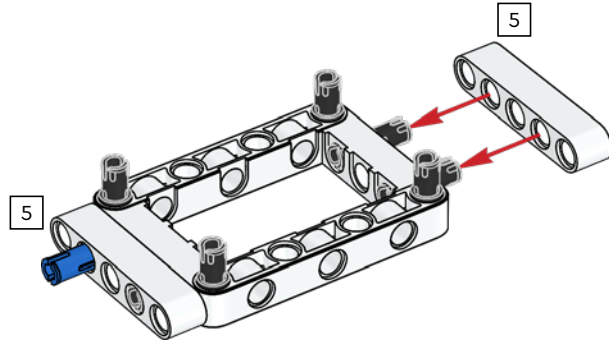
3



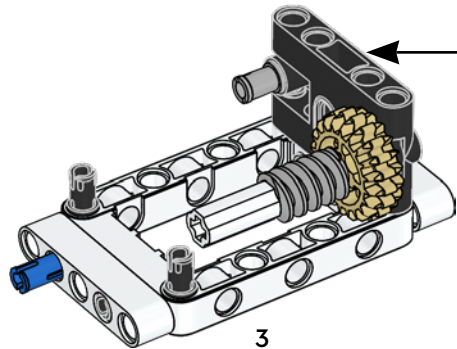
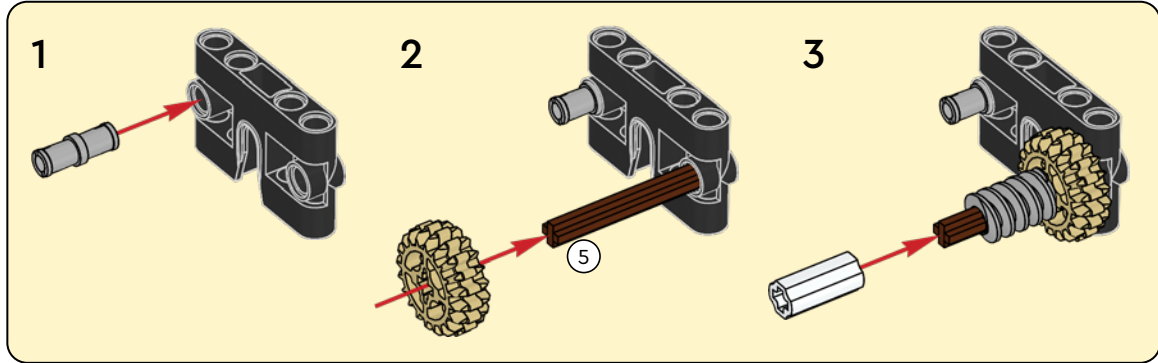
2



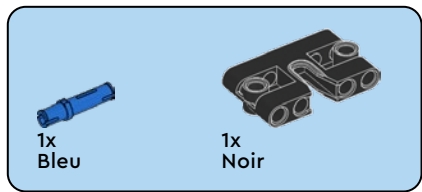
4



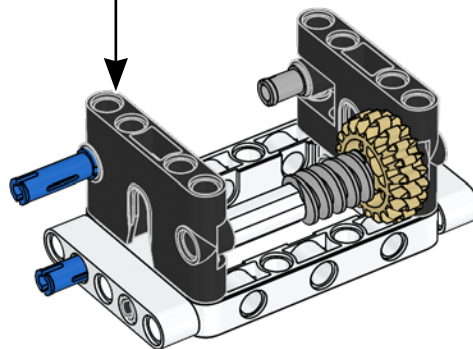
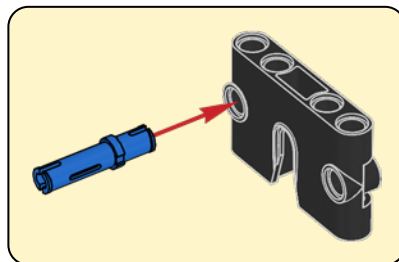
5



3

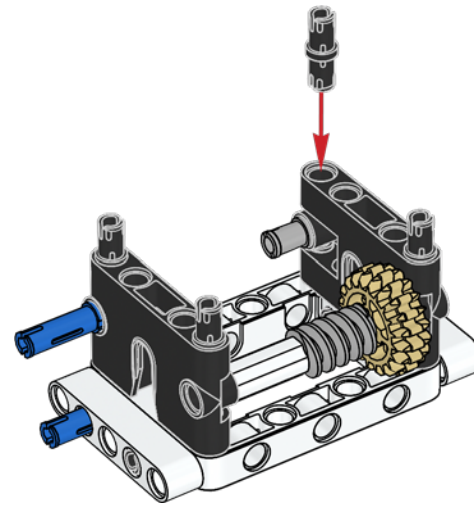


6



4x
Noir

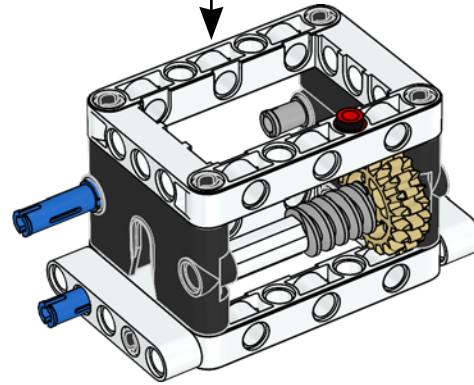
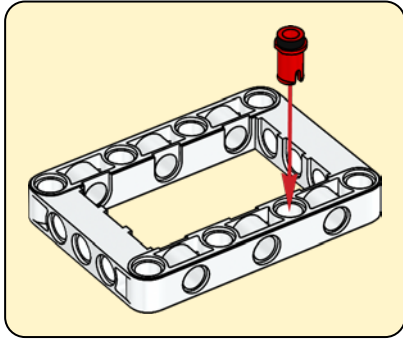
7

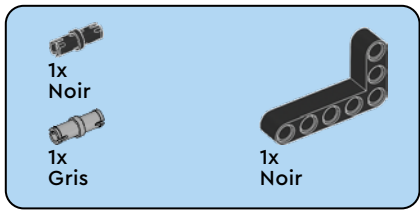


1x
Blanc

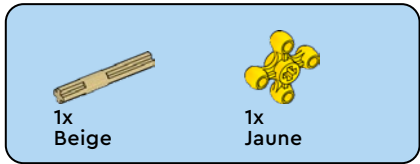
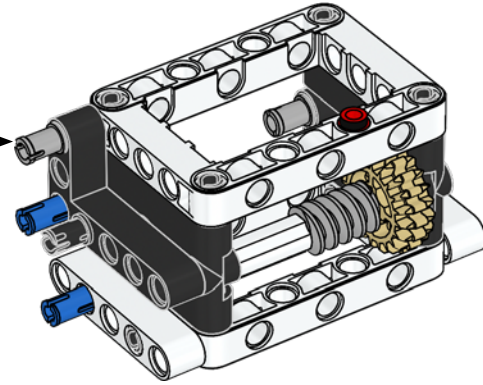
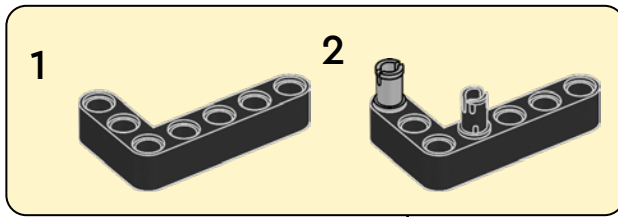
1x
Rouge

8

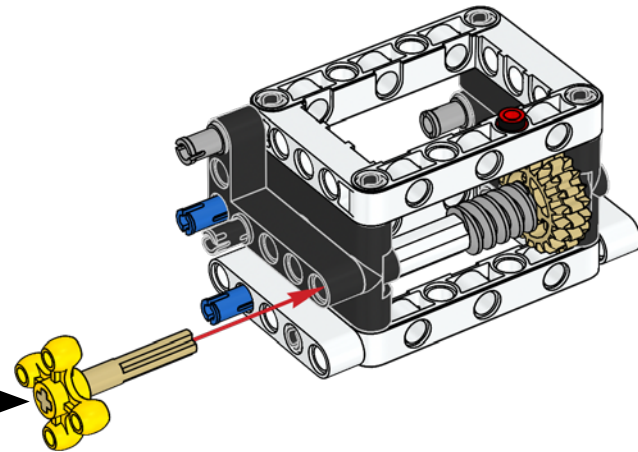
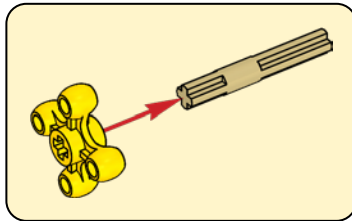


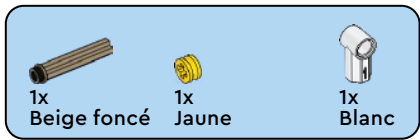


9

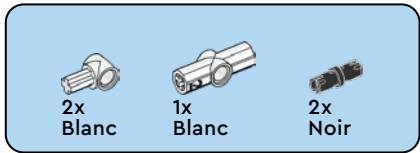
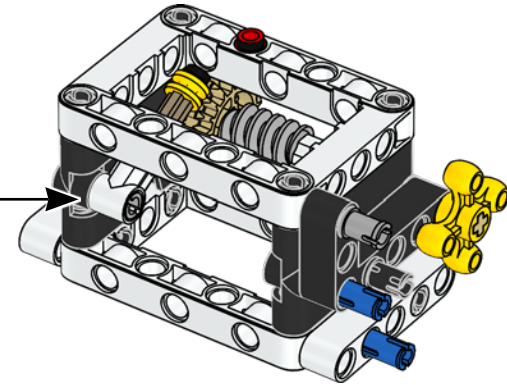
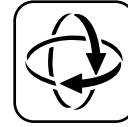
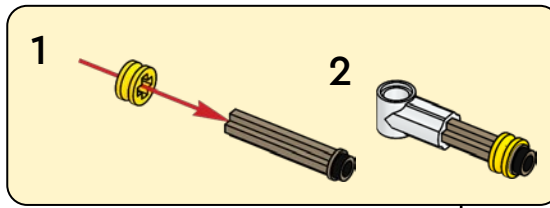


10

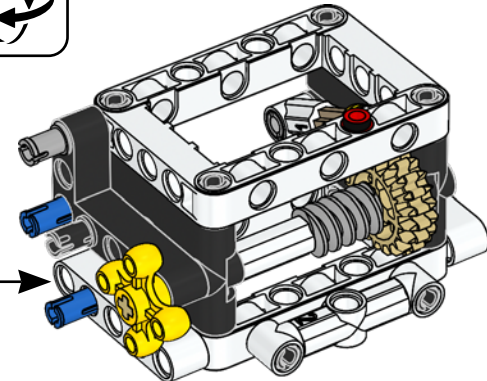
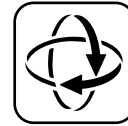
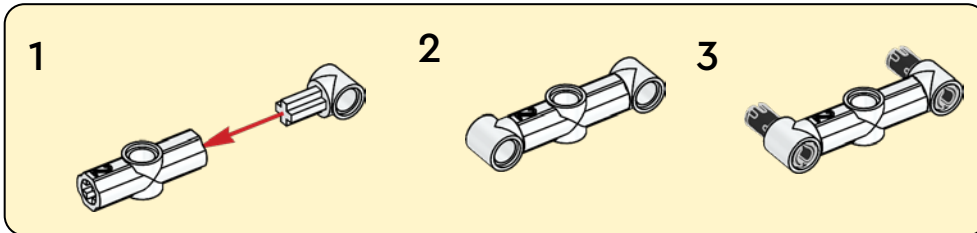


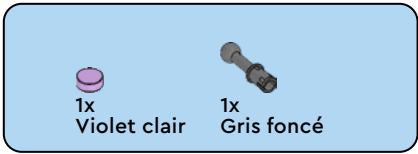


11

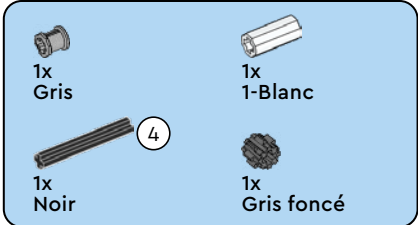
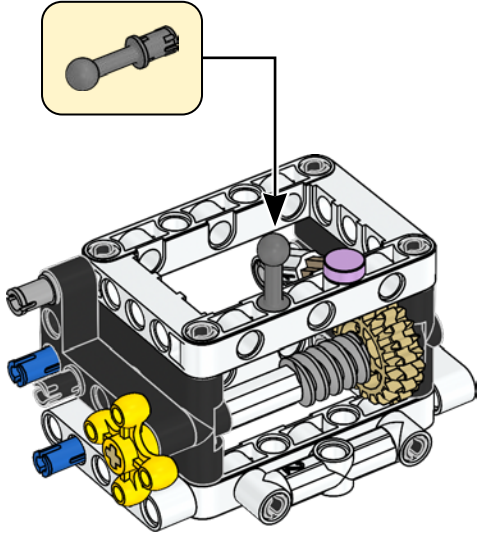


12

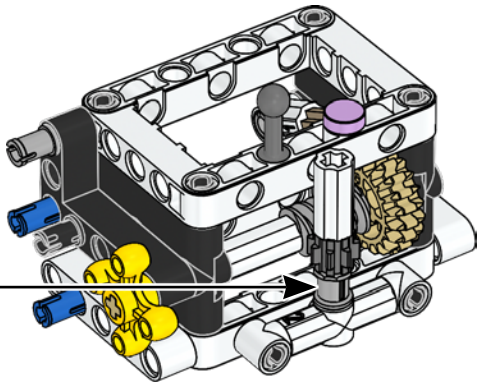
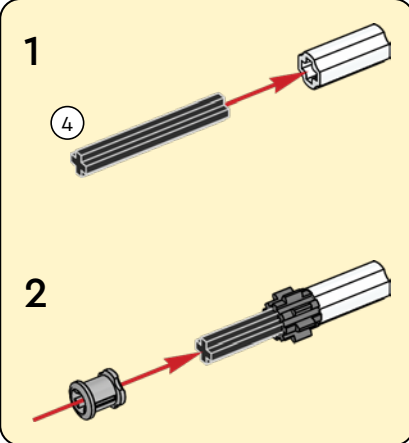


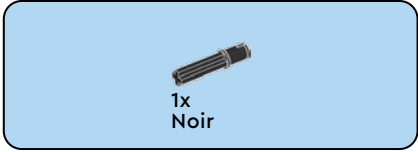
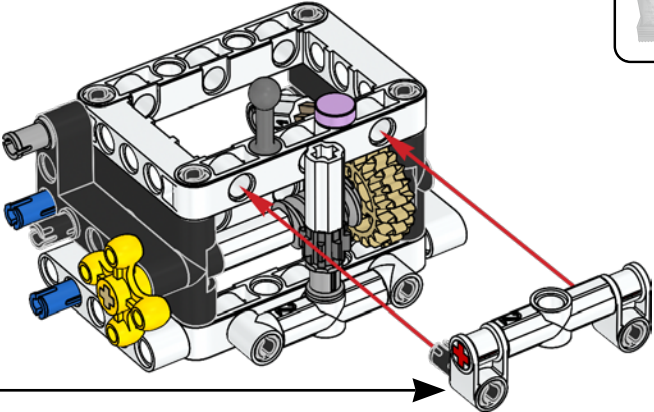
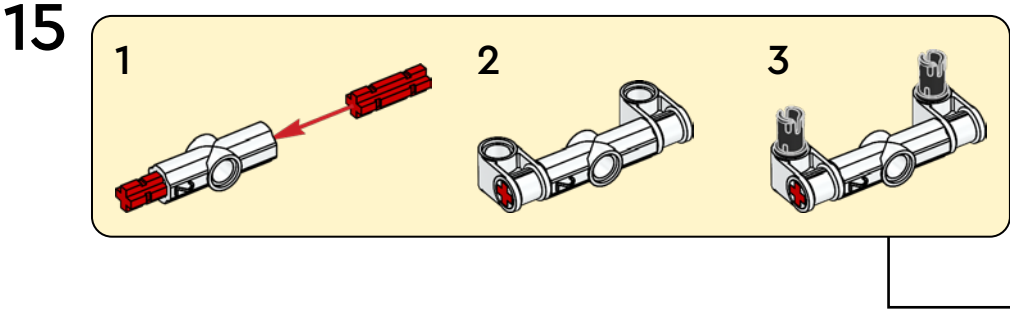
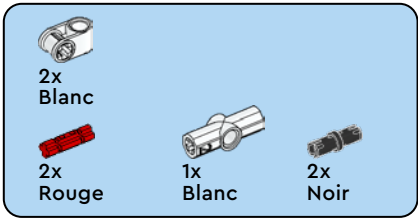


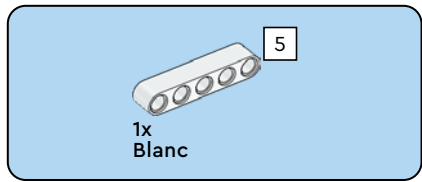
13



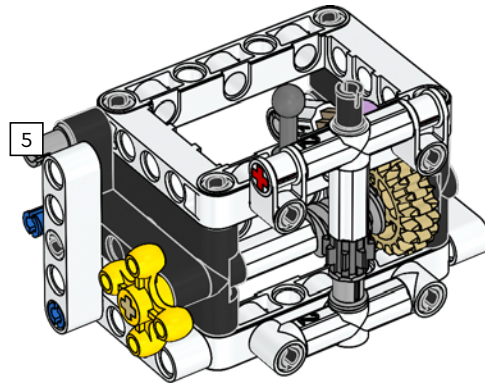
14

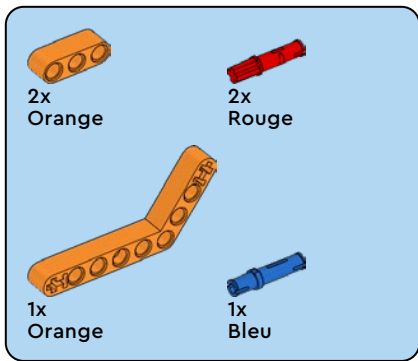




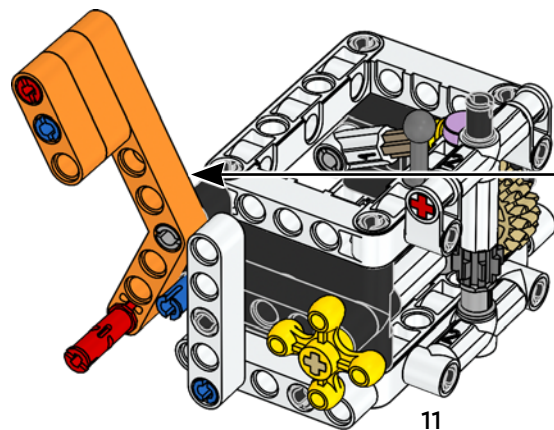
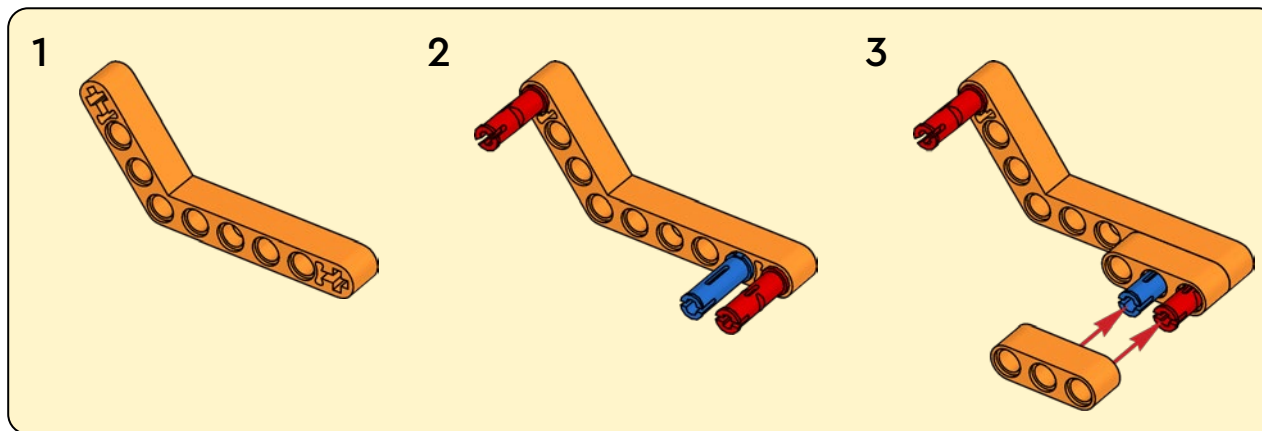


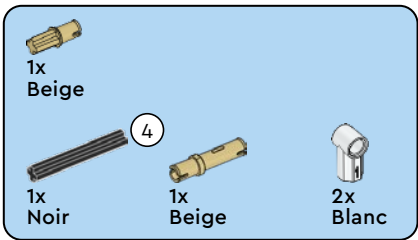
17



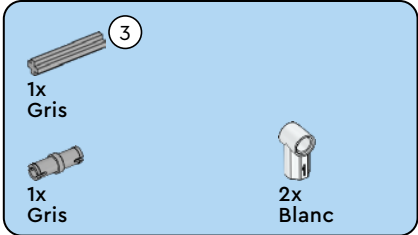
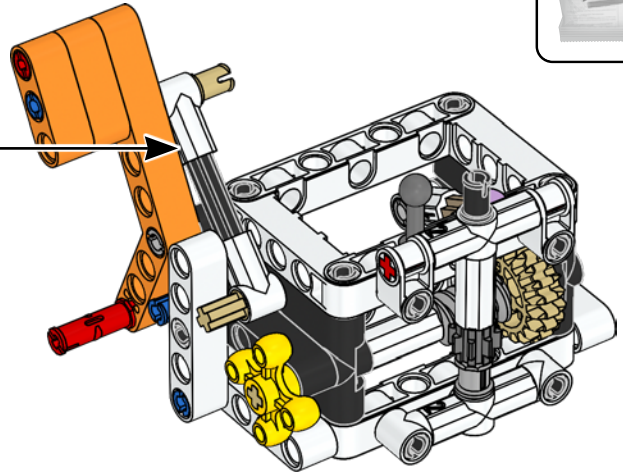
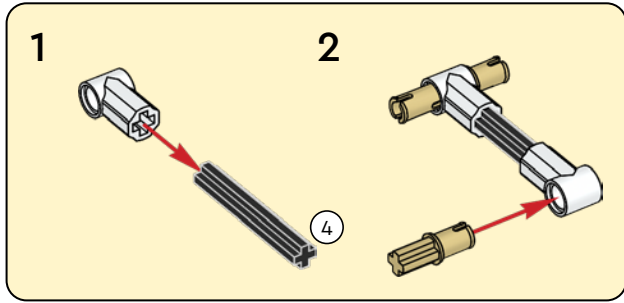


18

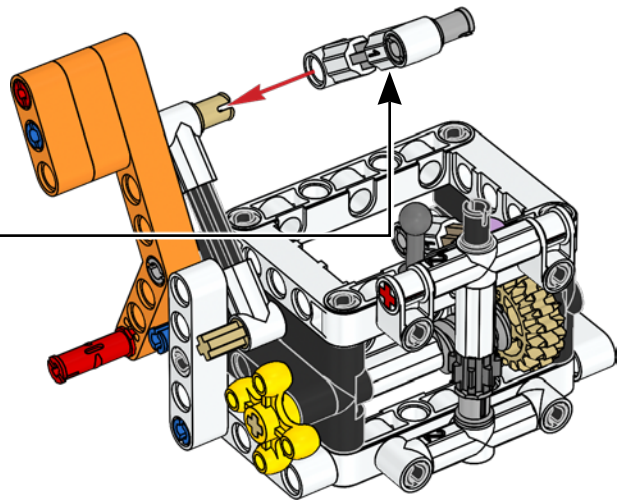
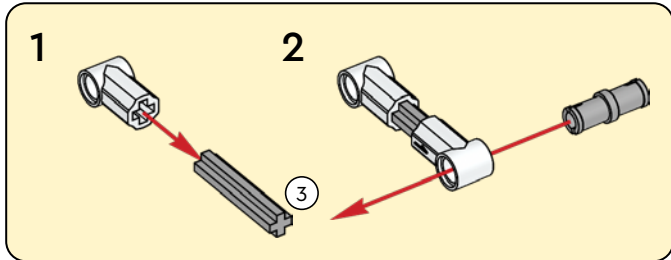


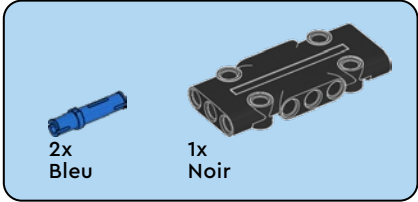
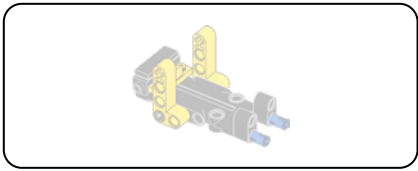


19

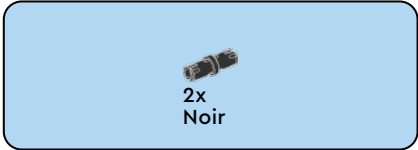
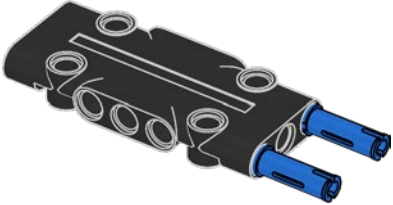


20

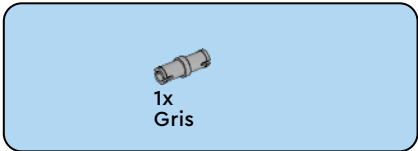
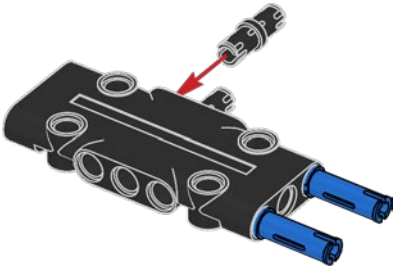




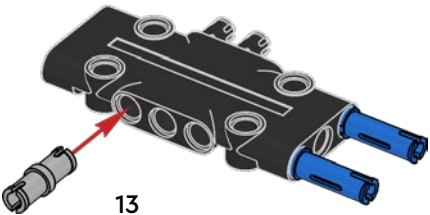
21



22



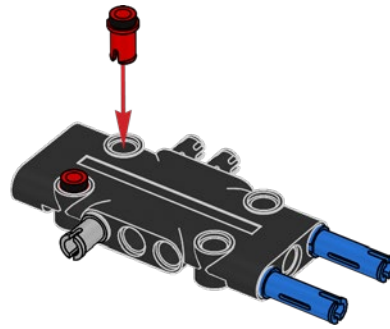
23



13

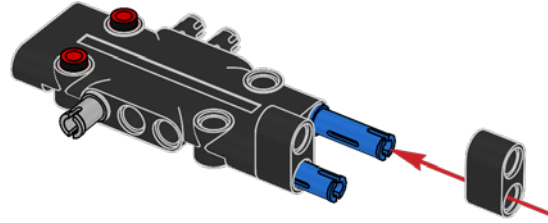
2x
Rouge

24



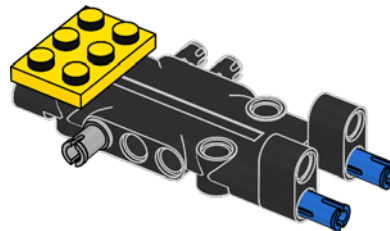
2x
Noir

25



1x
Jaune

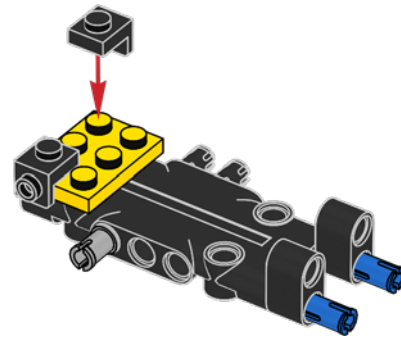
26





2x
Noir

27

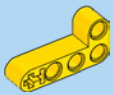
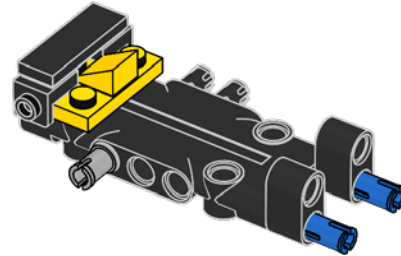


1x
Jaune



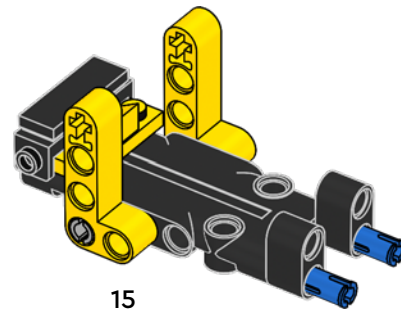
1x
Noir

28



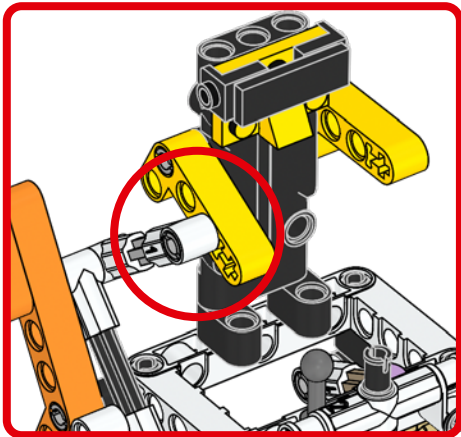
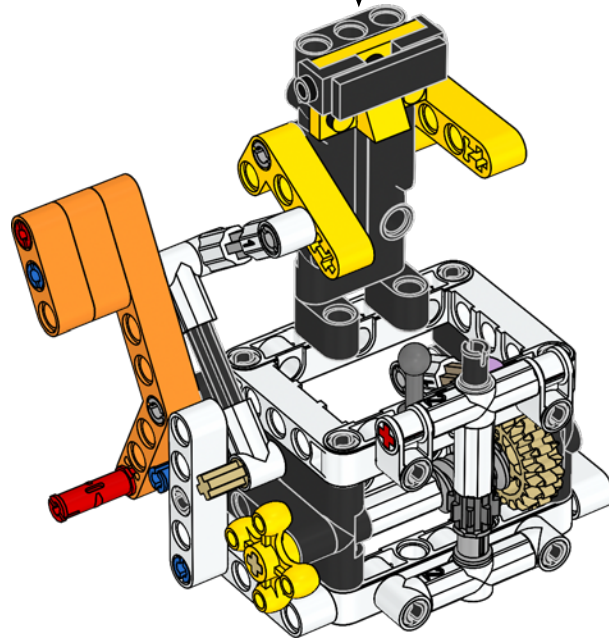
2x
Jaune







29



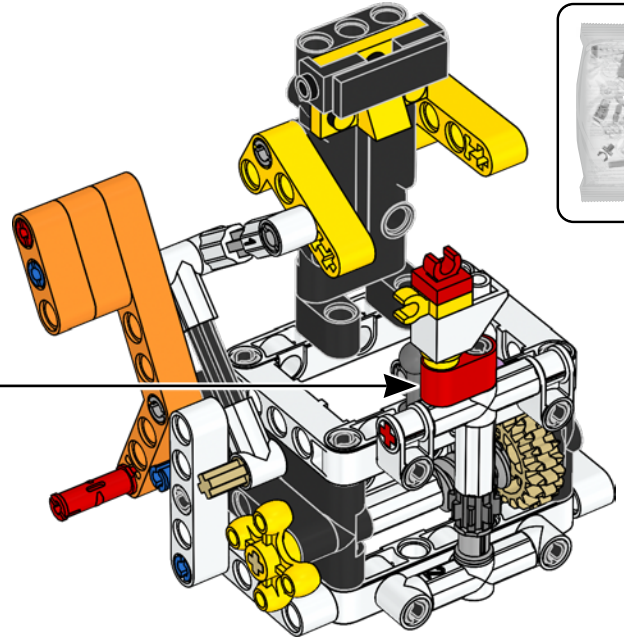
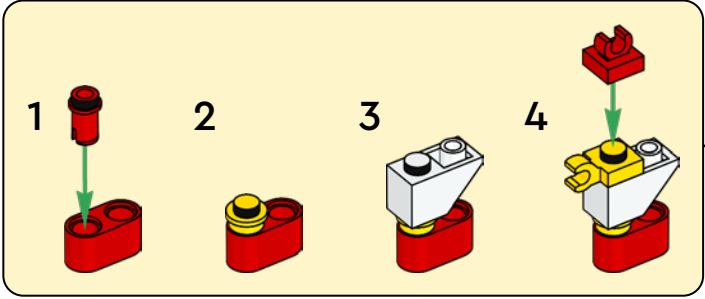



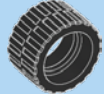
30



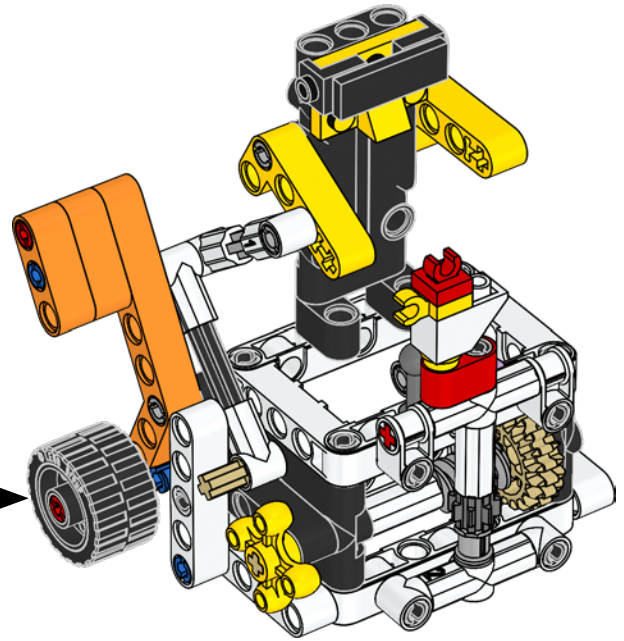
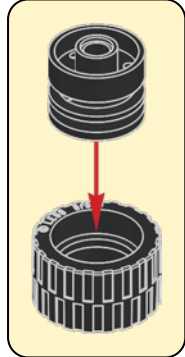
 1x Jaune	 1x Jaune
 1x Blanc	 1x Rouge
 1x Rouge	 1x Rouge

31



 1x Noir	 1x Noir
---	---

32



LEGO and the LEGO logo are trademarks of the/son des marques de commerce du/son marcas registradas de LEGO Group.
 ©2023 The LEGO Group.
 FIRST™ is a registered trademark of For Inspiration and Recognition of Science and Technology (FIRST). LEGO® is a registered trademark of the LEGO Group. FIRST™, LEGO® League and MASTERPIECE™ are jointly held trademarks of FIRST and the LEGO Group.
 ©2023 FIRST and the LEGO Group. All rights reserved.