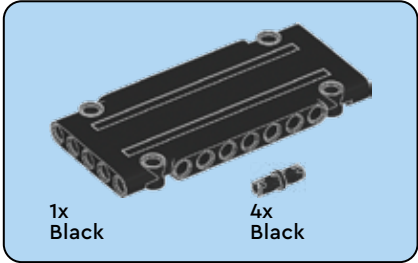
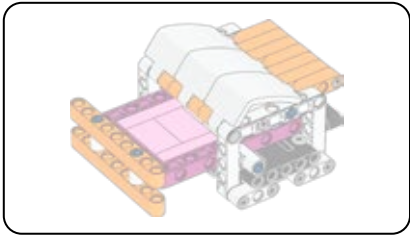
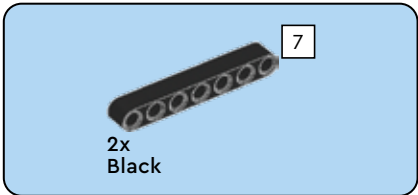
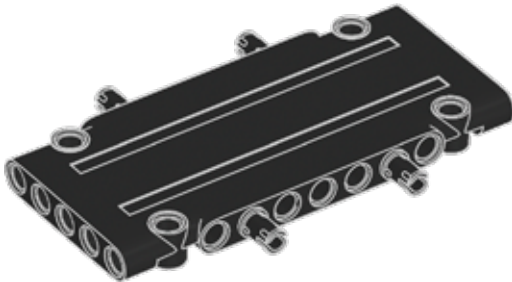


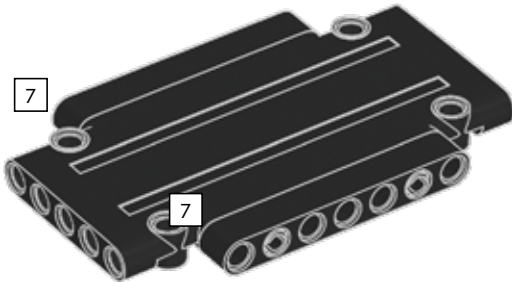
45823



1



2

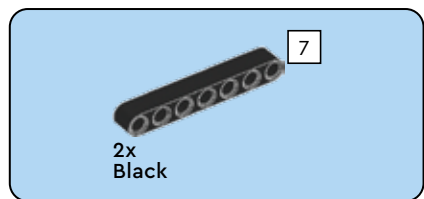
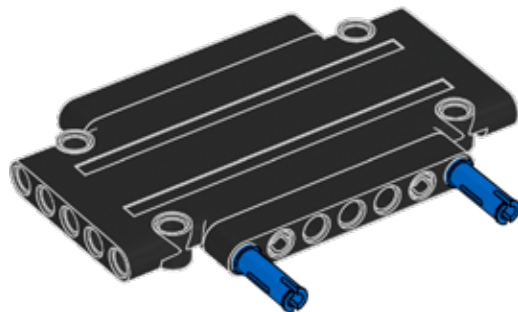


2



2x
Blue

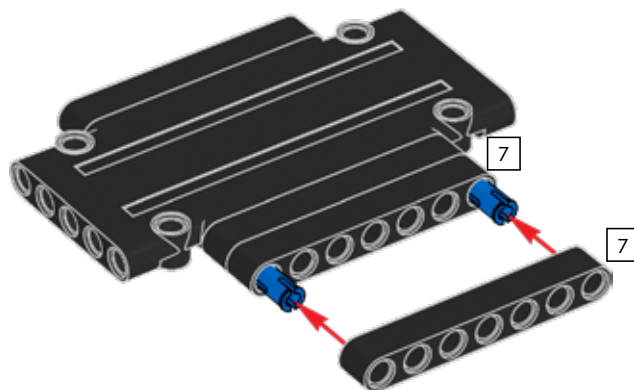
3



7

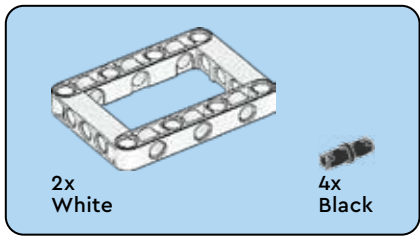
2x
Black

4

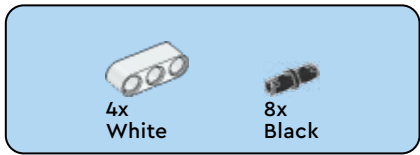
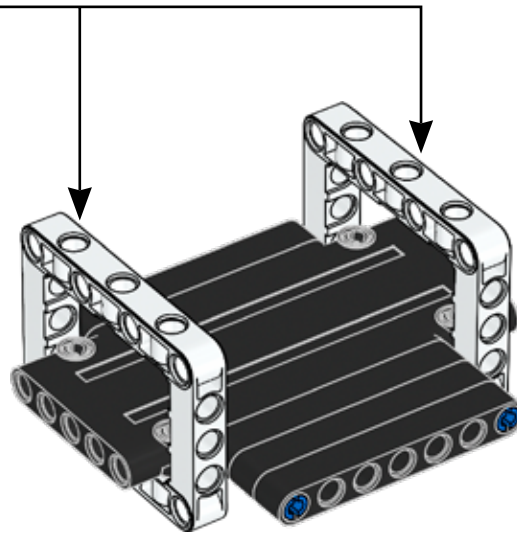
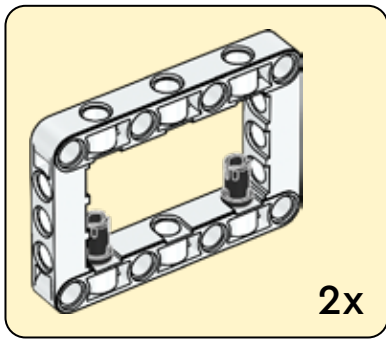


7

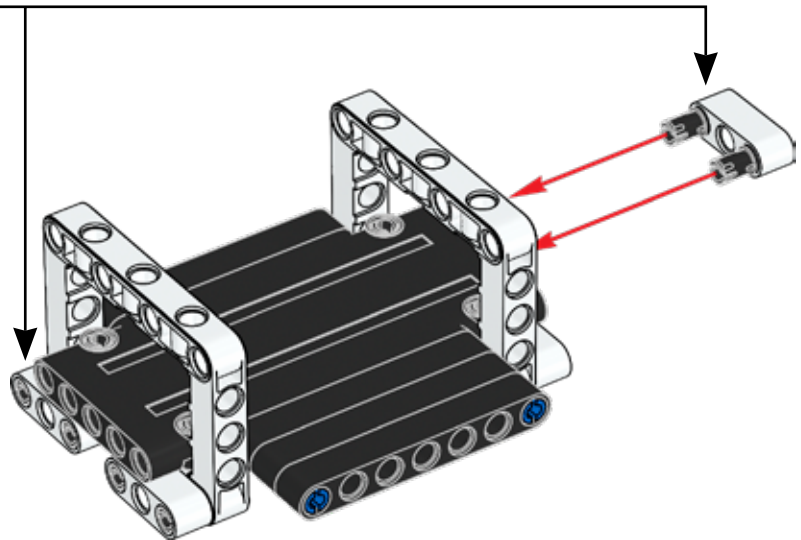
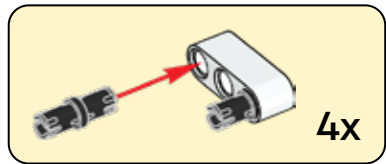
7

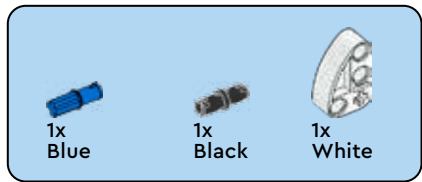


5

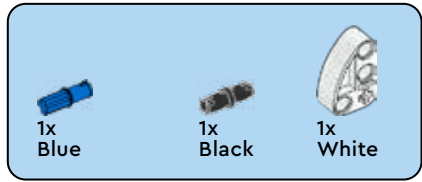
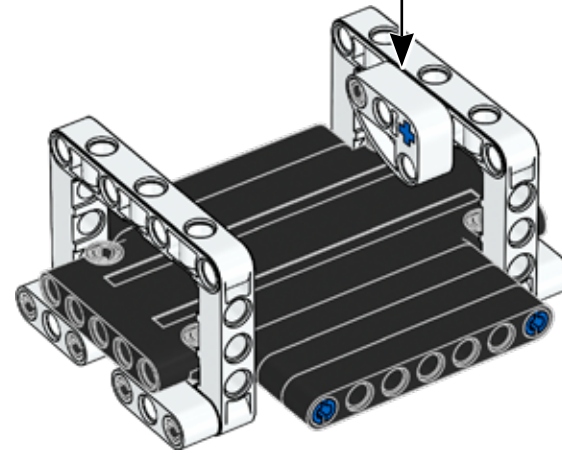
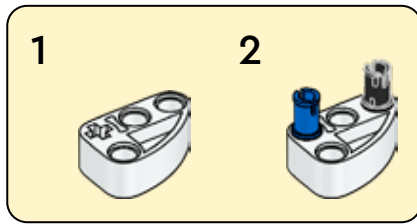


6

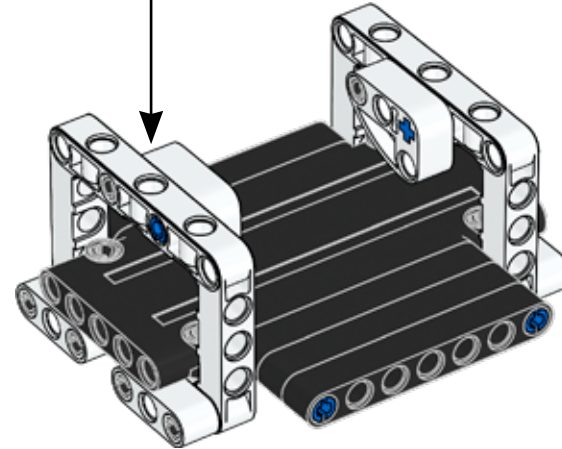
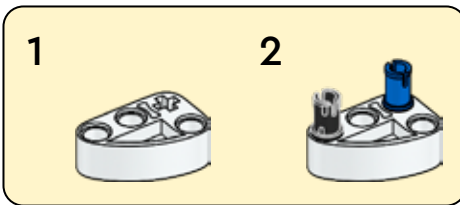


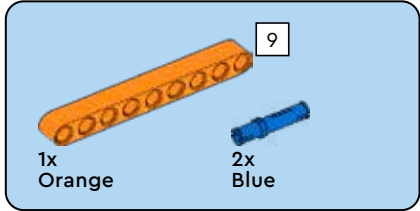
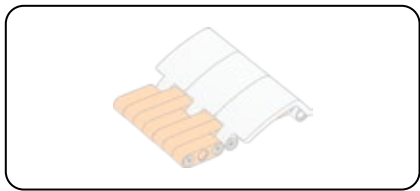


7

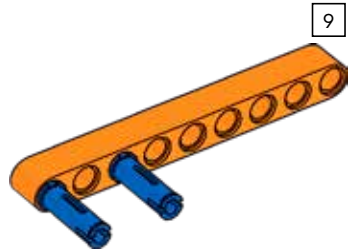


8

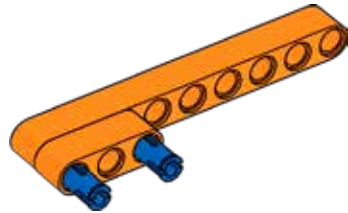




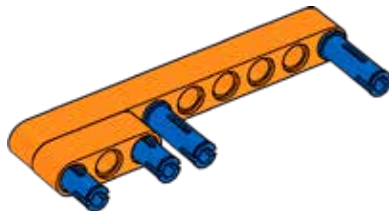
9



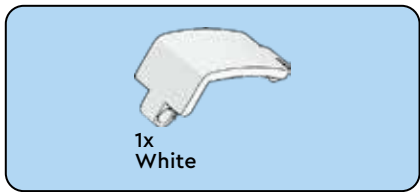
10



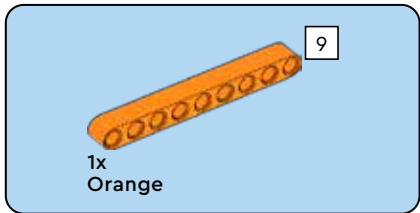
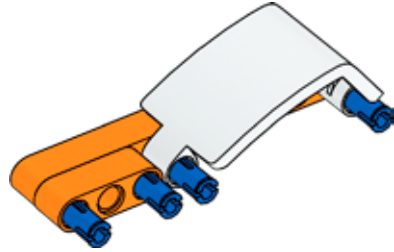
11



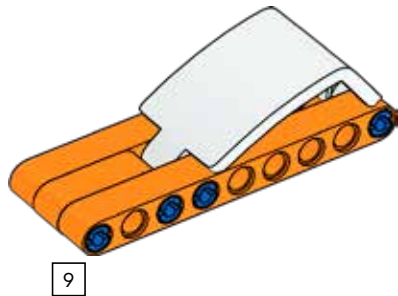
6



12

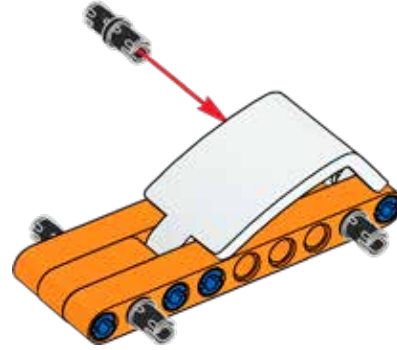


13



4x
Black

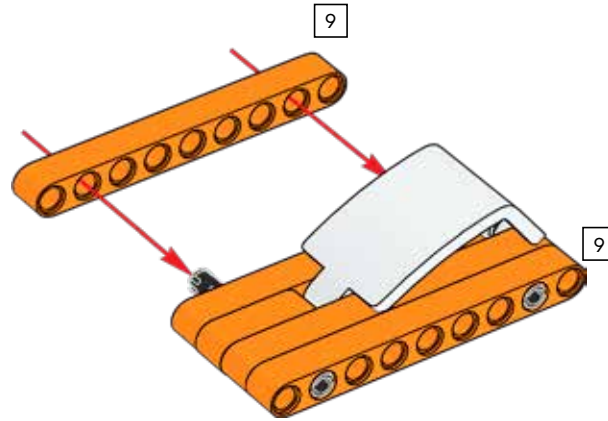
14



2x
Orange

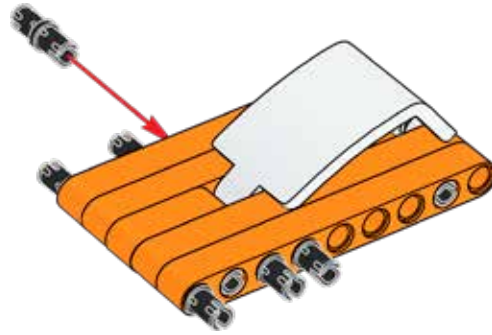
9

15



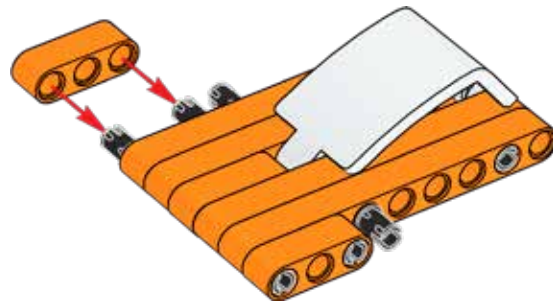
6x
Black

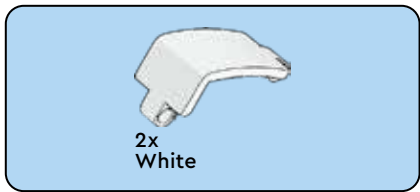
16



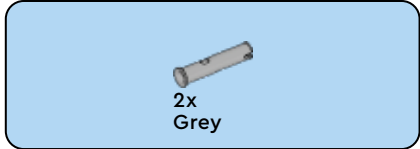
2x
Orange

17

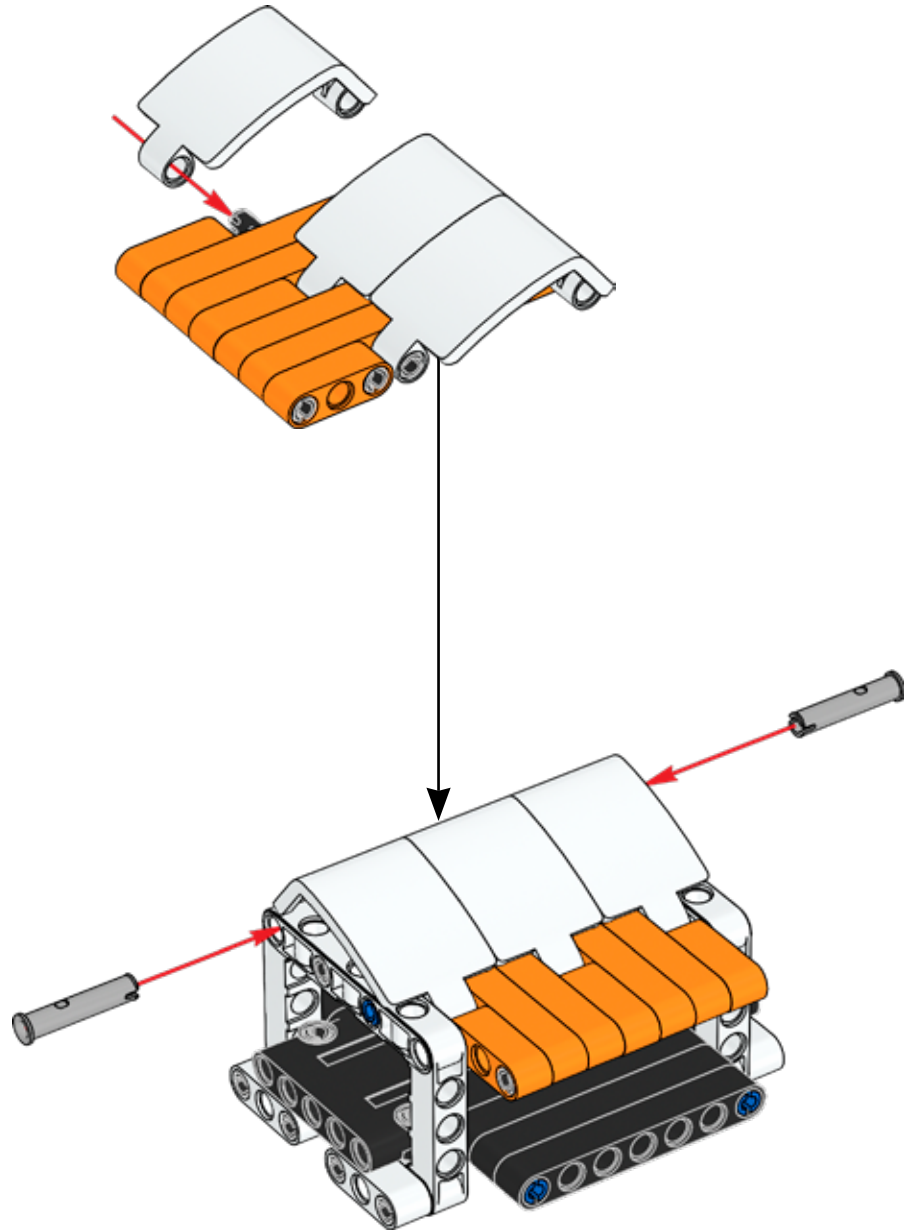


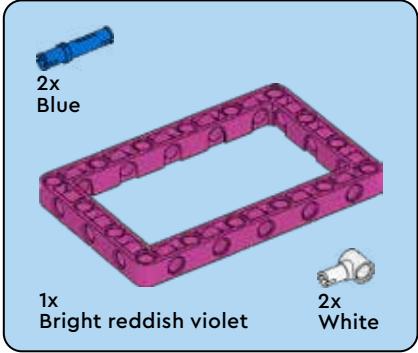
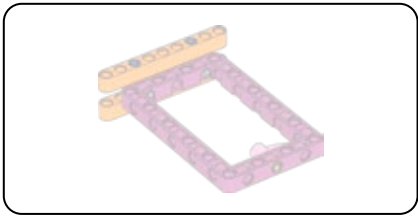


18

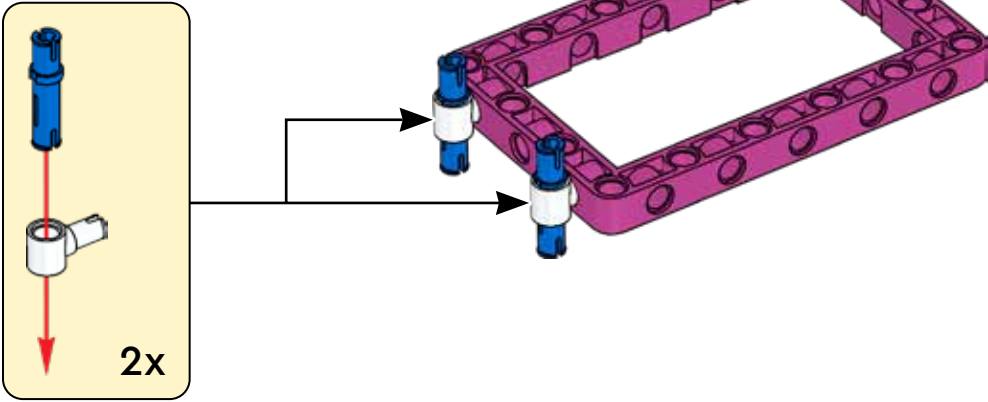


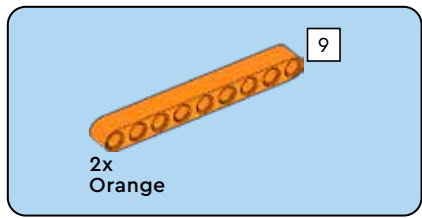
19



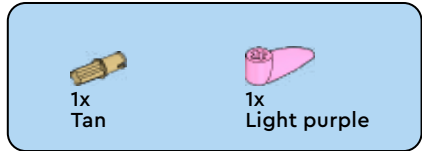
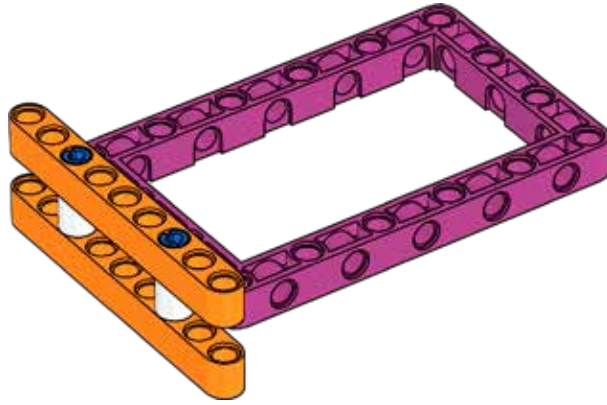


20

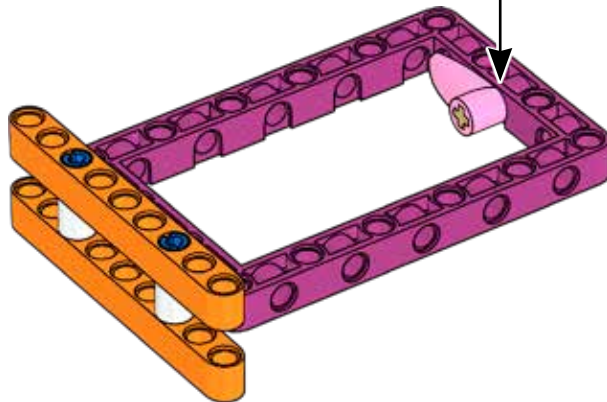
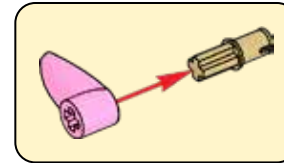




21

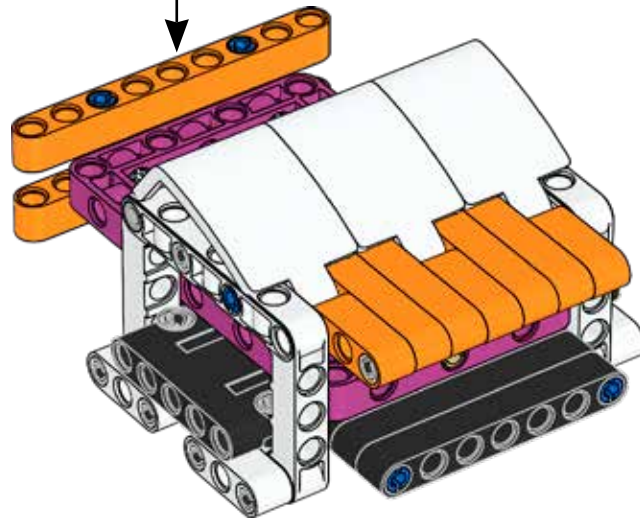


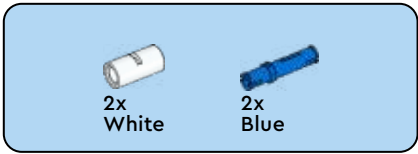
22



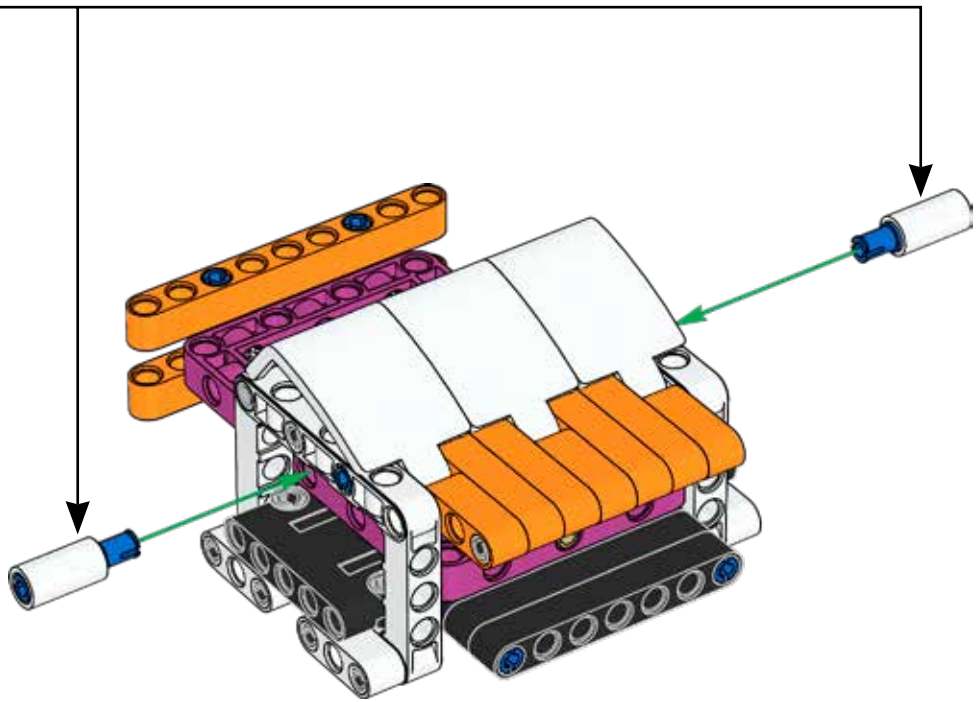
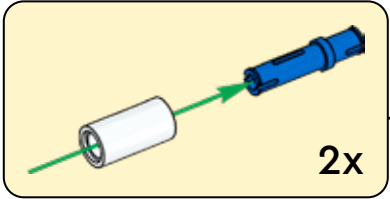


23





24





2x White
1x White
1x Light purple
1x Light purple
1x Light purple
1x Light purple
4x White

25

1

2

3

4

5

6

