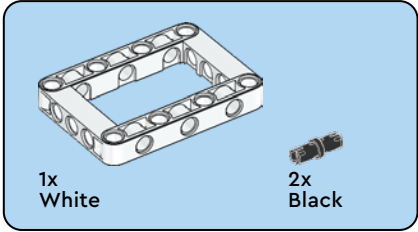
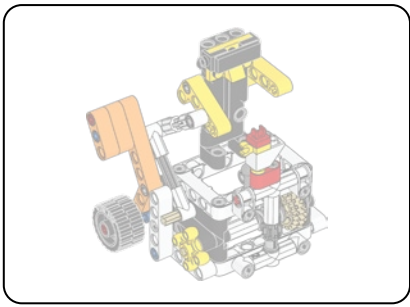
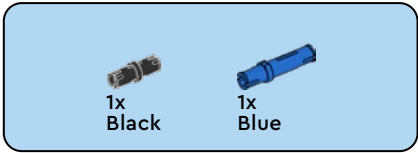
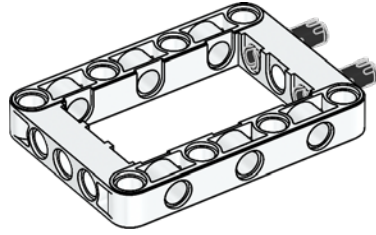


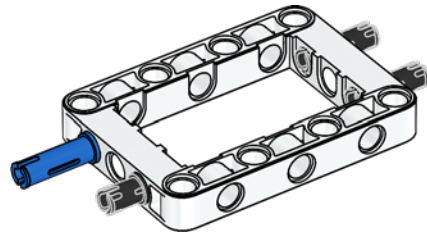
45823



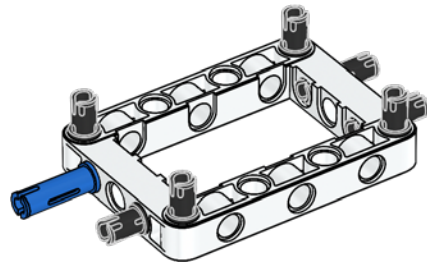
1



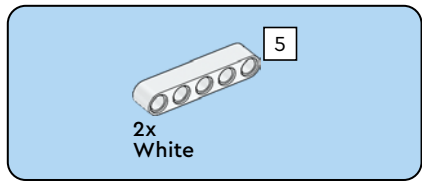
2



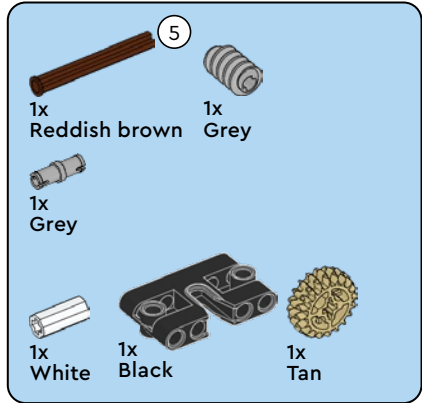
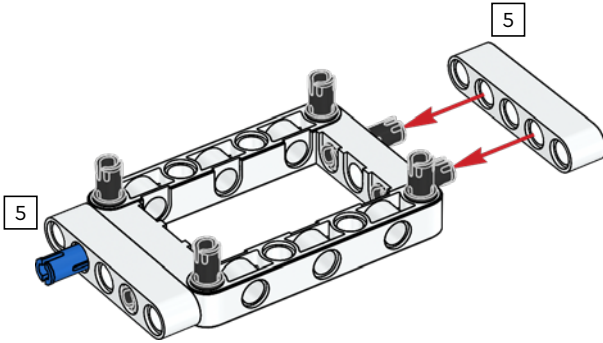
3



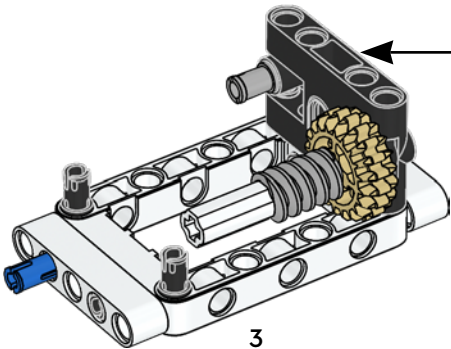
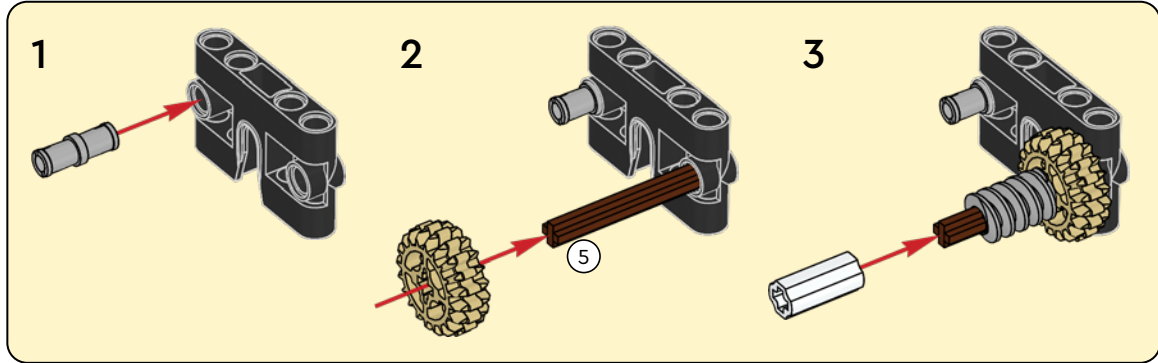
2

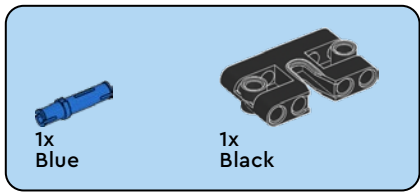


4

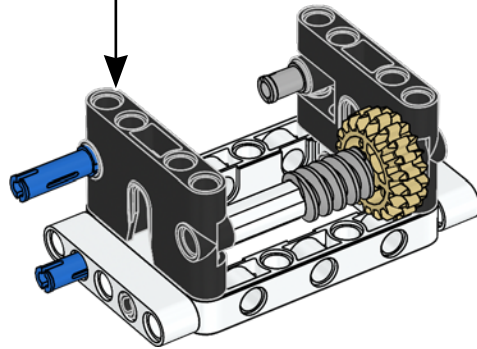
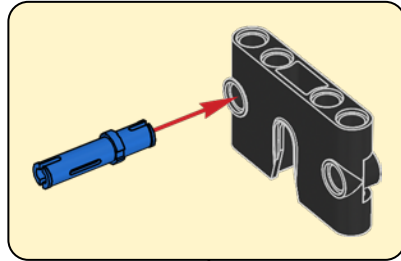


5



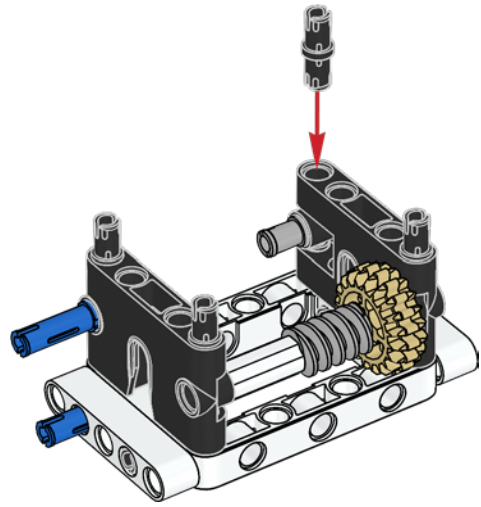


6



4x
Black

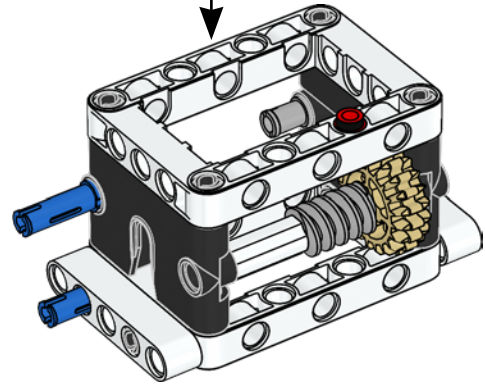
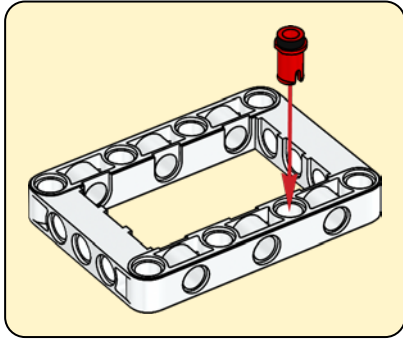
7

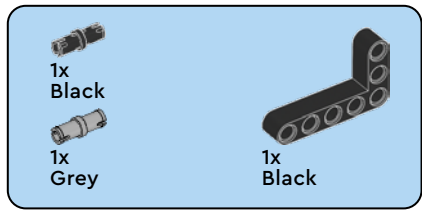


1x
White

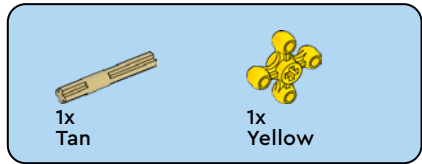
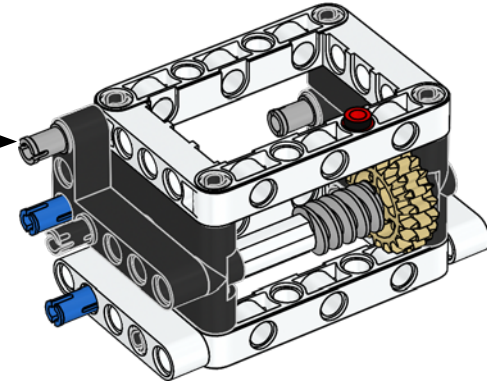
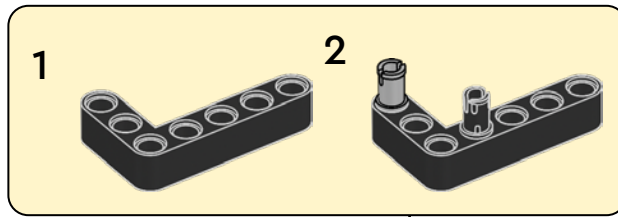
1x
Red

8

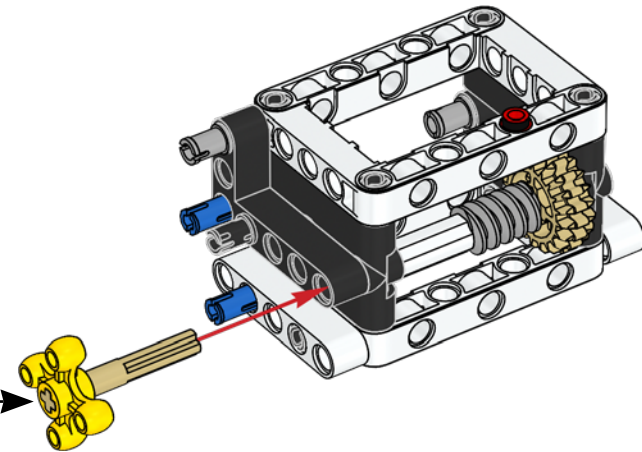
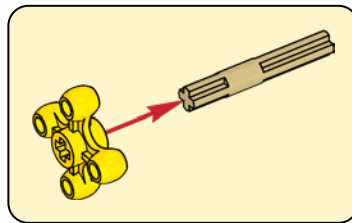




9

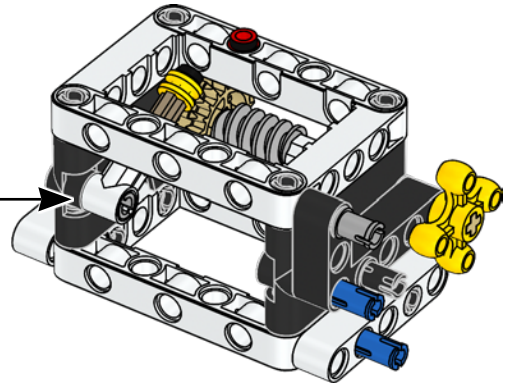
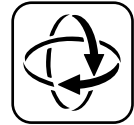
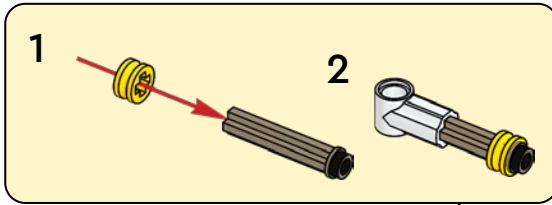


10

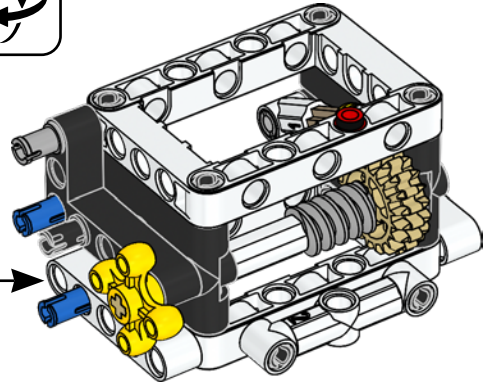
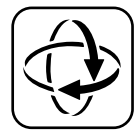
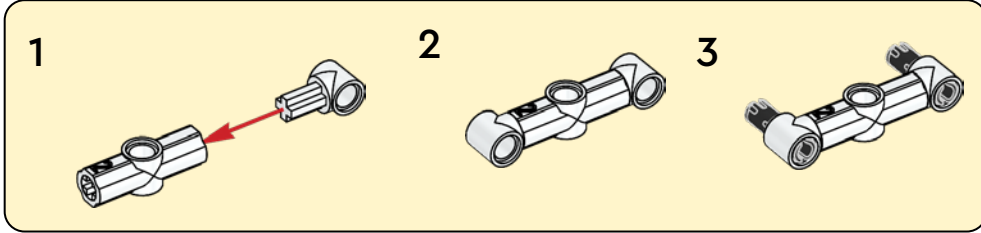


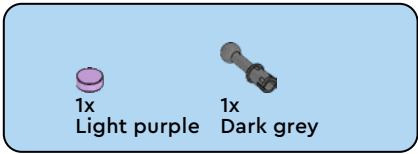


11

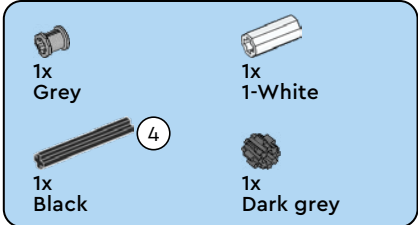
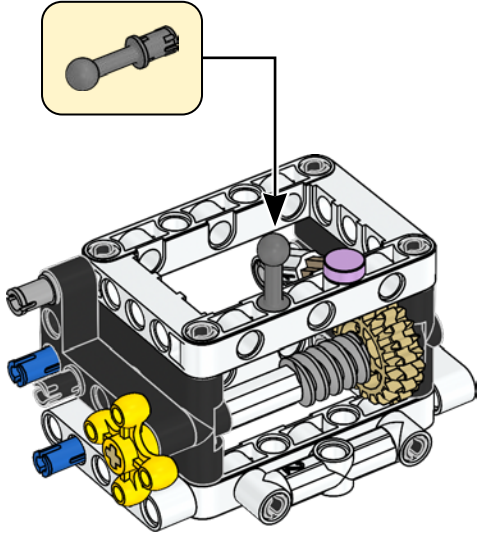


12

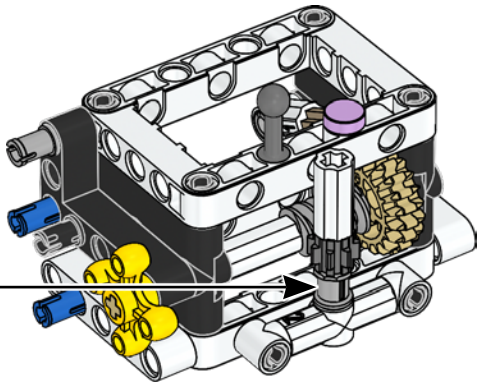
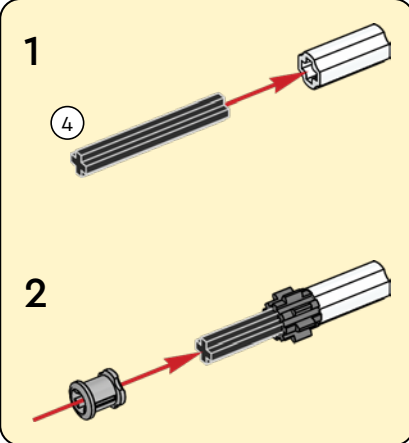


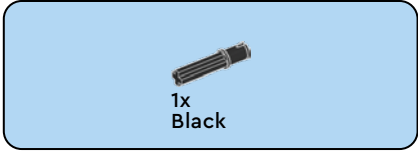
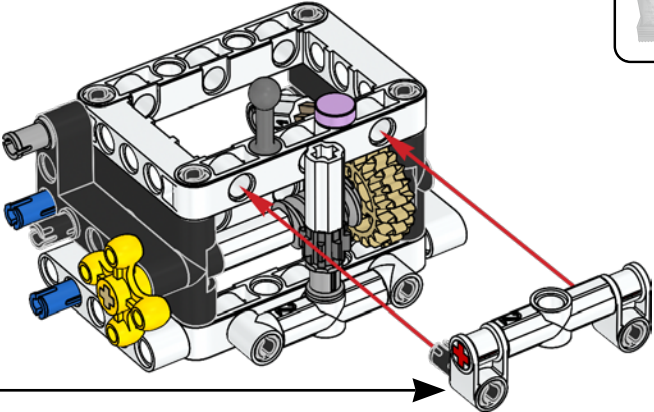
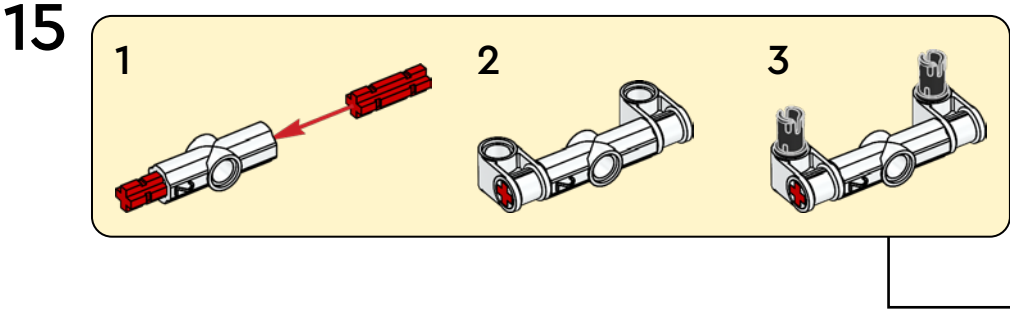
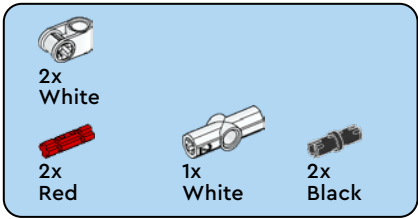


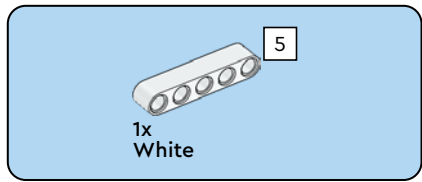
13



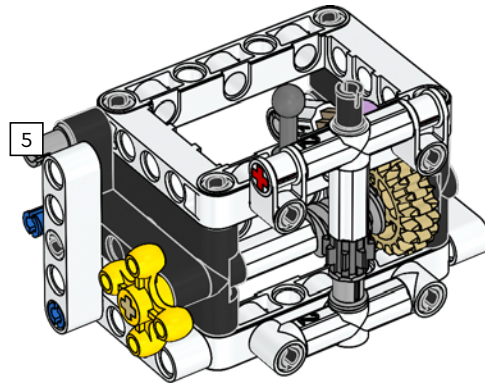
14

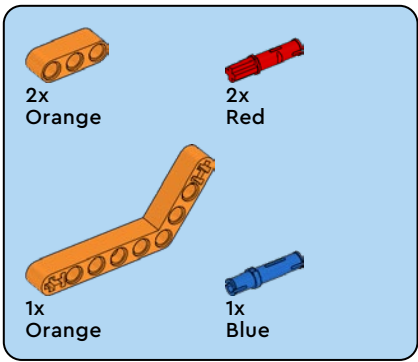




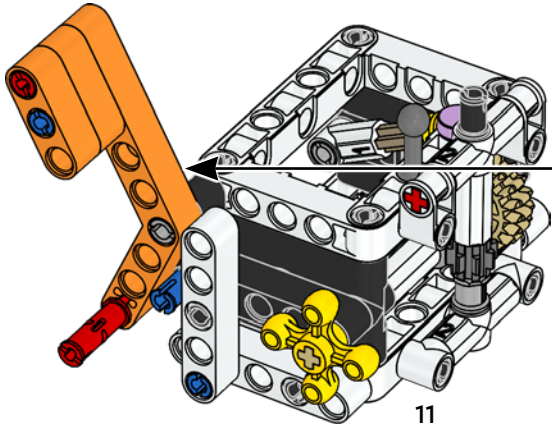
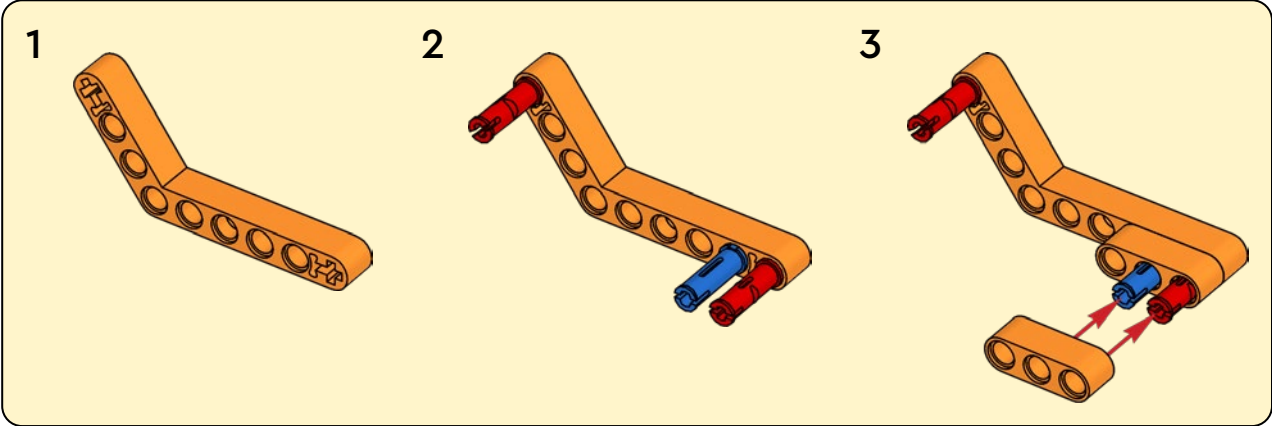


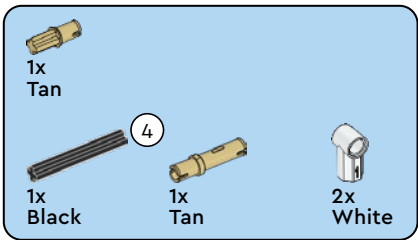
17



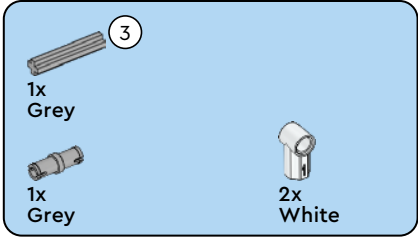
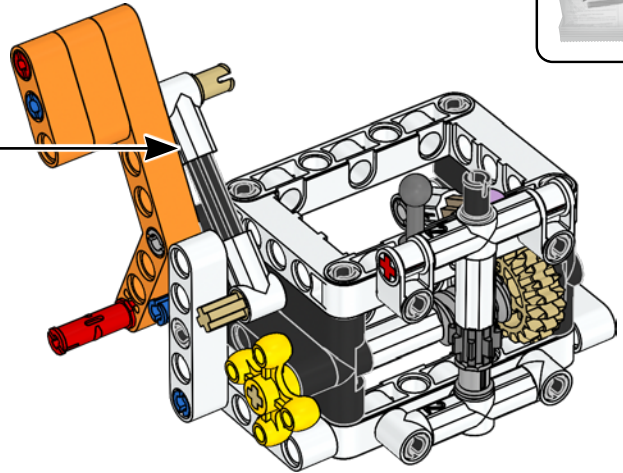
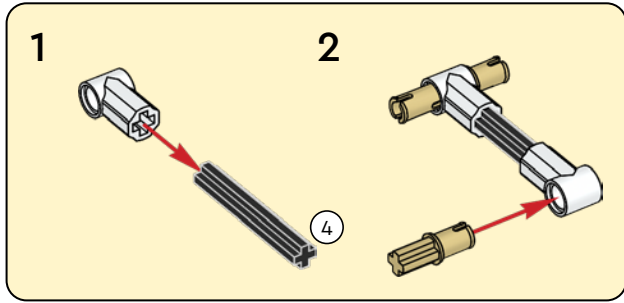


18

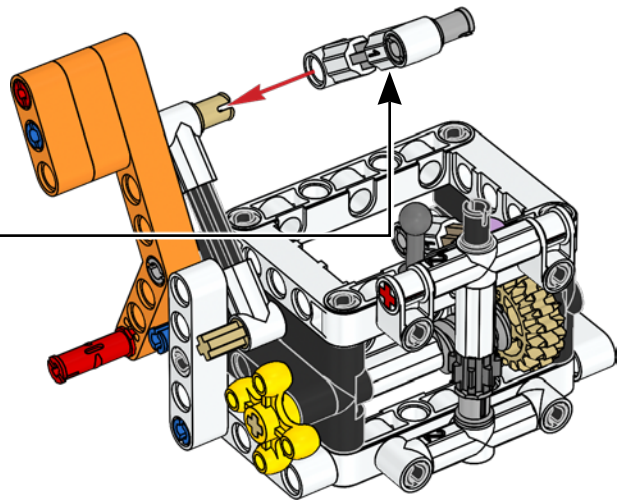
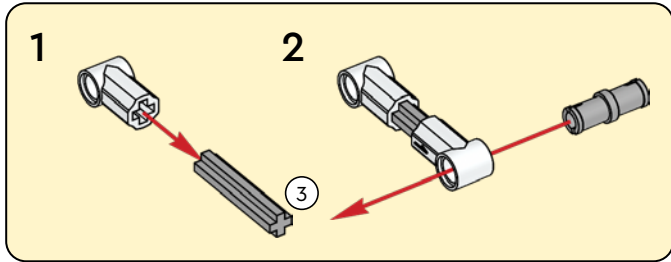


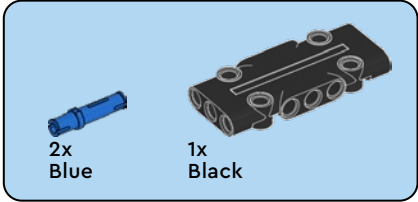
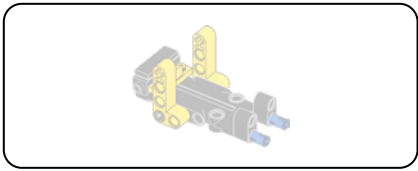


19

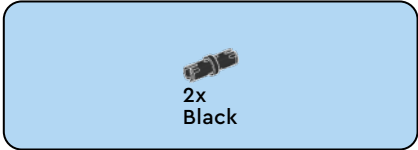
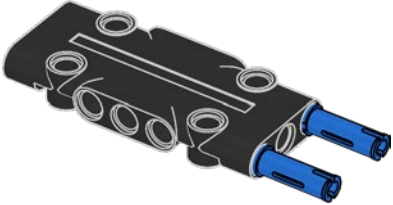


20

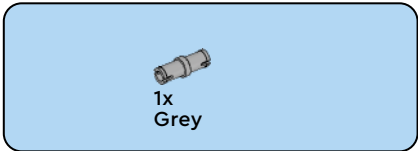
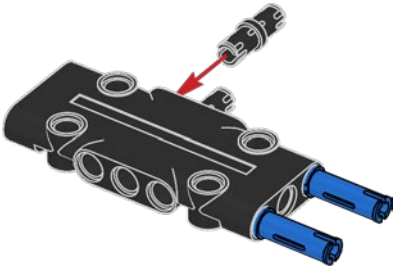




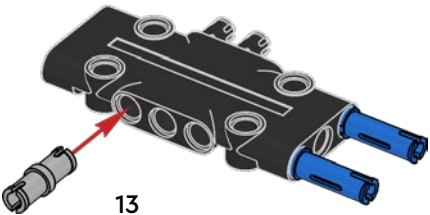
21



22



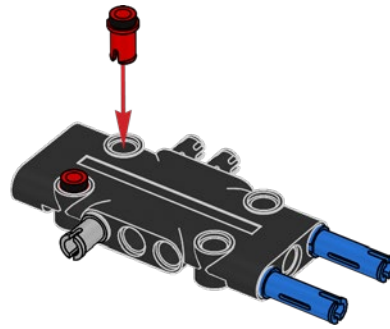
23



13

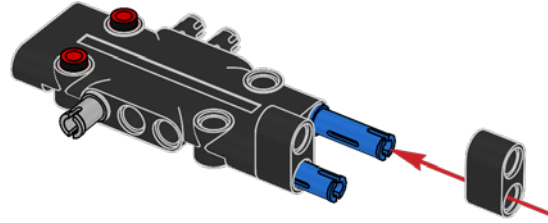
2x
Red

24



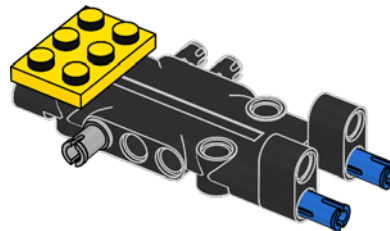
2x
Black

25



1x
Yellow

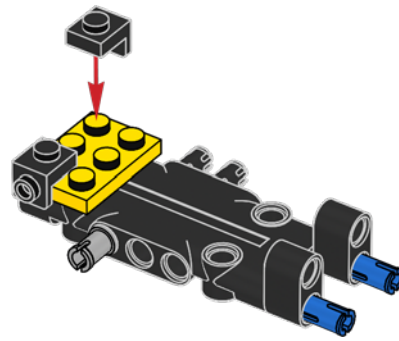
26





2x
Black

27

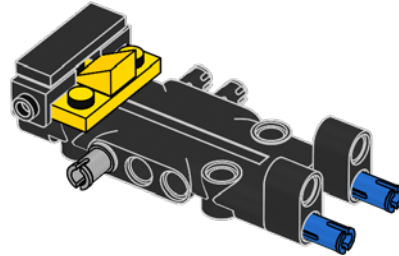


1x
Yellow



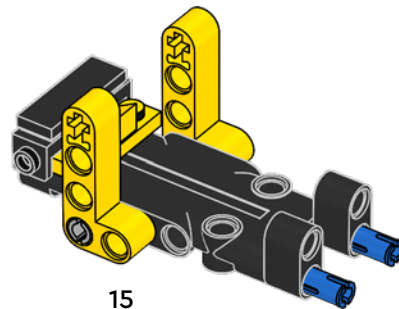
1x
Black

28



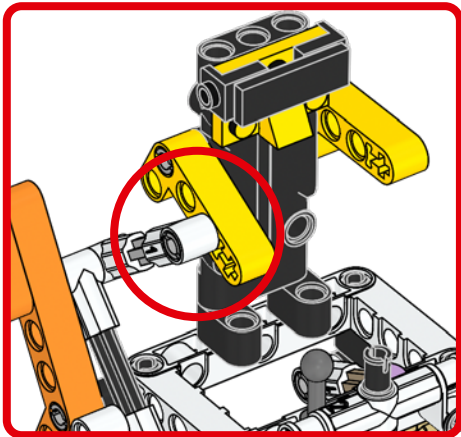
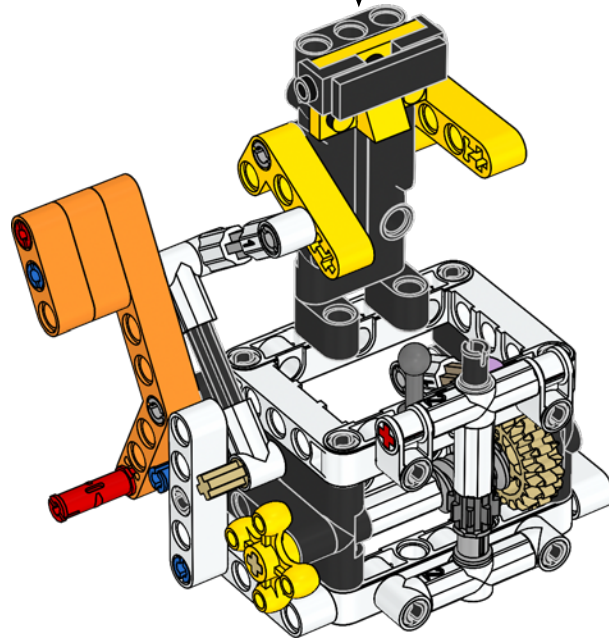
2x
Yellow

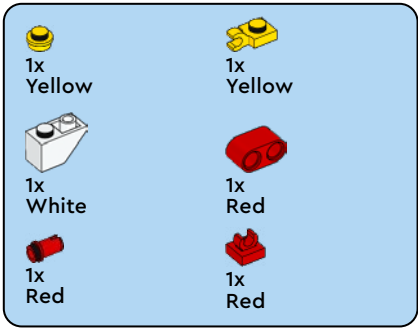
29



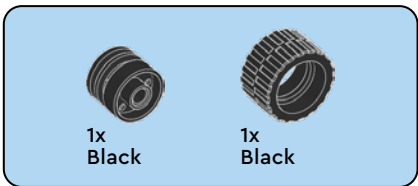
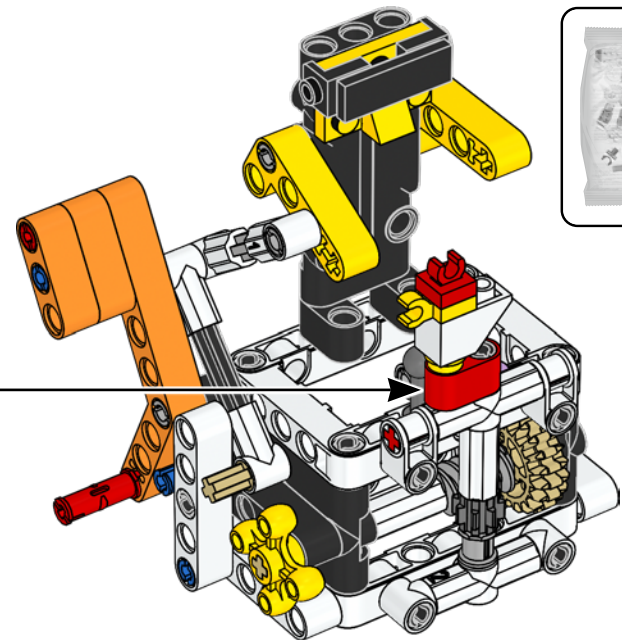
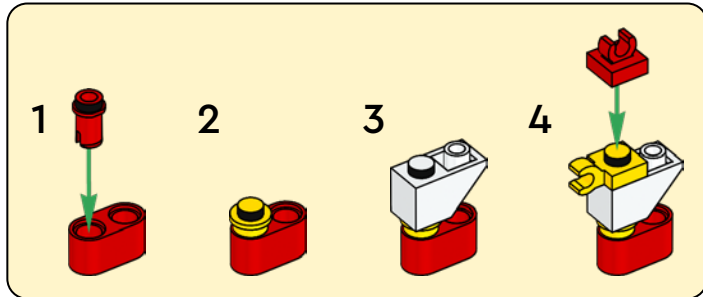


30

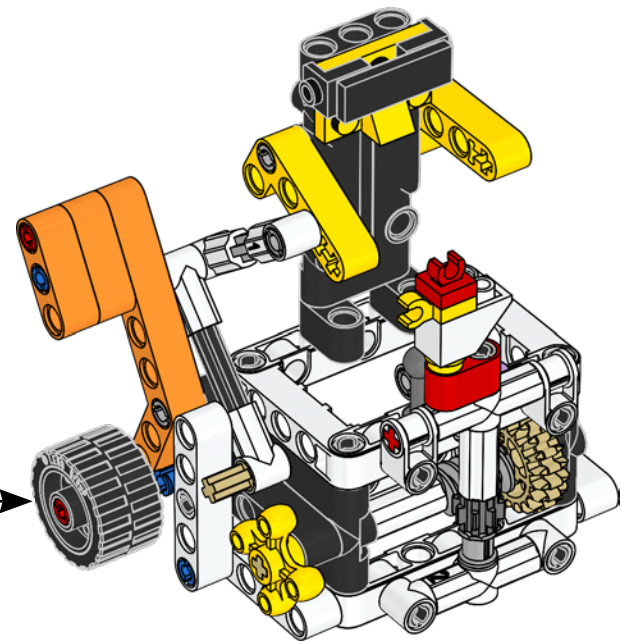
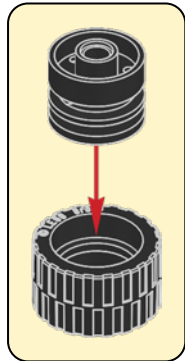




31



32



LEGO and the LEGO logo are trademarks of the/son des marques de commerce du/son marcas registradas de LEGO Group.
 ©2023 The LEGO Group.
 FIRST™ is a registered trademark of For Inspiration and Recognition of Science and Technology (FIRST). LEGO® is a registered trademark of the LEGO Group. FIRST™ LEGO® League and MASTERPIECE™ are jointly held trademarks of FIRST and the LEGO Group.
 ©2023 FIRST and the LEGO Group. All rights reserved.