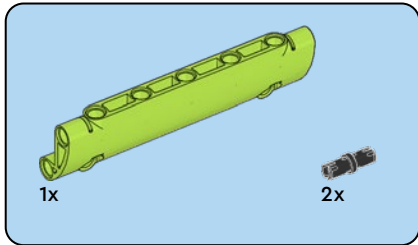
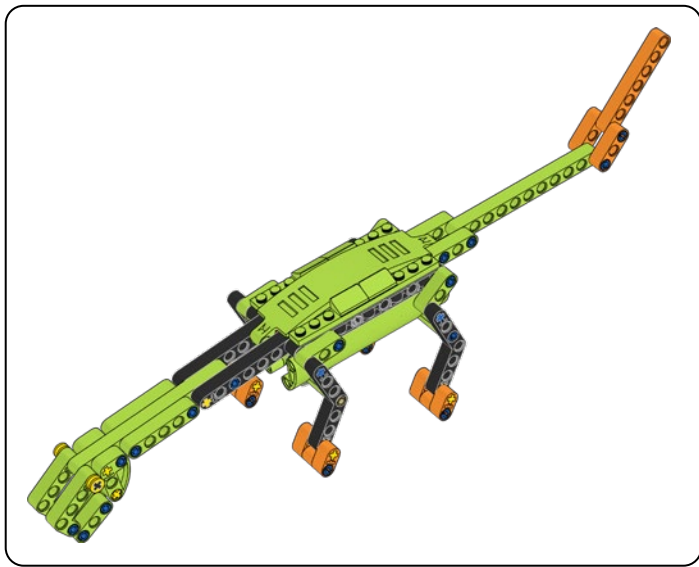
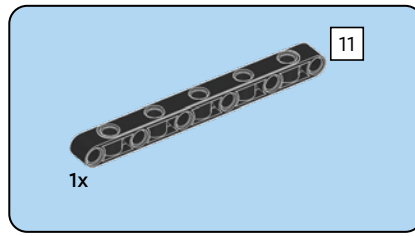
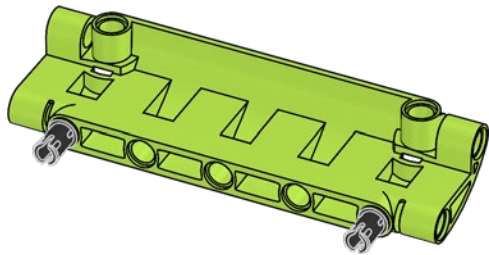


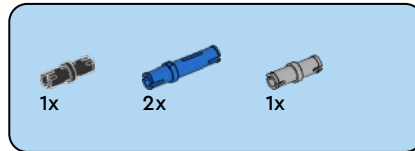
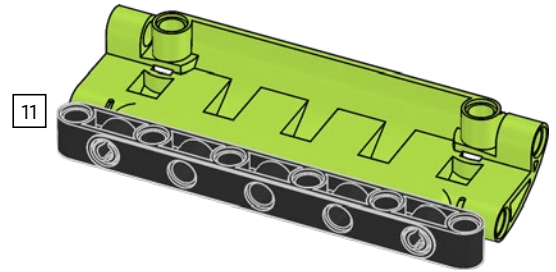
45820



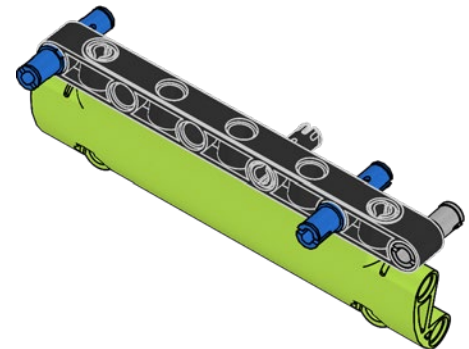
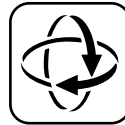
1

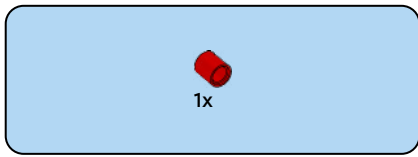


2

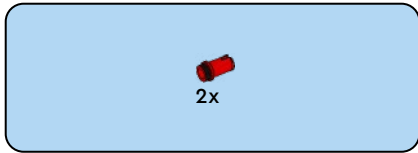
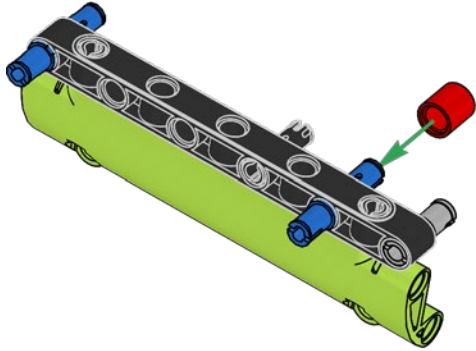


3

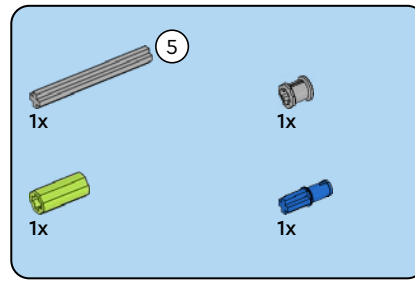
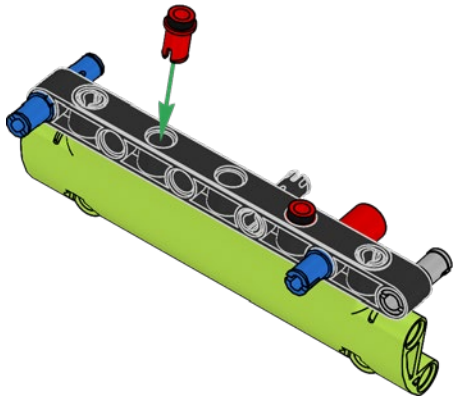




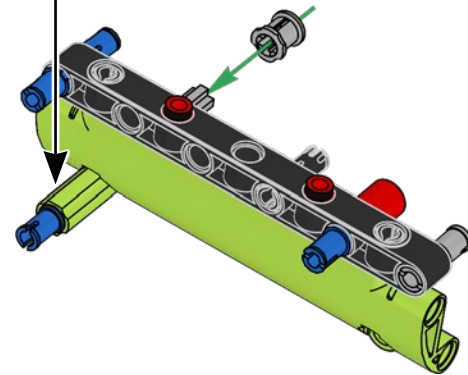
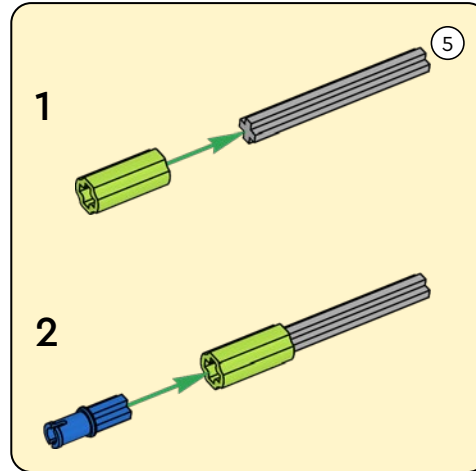
4



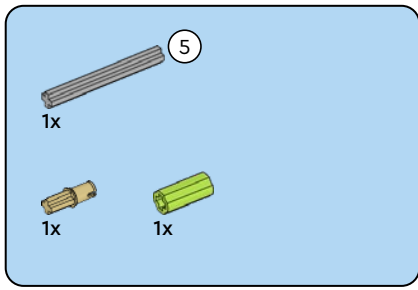
5



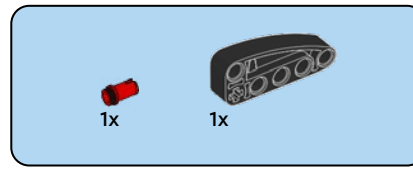
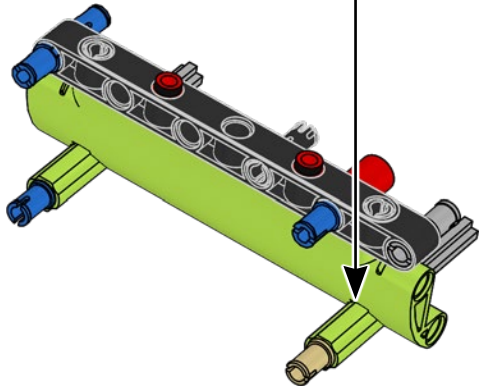
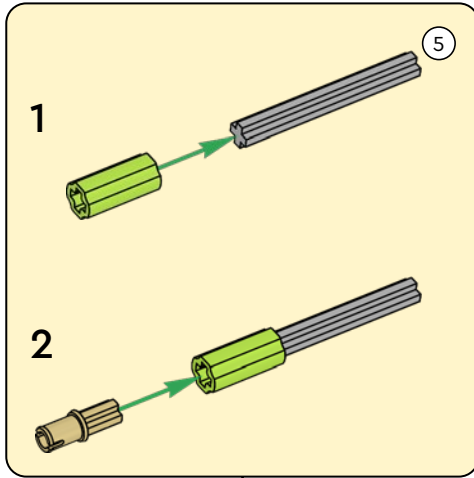
6



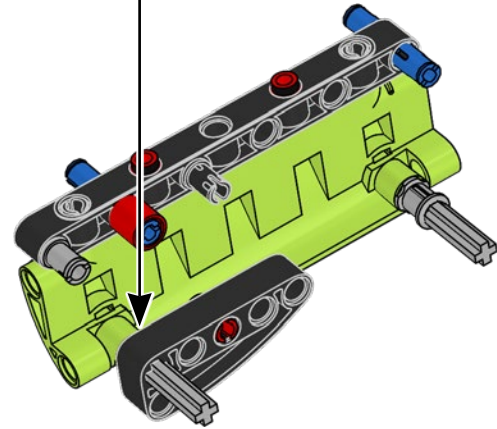
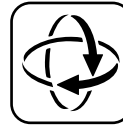
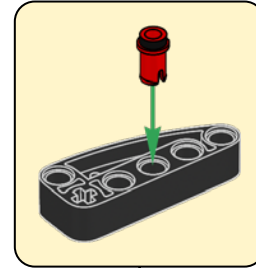
9



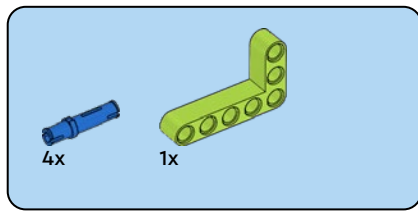
7



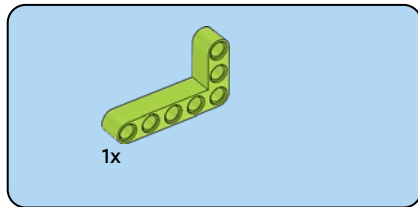
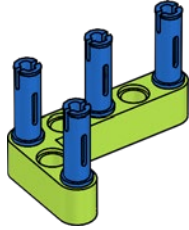
8



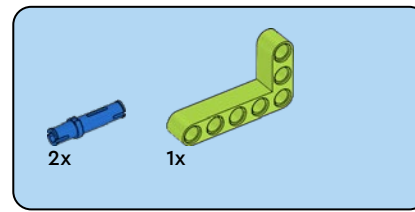
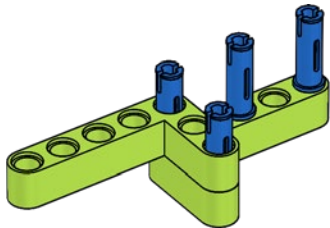
9



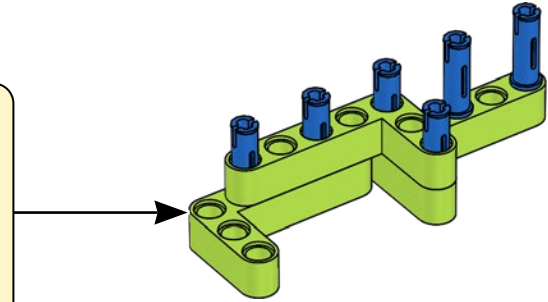
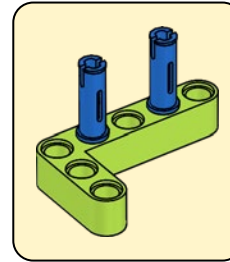
9



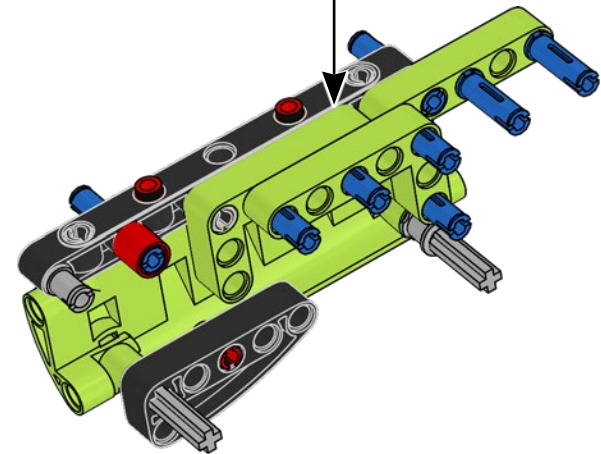
10

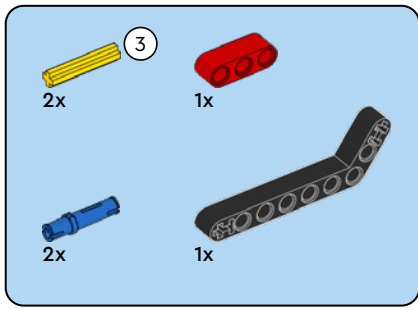


11

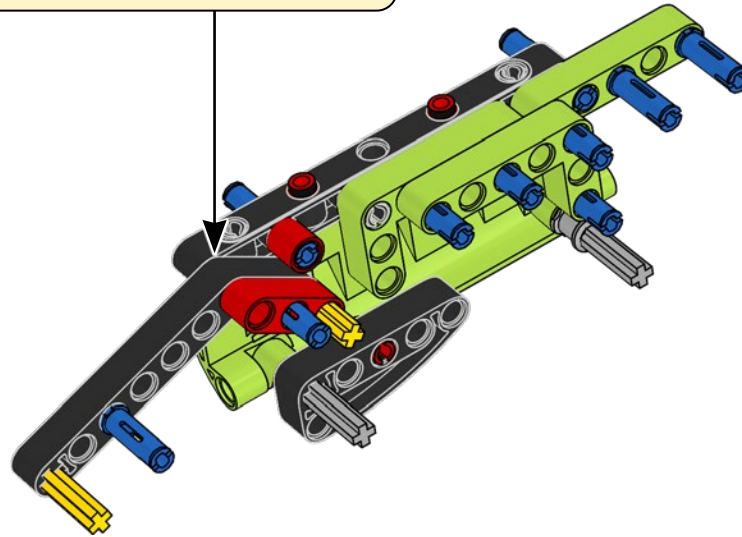
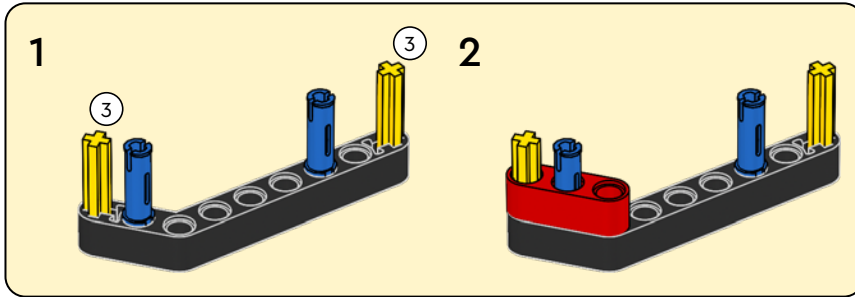


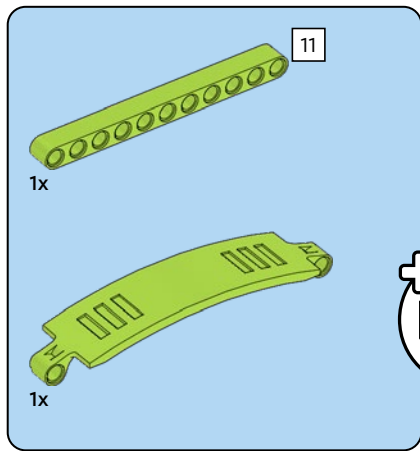
12



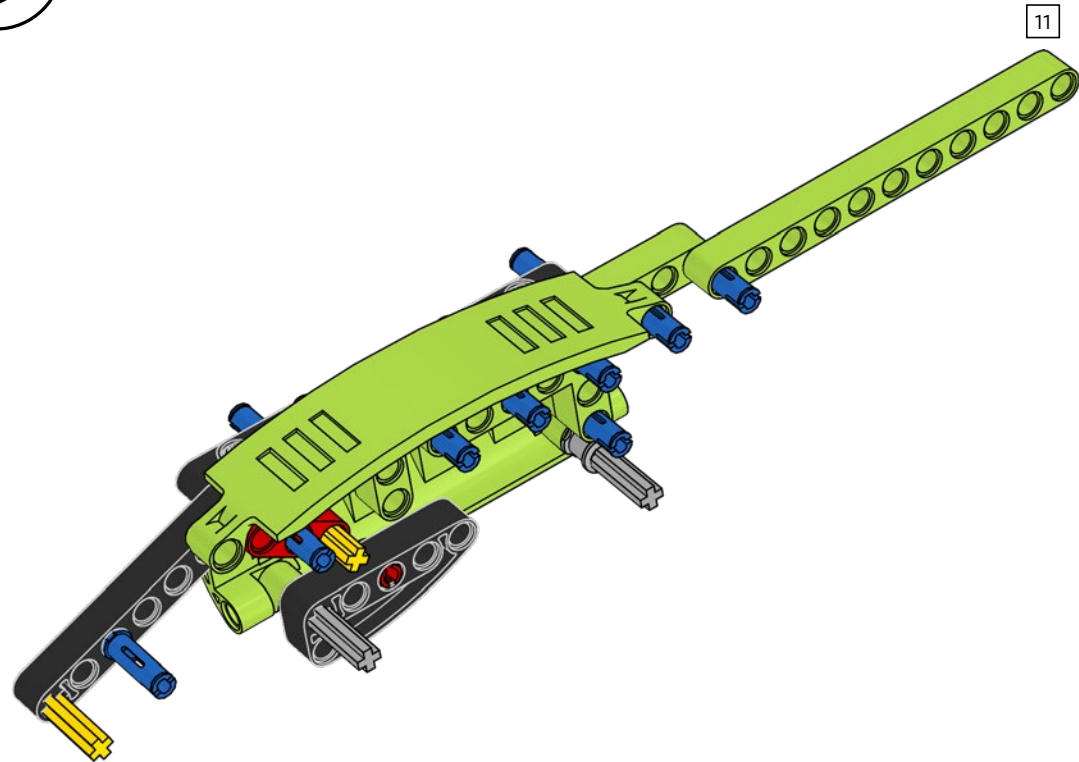


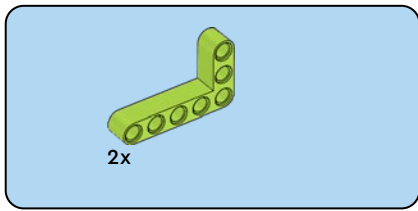
13



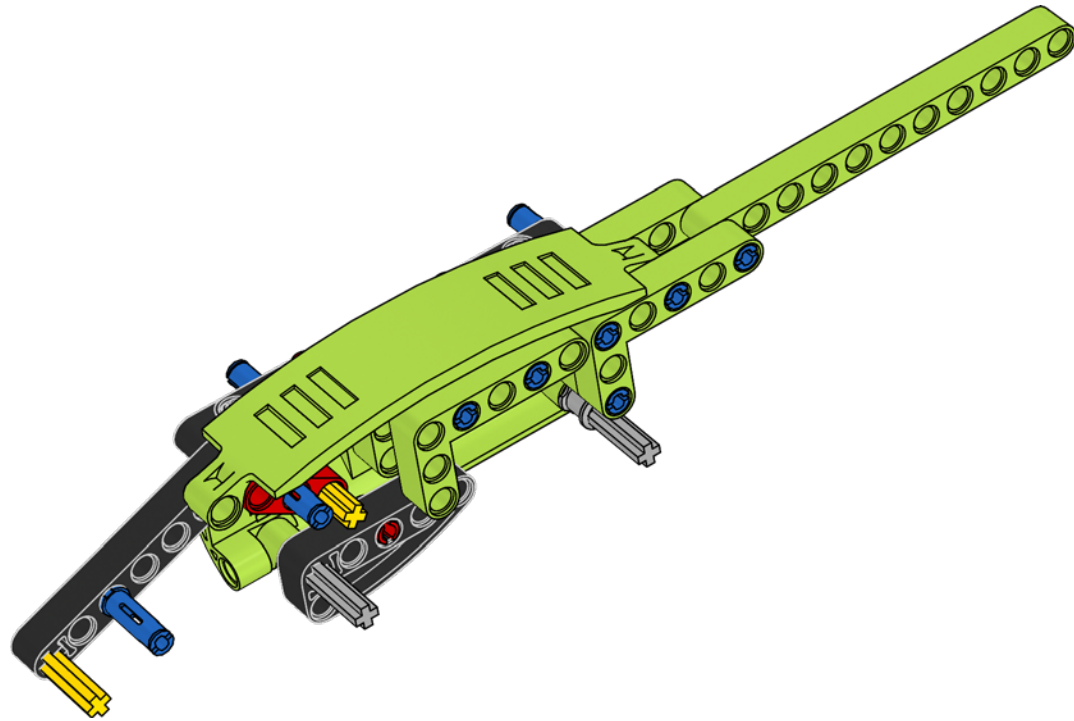


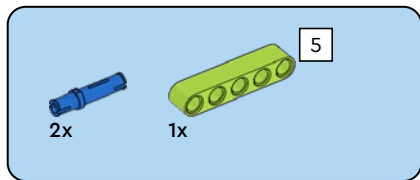
14



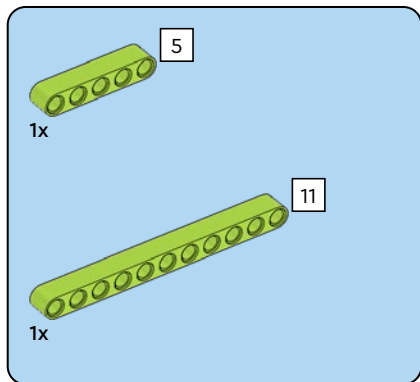
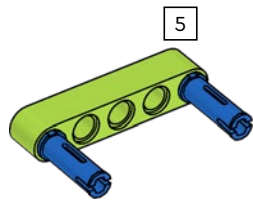


15

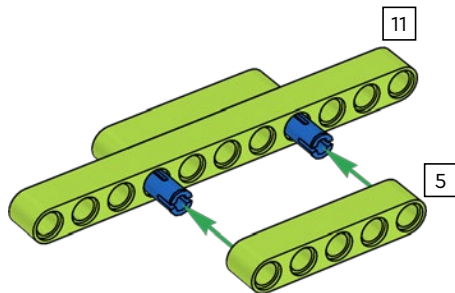




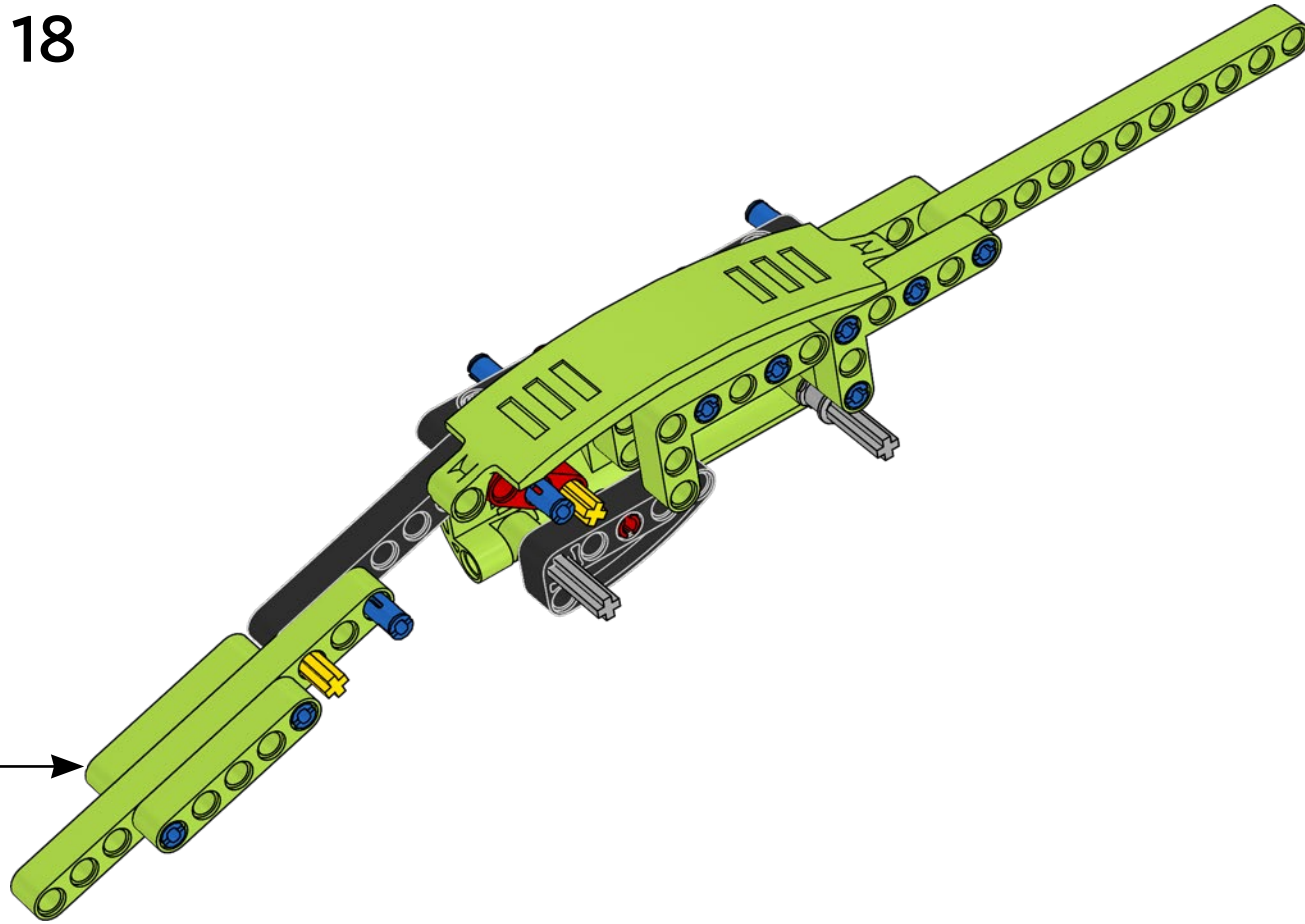
16

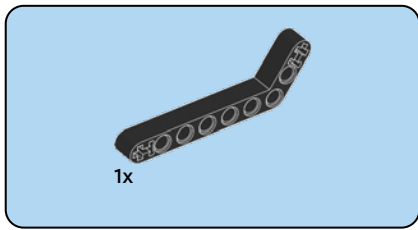


17

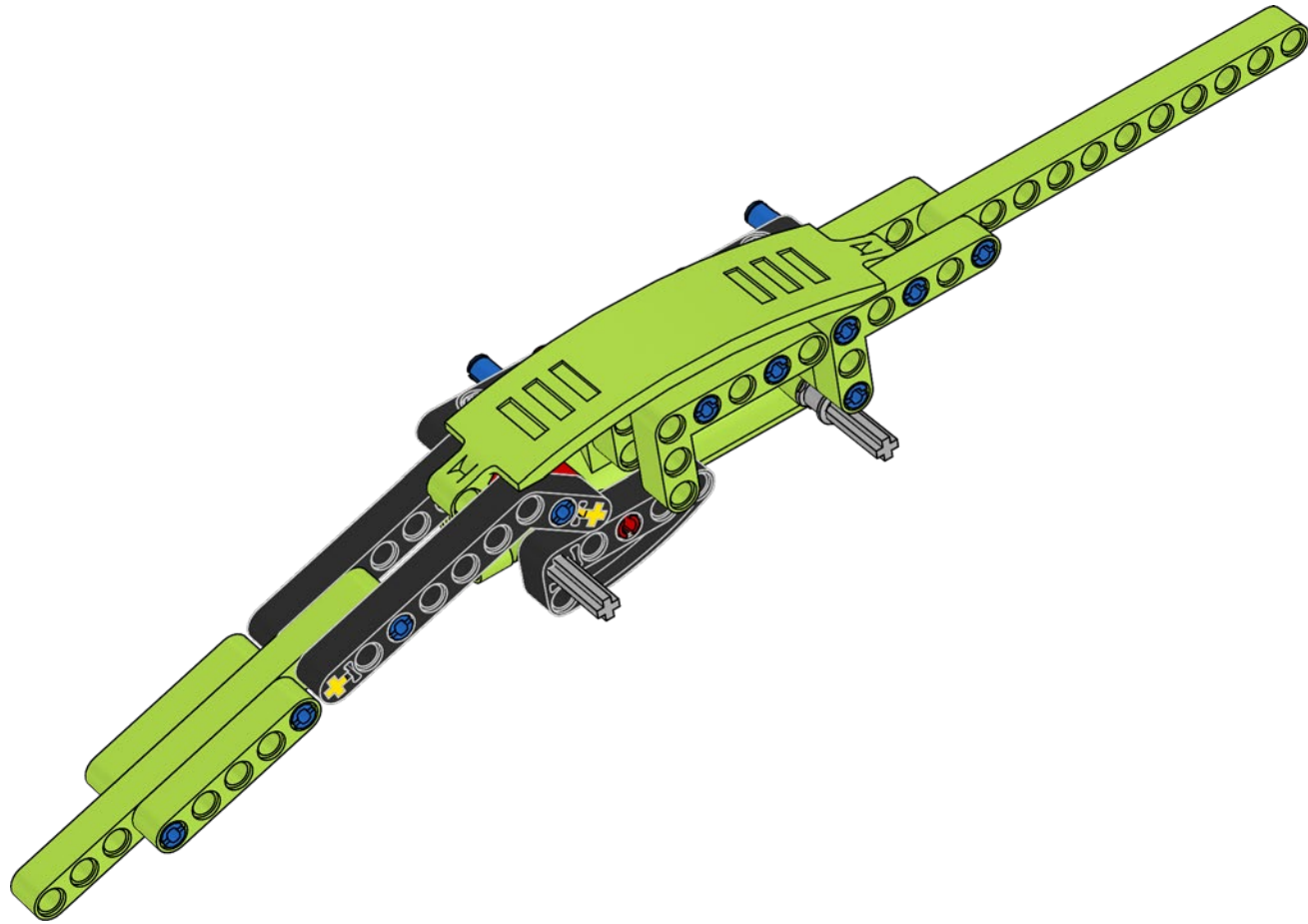


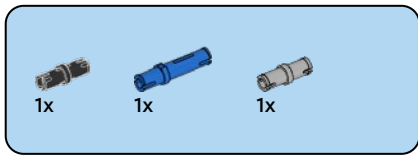
18



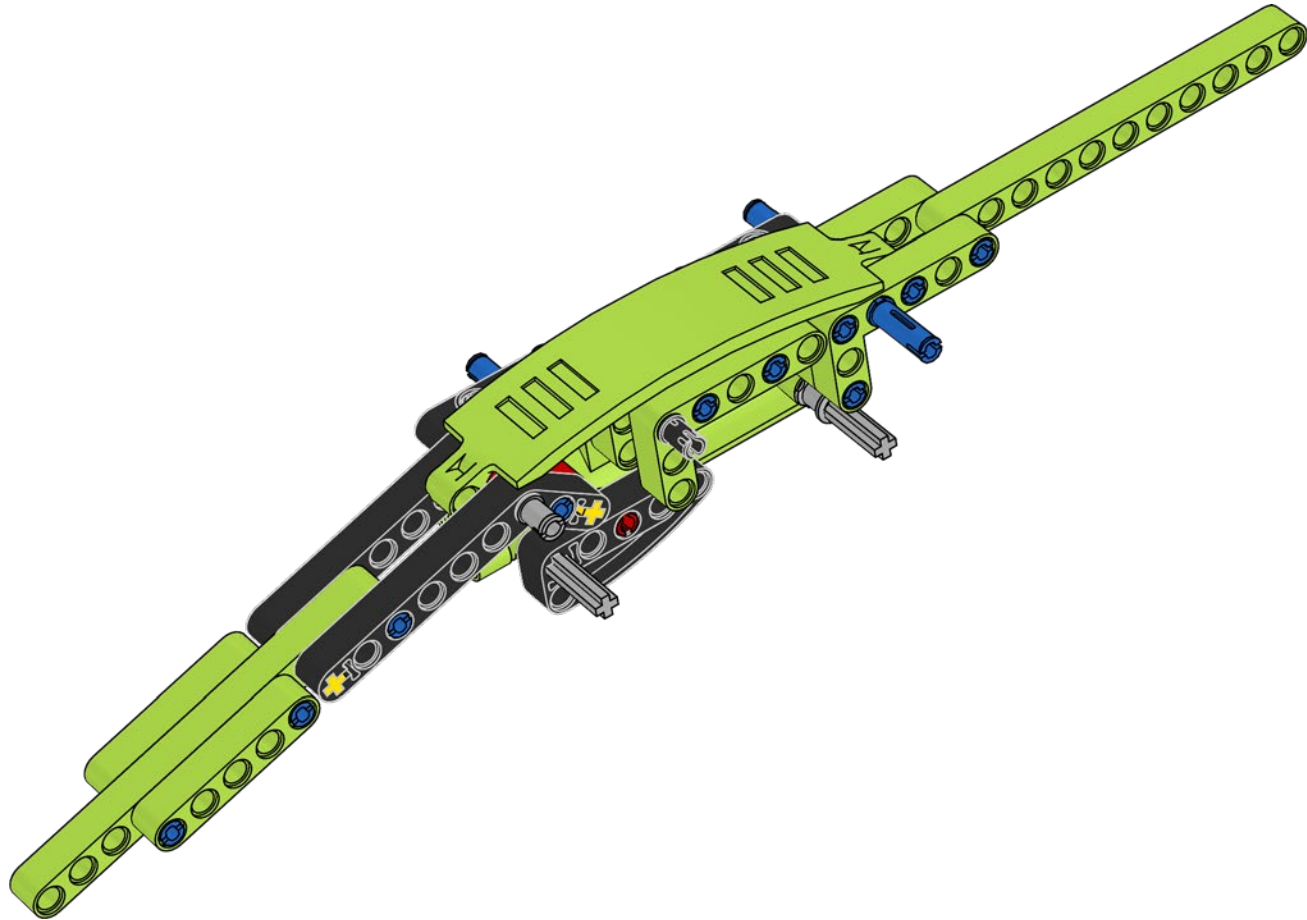


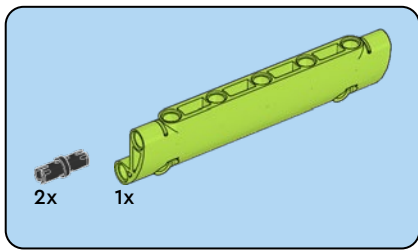
19



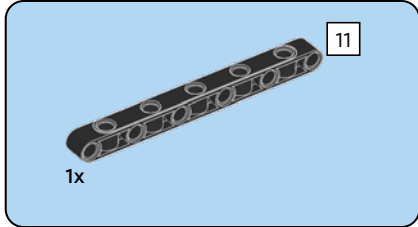
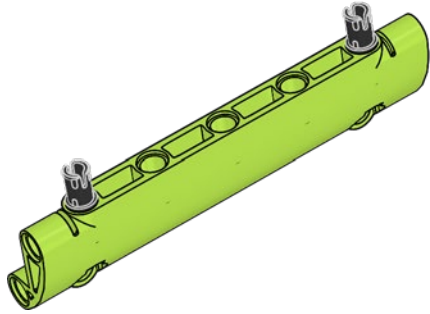


20

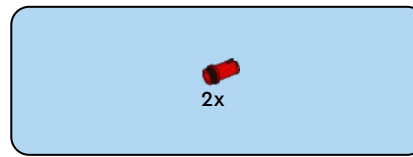
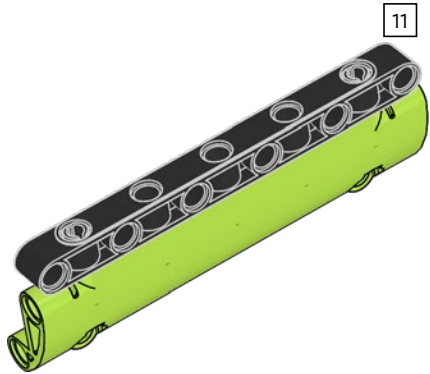




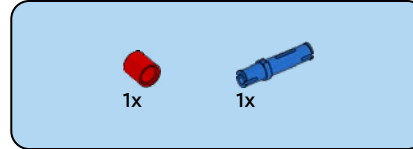
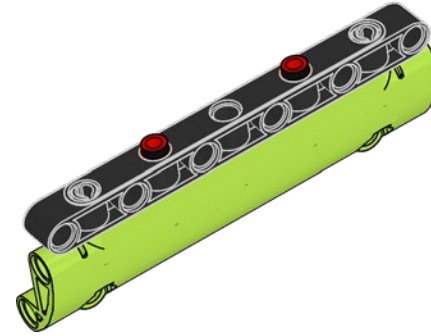
21



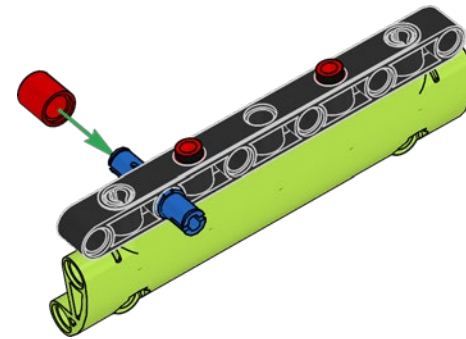
22



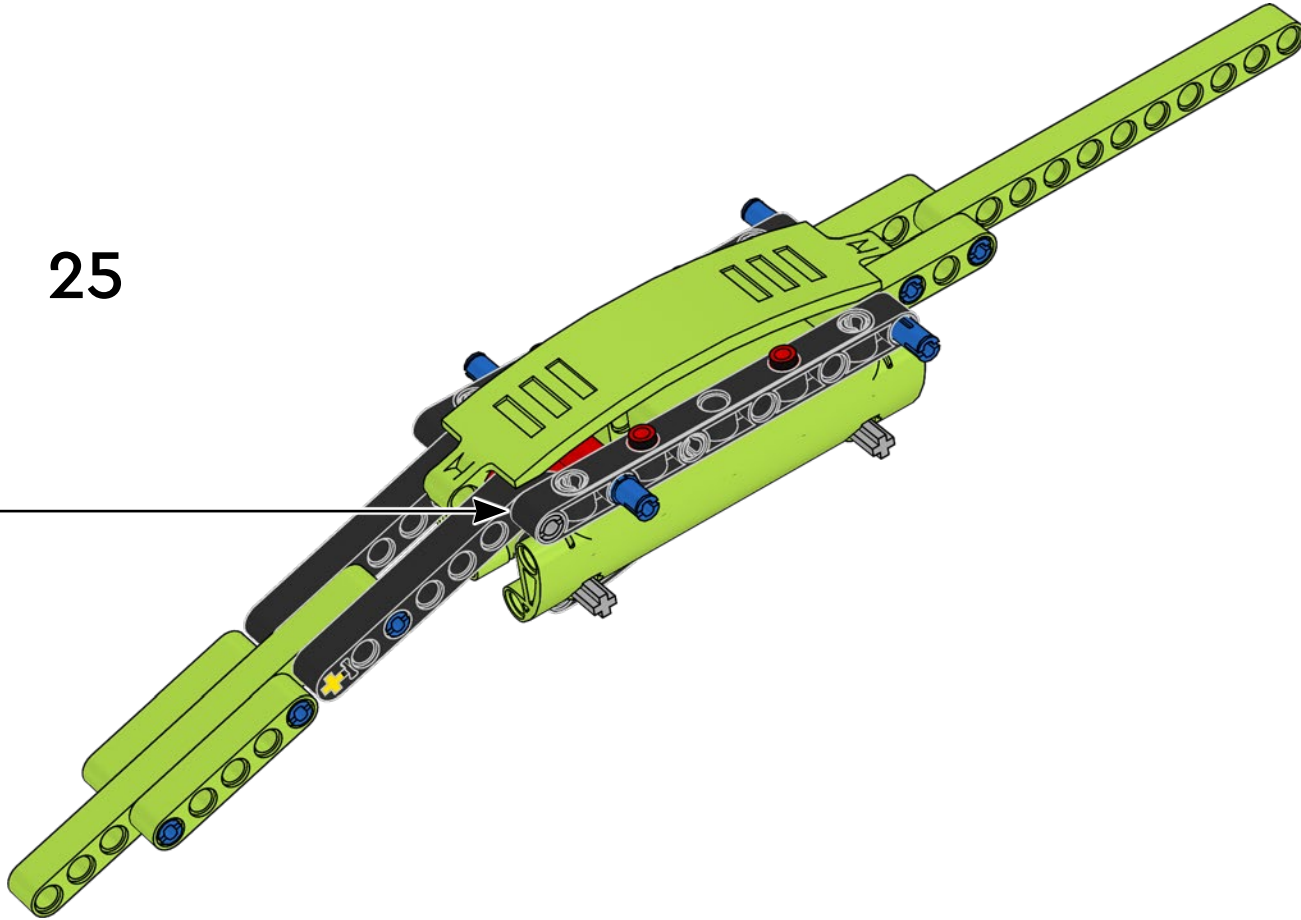
23



24

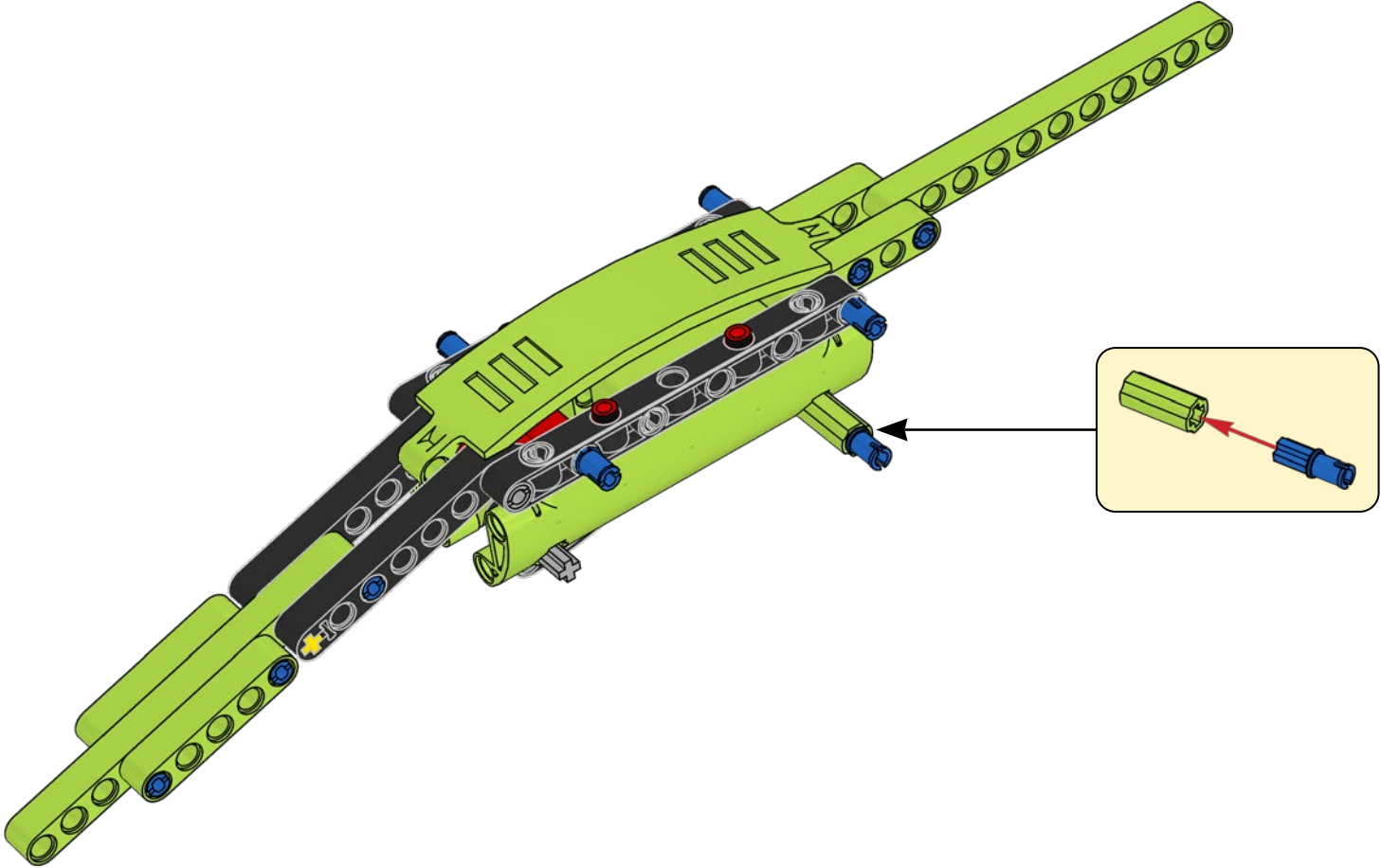


25



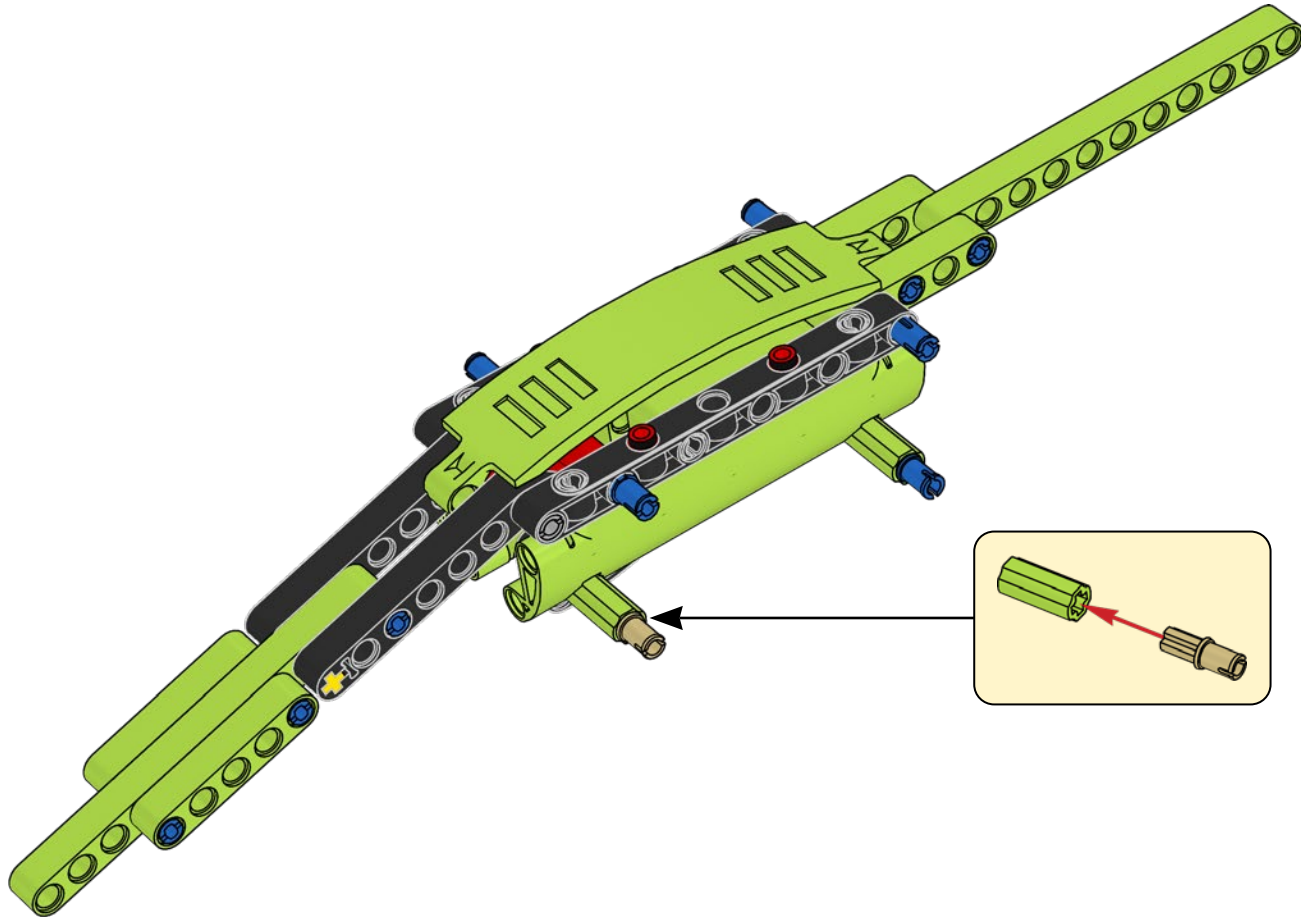


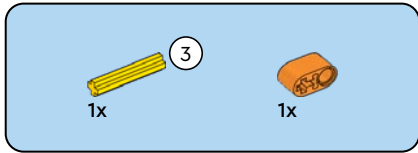
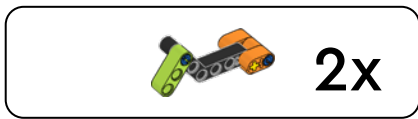
26



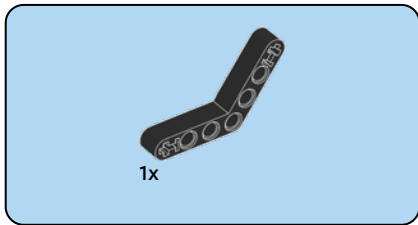


27

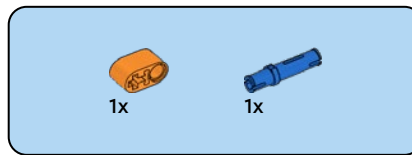




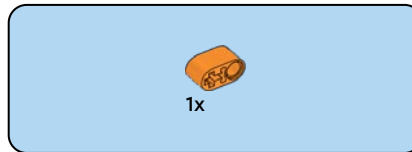
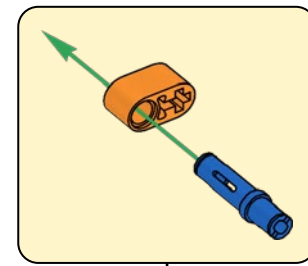
28



29



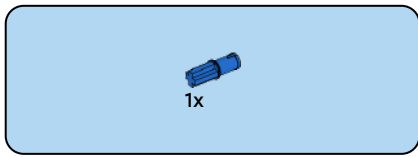
30



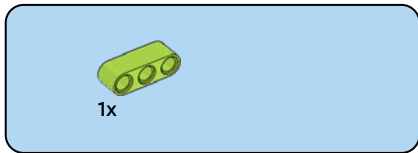
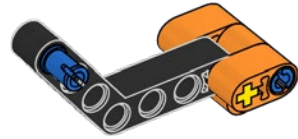
31



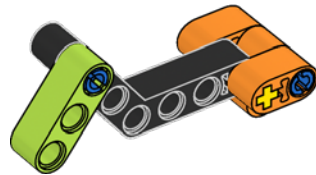
9



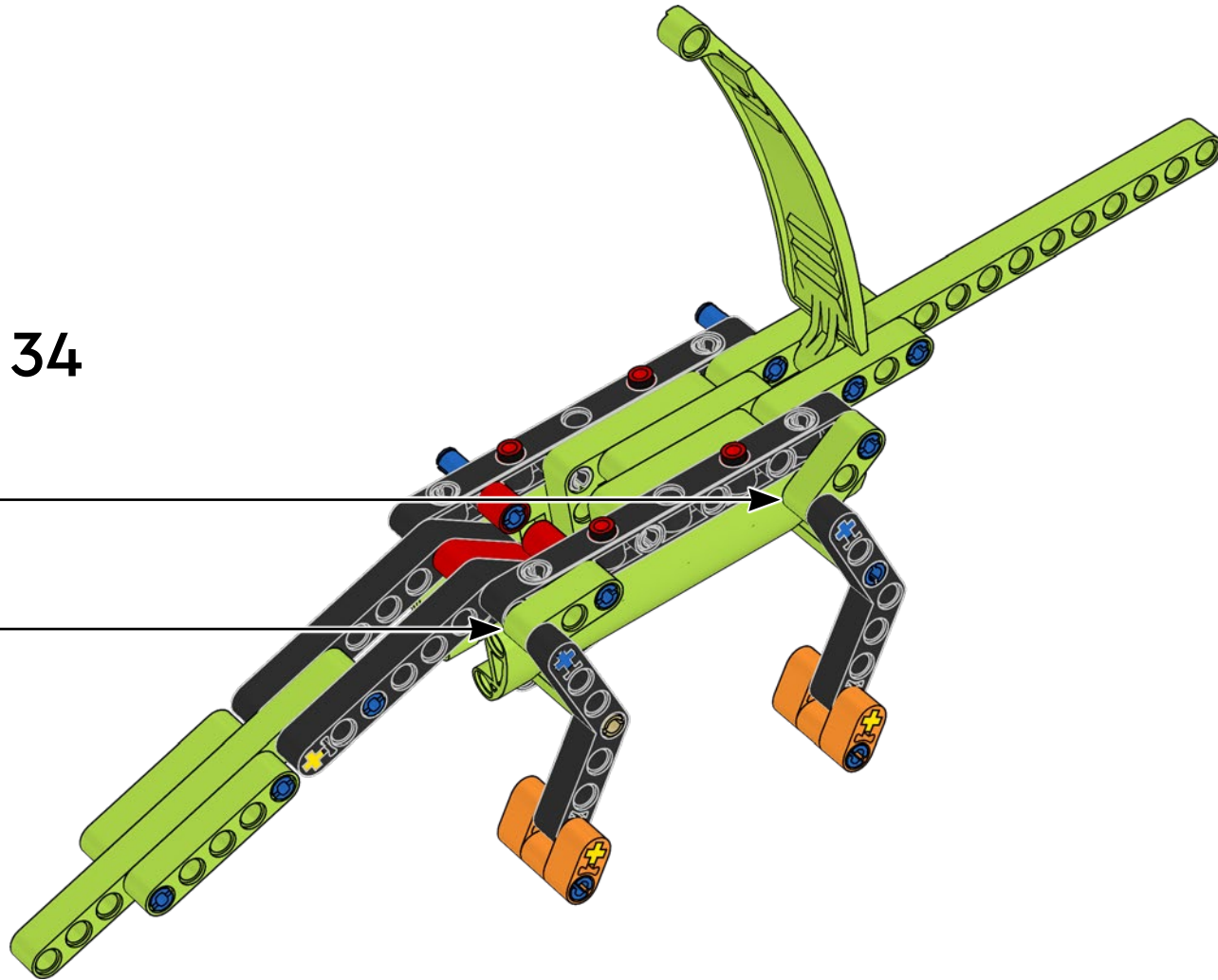
32

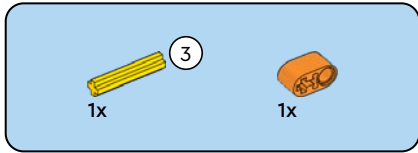
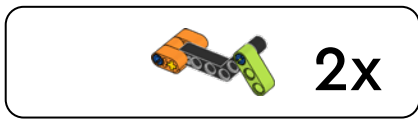


33

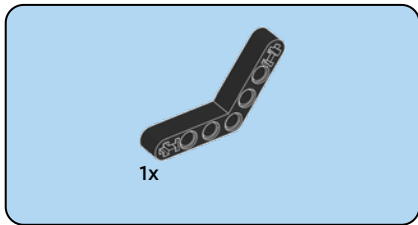
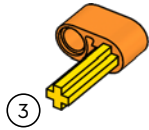


2x

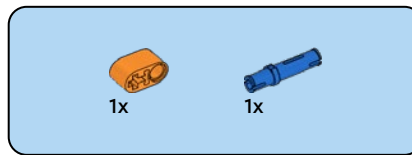




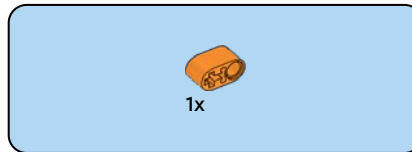
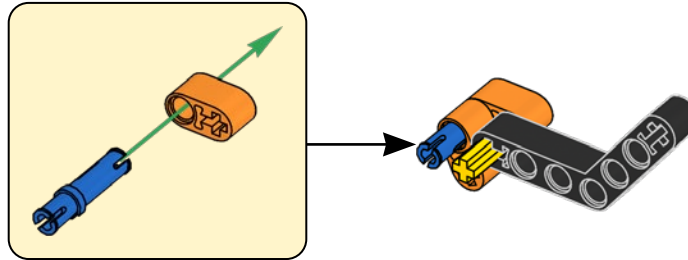
35



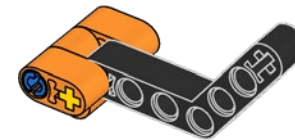
36



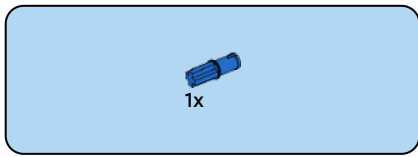
37



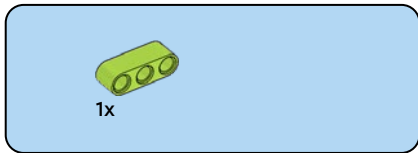
38



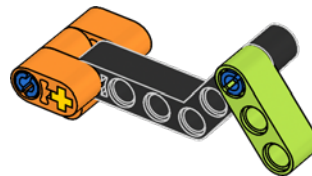
9



39

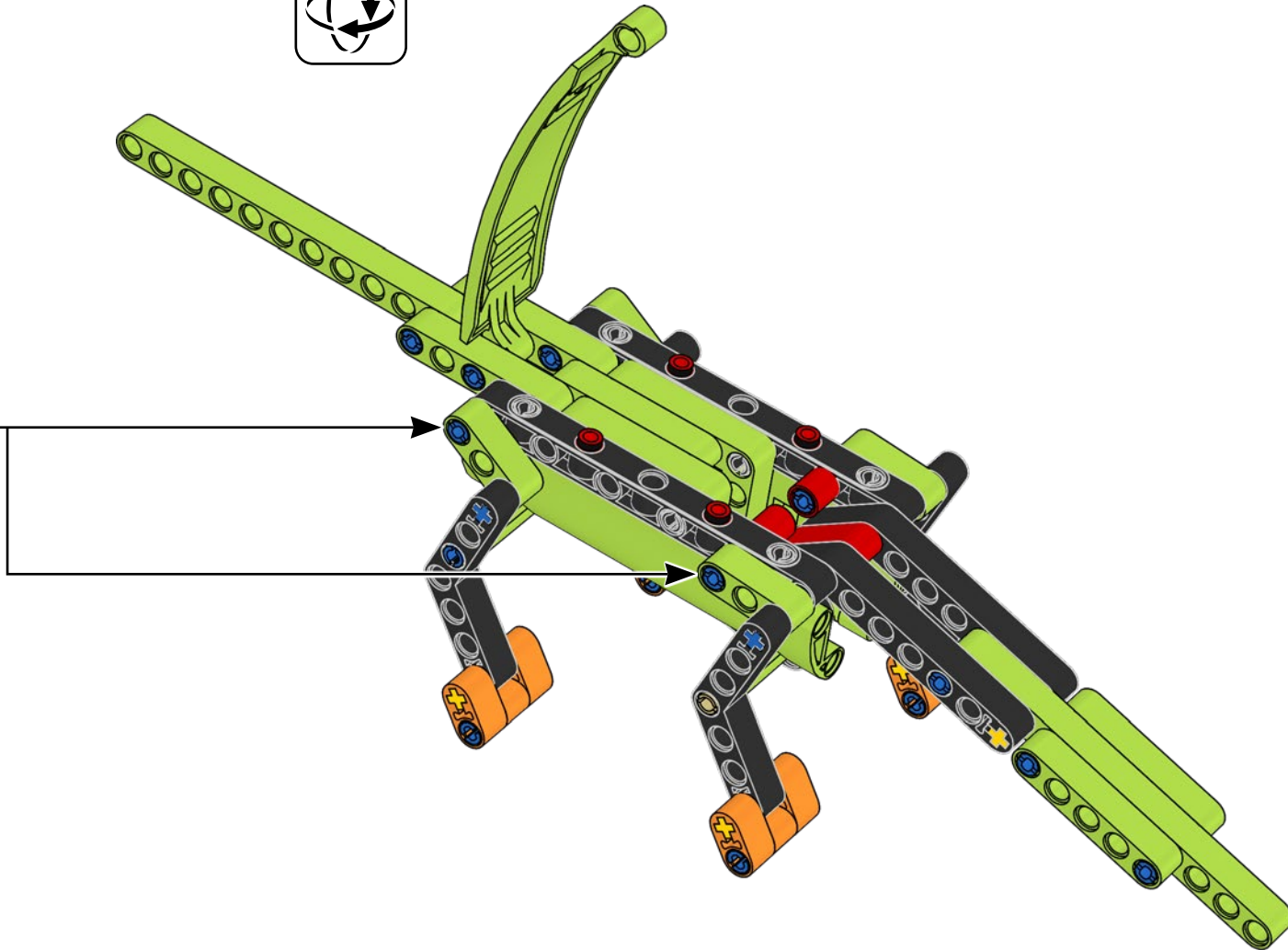


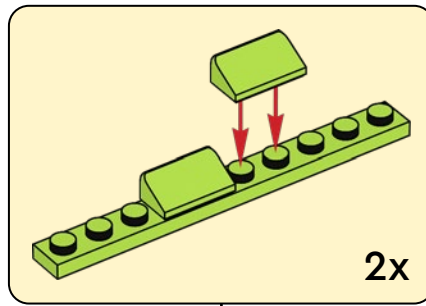
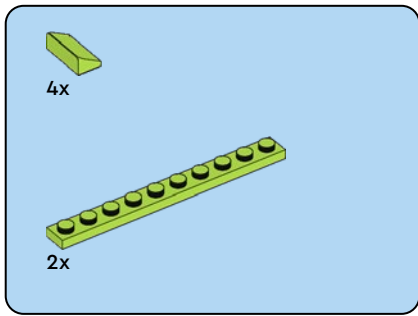
40



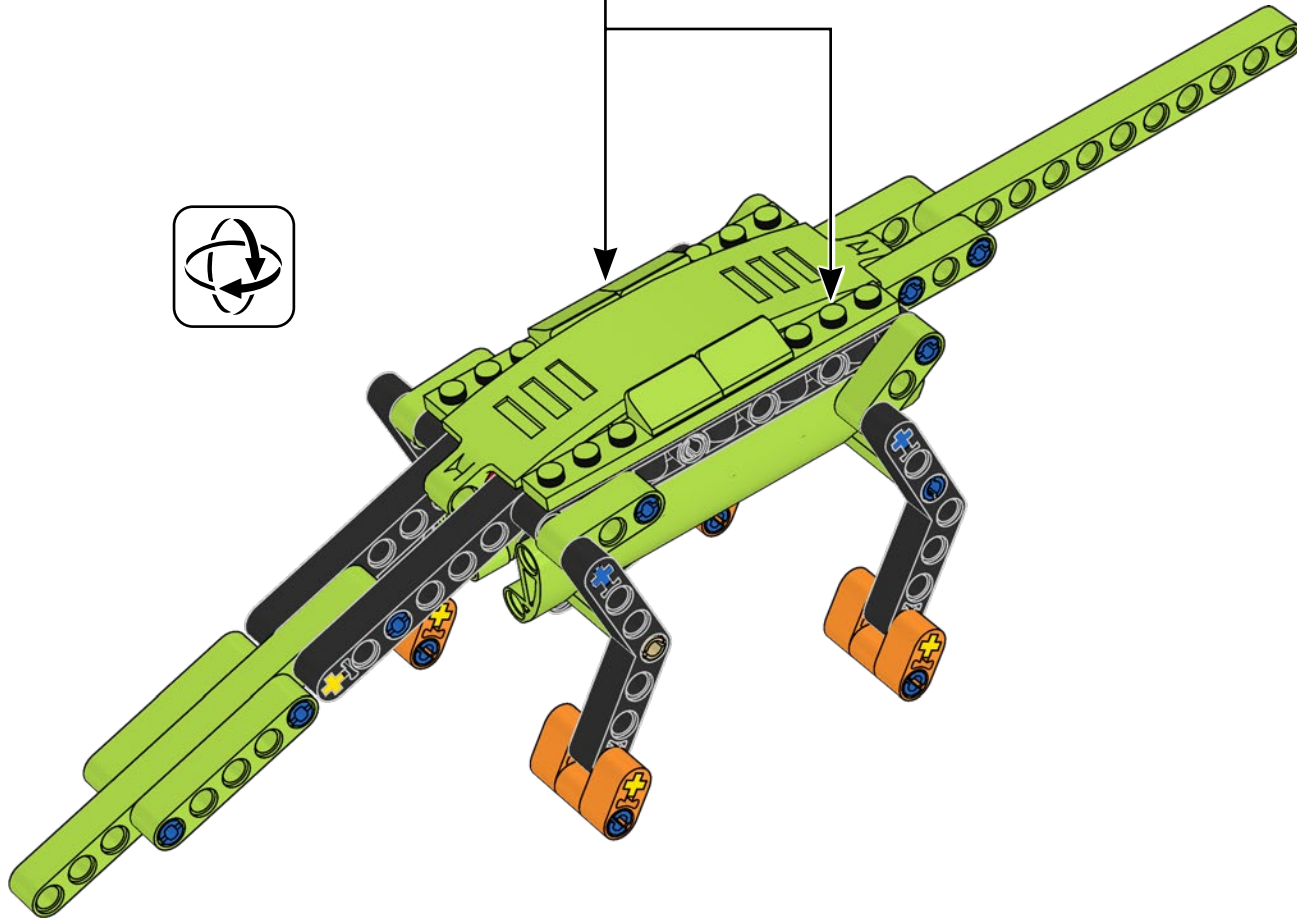
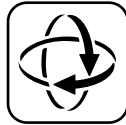
2x

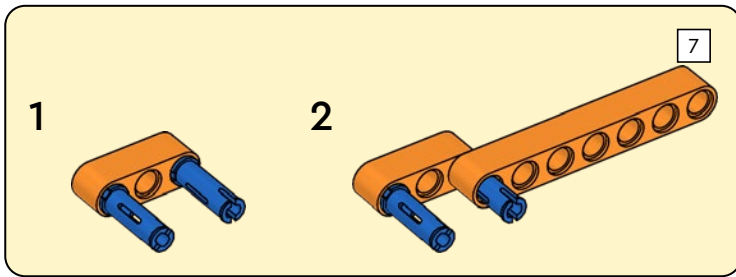
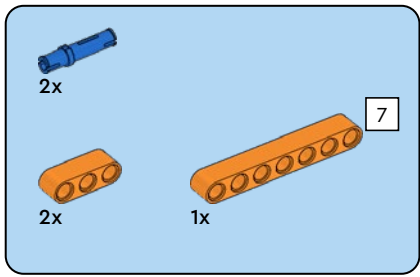
41



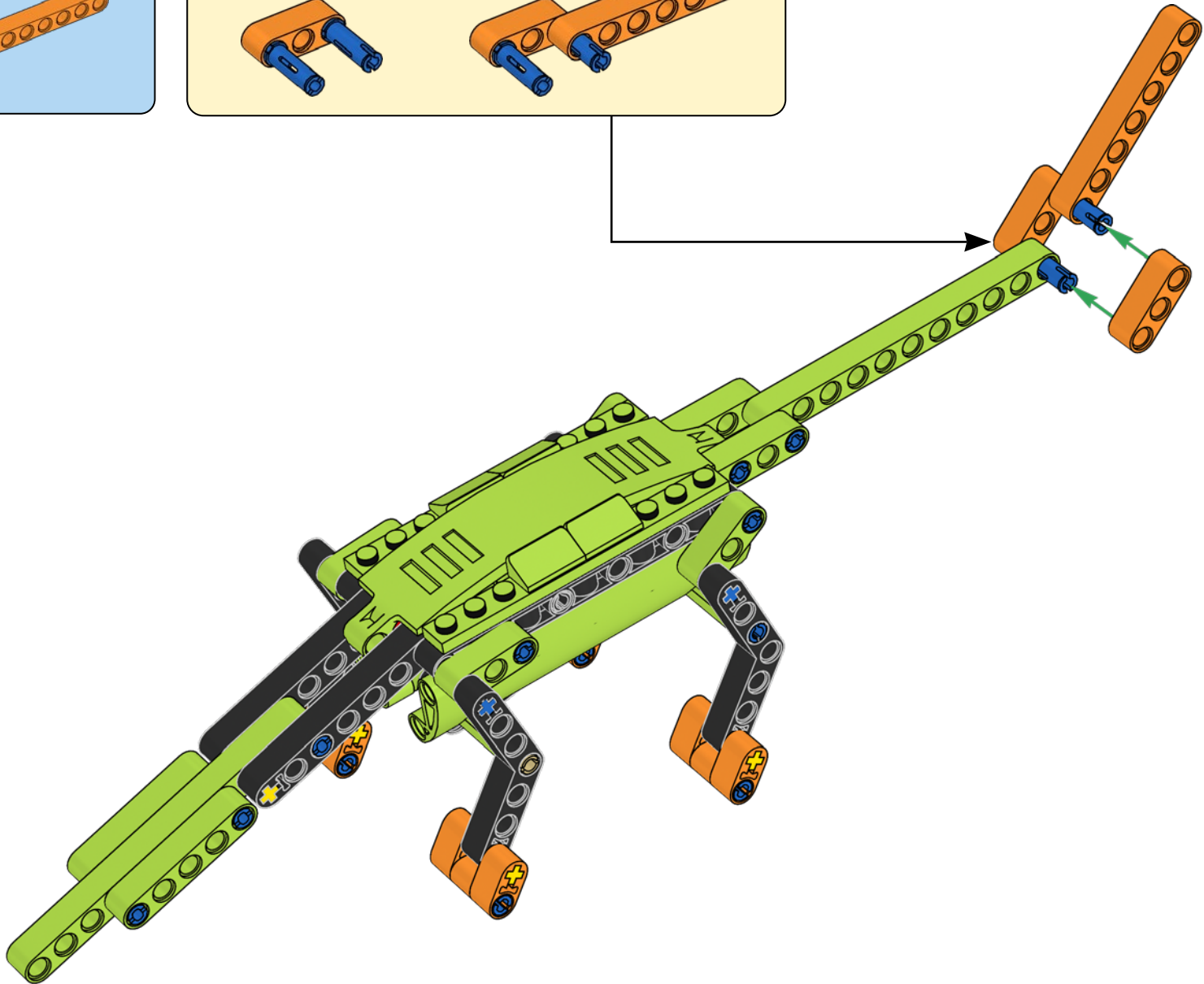


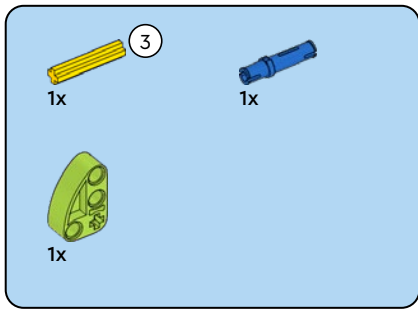
42



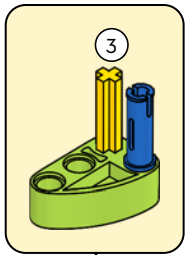


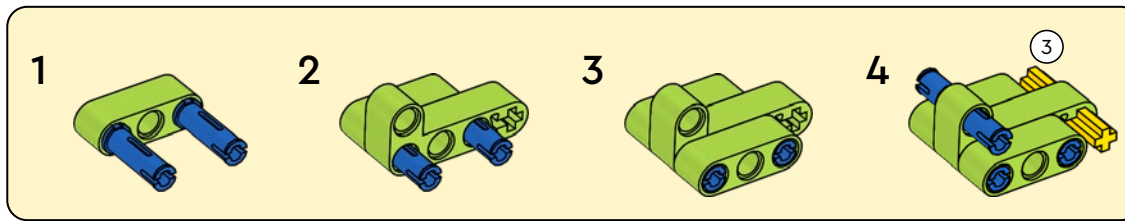
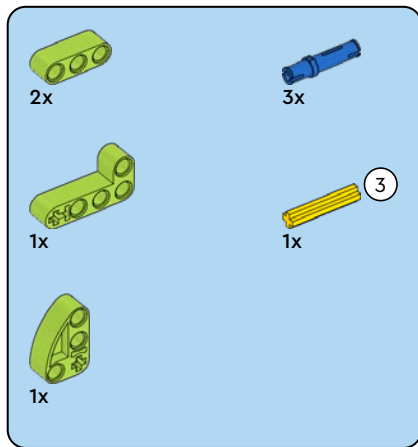
43



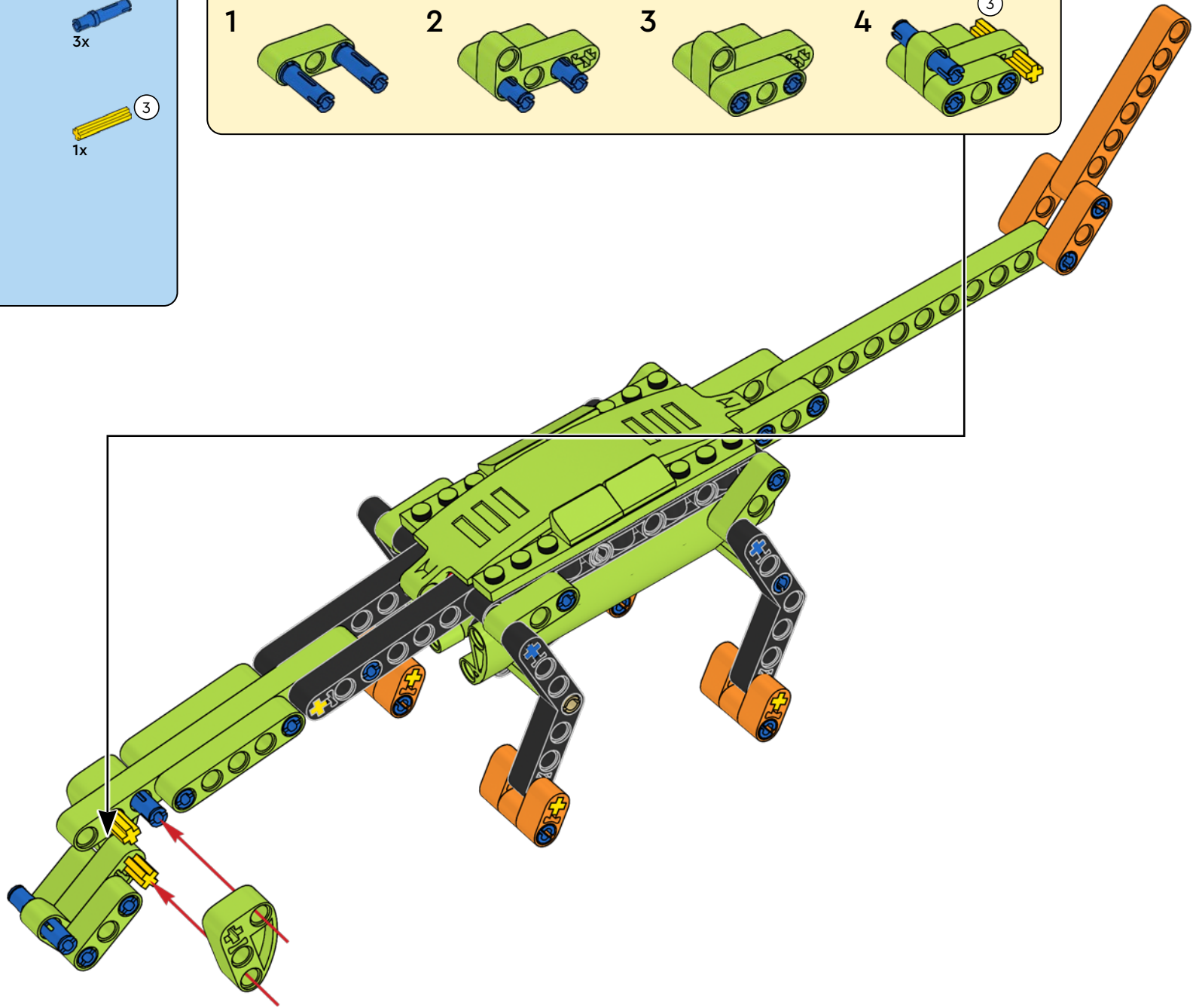


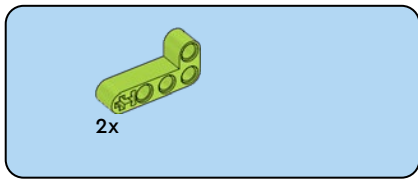
44





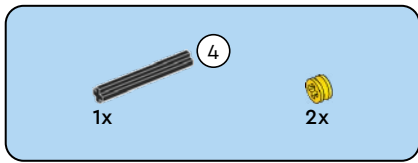
45



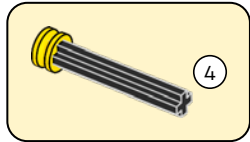


46





47





LEGO and the LEGO logo are trademarks of the/son des marques de commerce du/son marcas registradas de LEGO Group.
©2022 The LEGO Group.

FIRST™ is a registered trademark of For Inspiration and Recognition of Science and Technology (FIRST). LEGO® is a registered trademark of the LEGO Group. FIRST™, LEGO™, League and SUPERPOWERED™ are jointly held trademarks of FIRST and the LEGO Group.

©2022 FIRST and the LEGO Group. All rights reserved.

