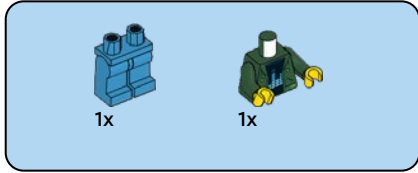
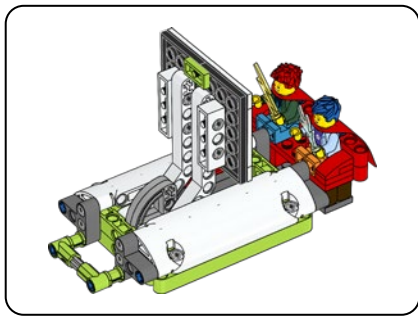
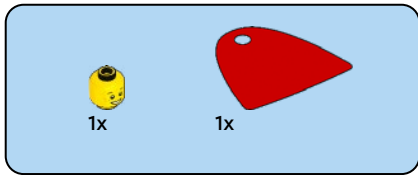
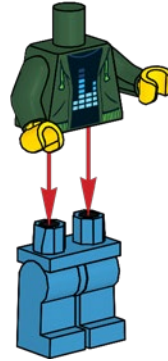




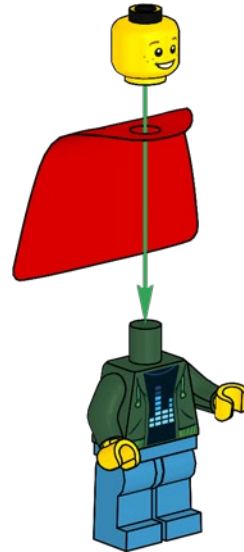
45820

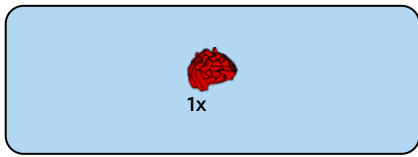


1

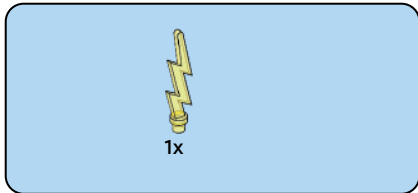


2



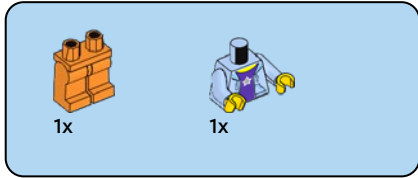


3

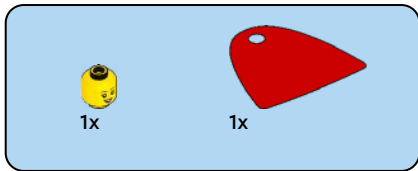
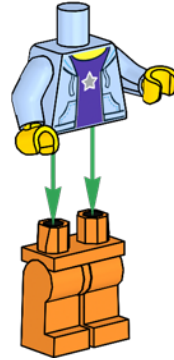


4

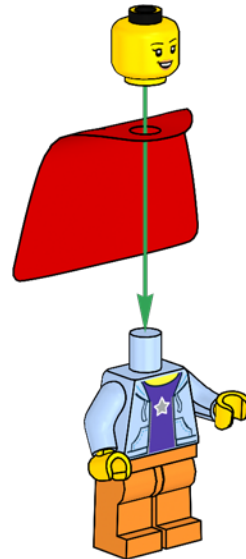


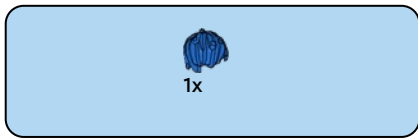


1



2



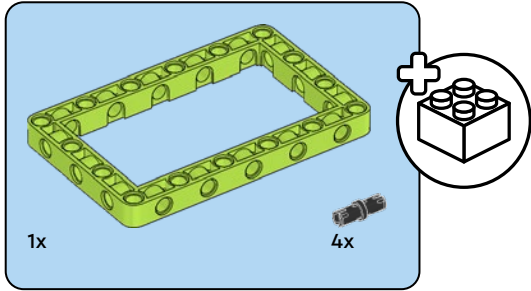
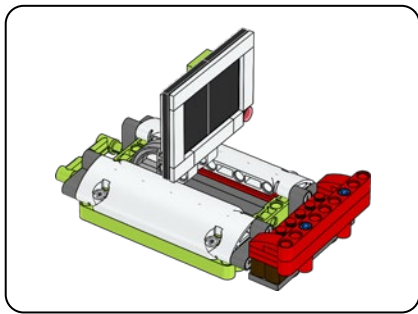


3

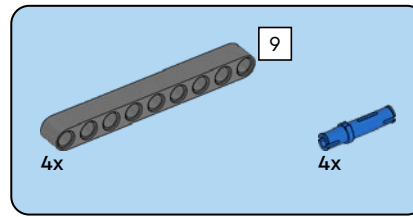
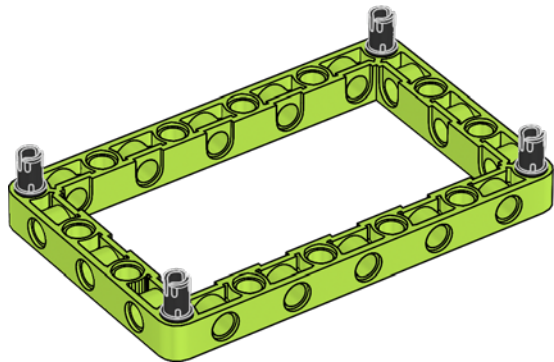


4

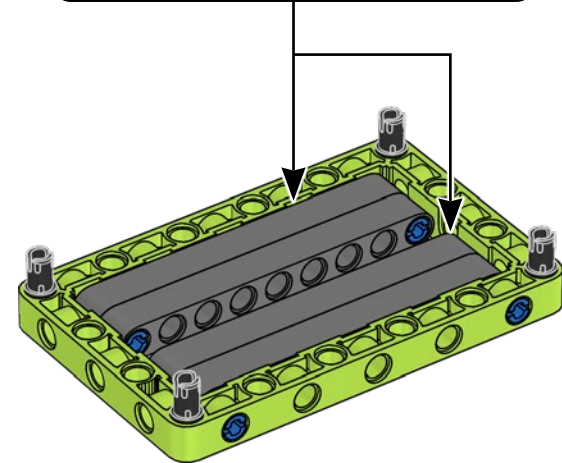
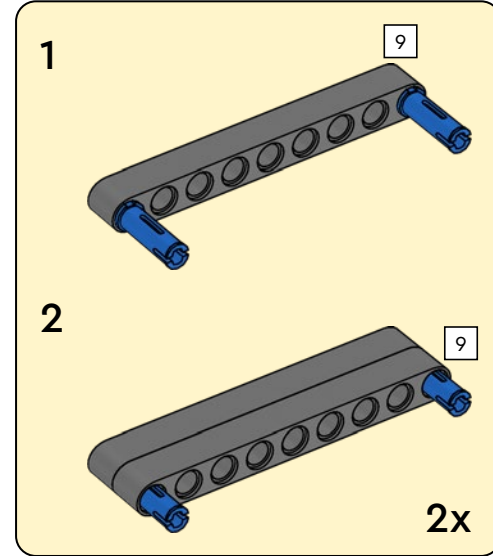




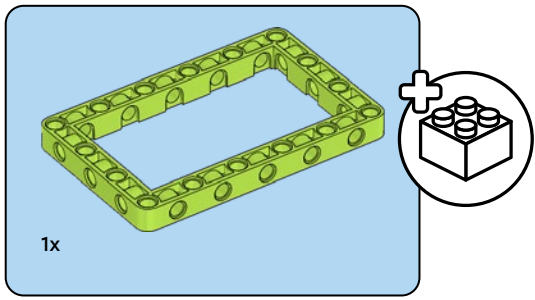
1



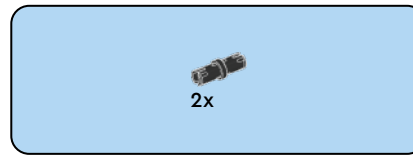
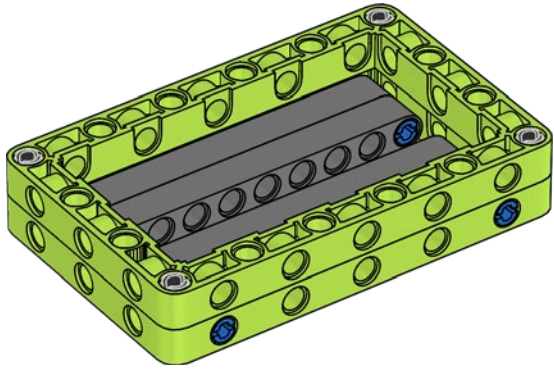
2



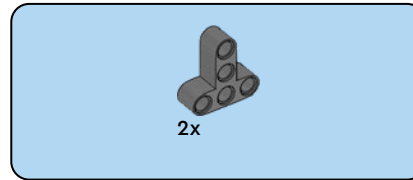
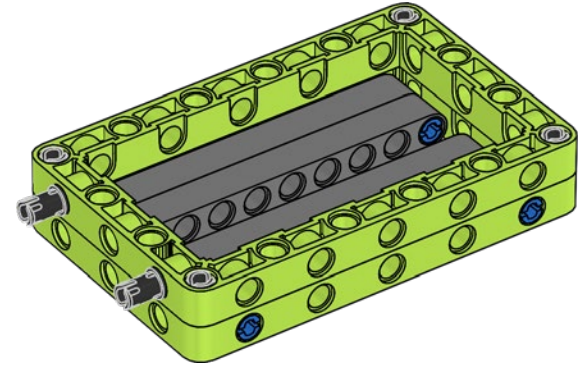
8



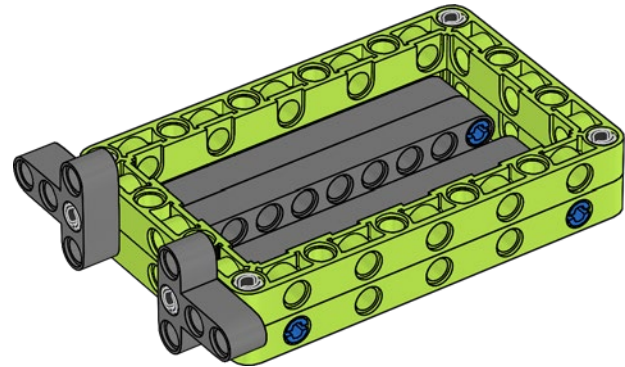
3

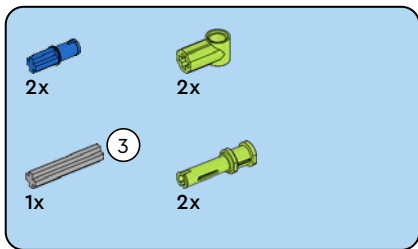


4

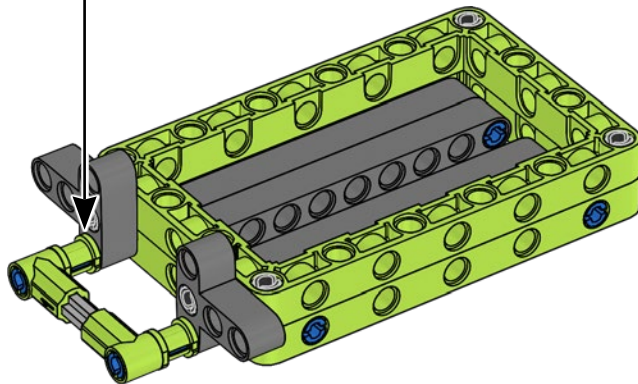
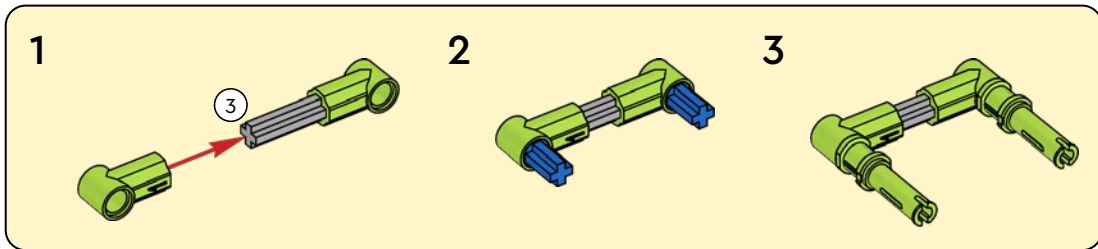


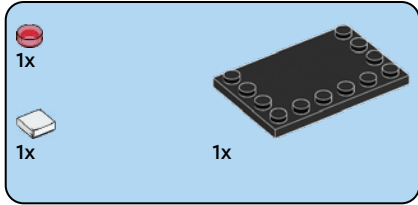
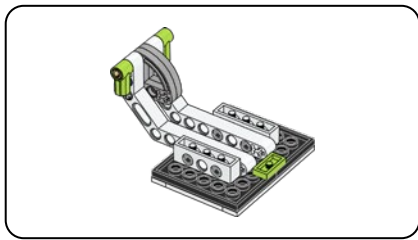
5



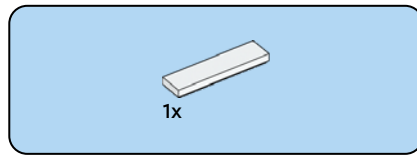
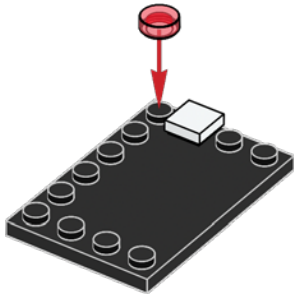


6

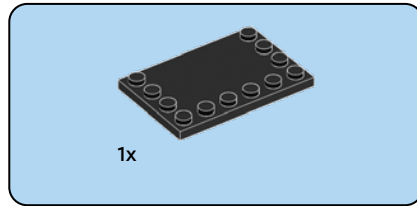
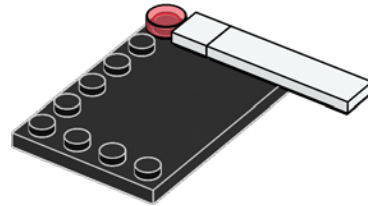




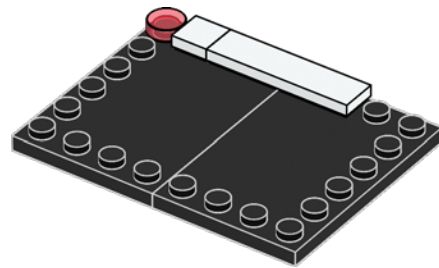
7

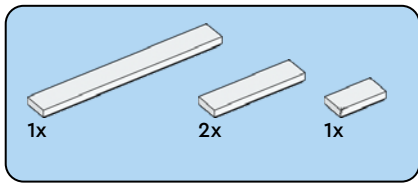


8

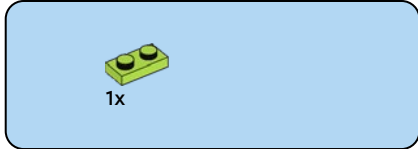
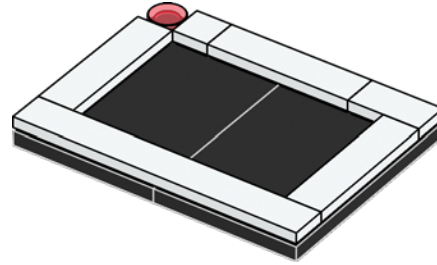


9

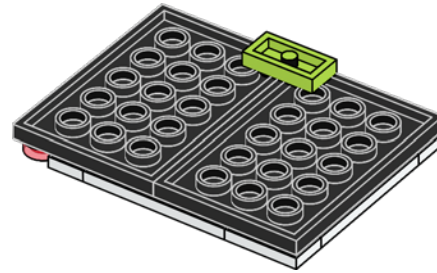


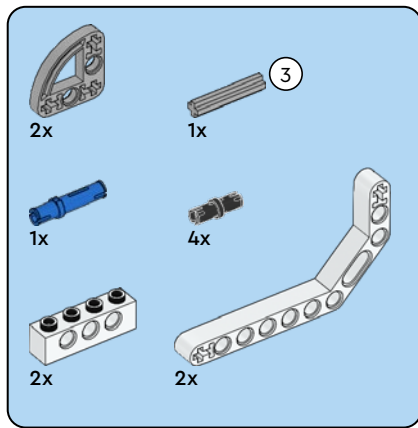


10

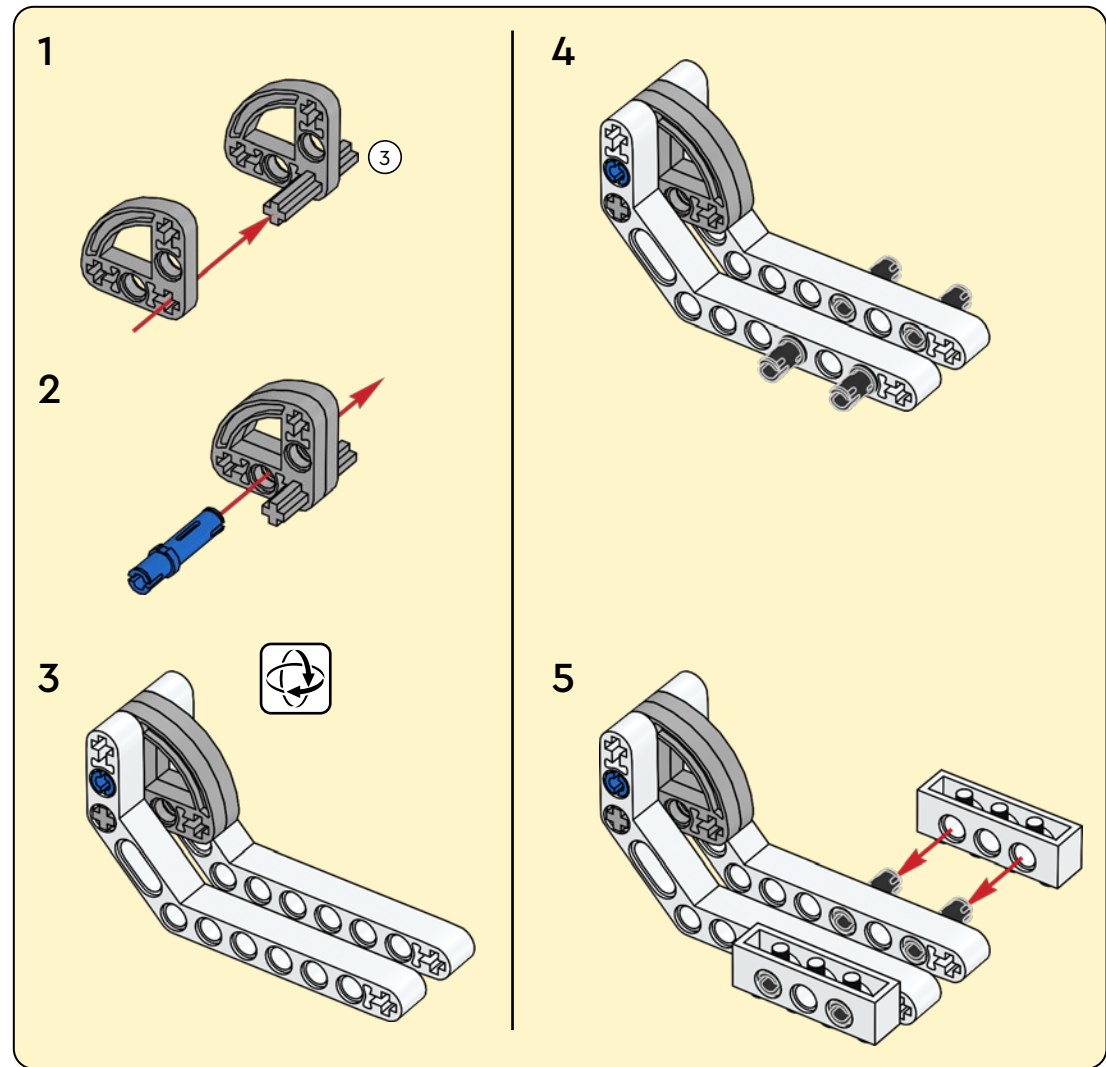
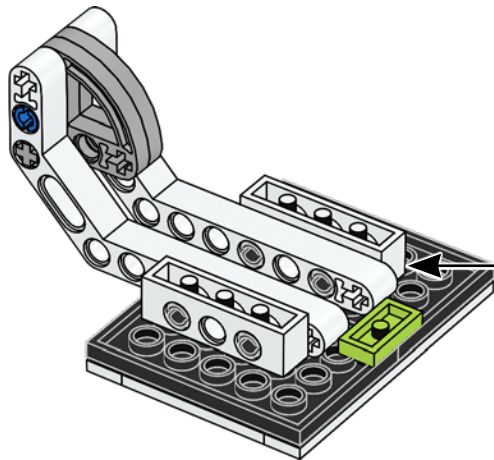


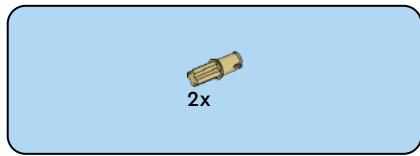
11



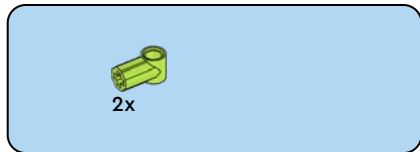
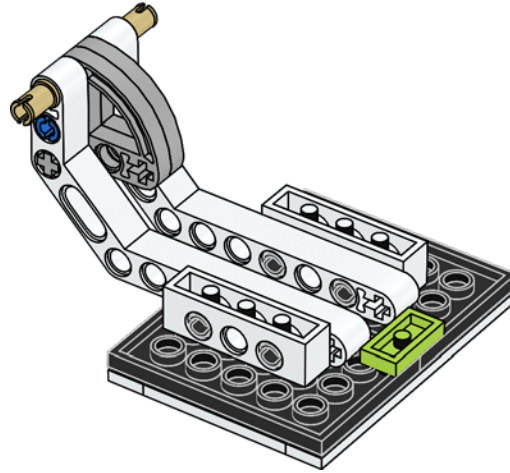


12

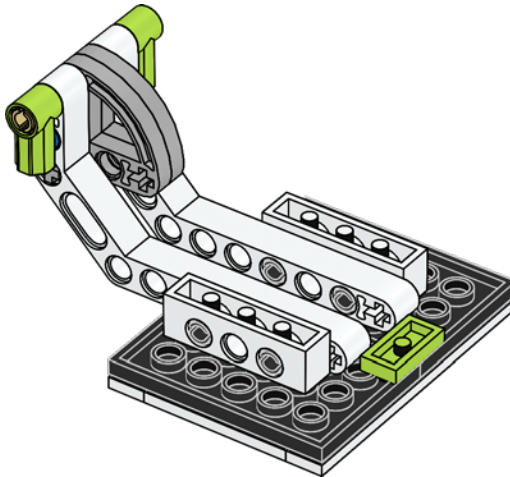


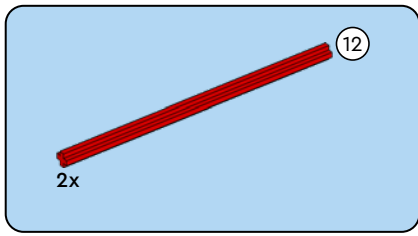


13

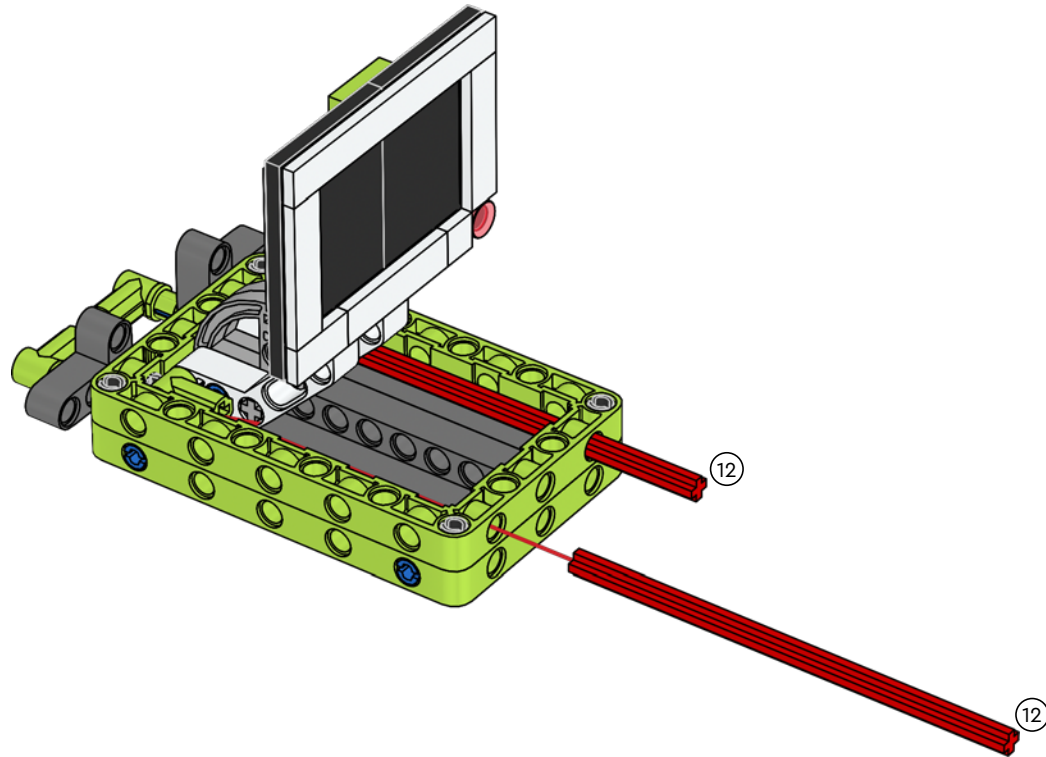


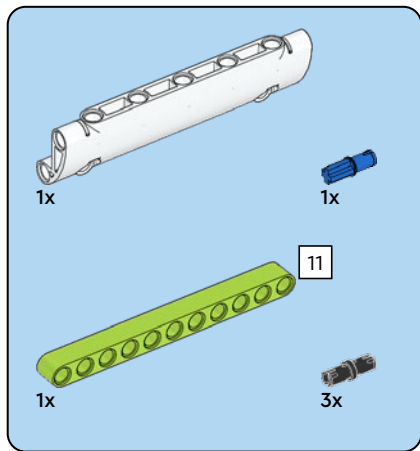
14



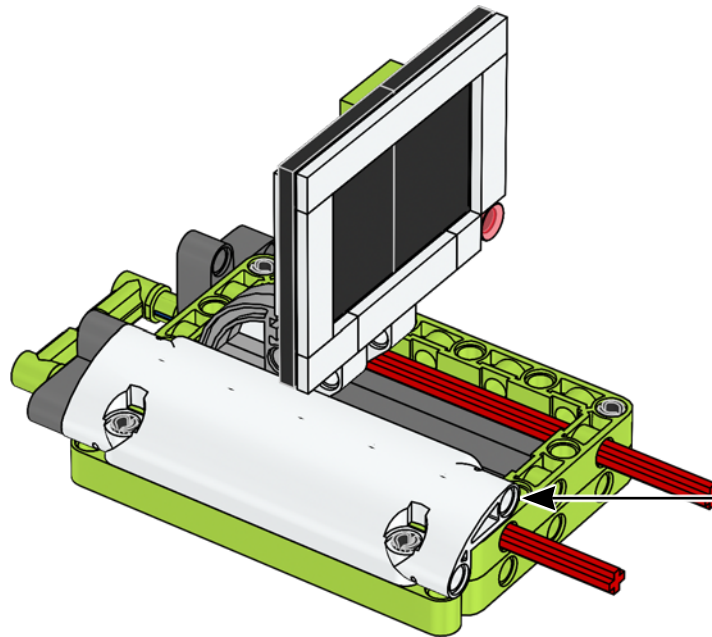
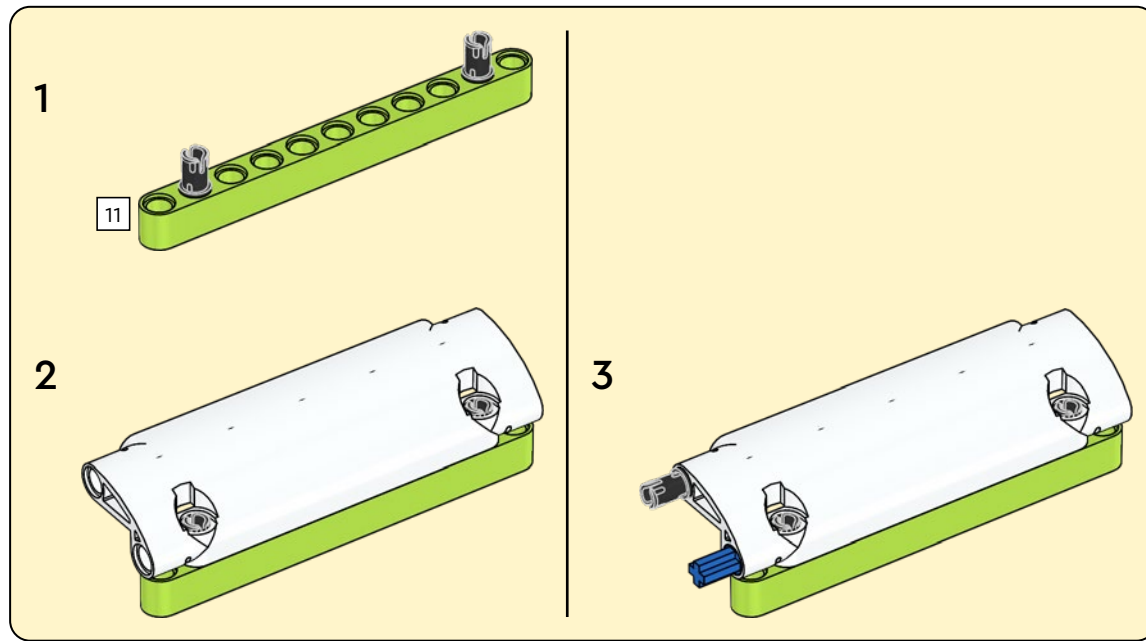


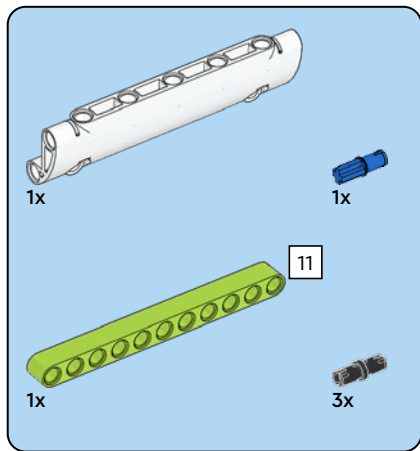
15



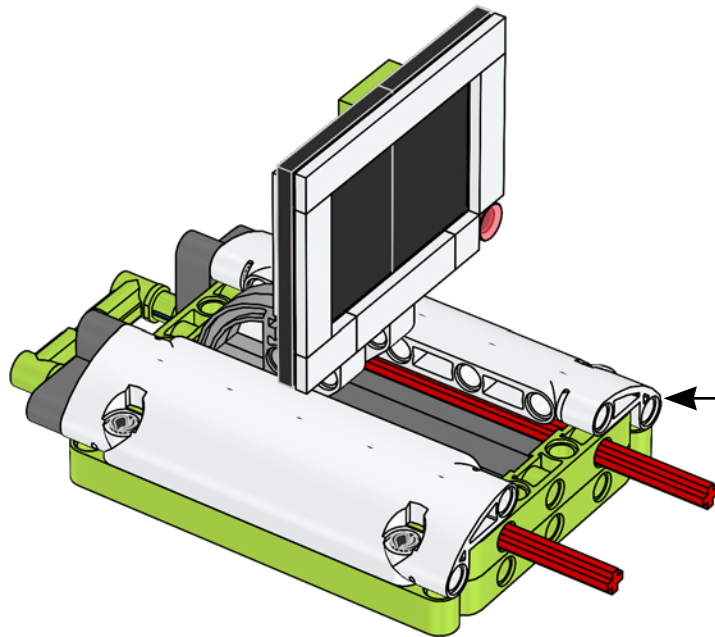
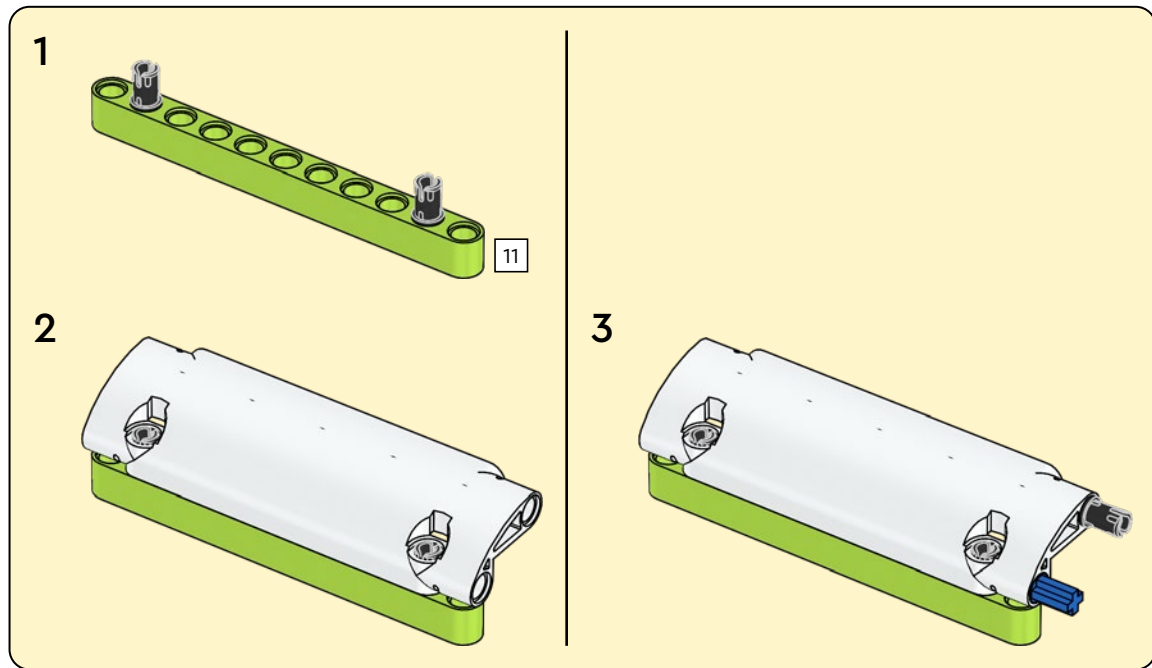


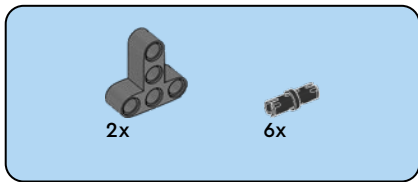
16



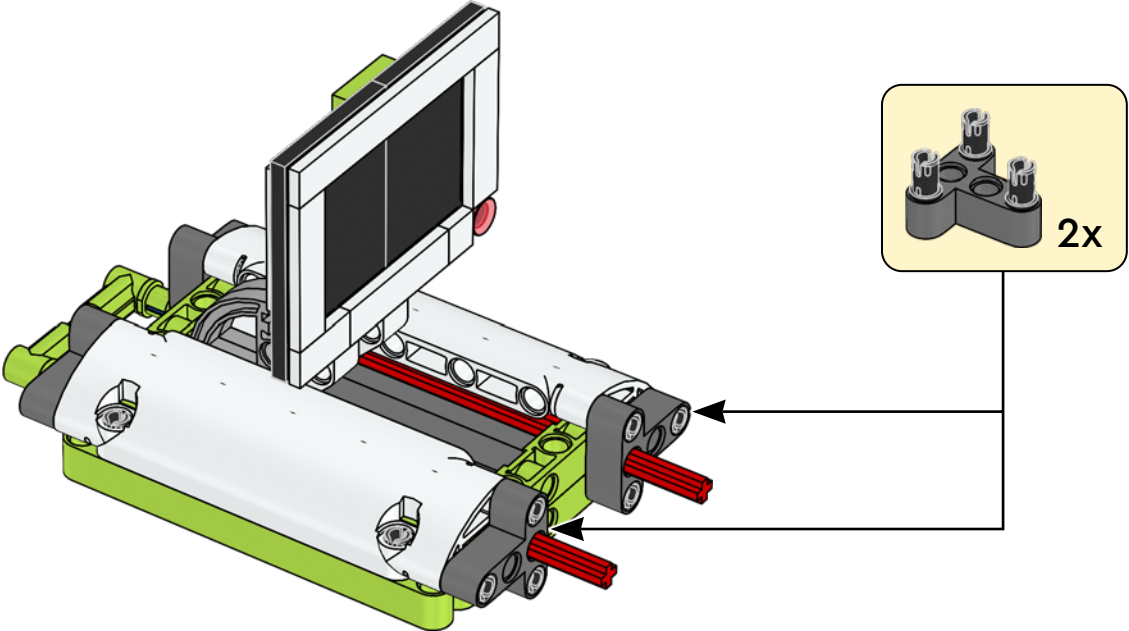


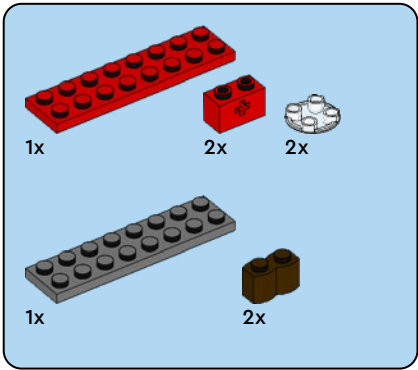
17



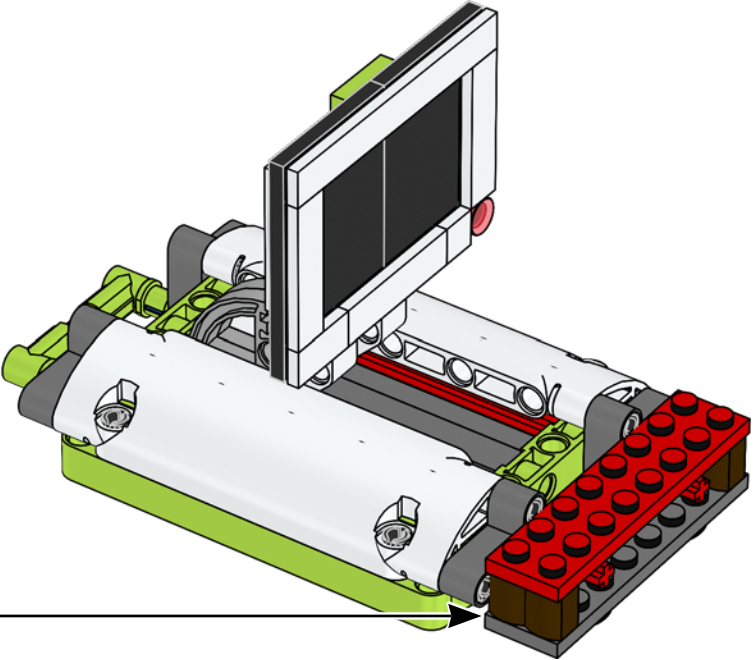
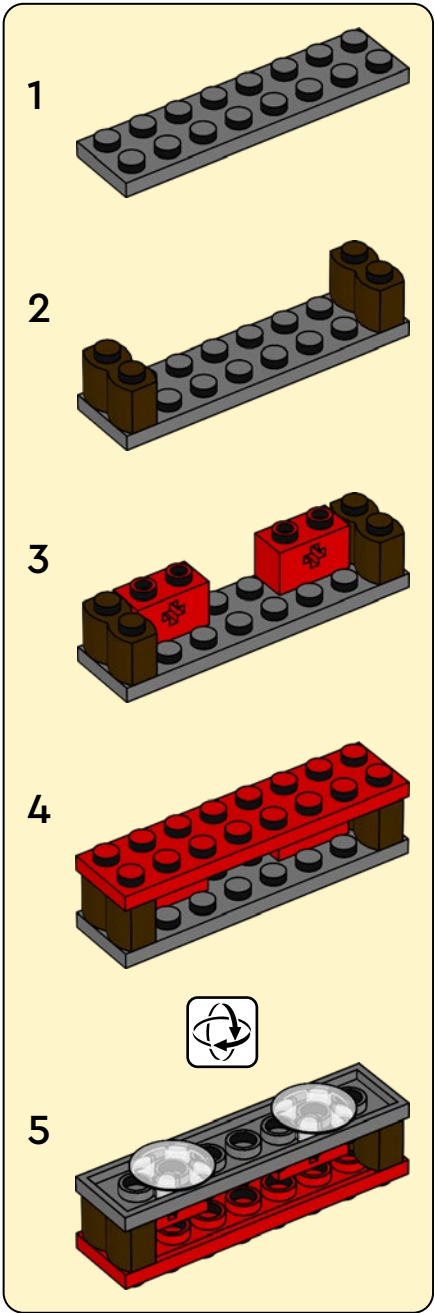


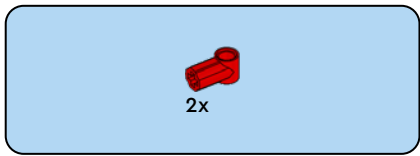
18



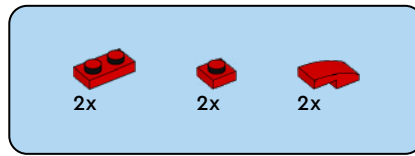
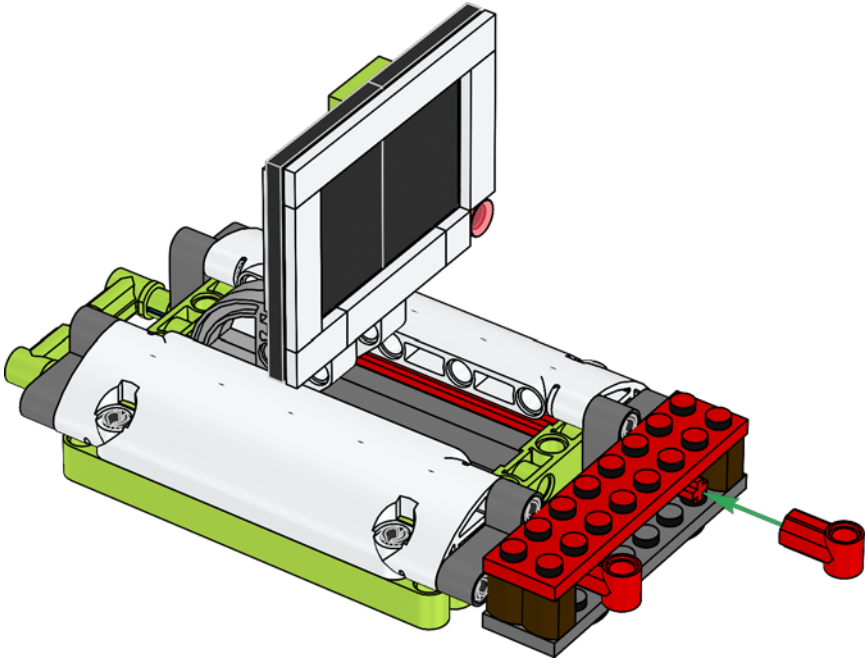


19

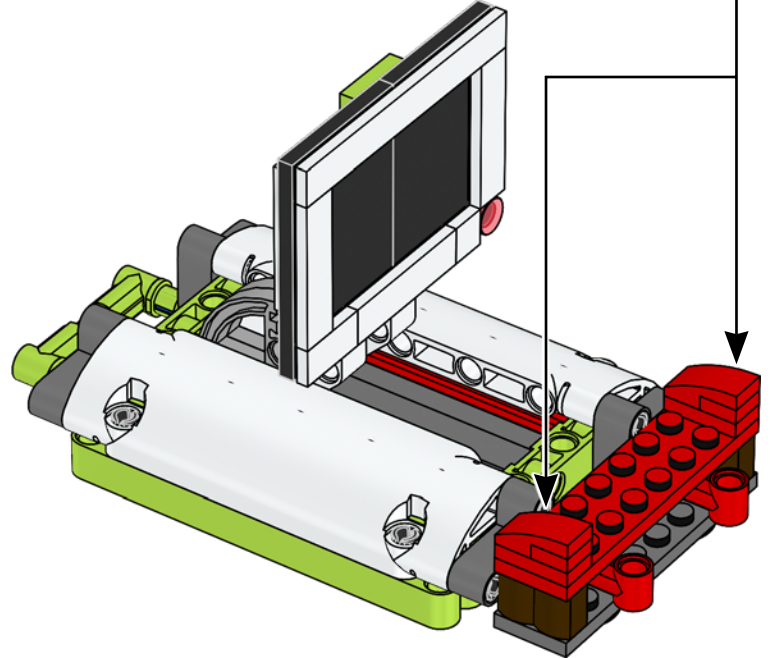
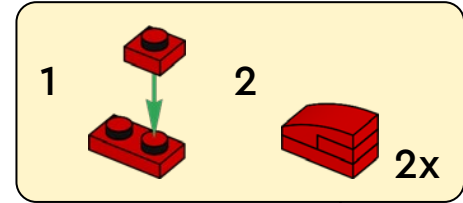


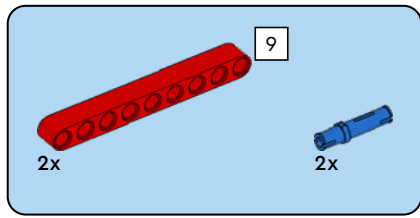


20

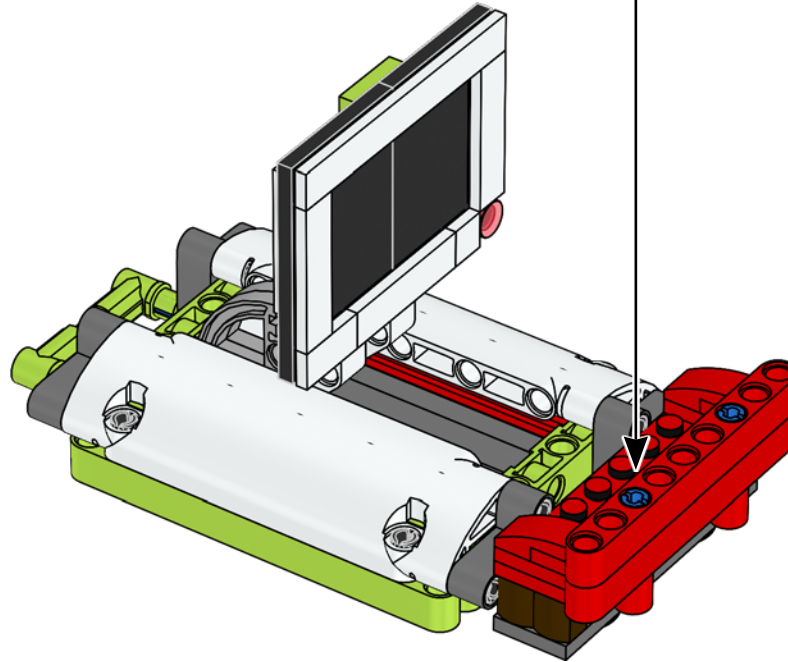
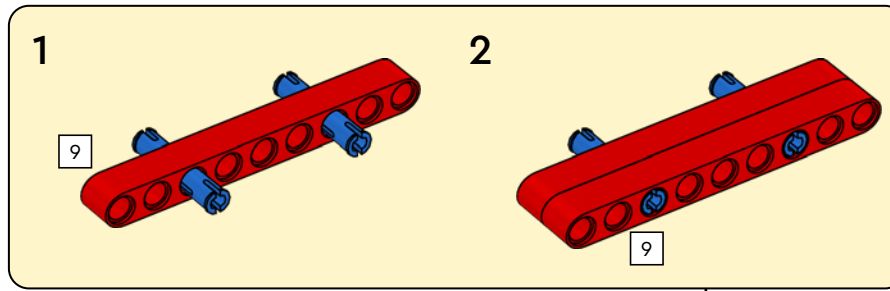


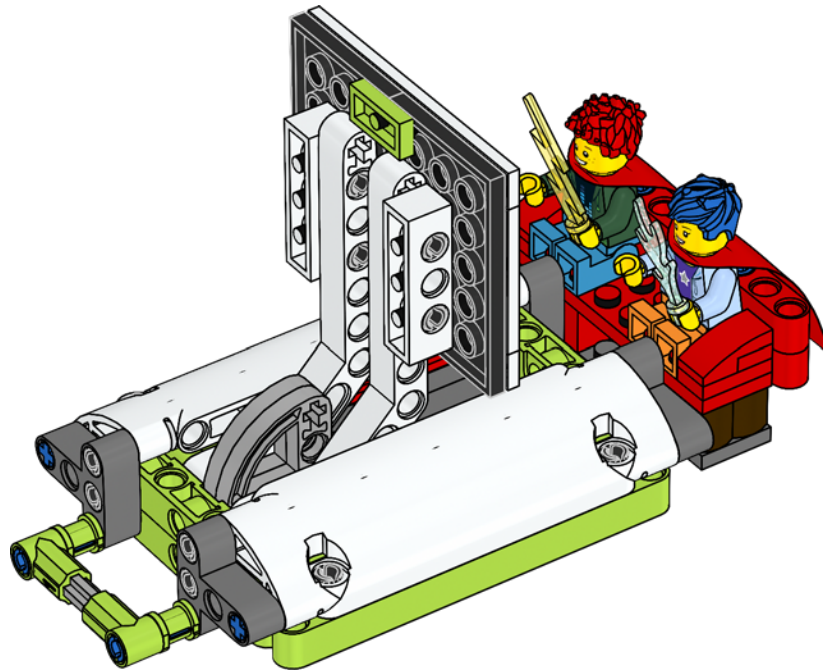
21





22





LEGO and the LEGO logo are trademarks of the/sont des marques de commerce du/son marcas registradas de LEGO Group. ©2022 The LEGO Group.

FIRST™ is a registered trademark of For Inspiration and Recognition of Science and Technology (FIRST). LEGO® is a registered trademark of the LEGO Group. FIRST™ LEGO® League and SUPERPOWERED™ are jointly held trademarks of FIRST and the LEGO Group.

©2022 FIRST and the LEGO Group. All rights reserved.