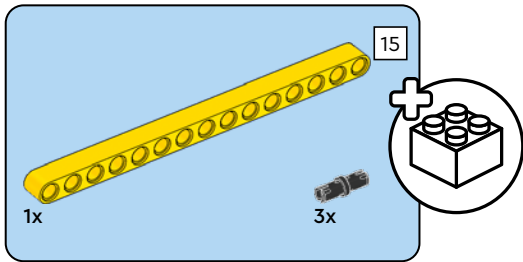
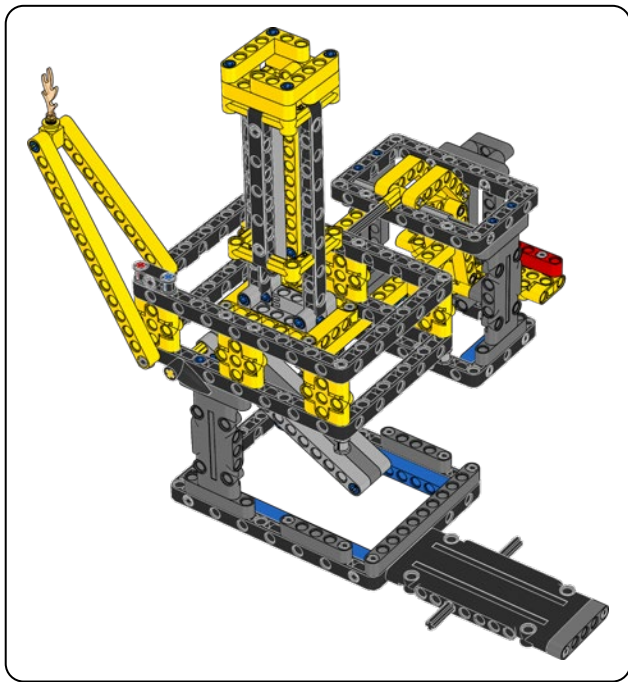
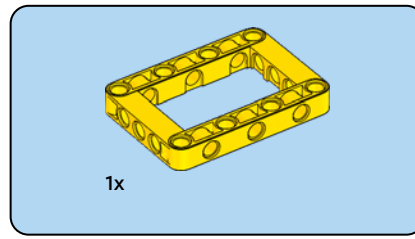
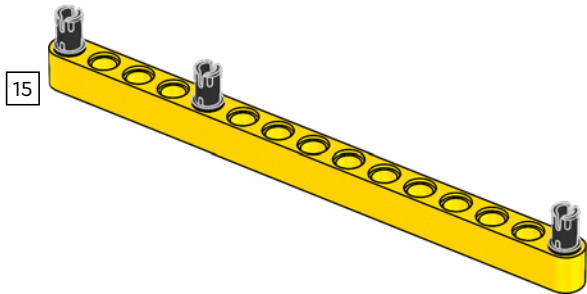


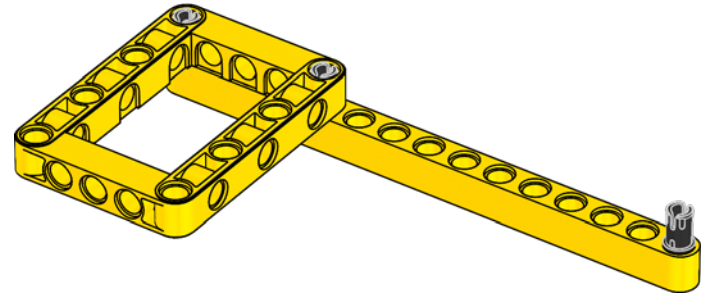
45820

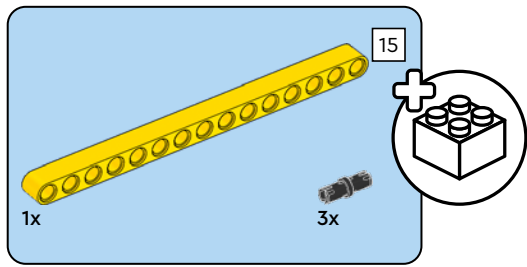


1

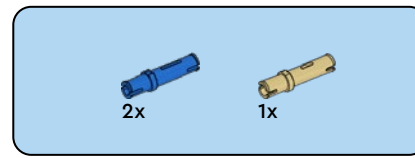
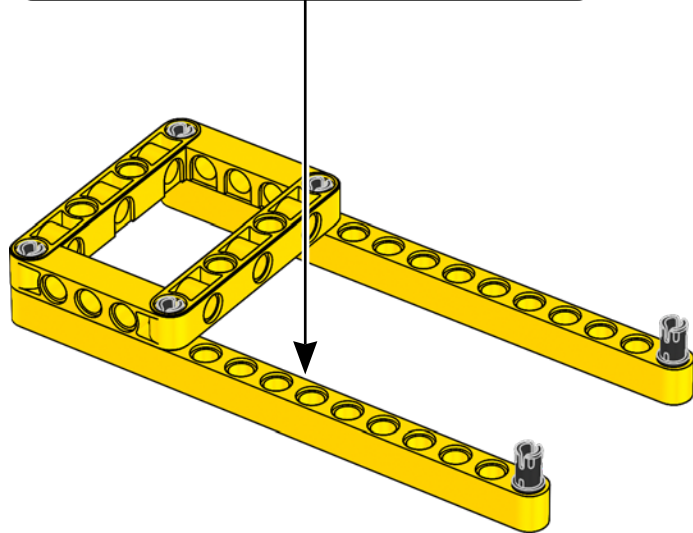
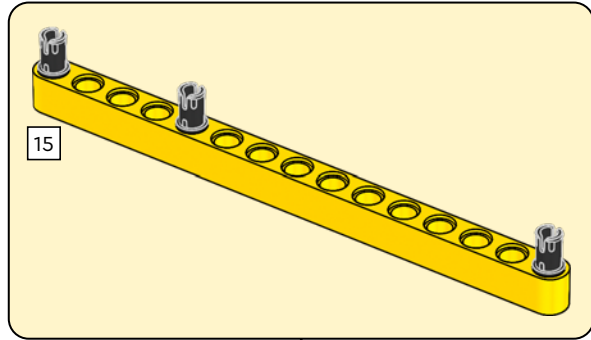


2

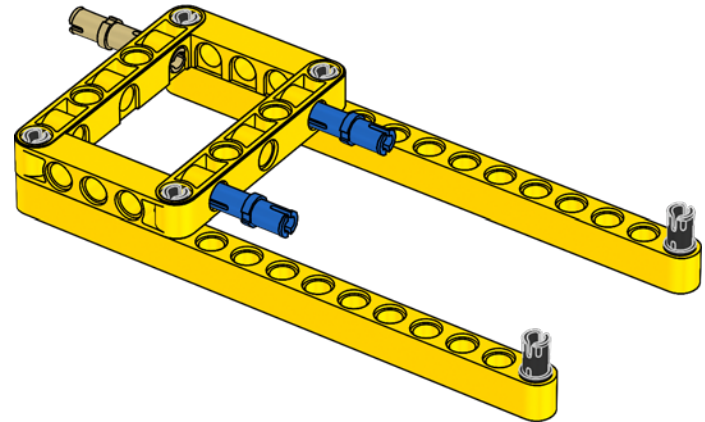


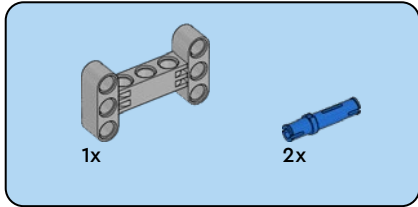
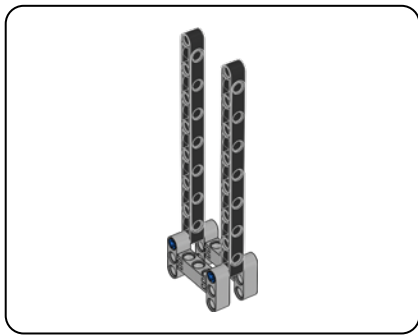


3

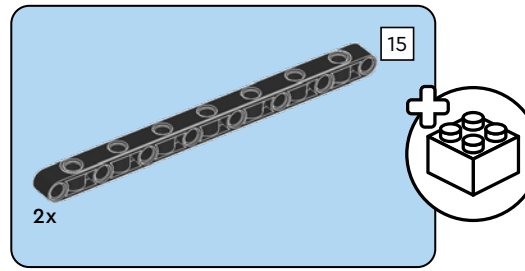
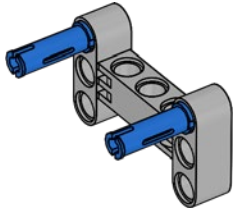


4

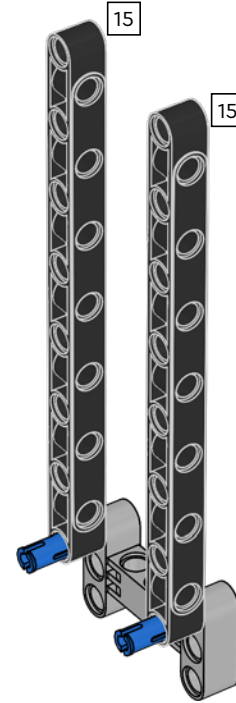


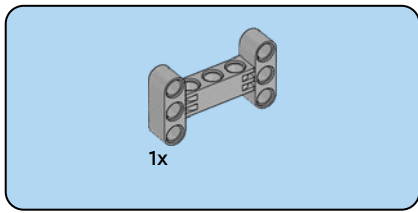


5

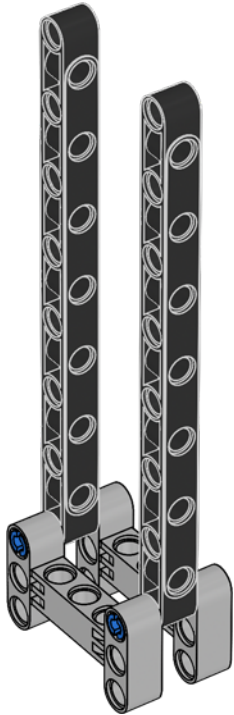


6

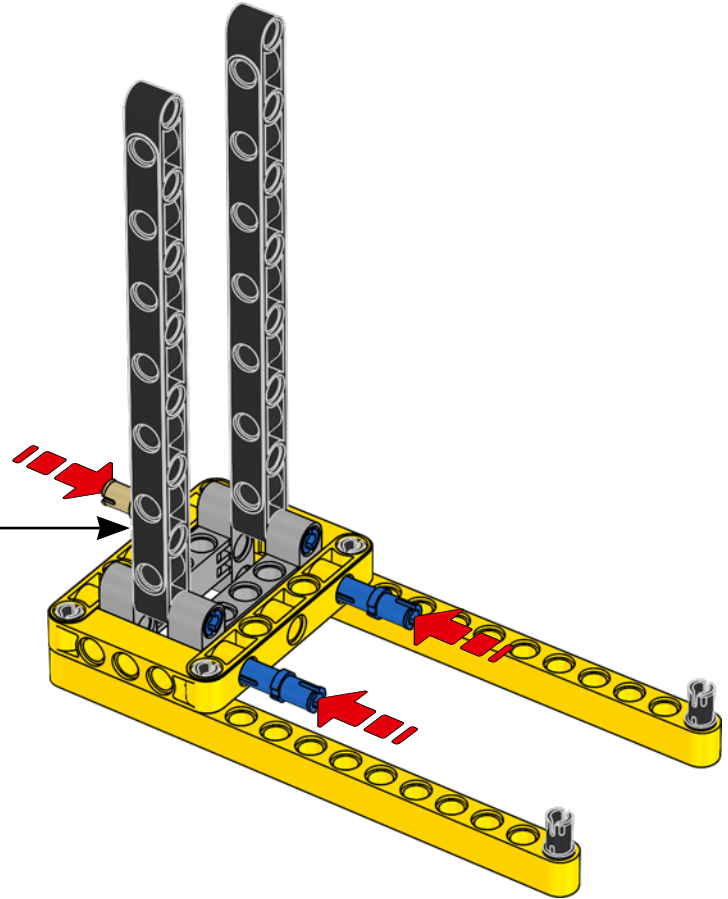


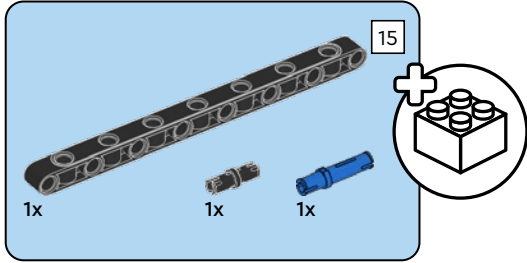
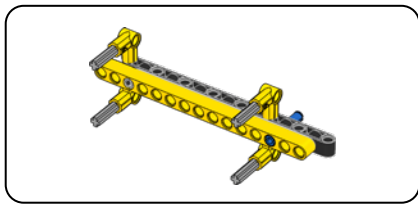


7

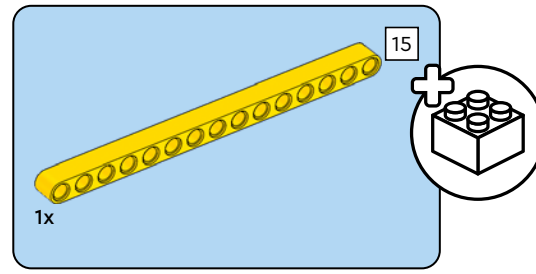
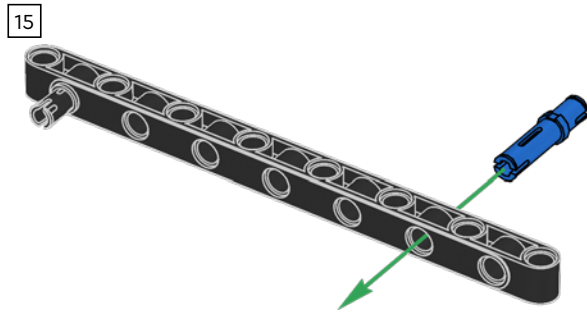


8

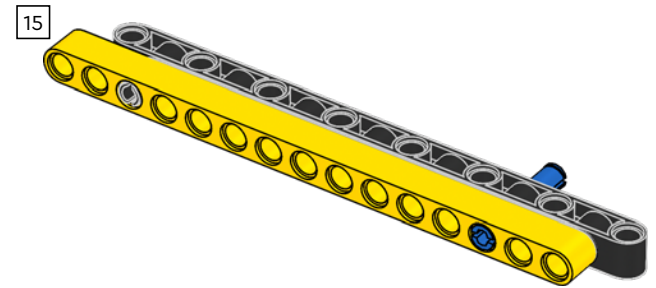


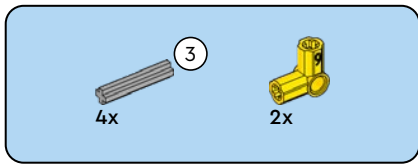


9

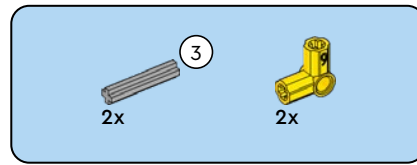
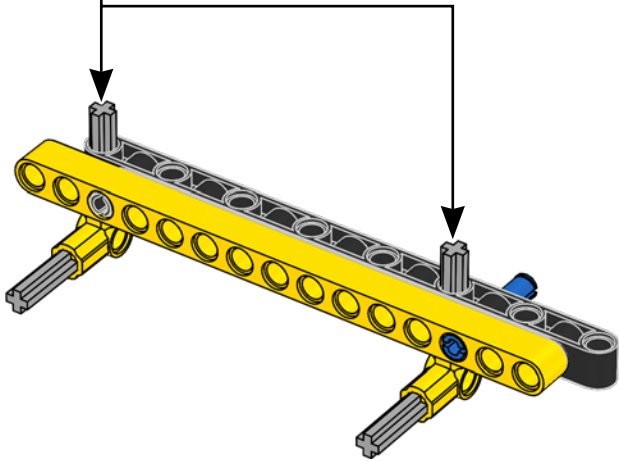
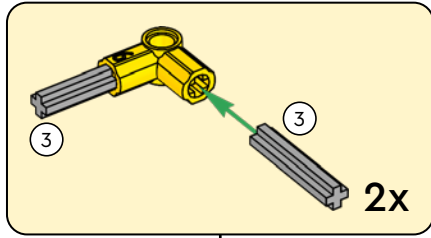


10

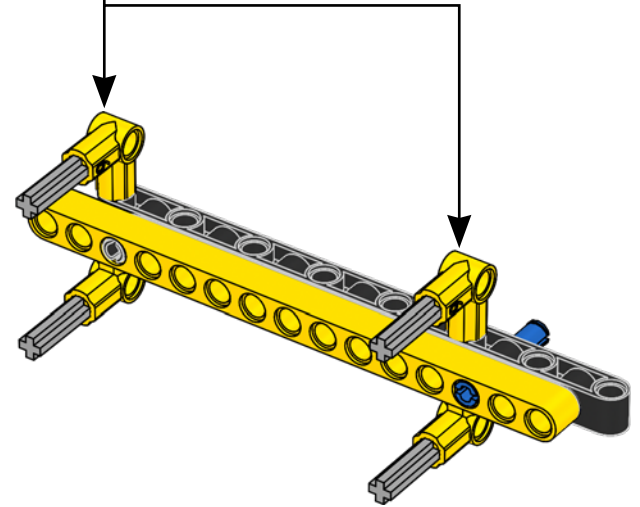
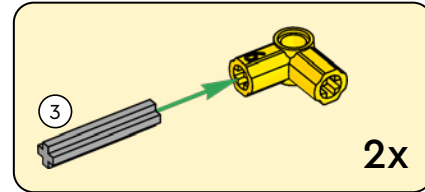




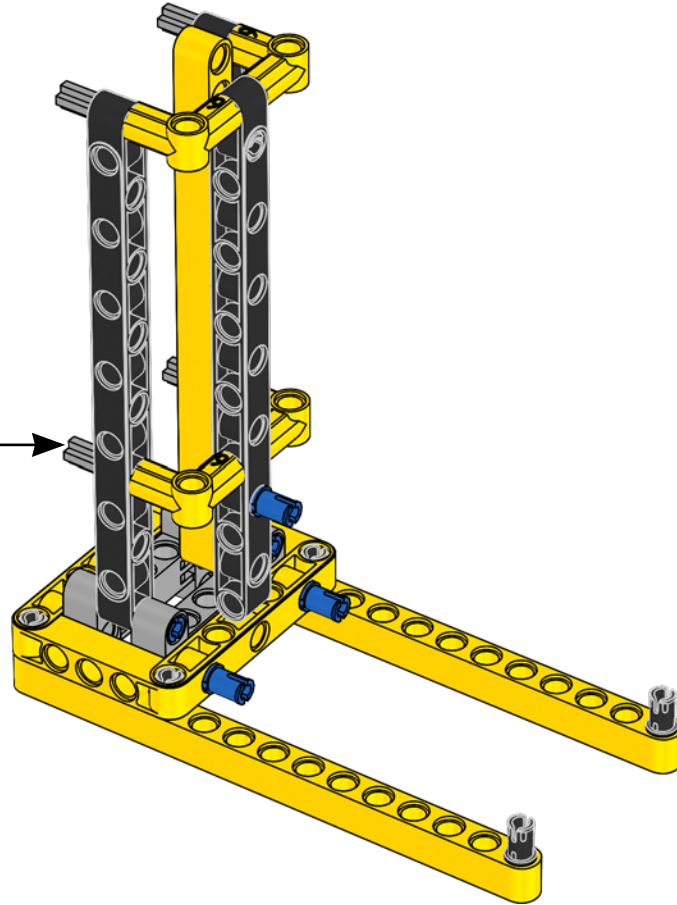
11

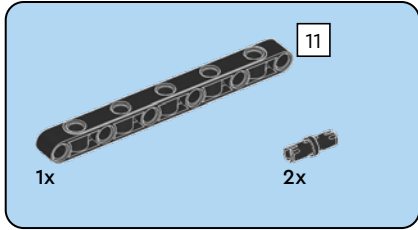
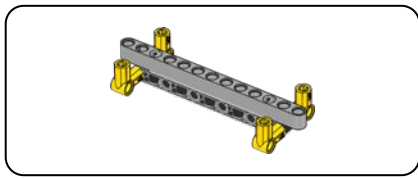


12

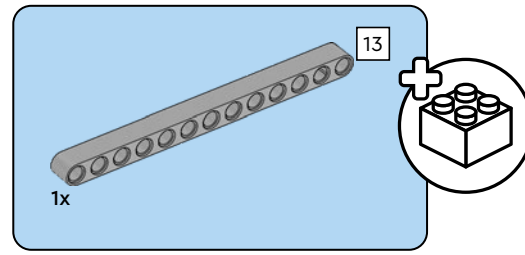
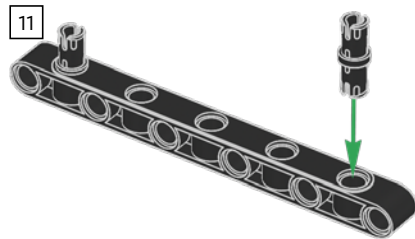


13

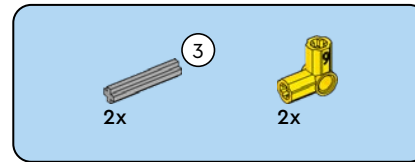
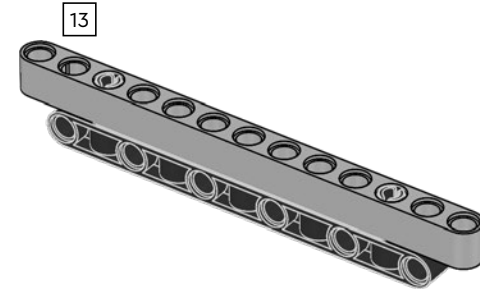




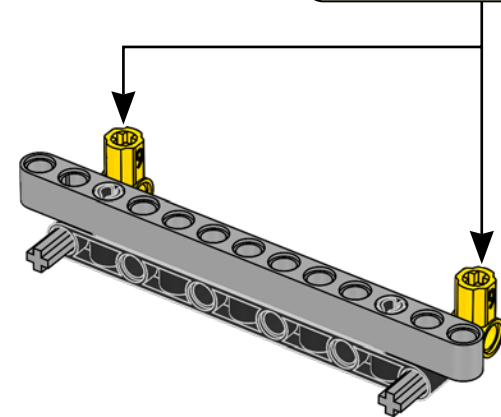
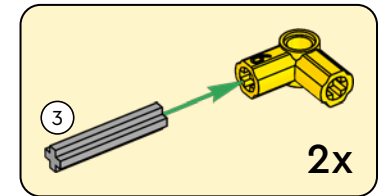
14



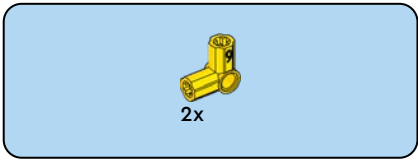
15



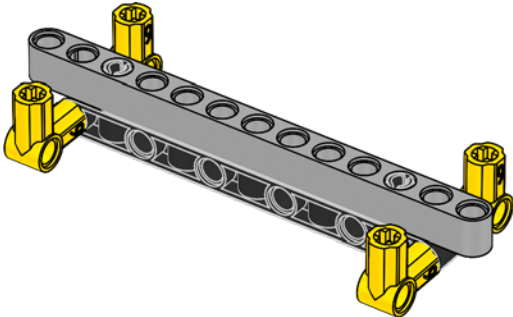
16



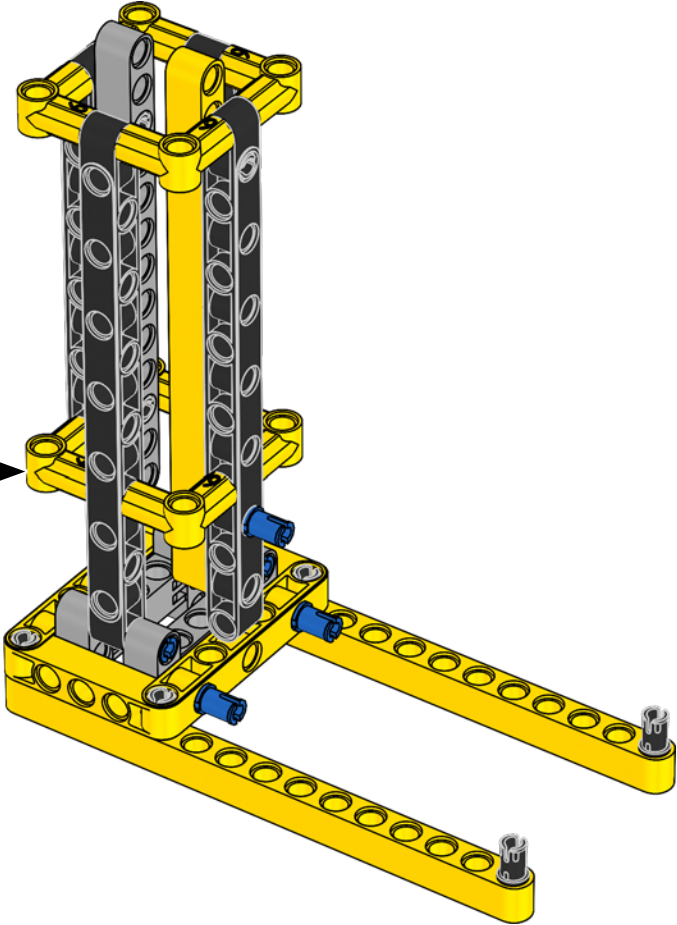
2

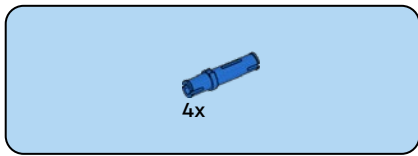


17

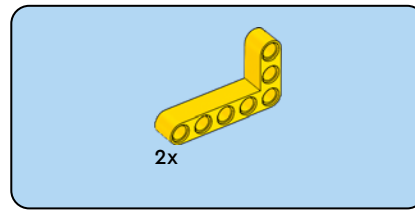
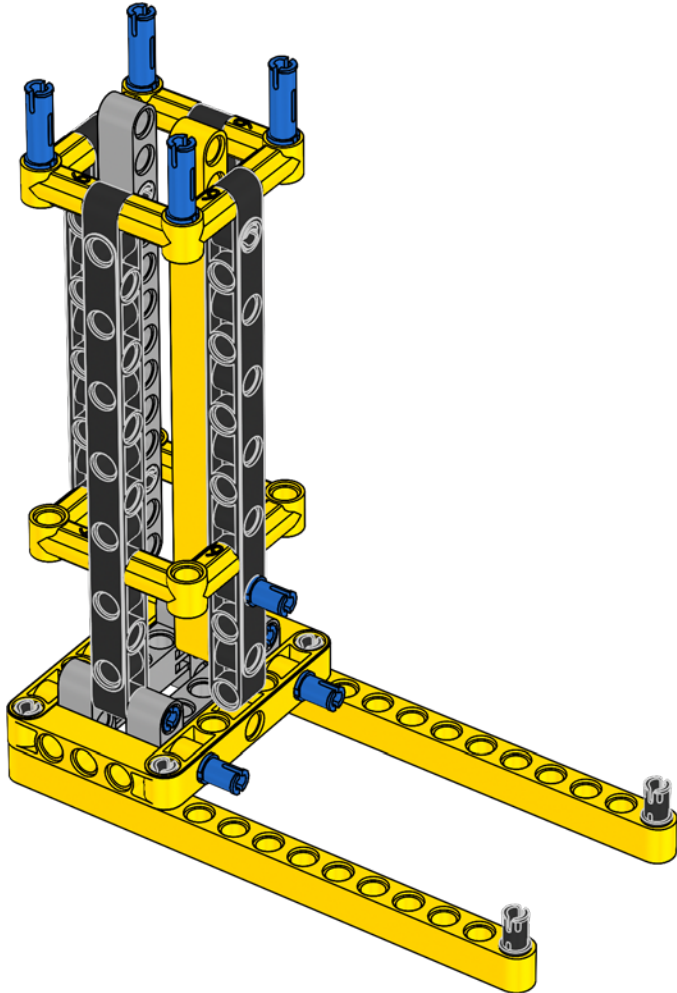


18

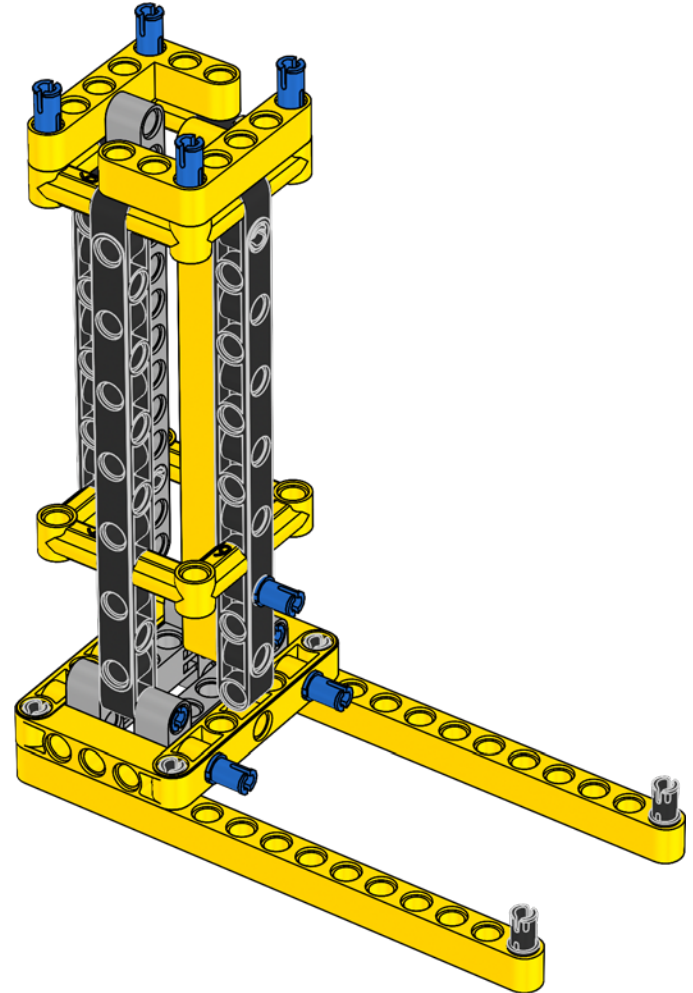


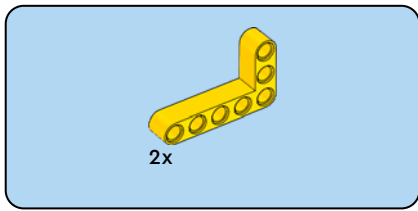


19

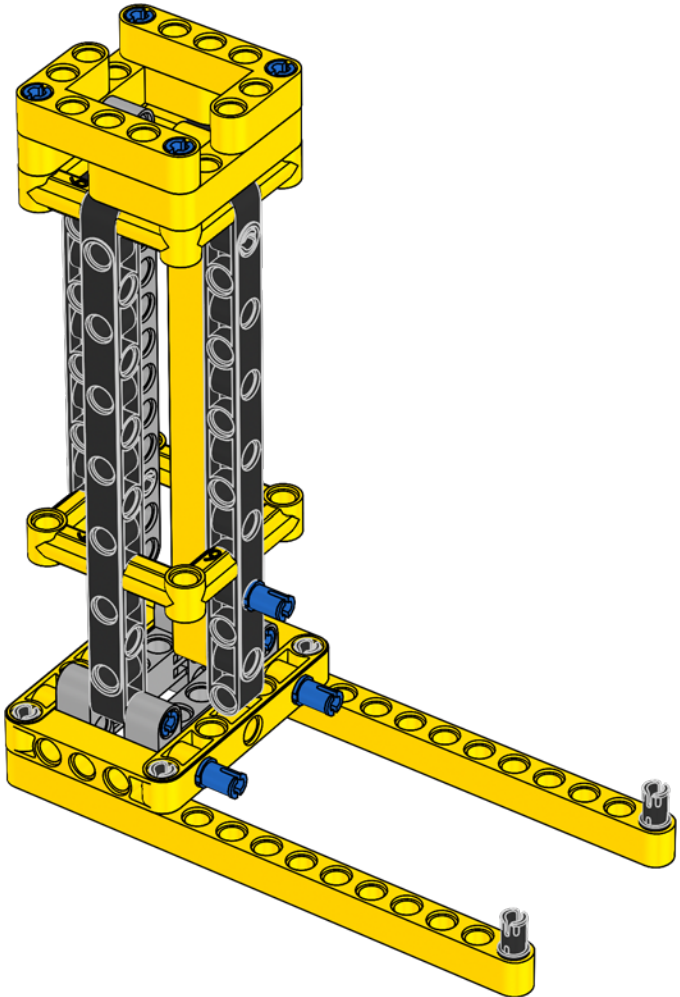


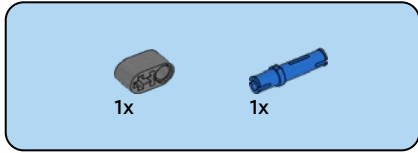
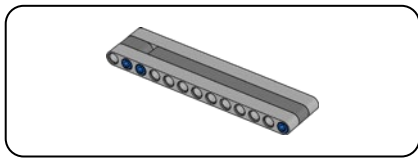
20



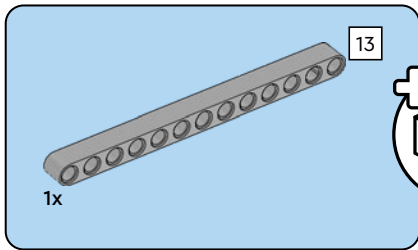
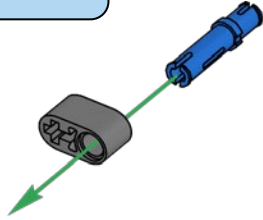


21

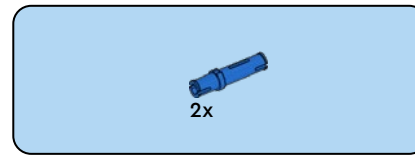
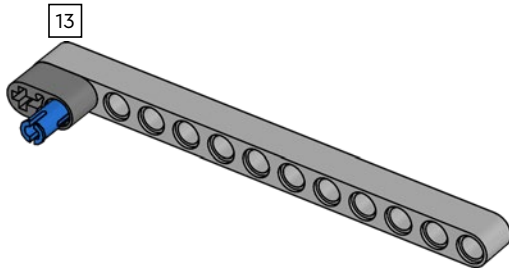




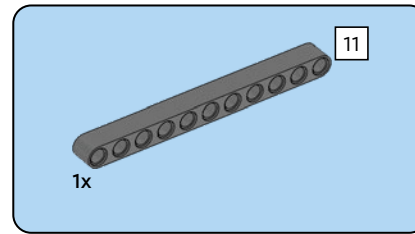
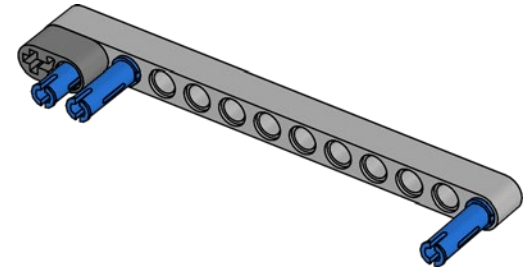
22



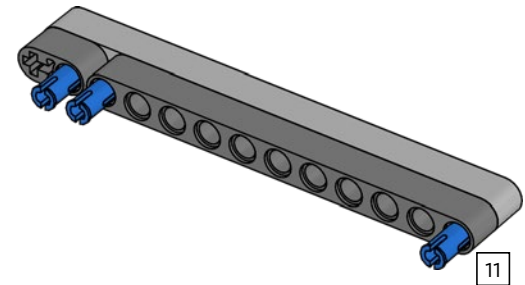
23

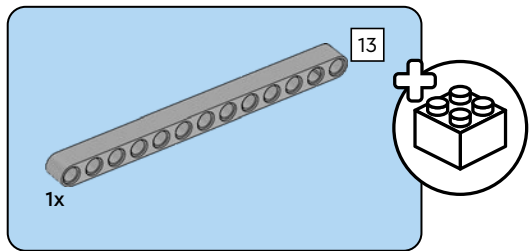


24

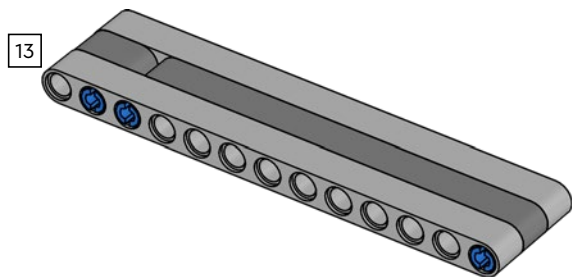


25

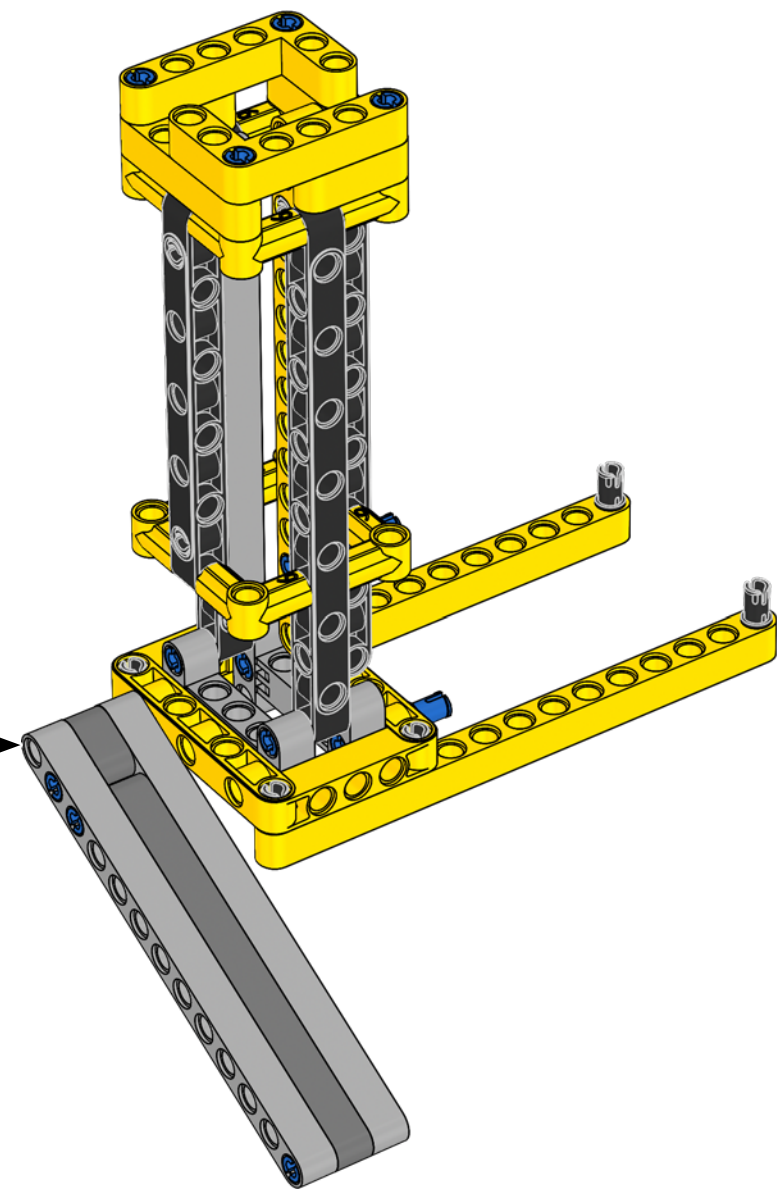


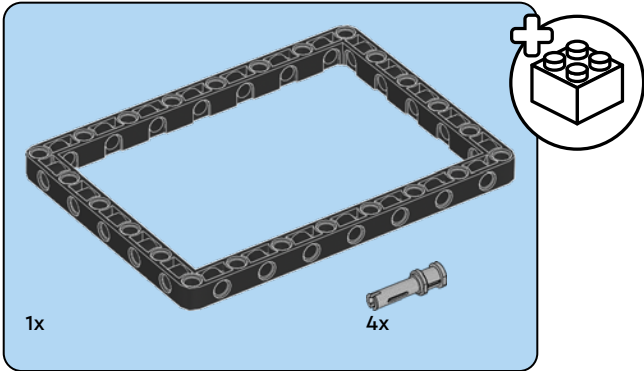
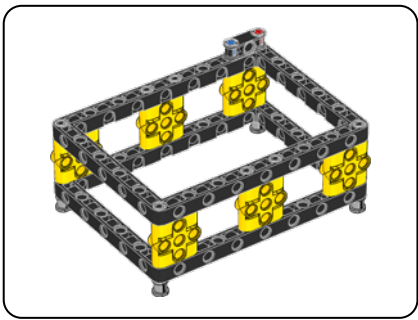


26

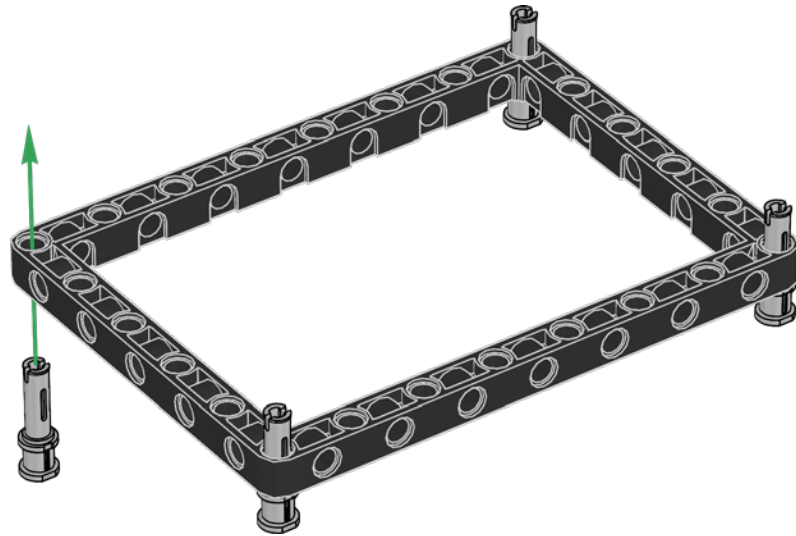


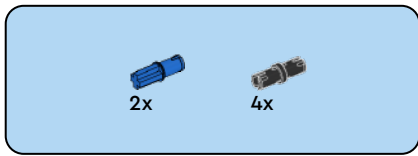
27



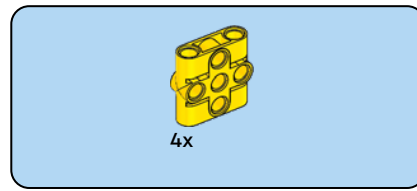
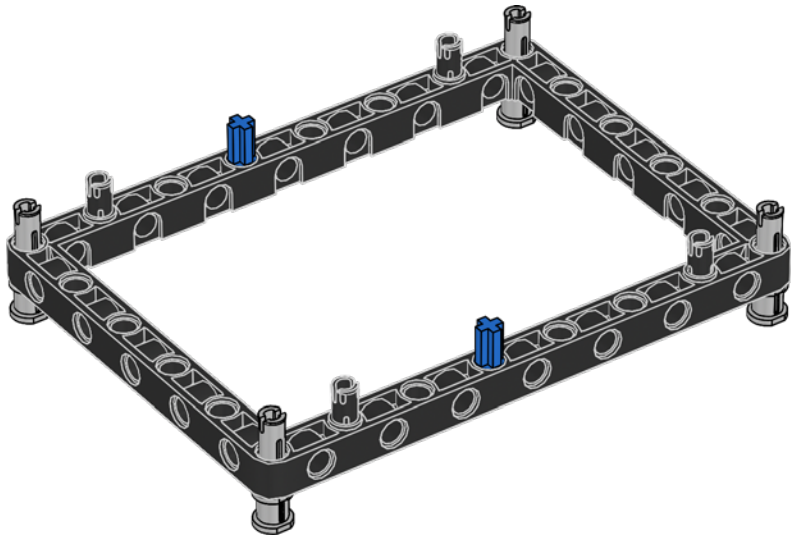


28

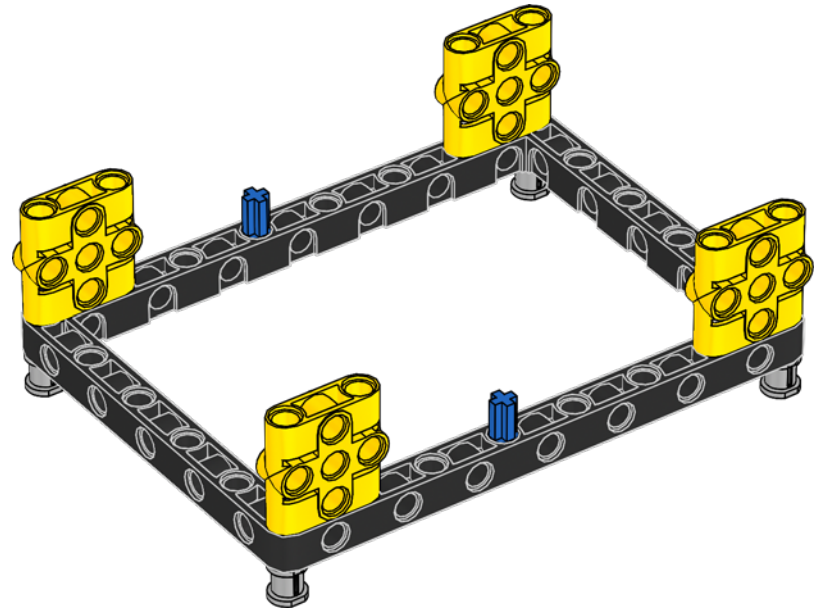


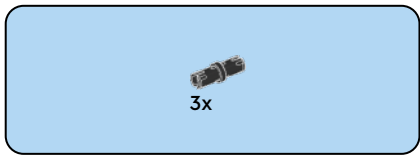


29

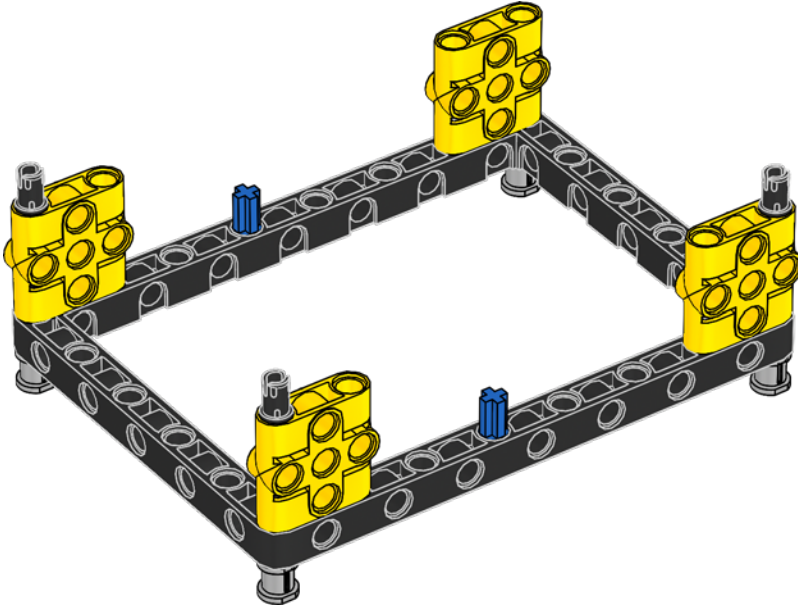


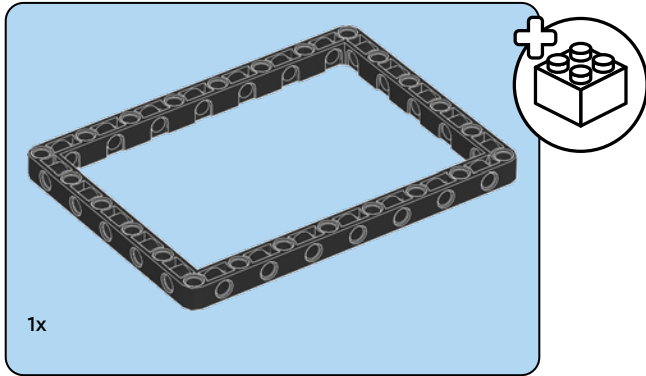
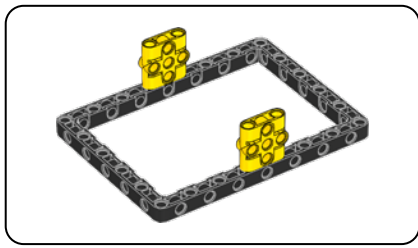
30



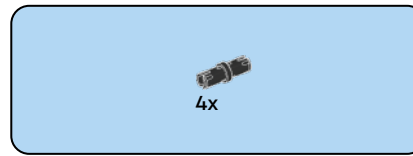
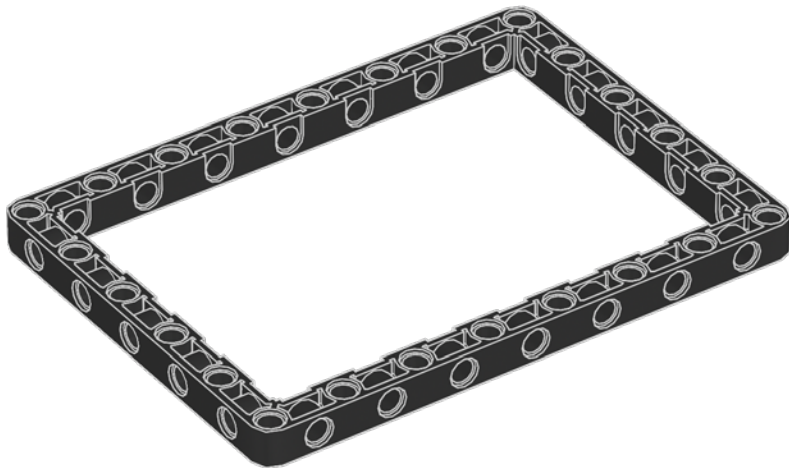


31

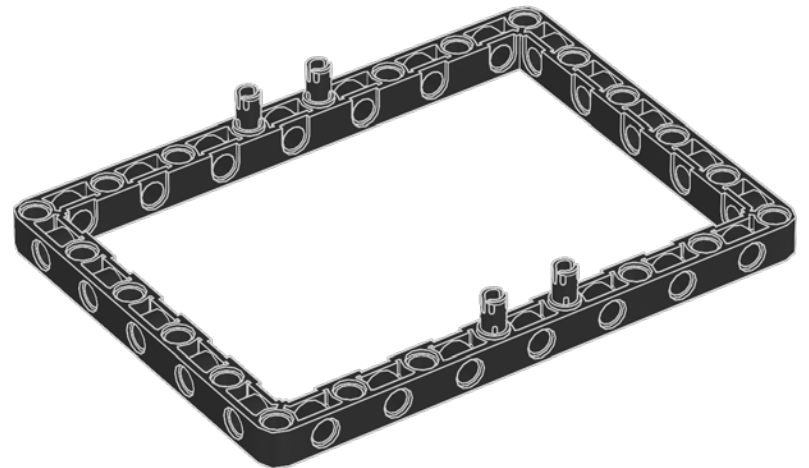


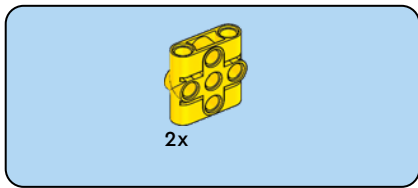


32

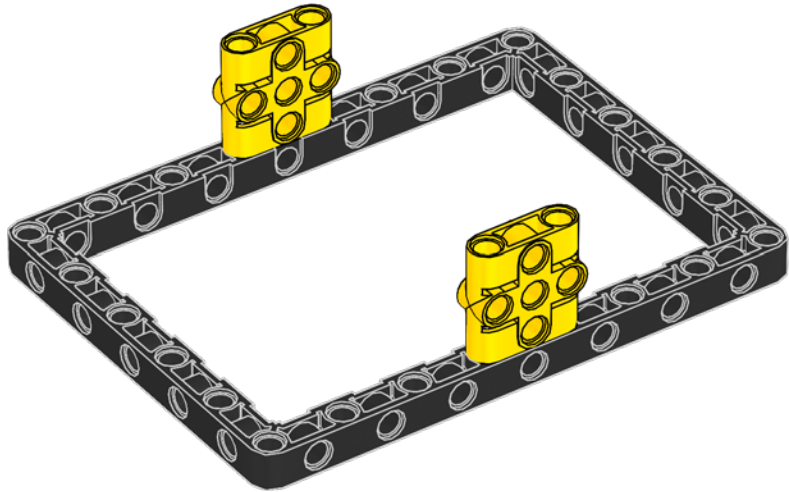


33

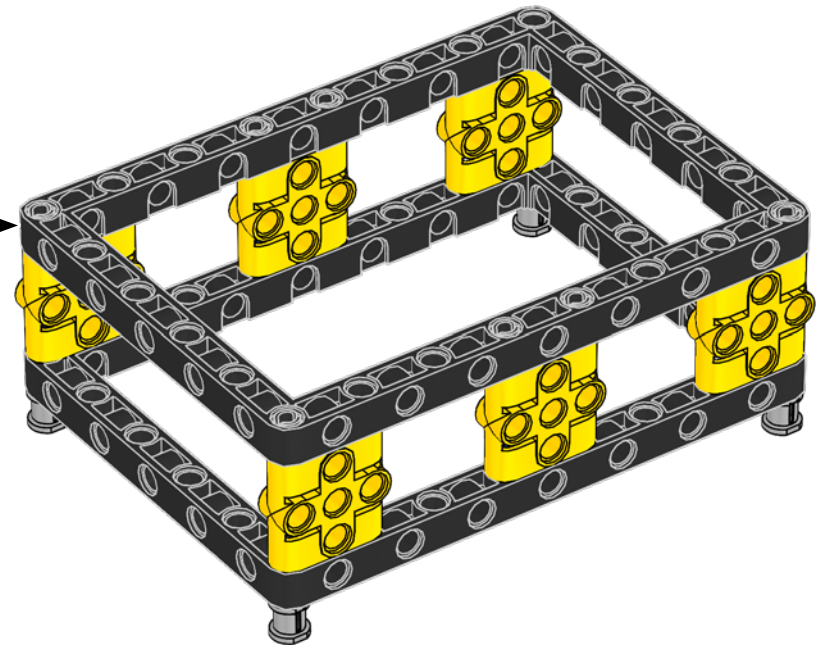


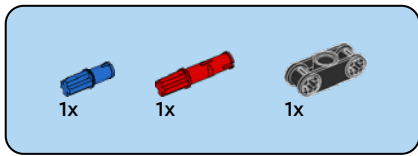


34

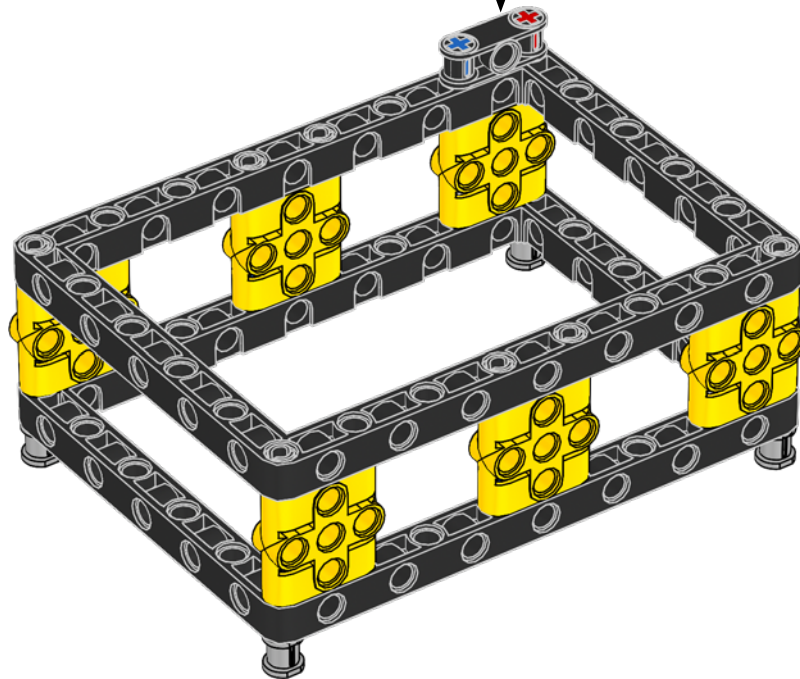
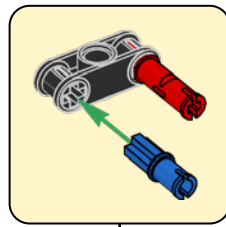


35

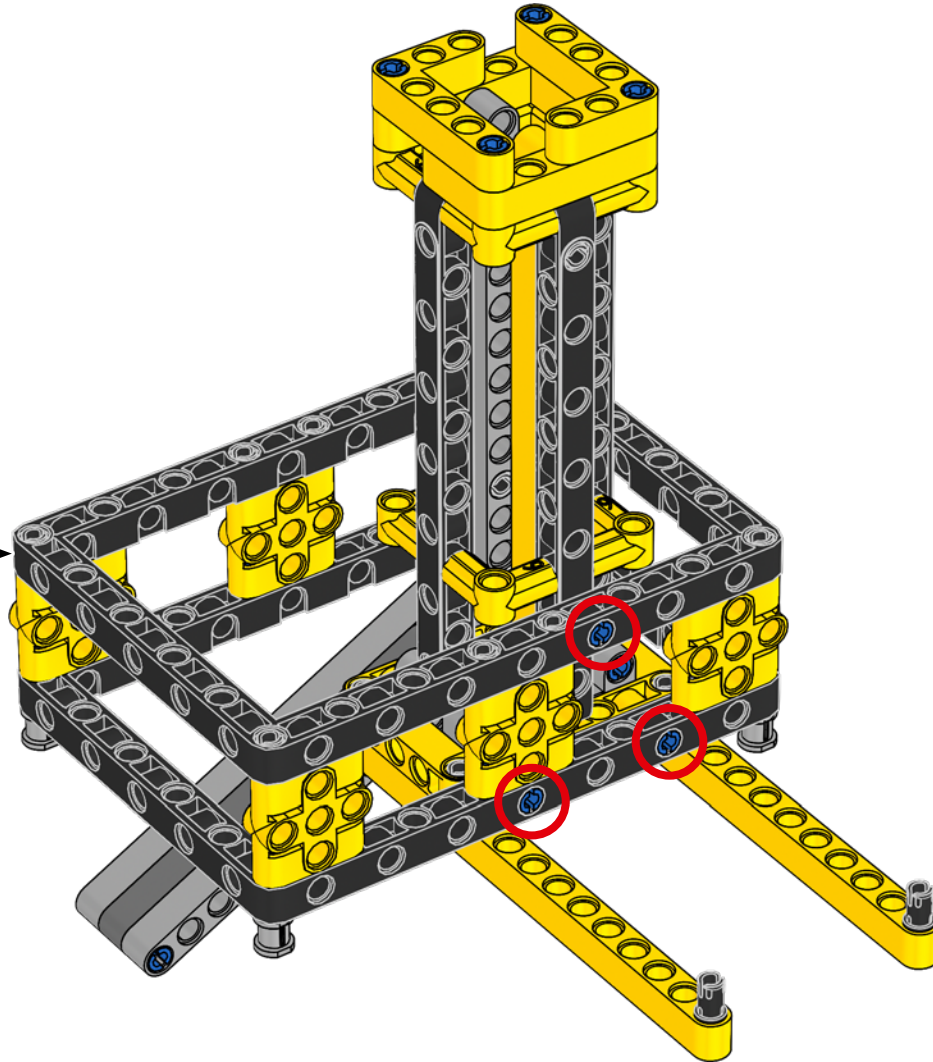


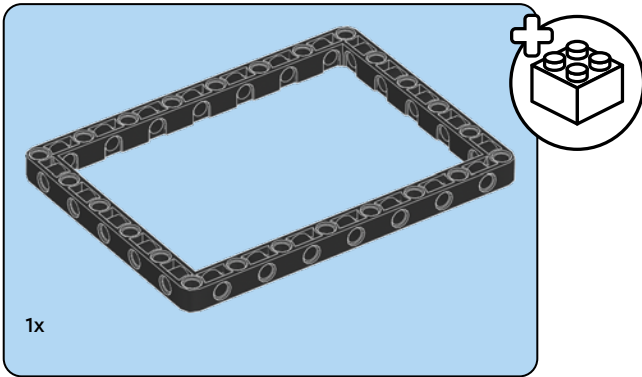
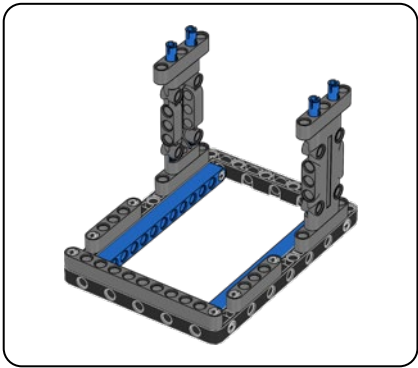


36

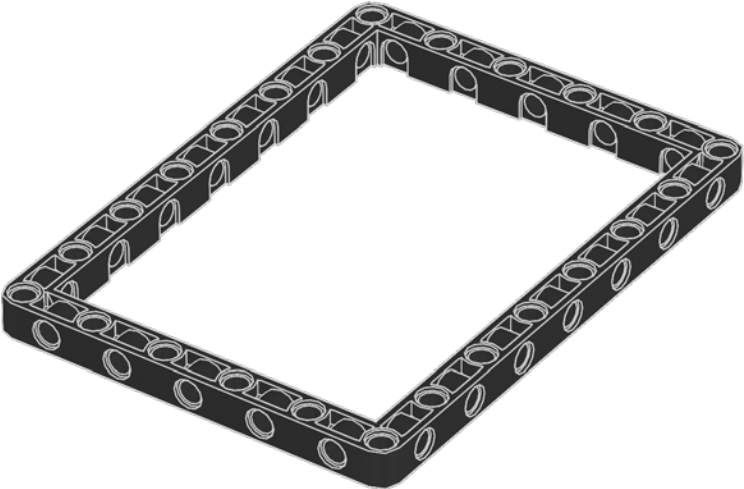


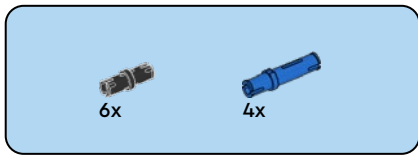
37



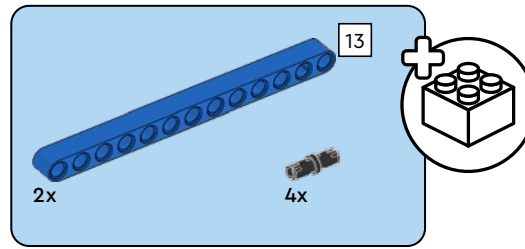
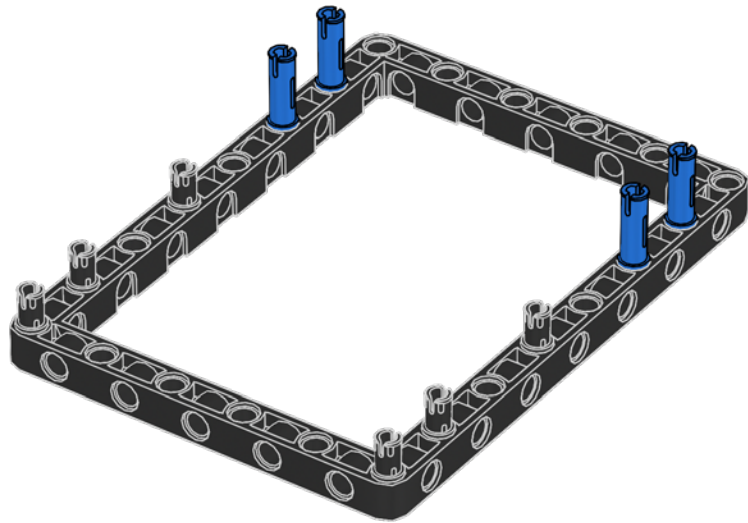


38

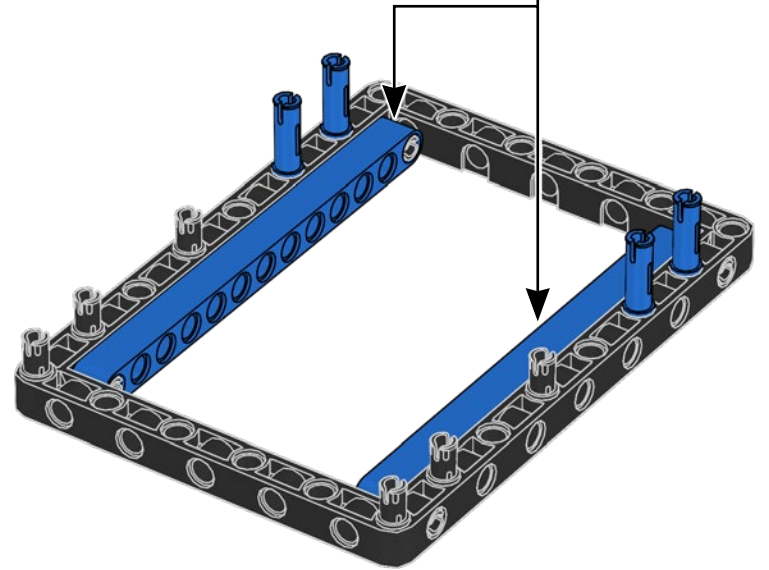
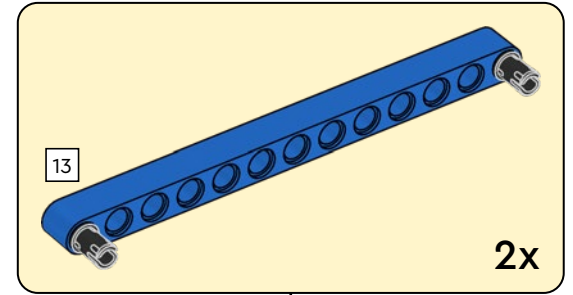


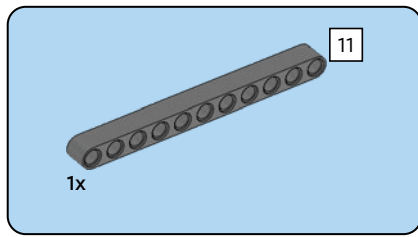


39

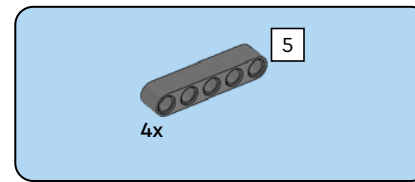
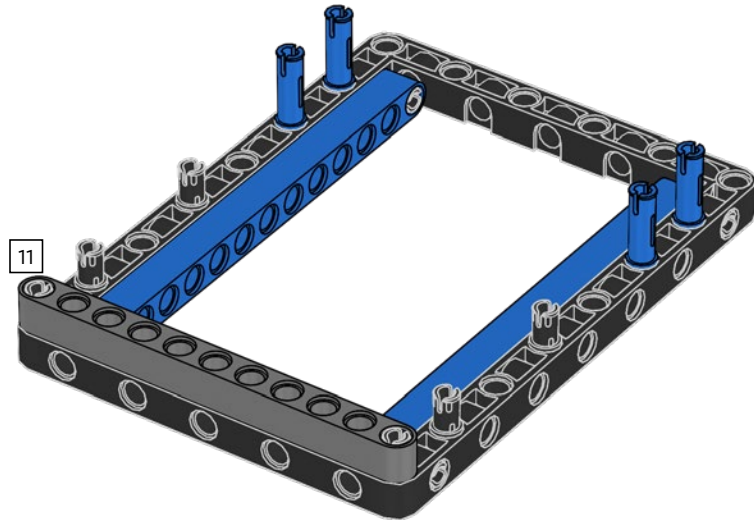


40

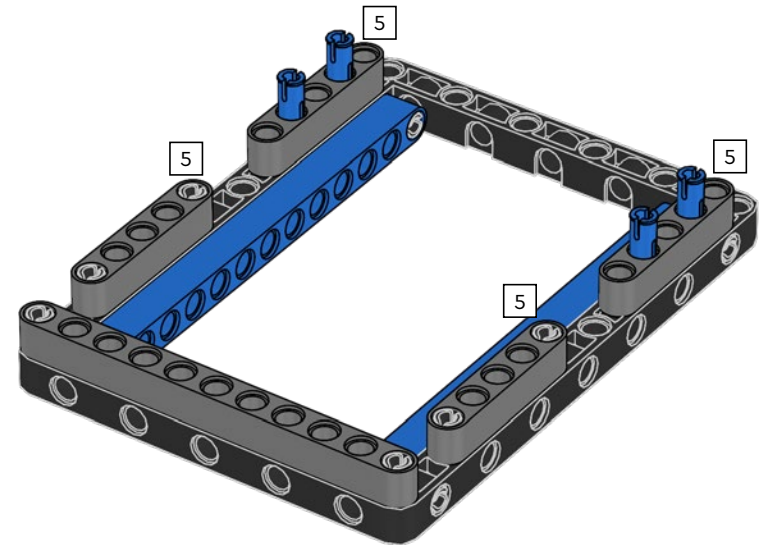


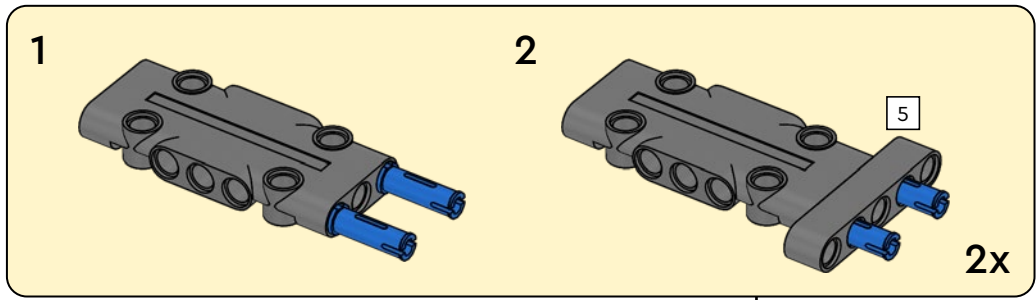
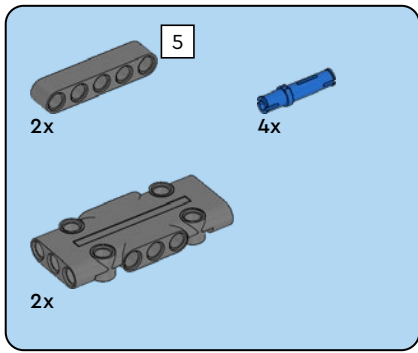


41

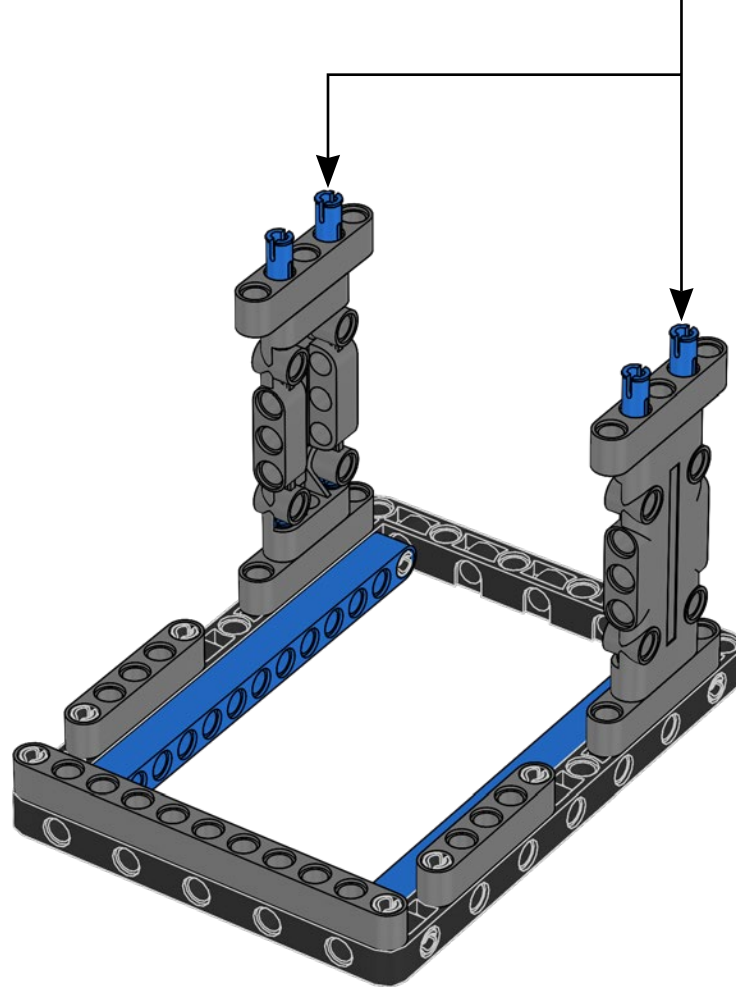


42

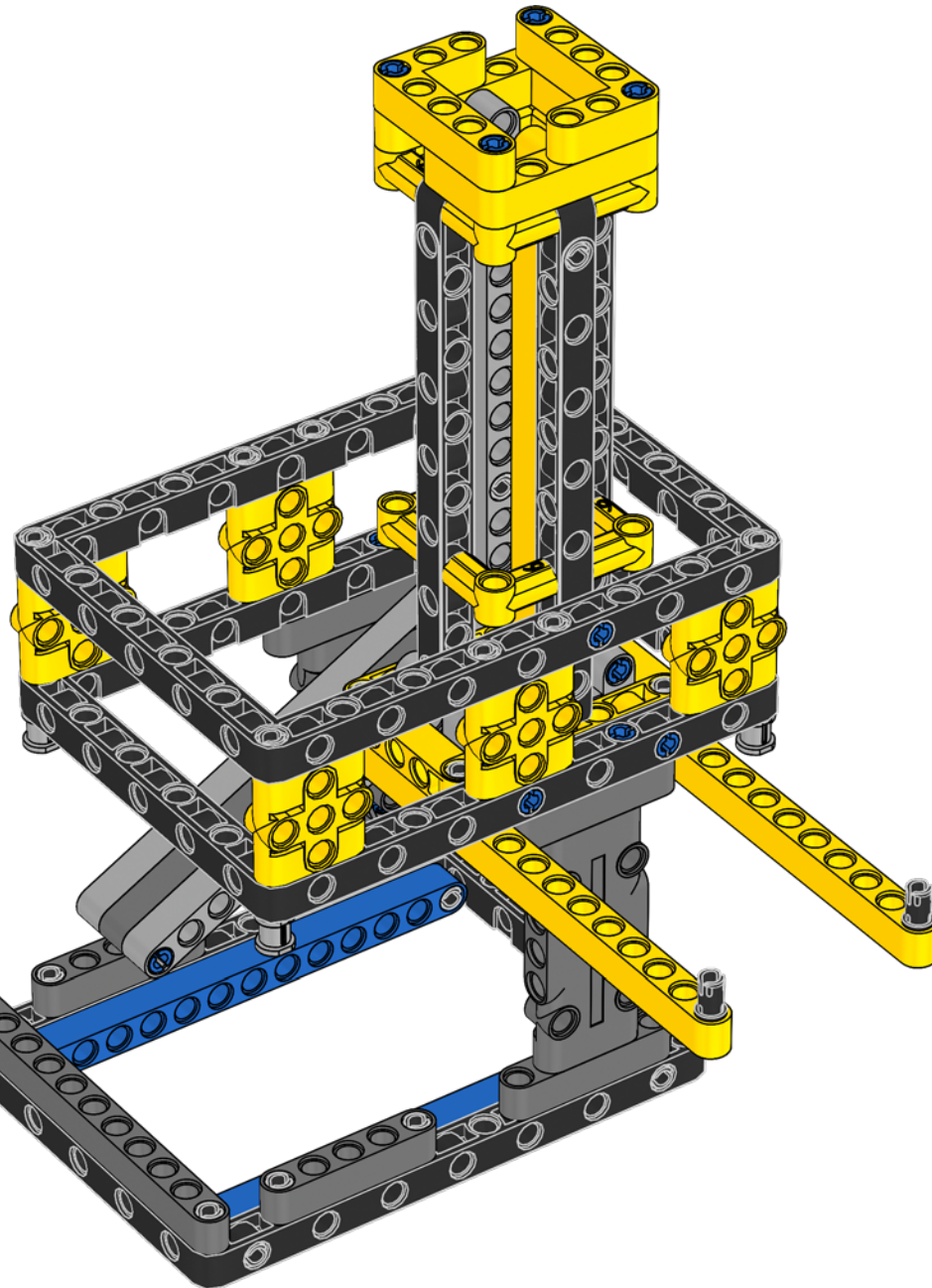


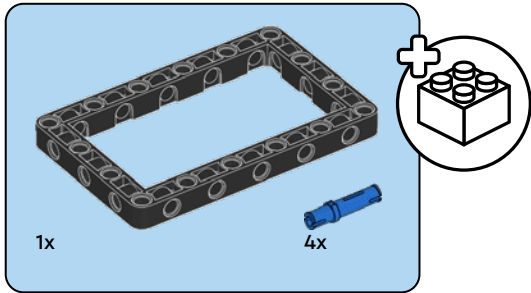
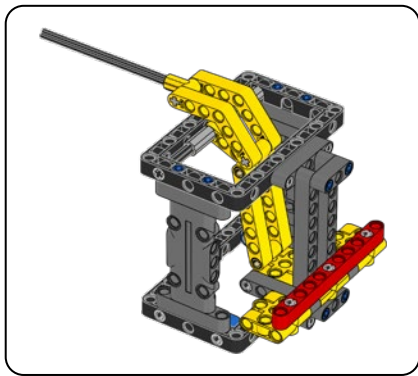


43

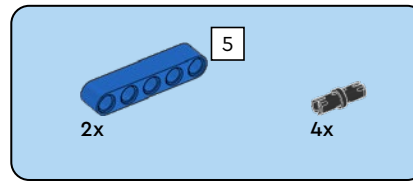
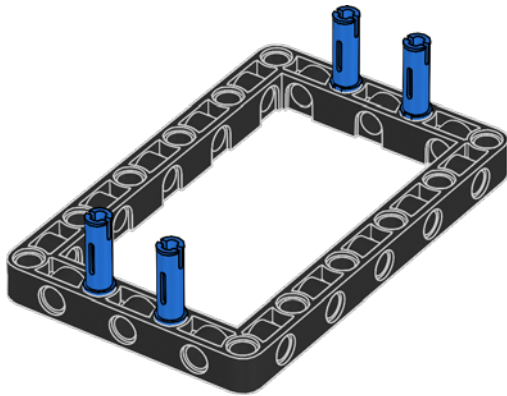


44

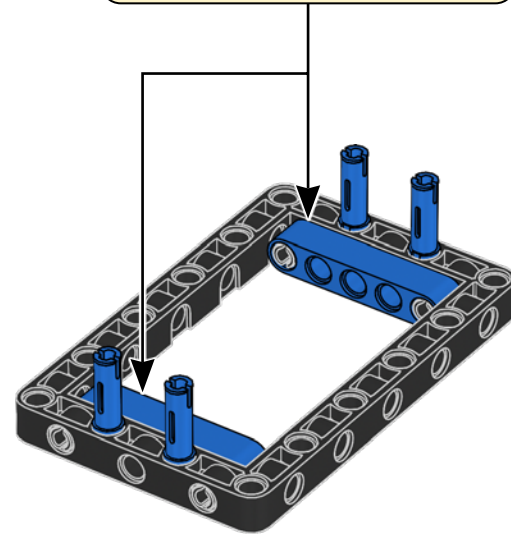
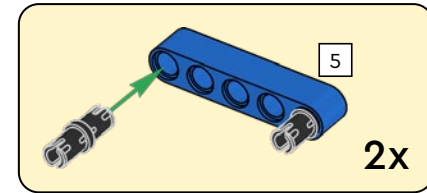


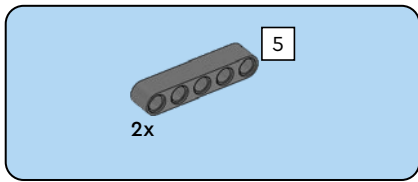


45

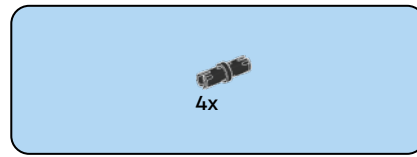
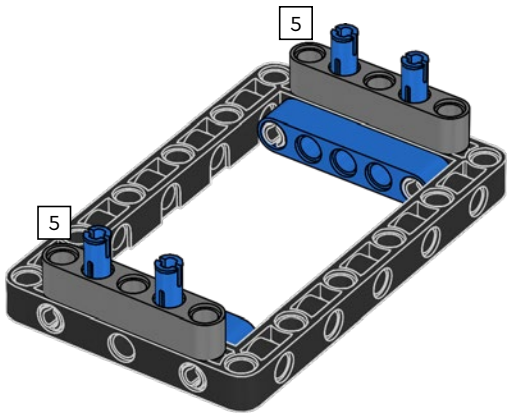


46

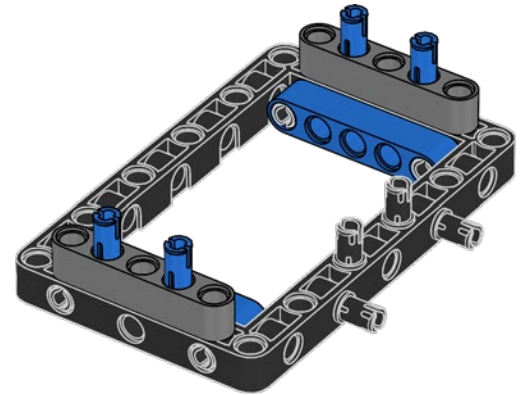


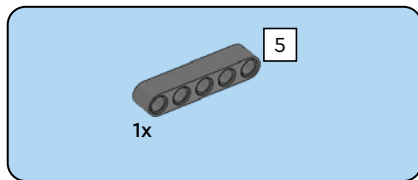


47

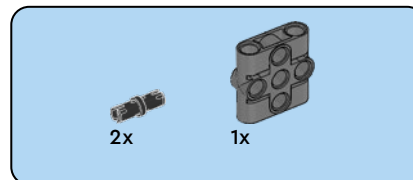
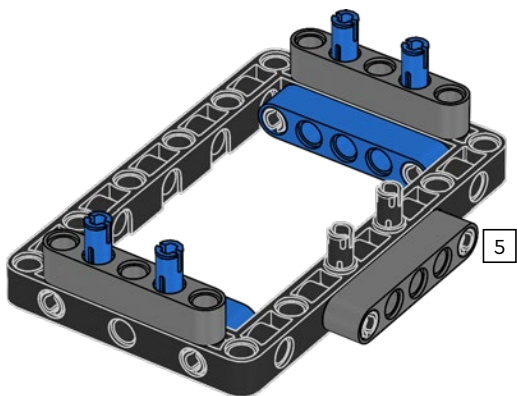


48

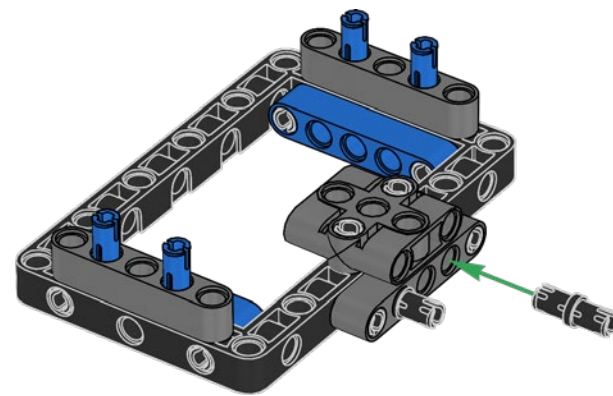


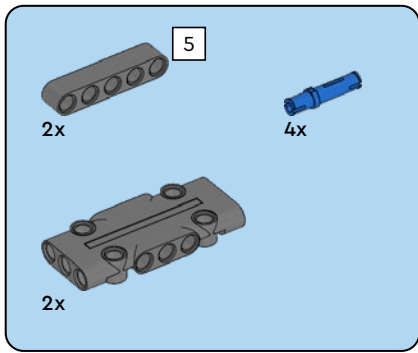


49

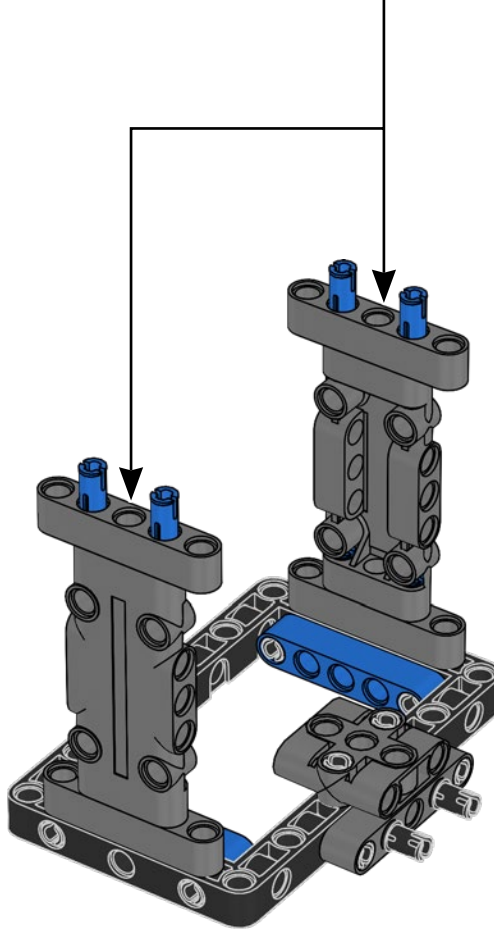
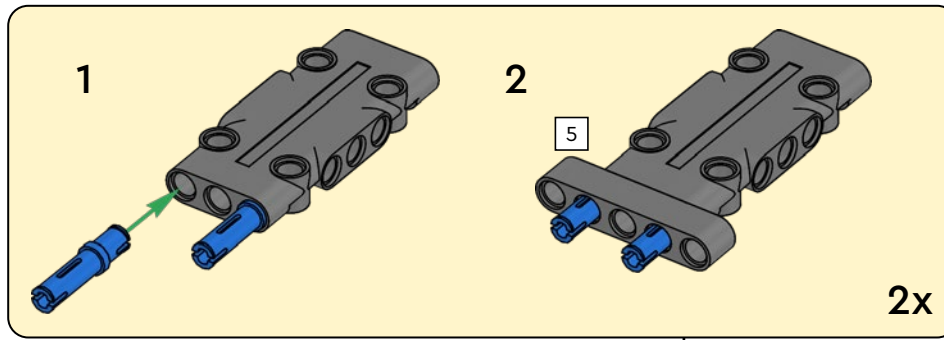


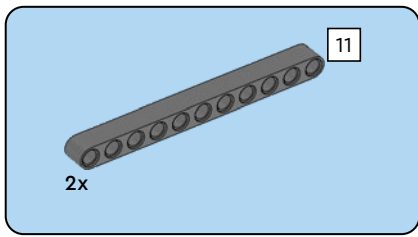
50



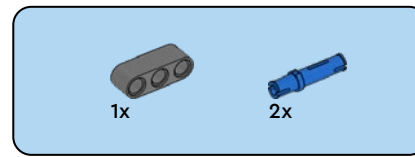
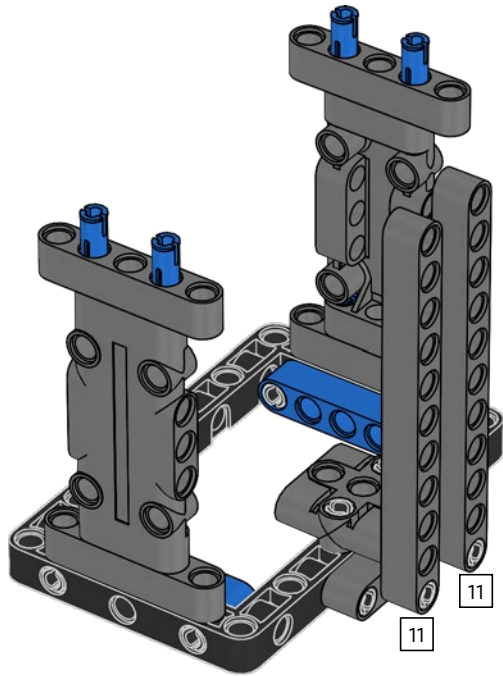


51

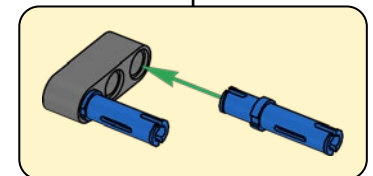
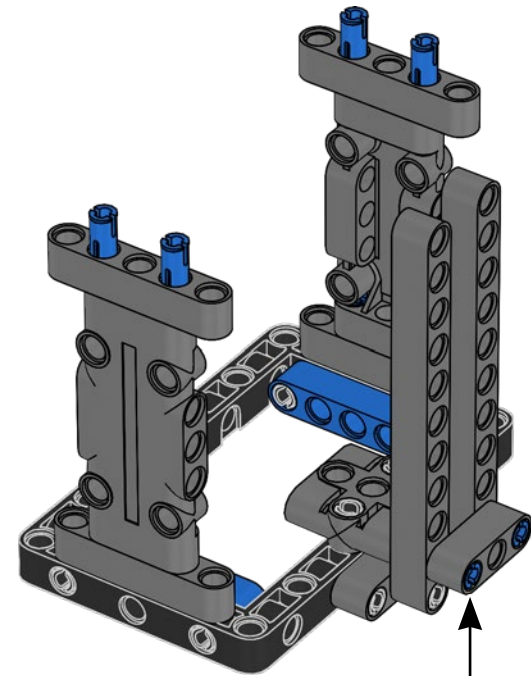


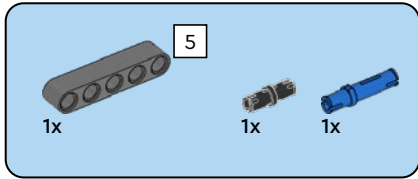
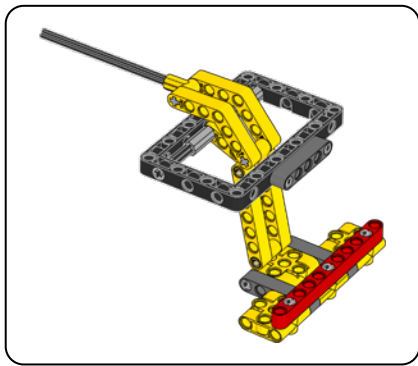


52

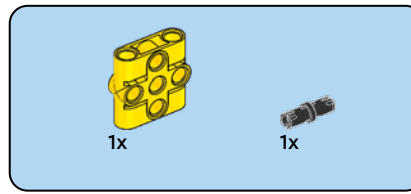
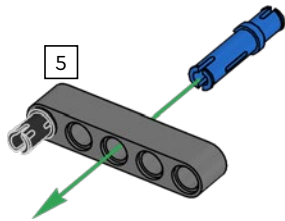


53

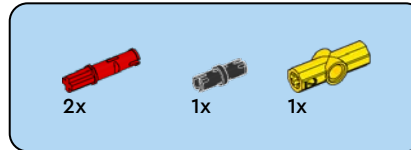
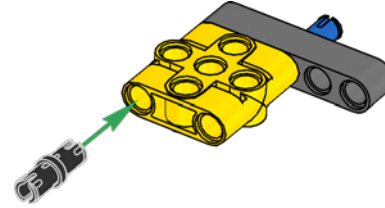




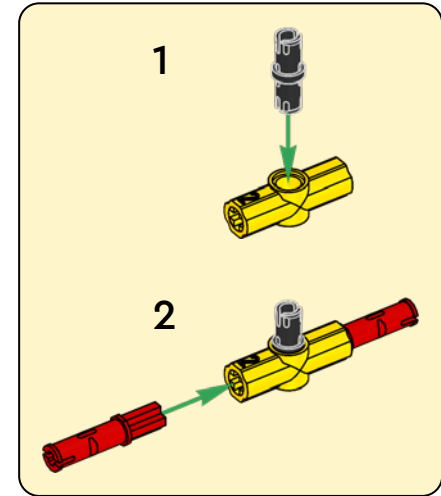
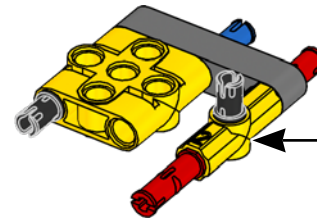
54

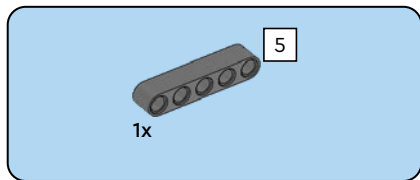


55

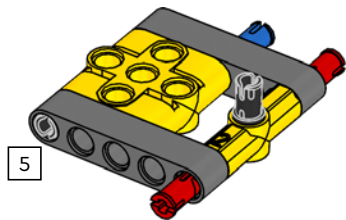


56

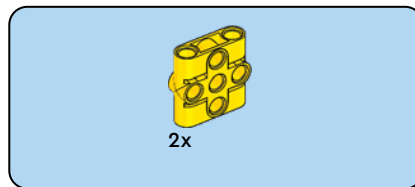
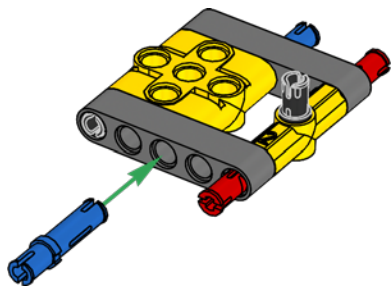




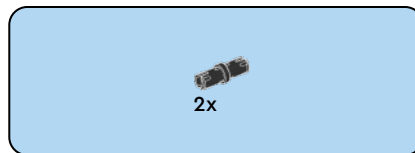
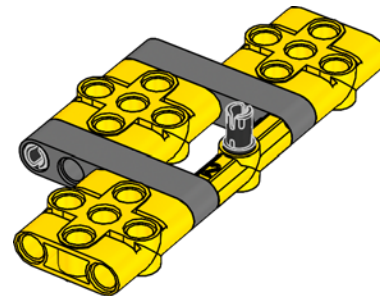
57



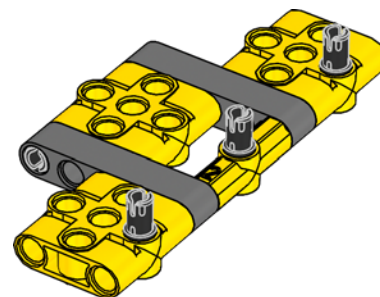
58

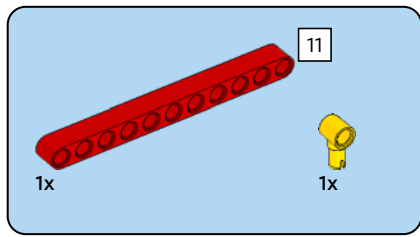


59

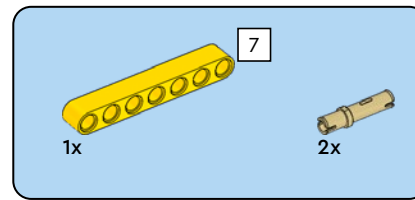
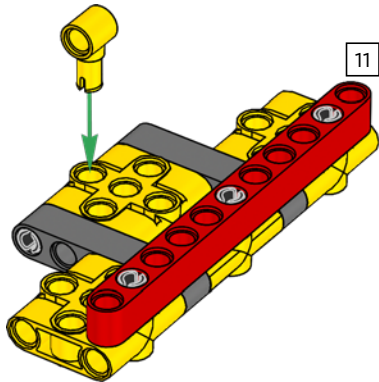


60

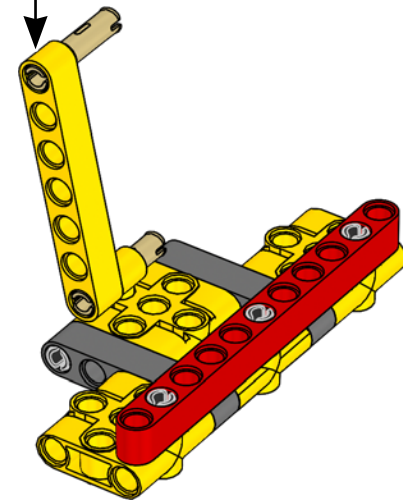
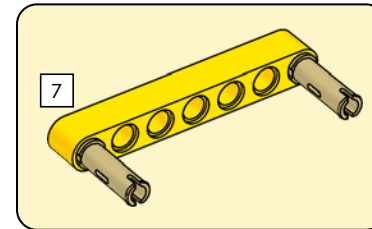


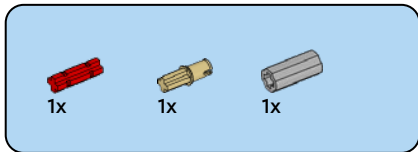
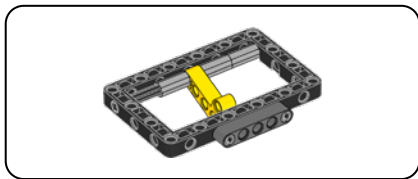


61

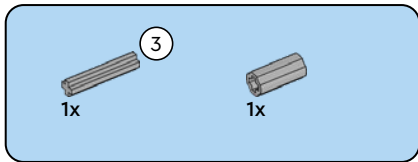
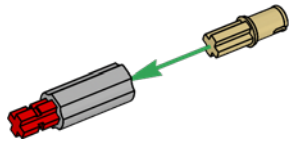


62

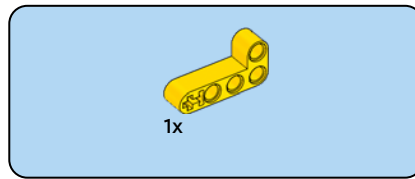
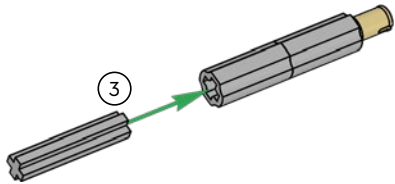




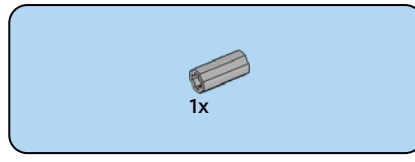
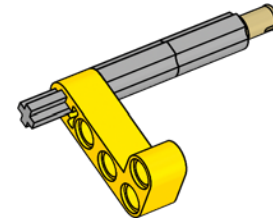
63



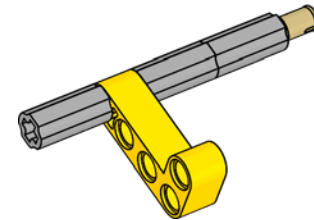
64

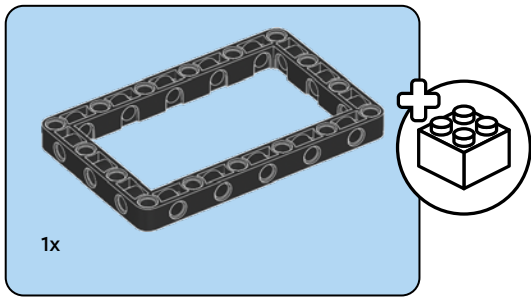


65

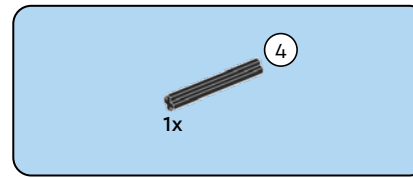
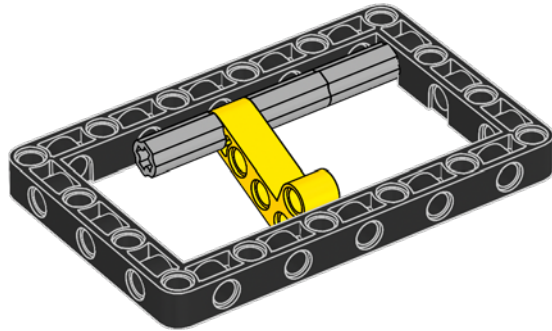


66

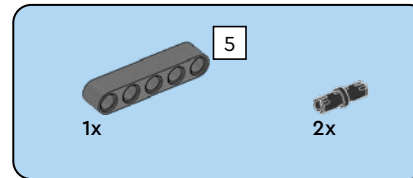
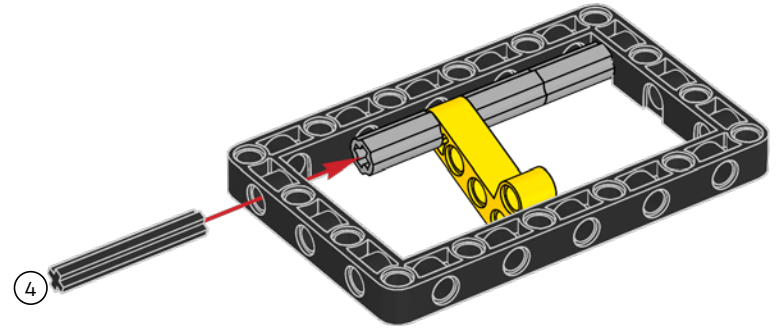




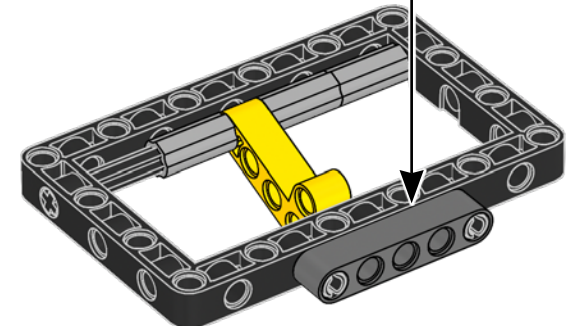
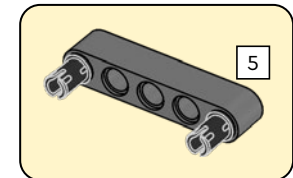
67



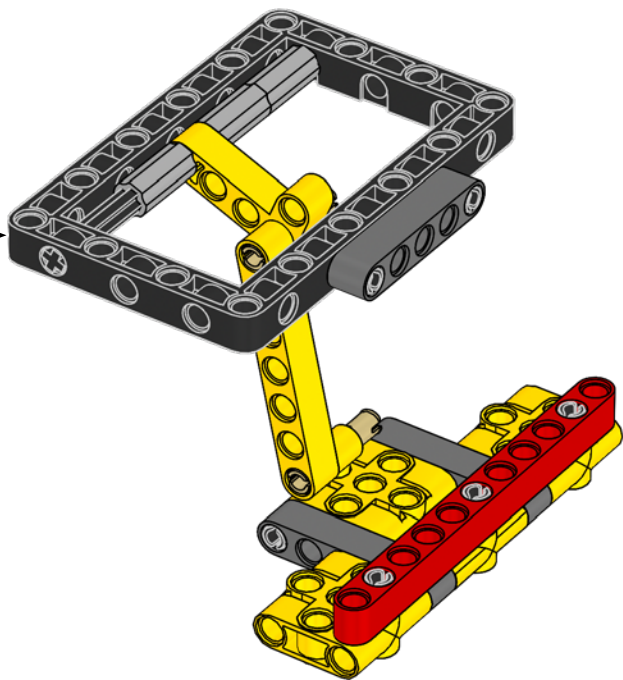
68



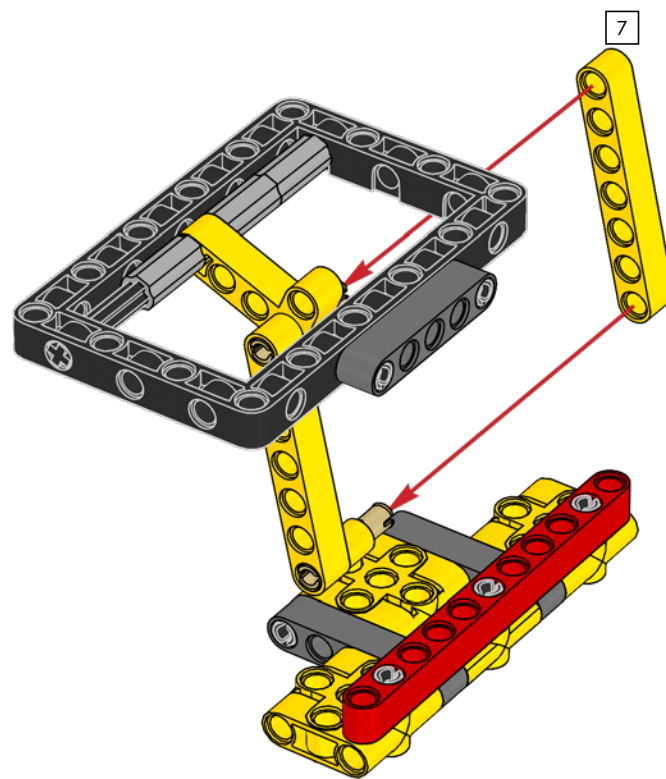
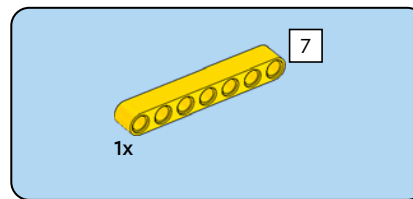
69

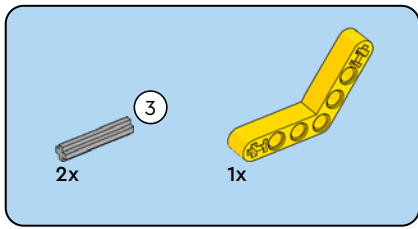


70

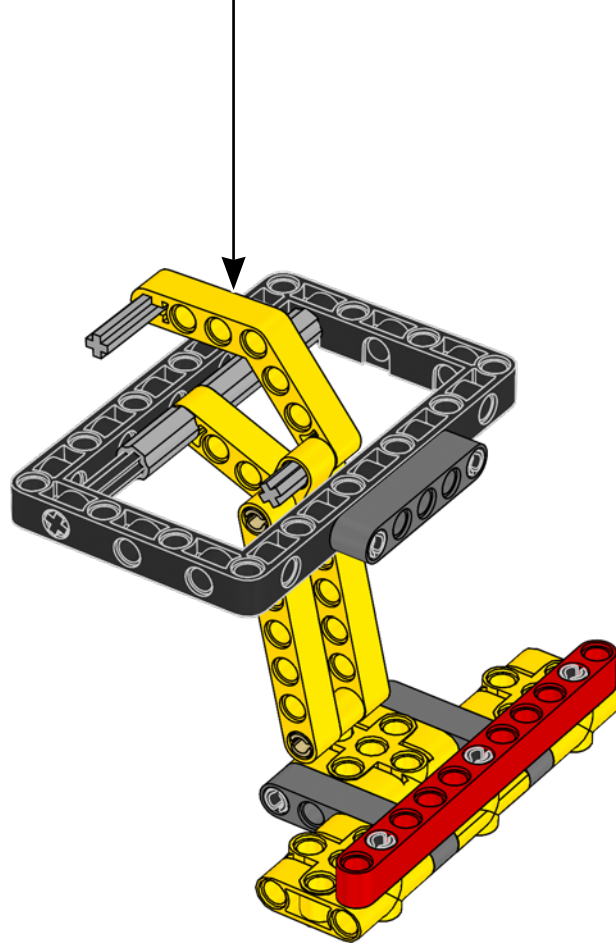
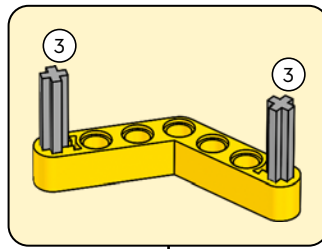


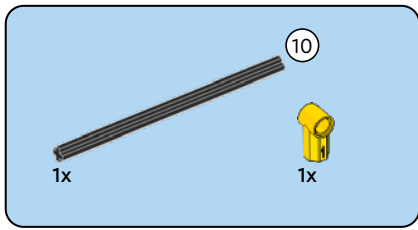
71



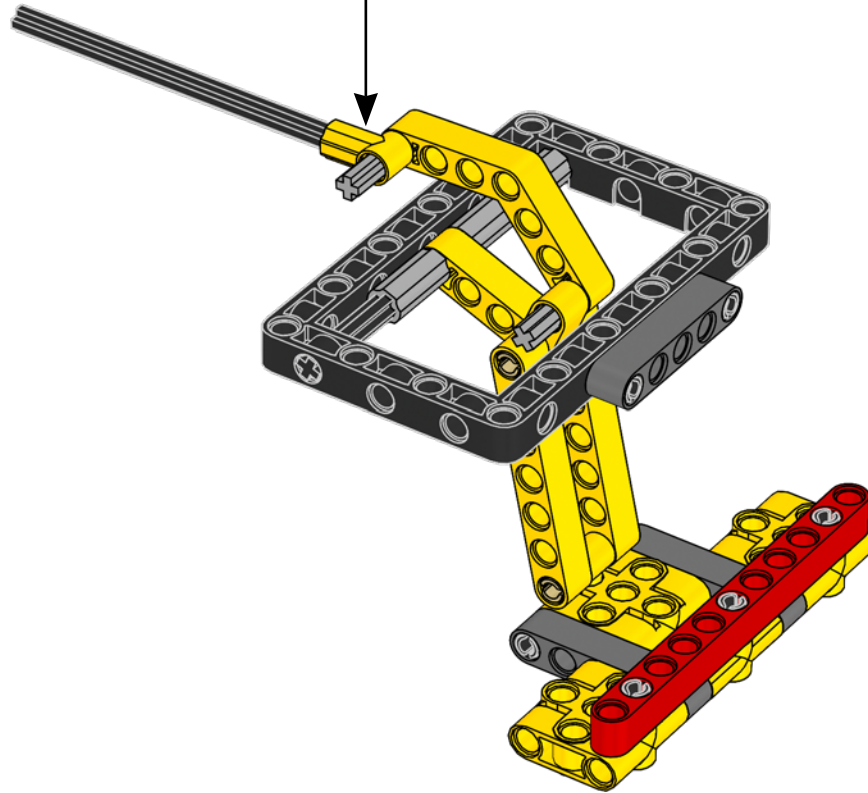
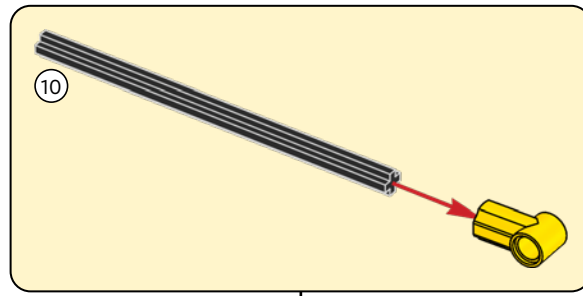


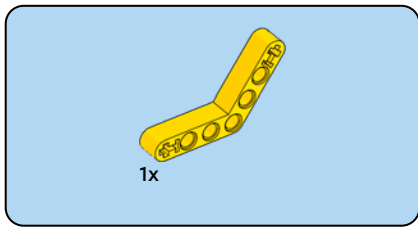
72



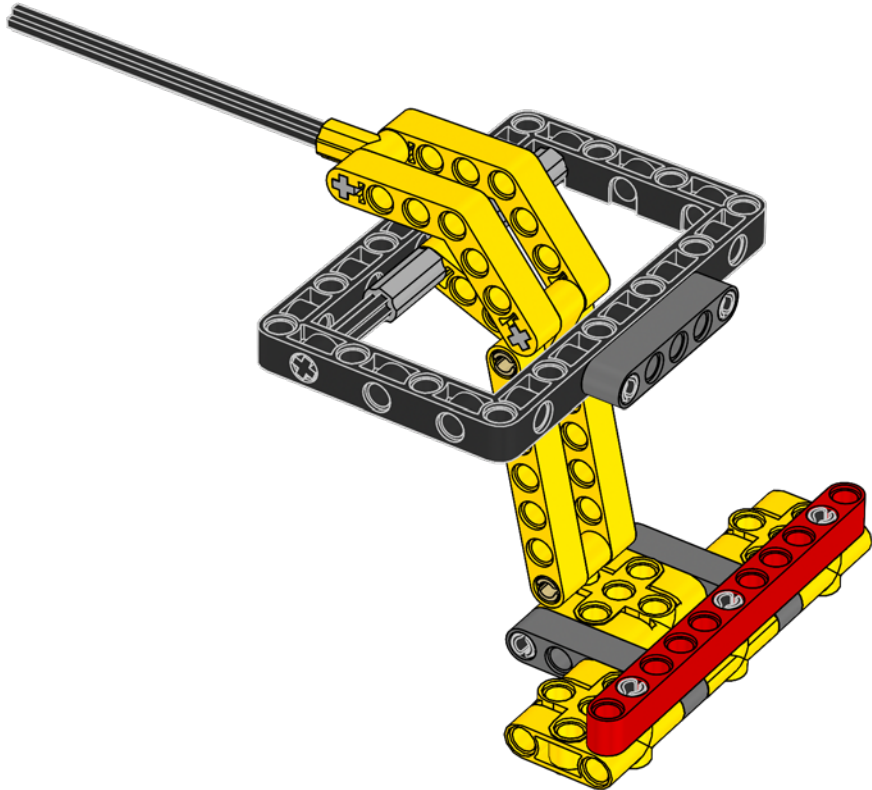


73

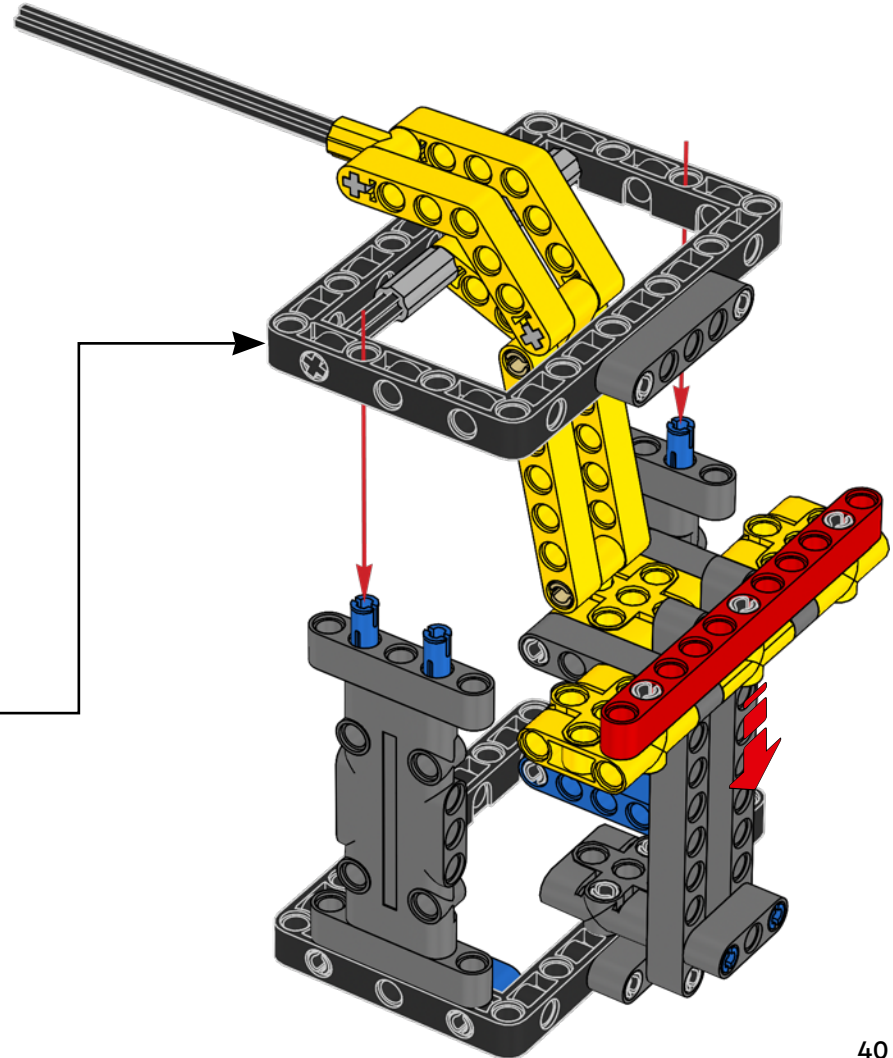


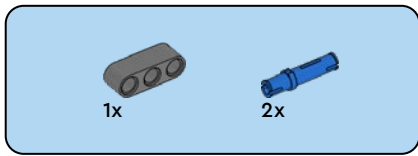


74

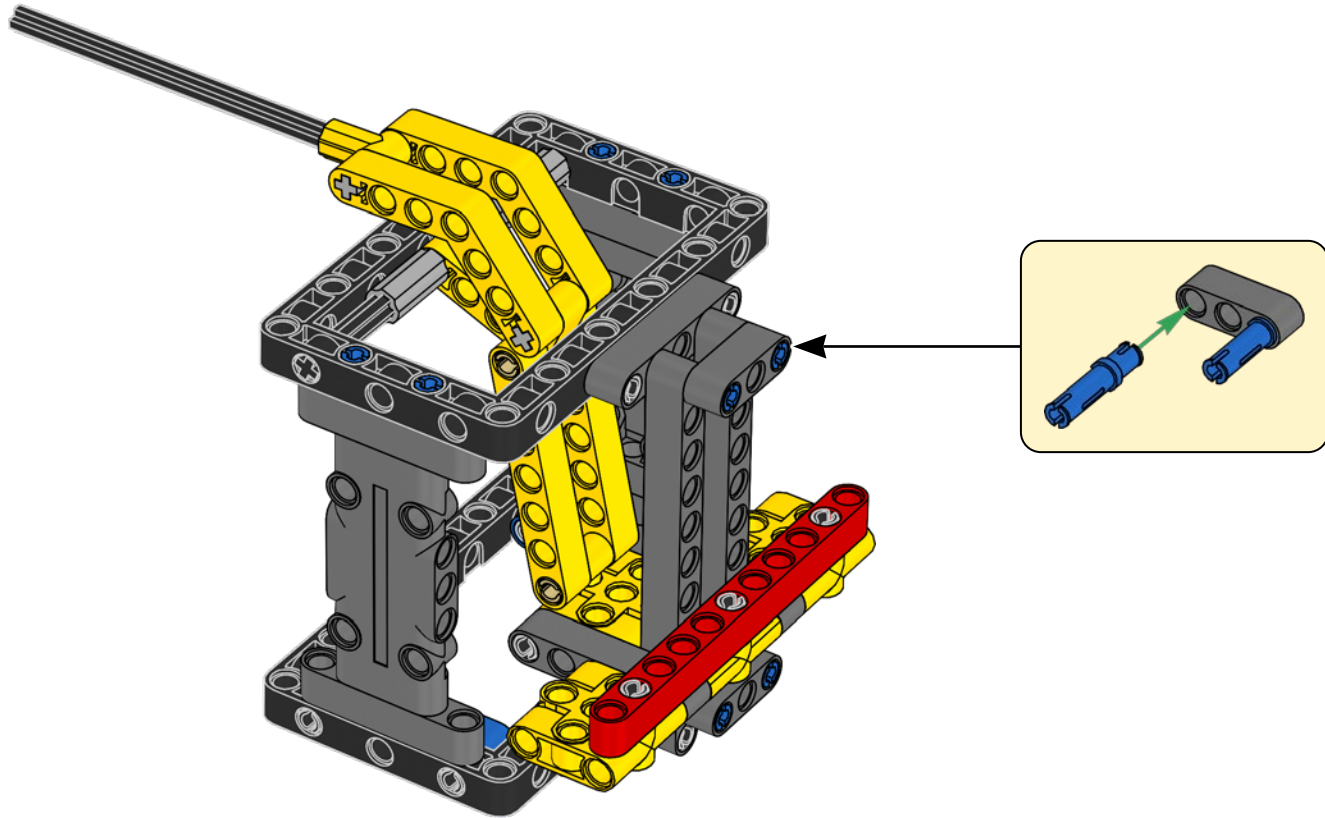


75

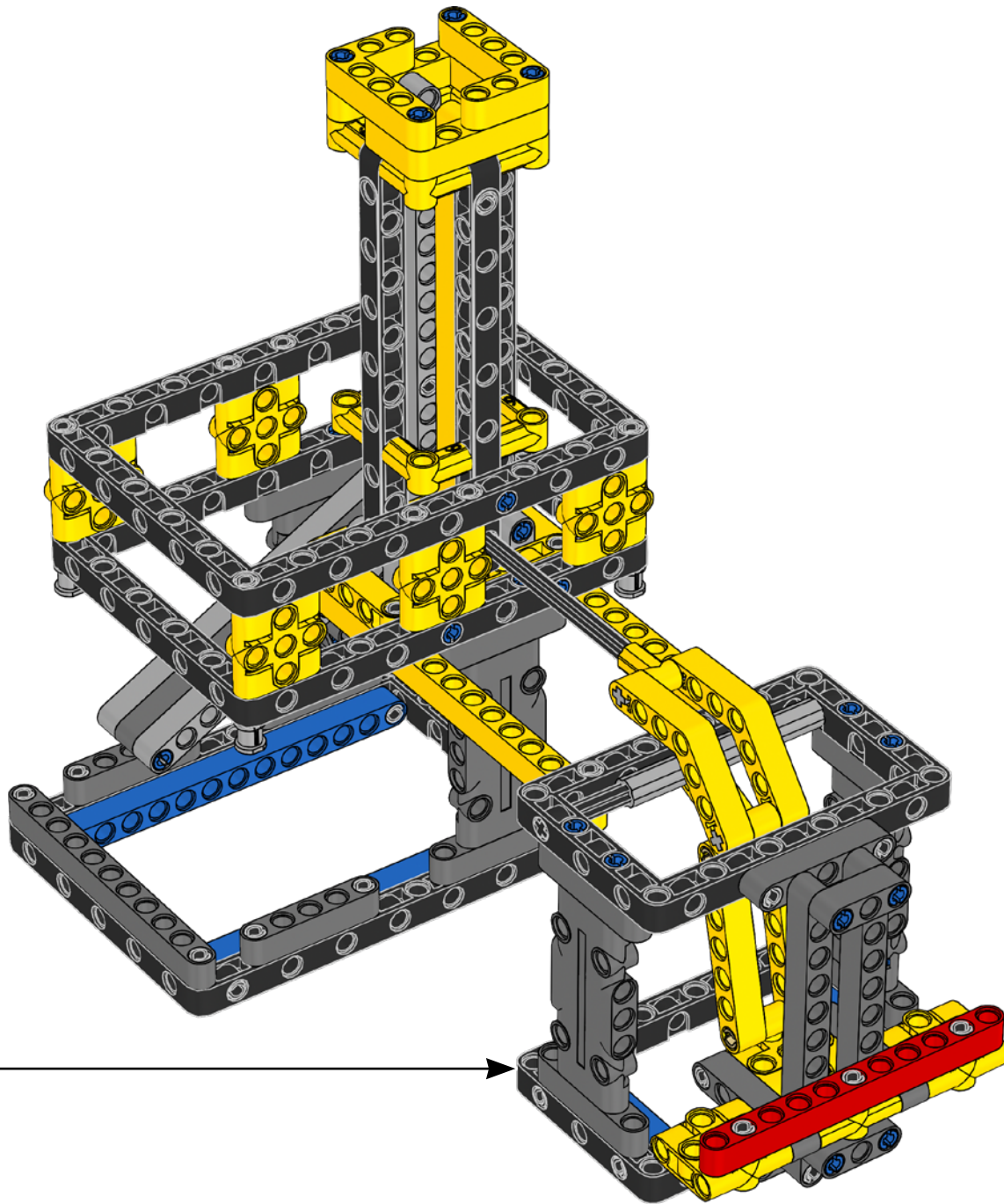


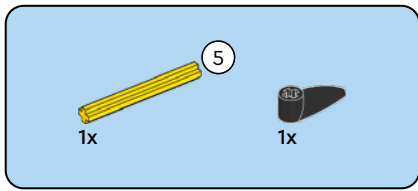


76

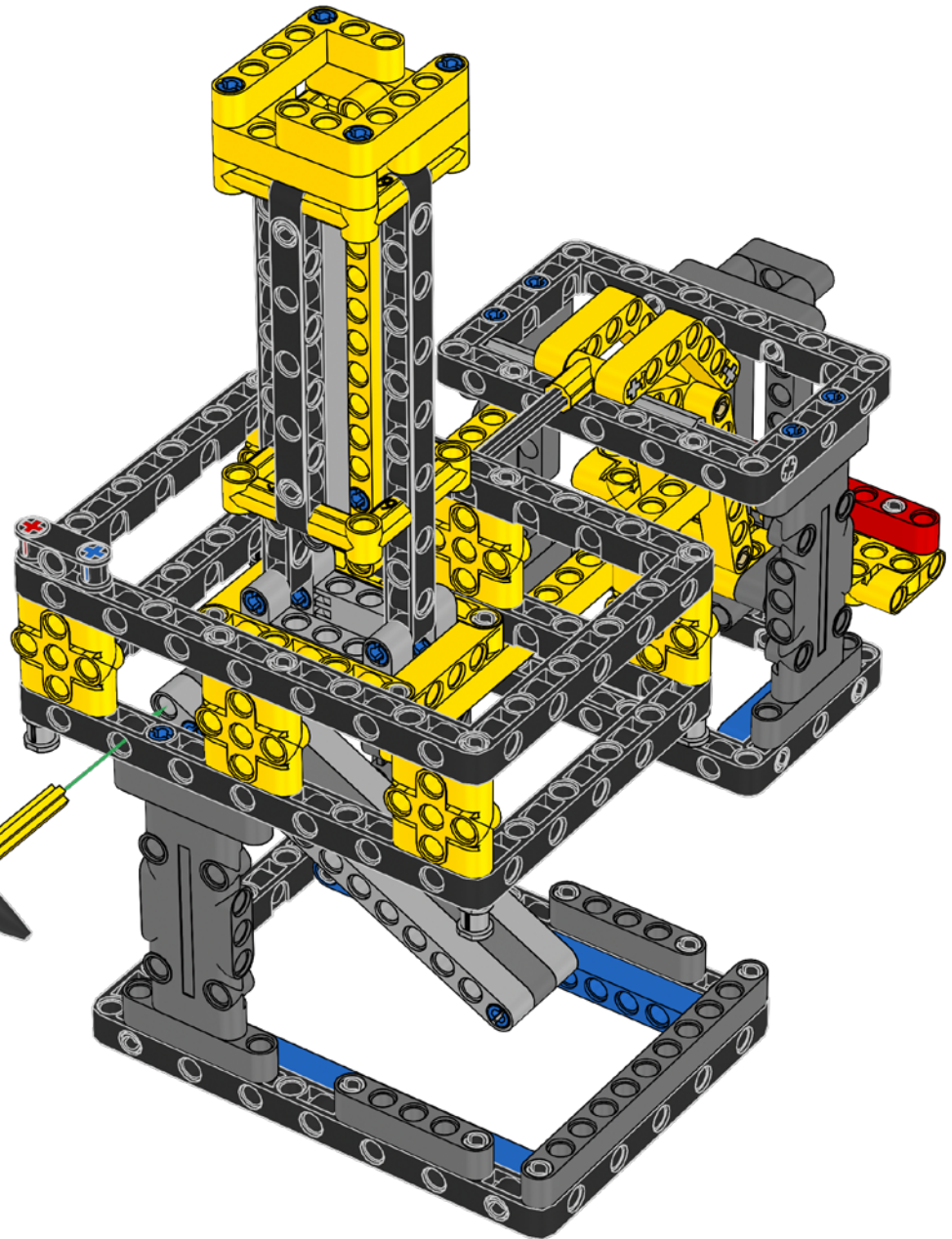
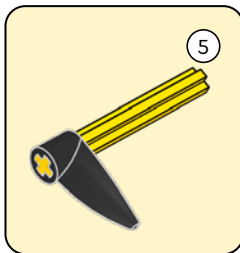
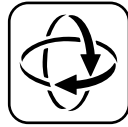


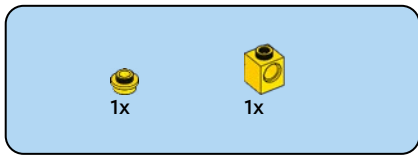
77



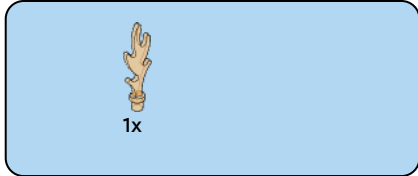


78

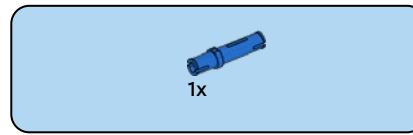




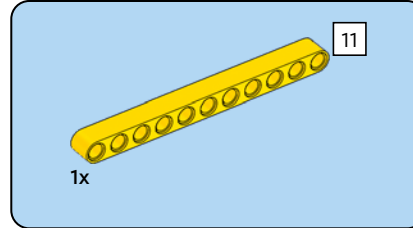
79



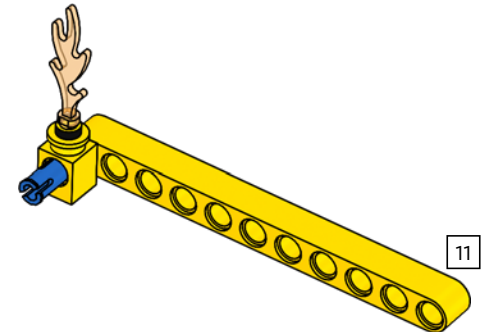
80

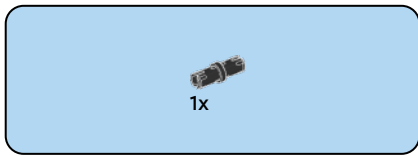


81

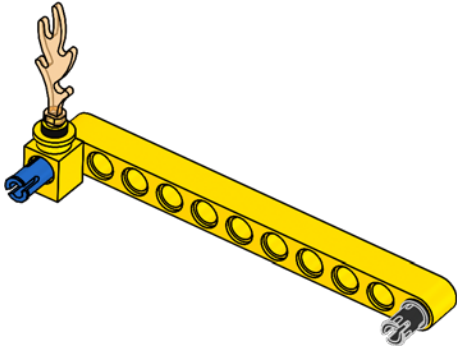


82

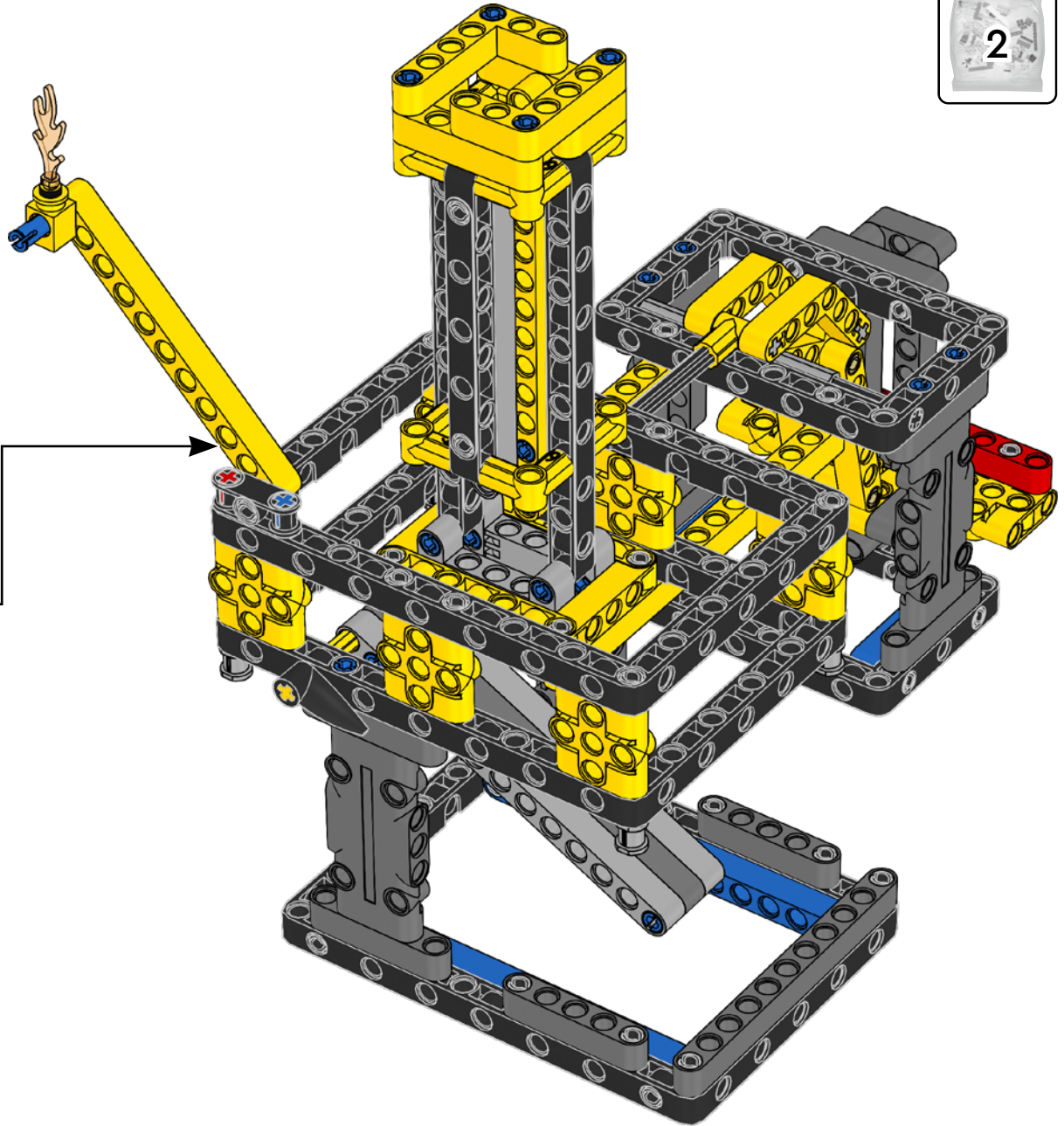


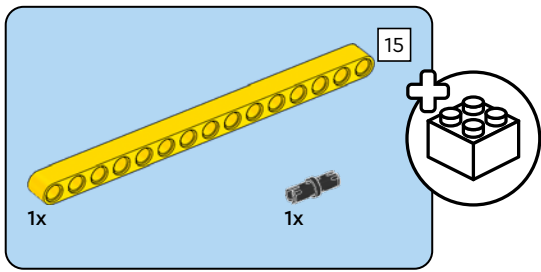


83

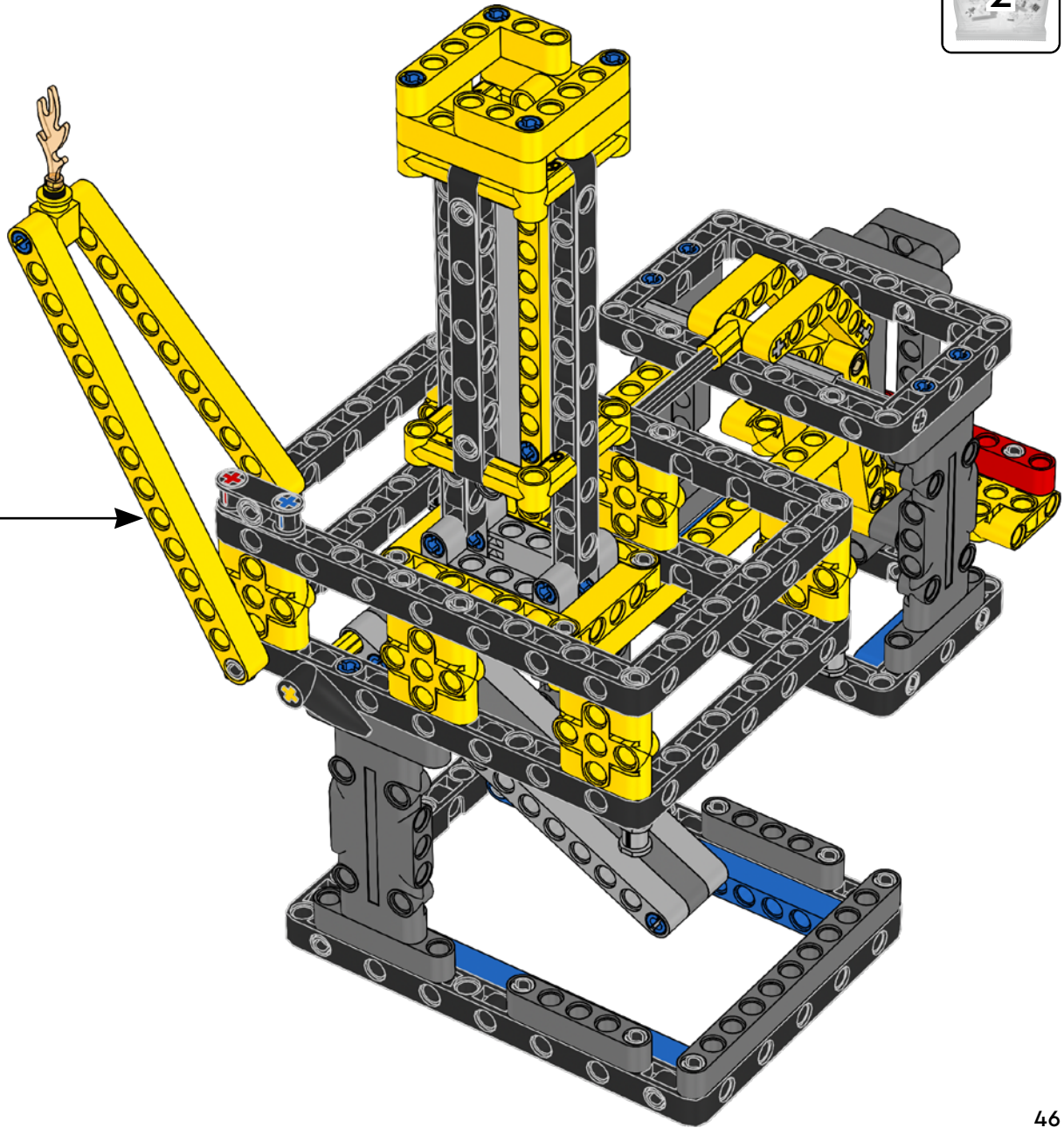
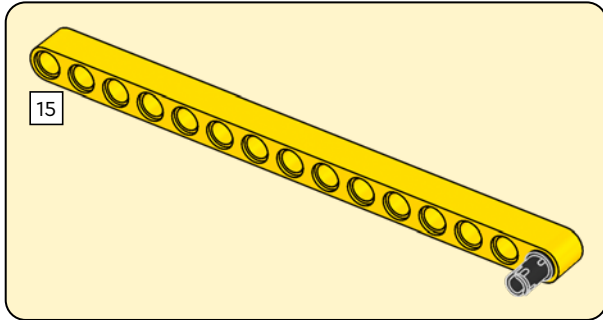


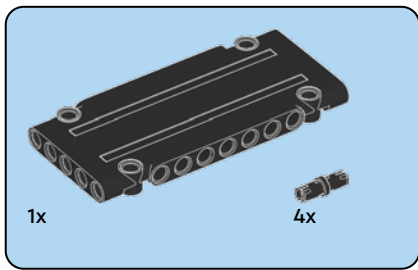
84



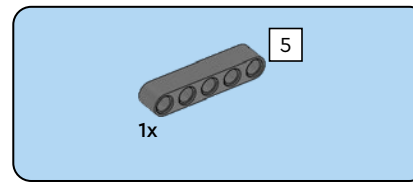
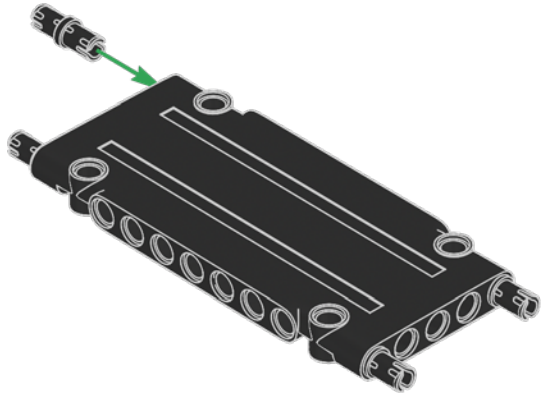


85

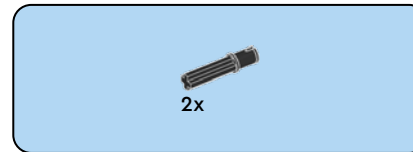
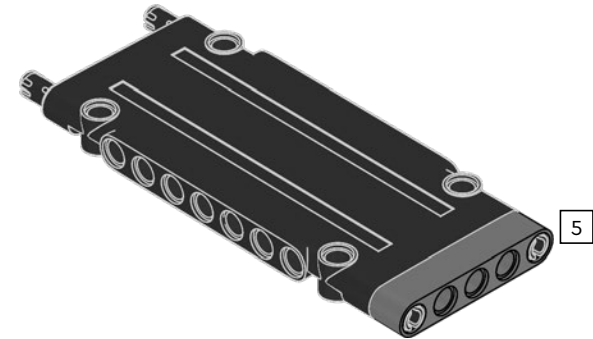




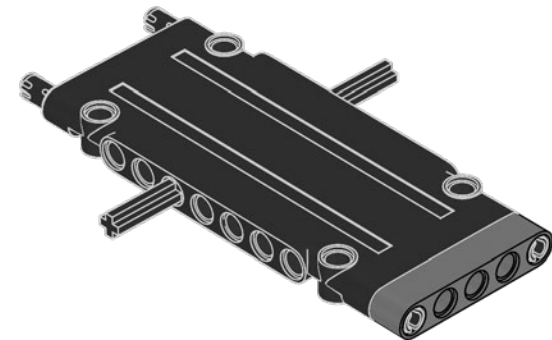
86

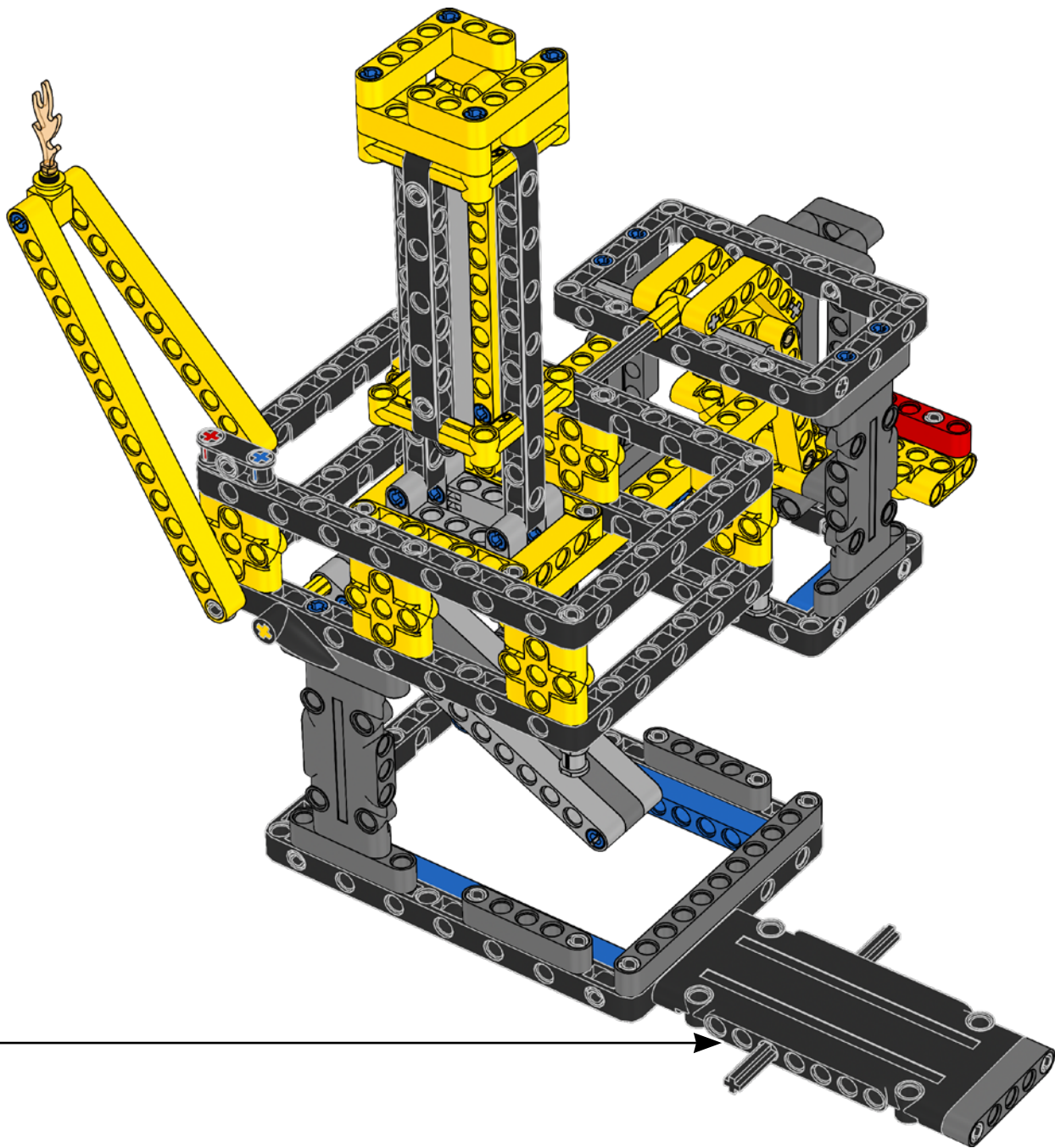


87



88





LEGO and the LEGO logo are trademarks of the/son des marques de commerce du/son marcas registradas de LEGO Group.
©2022 The LEGO Group.
FIRST™ is a registered trademark of For Inspiration and Recognition of Science and Technology (FIRST). LEGO® is a registered trademark of the LEGO Group. FIRST™, LEGO™, LEAGUE and SUPERPOWERED™ are jointly held trademarks of FIRST and the LEGO Group.
©2022 FIRST and the LEGO Group. All rights reserved.