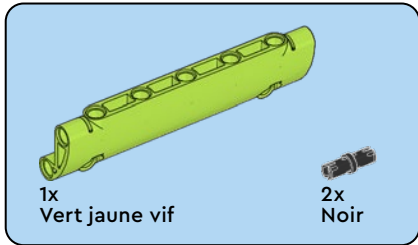
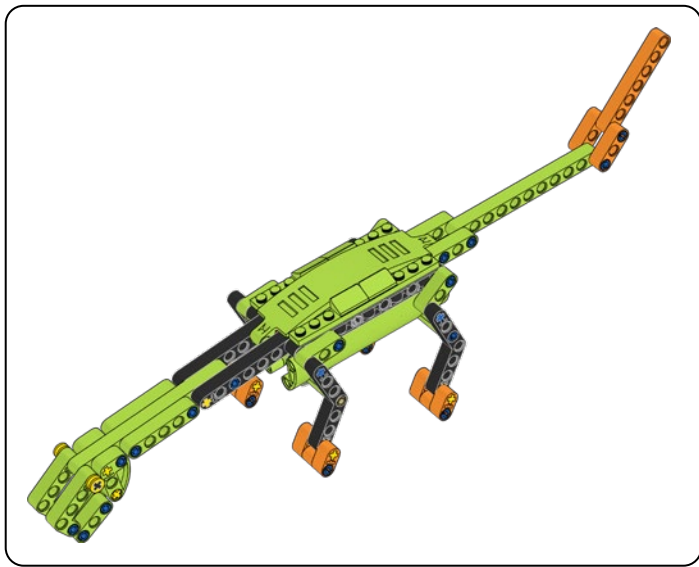
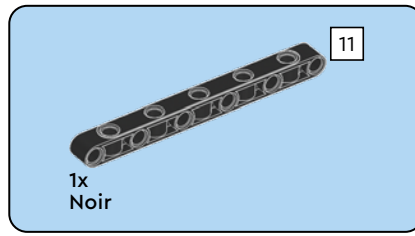
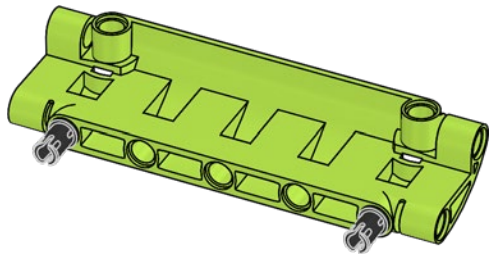


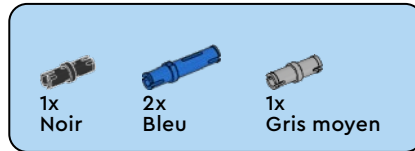
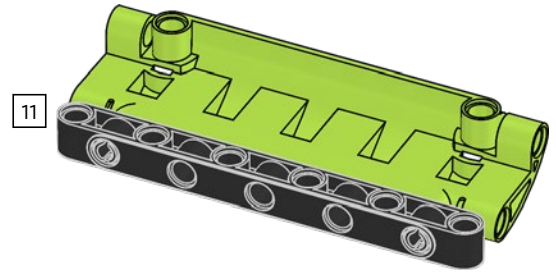
45820



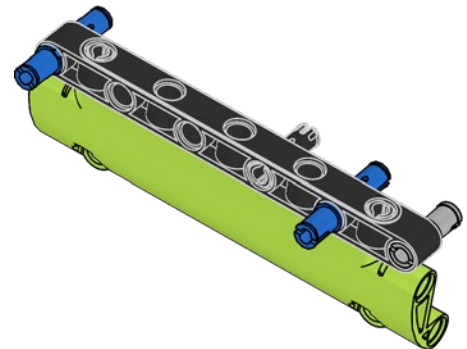
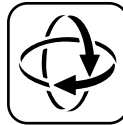
1

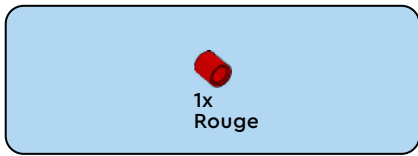


2

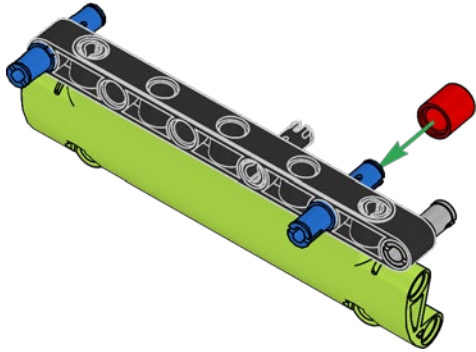


3

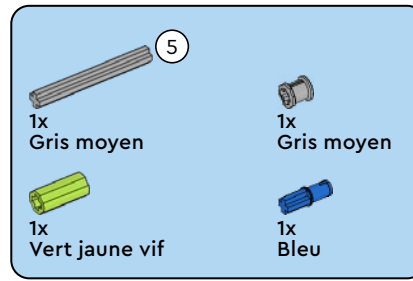
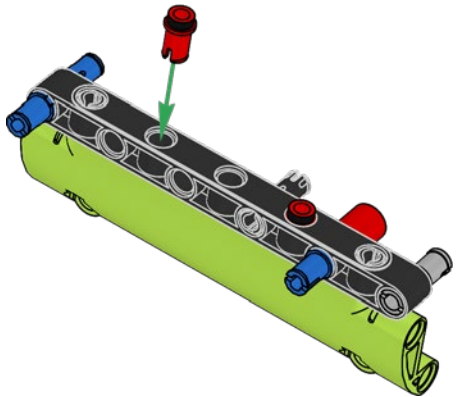




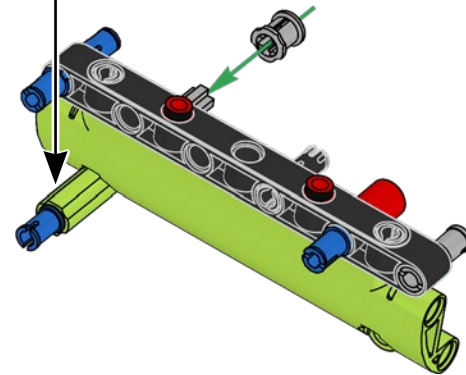
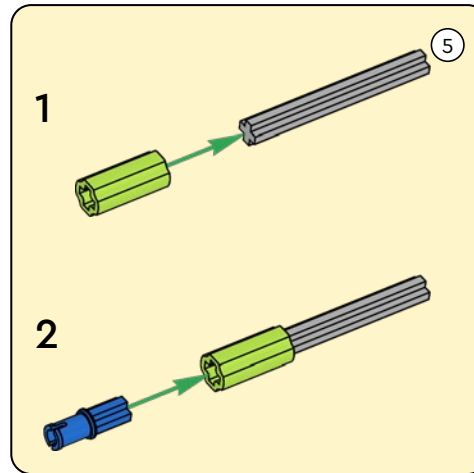
4

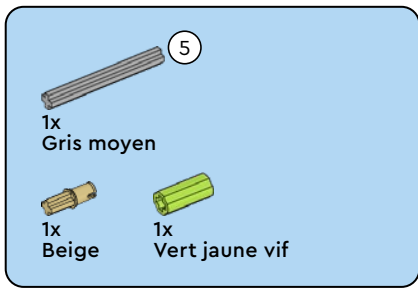


5

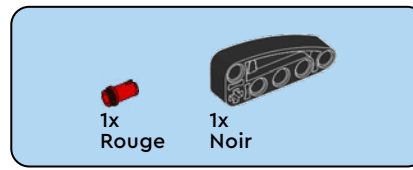
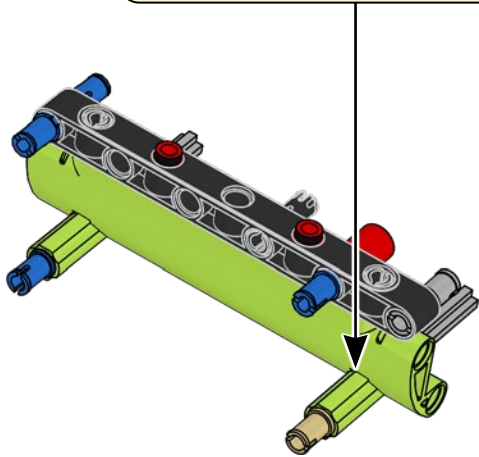
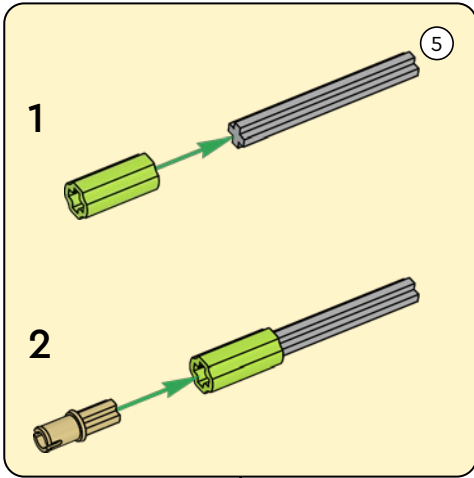


6

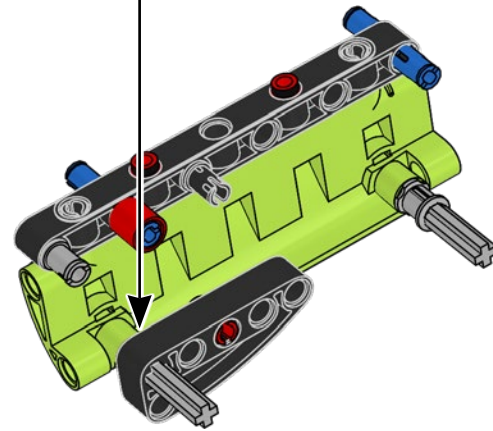
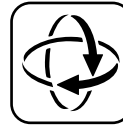
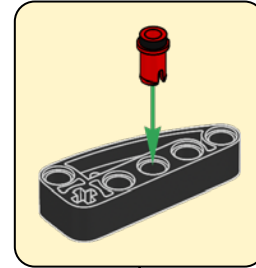


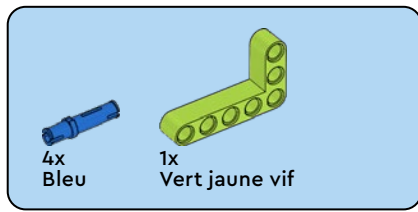


7

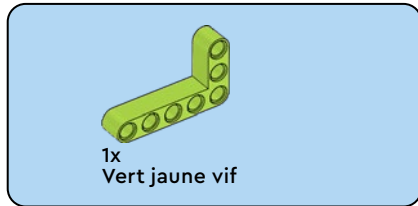
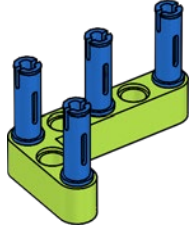


8

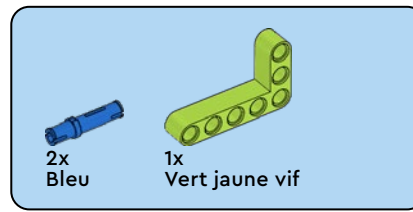
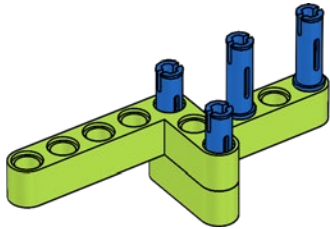




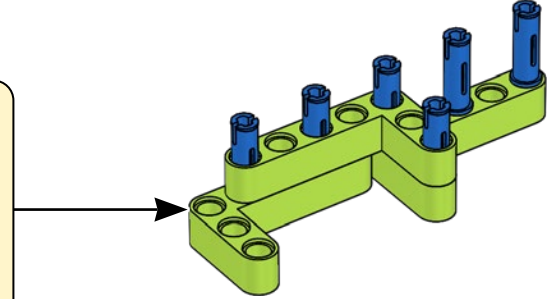
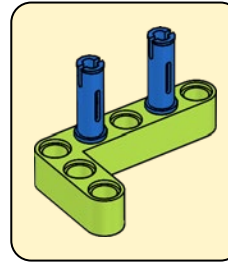
9



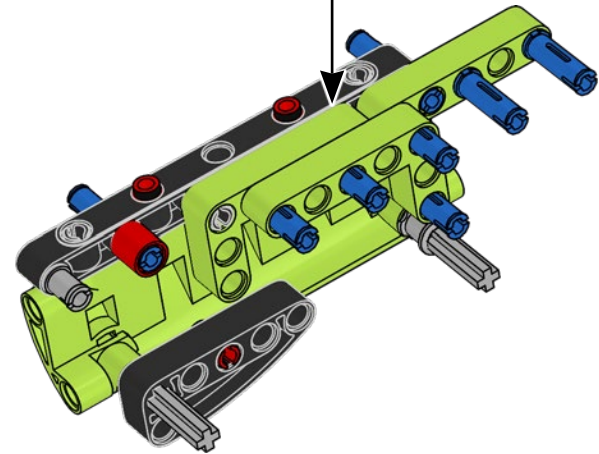
10

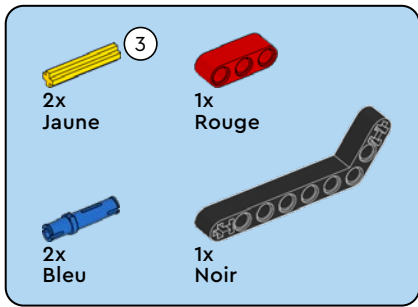


11

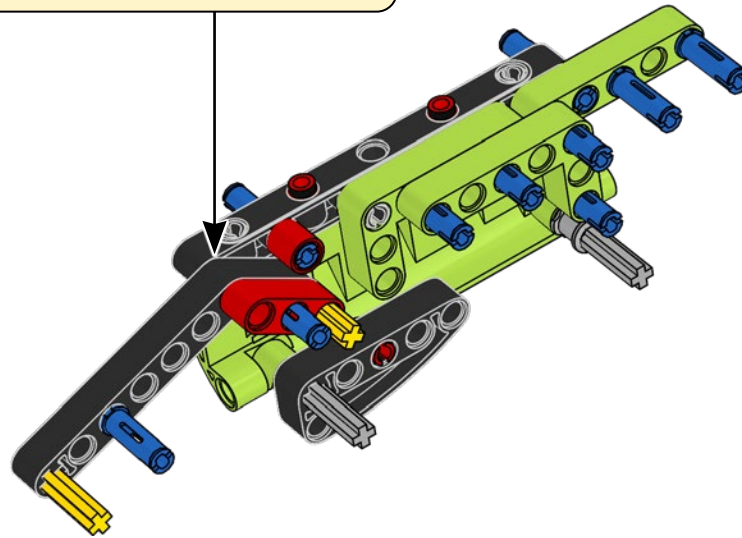
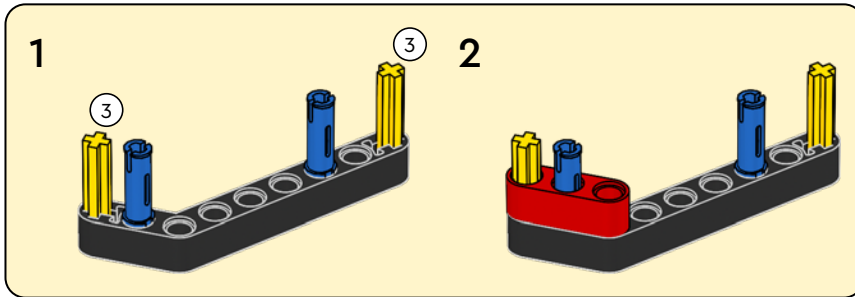


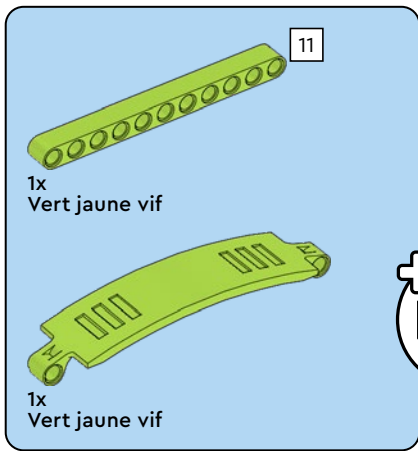
12



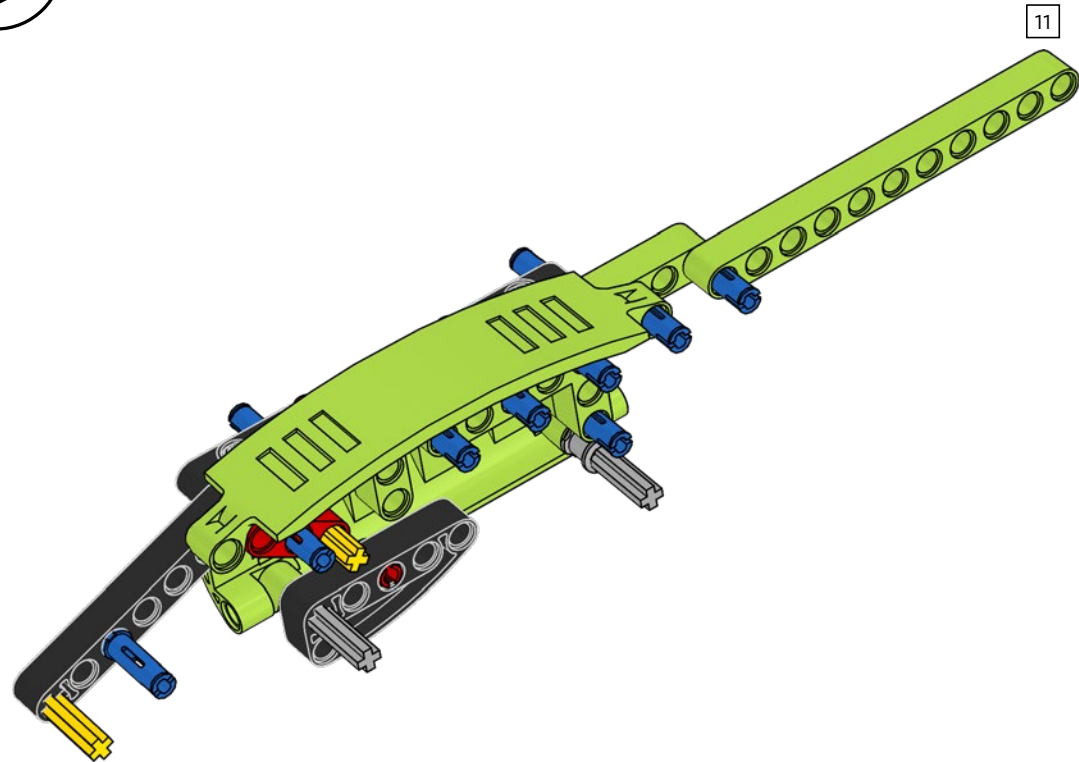


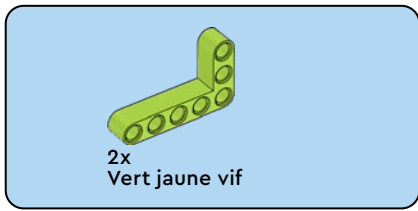
13



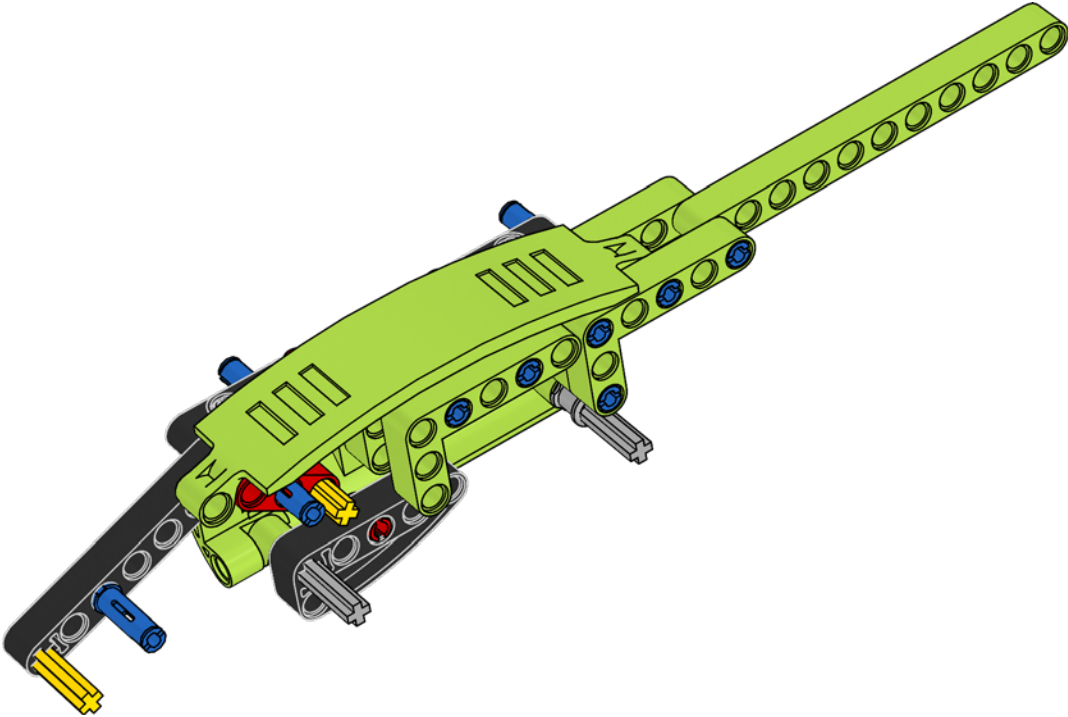


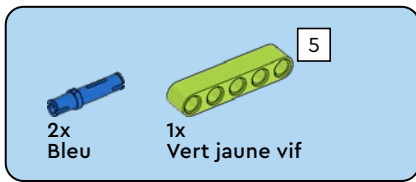
14



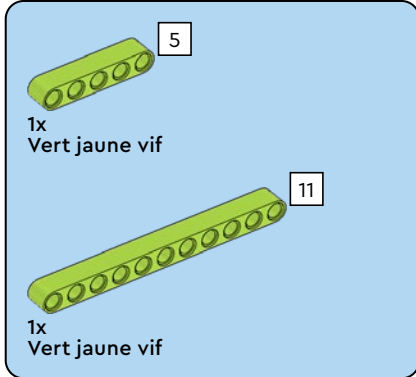
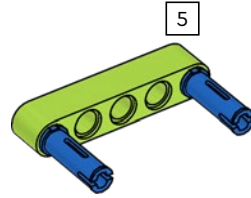


15

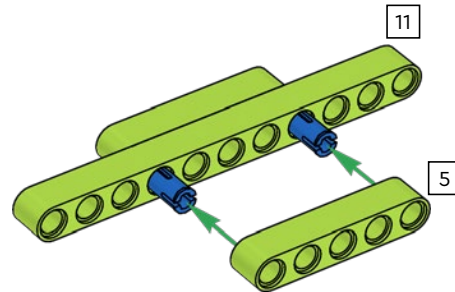




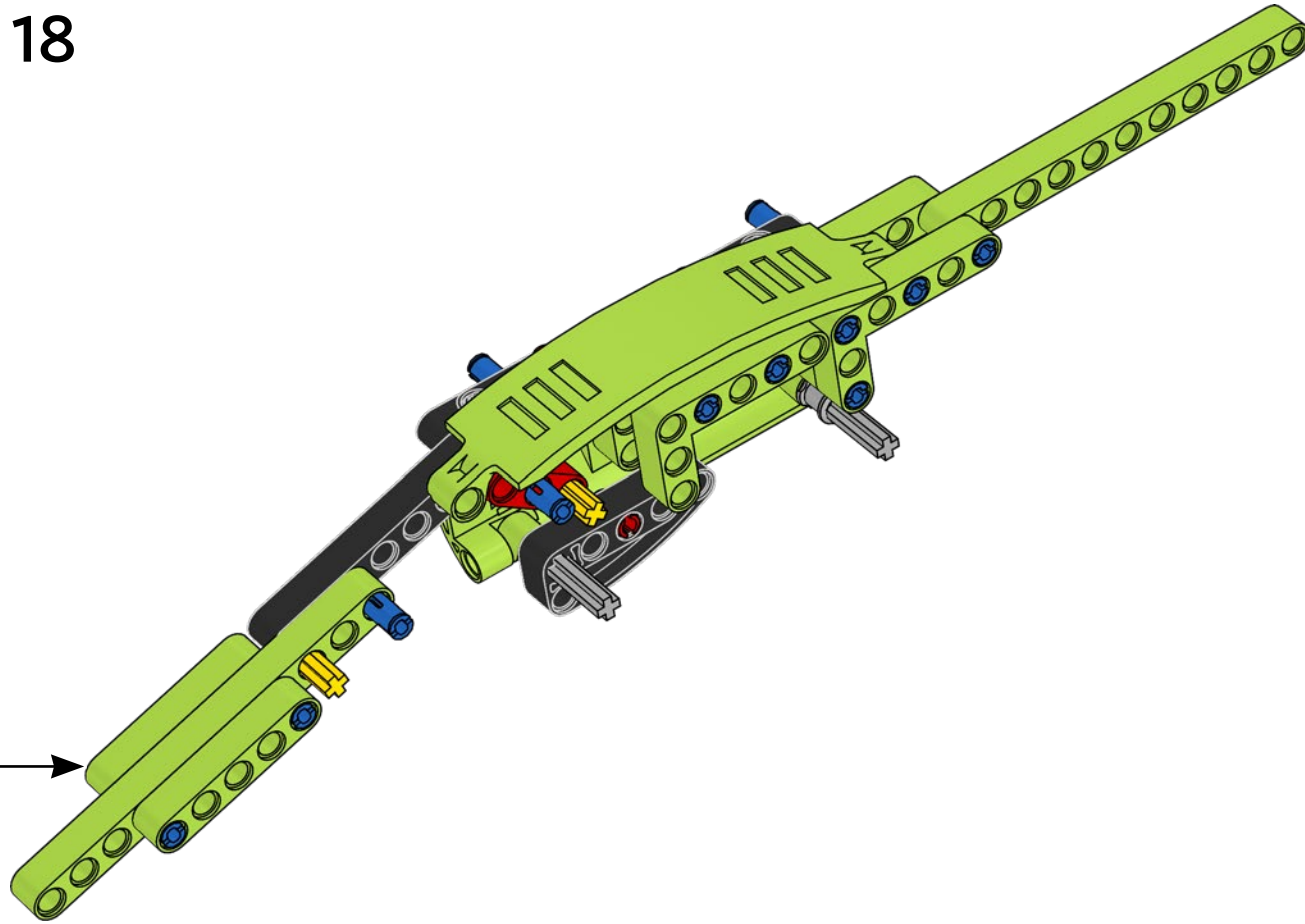
16

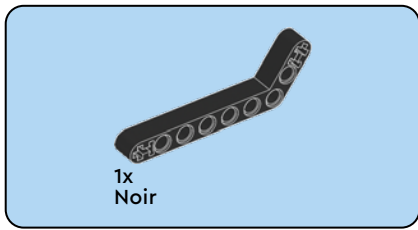


17

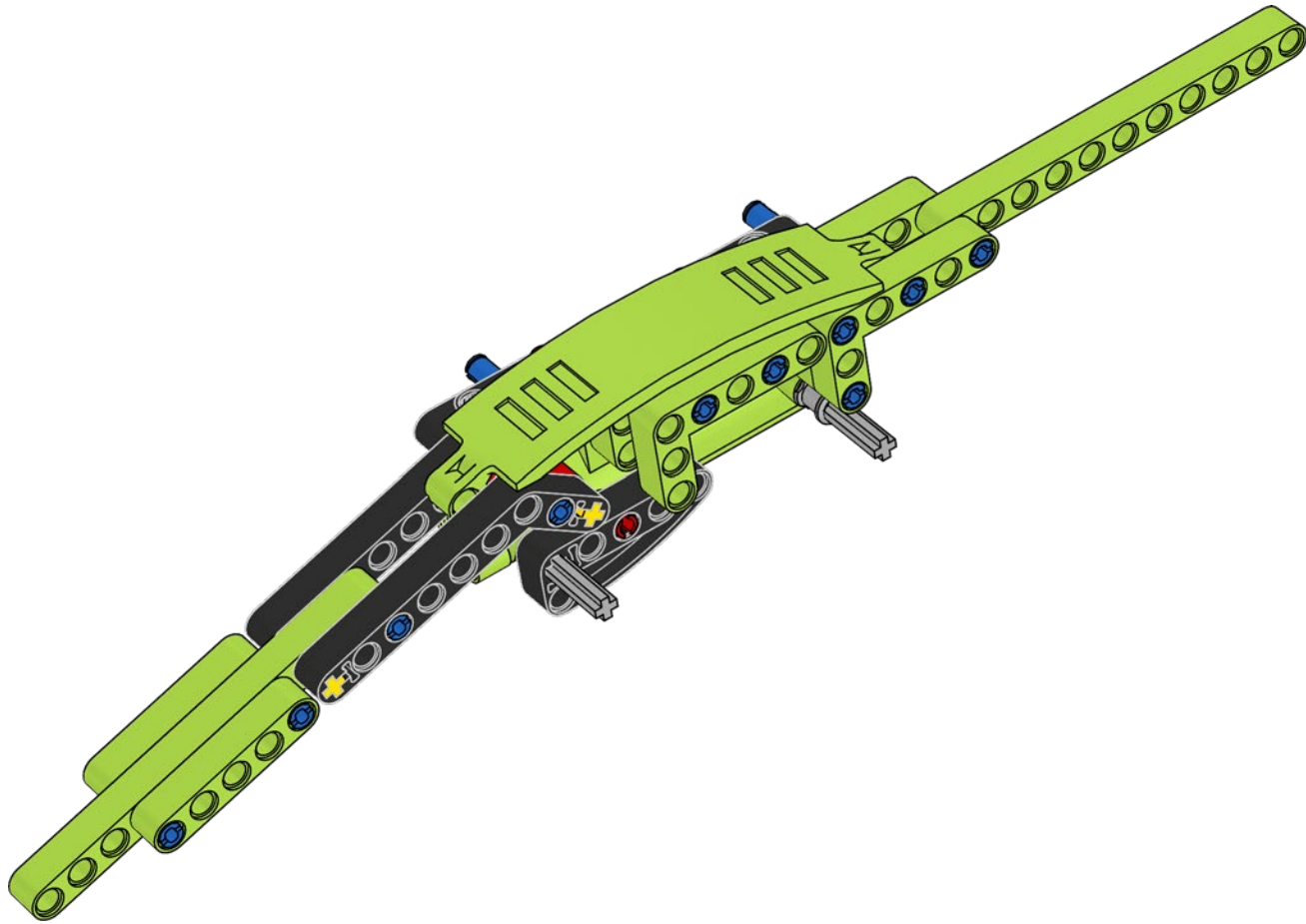


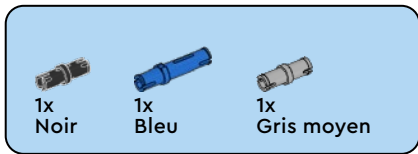
18



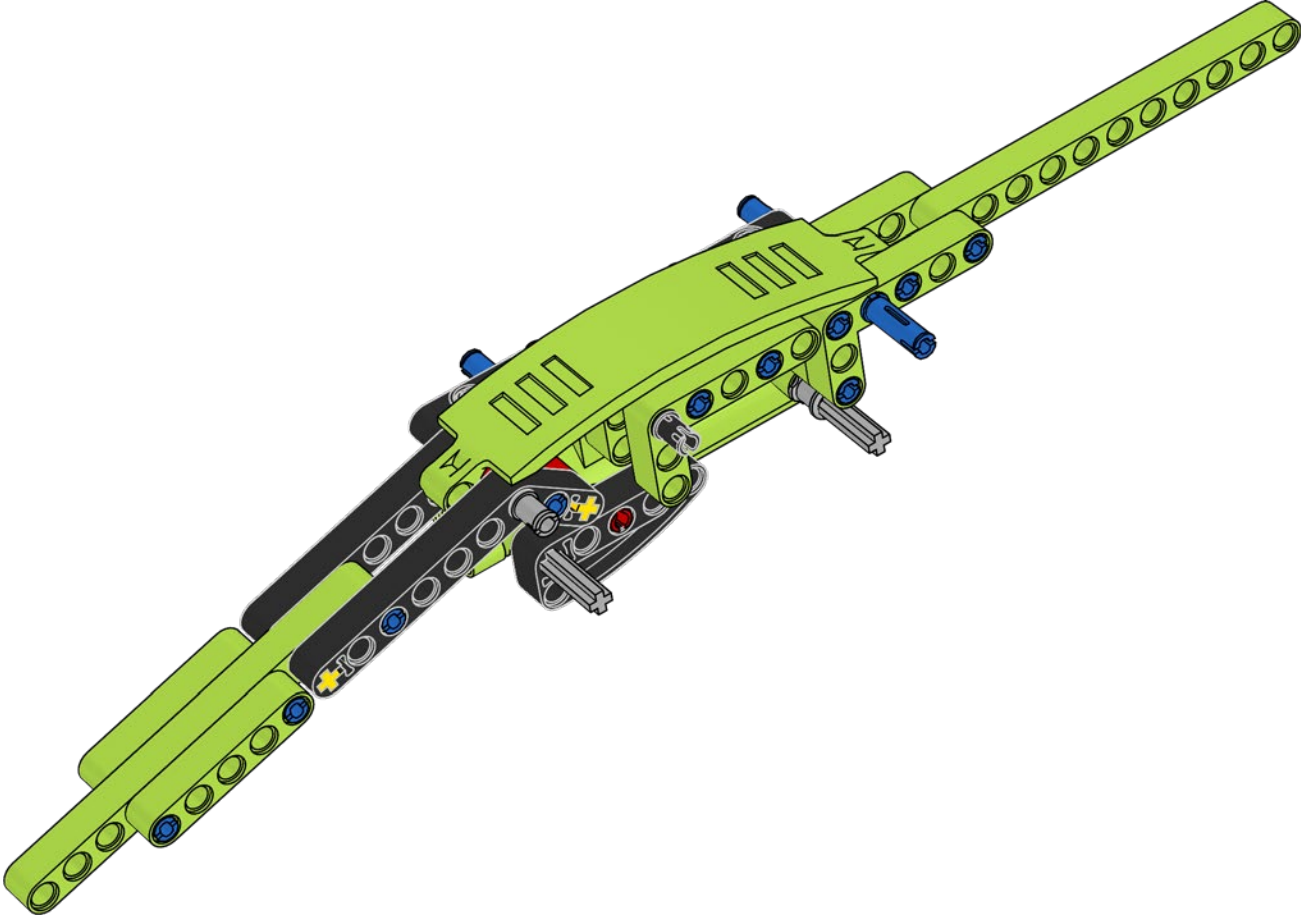


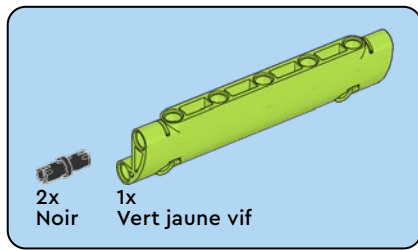
19



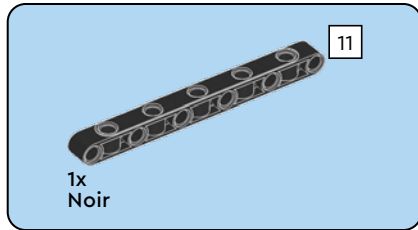
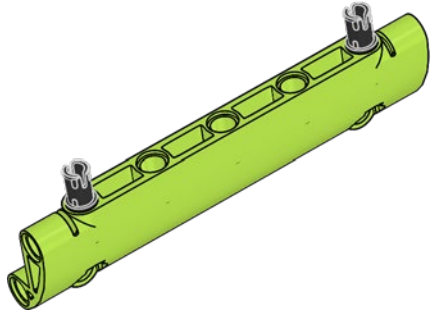


20

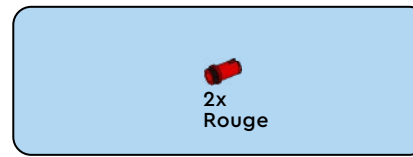
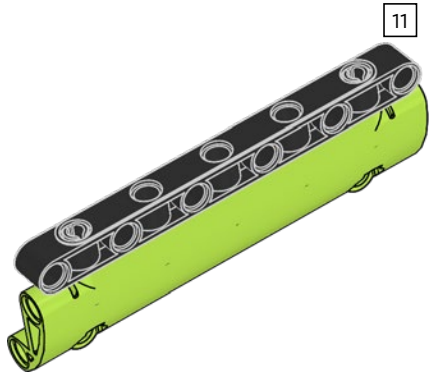




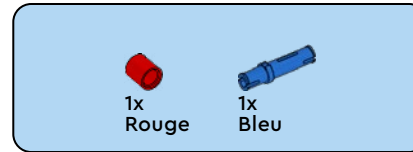
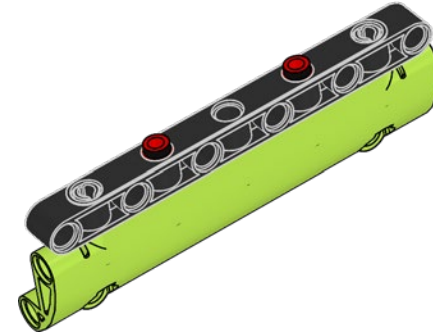
21



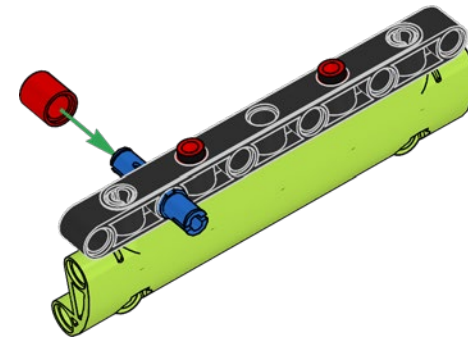
22



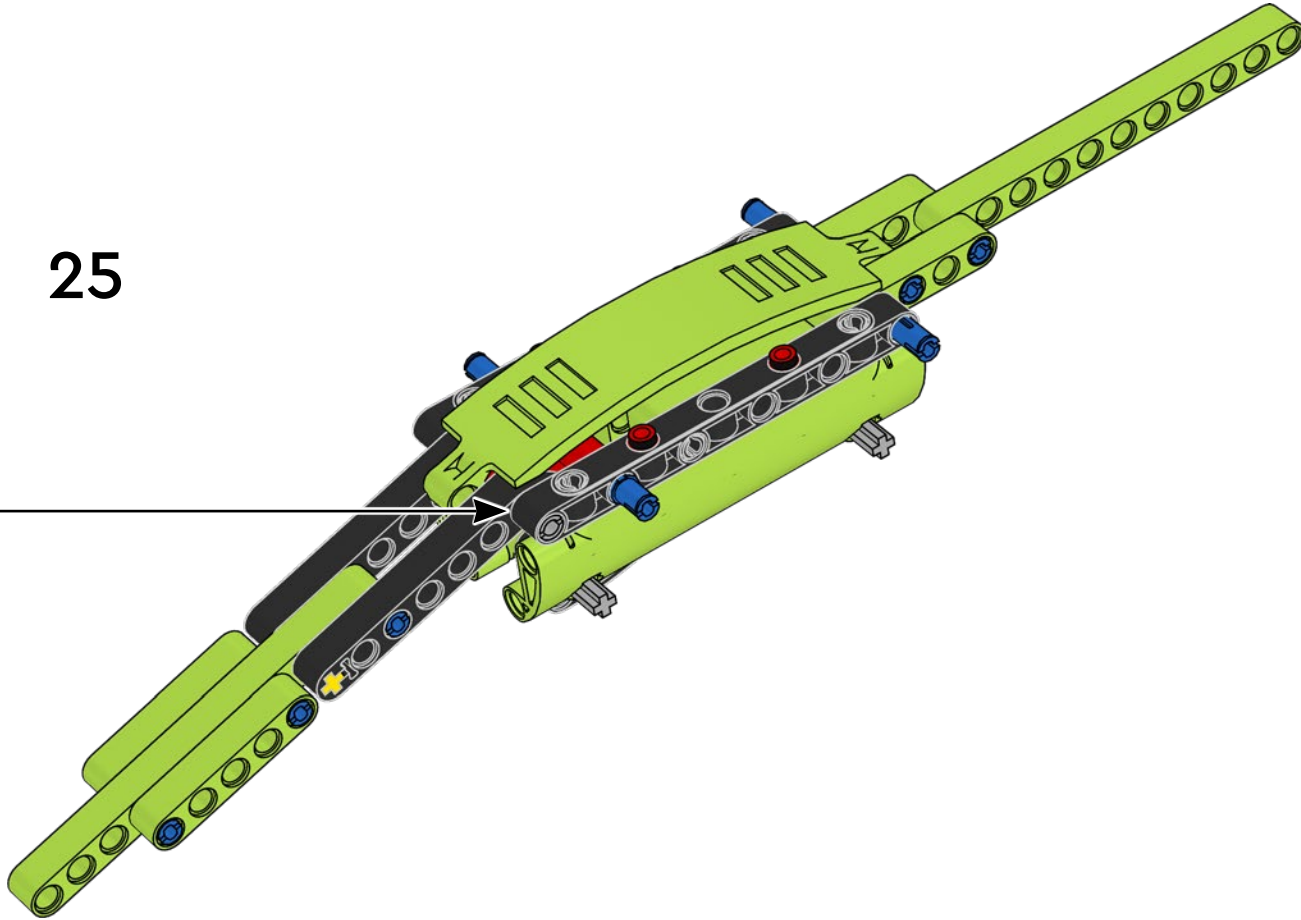
23



24



25

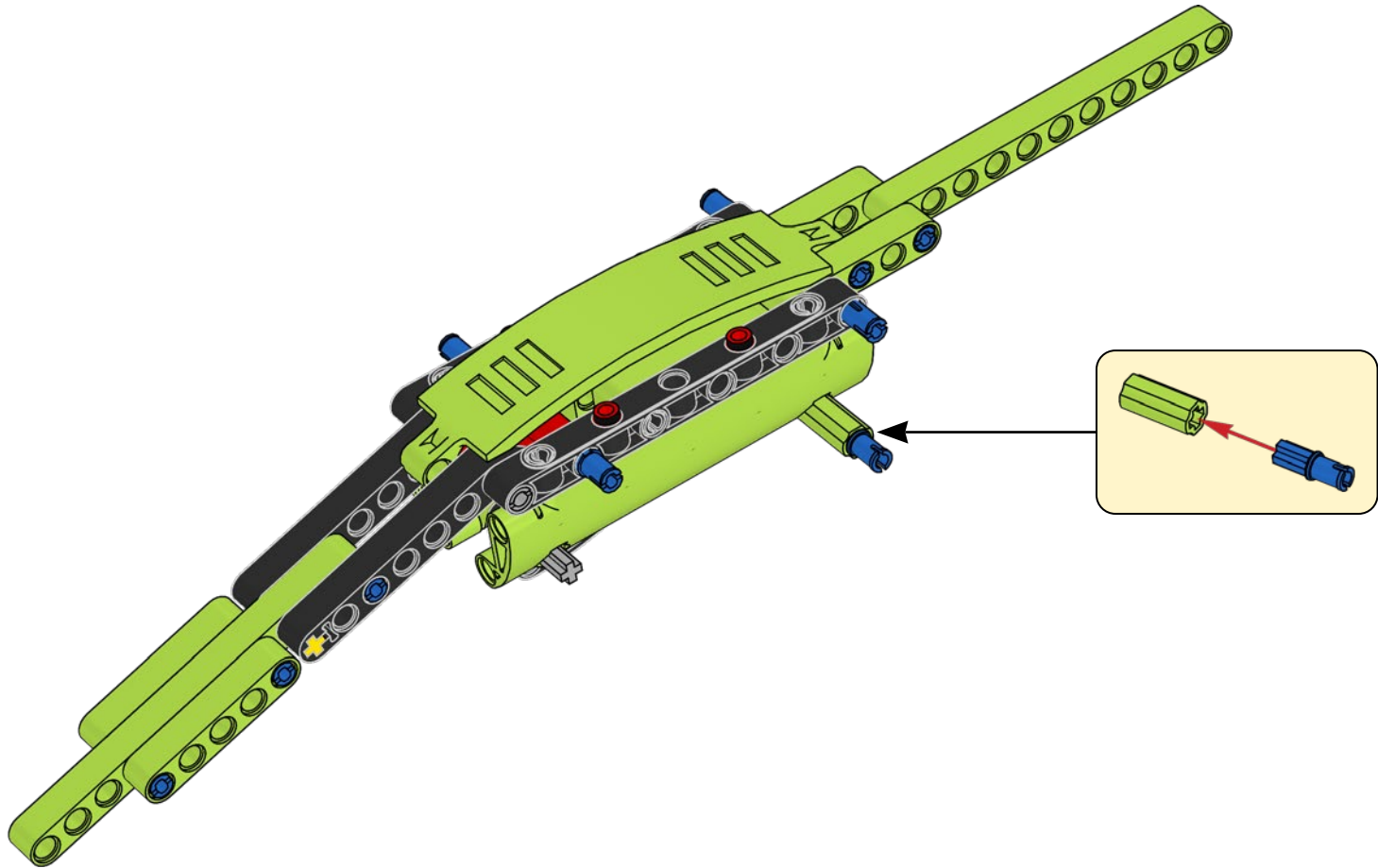


1x
Vert jaune vif

1x
Bleu



26

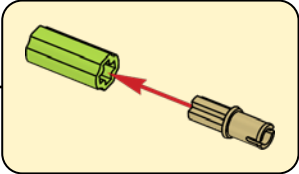
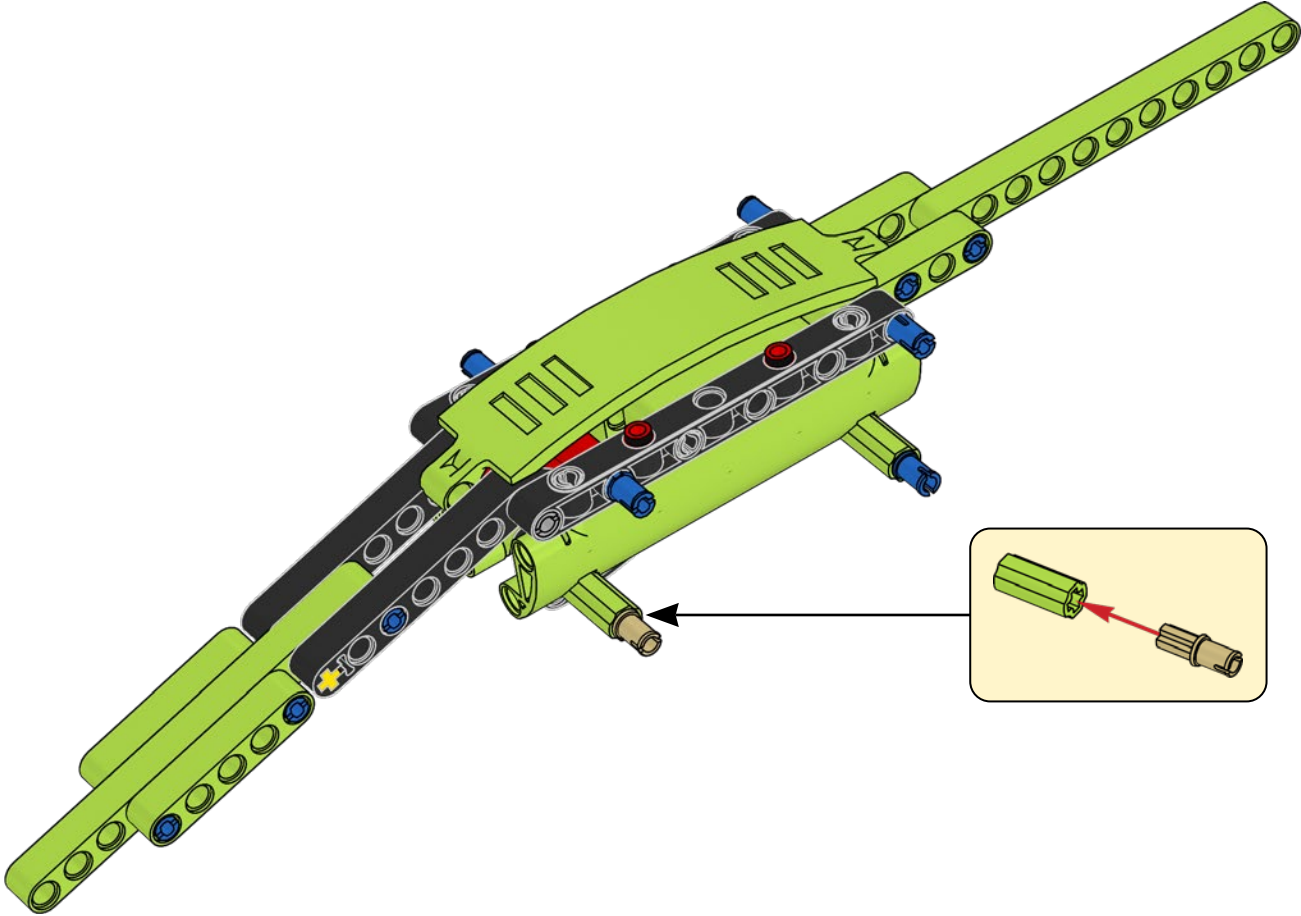


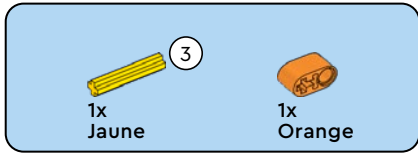
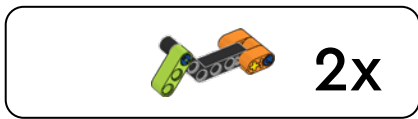
1x
Vert jaune vif

1x
Beige

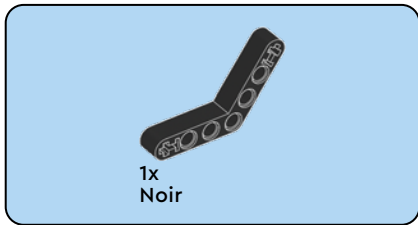


27

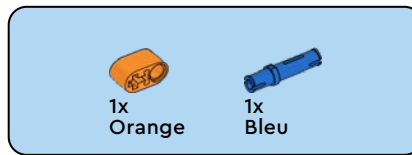
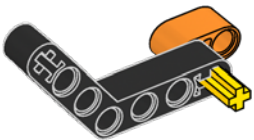




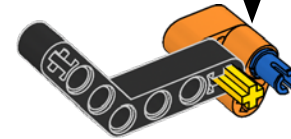
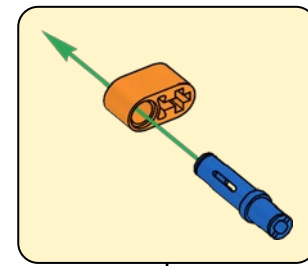
28



29

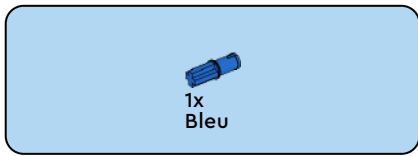


30



31

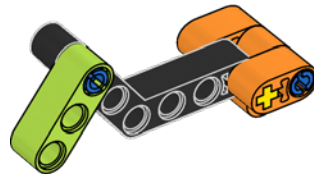




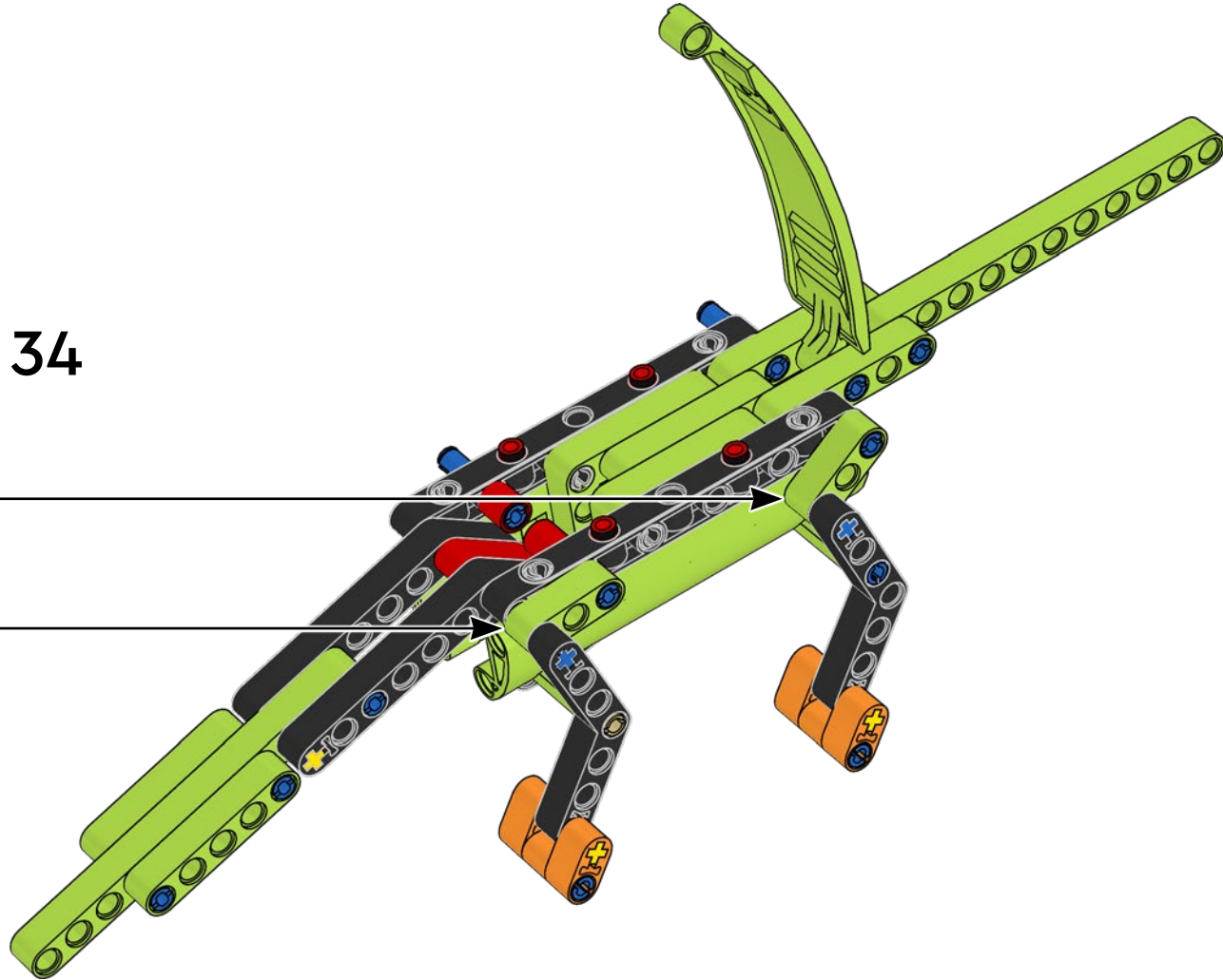
32



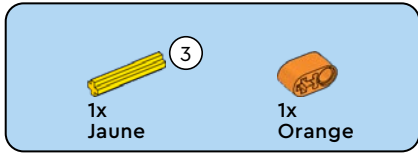
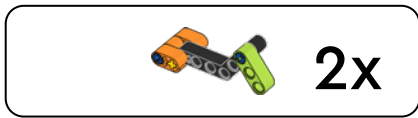
33



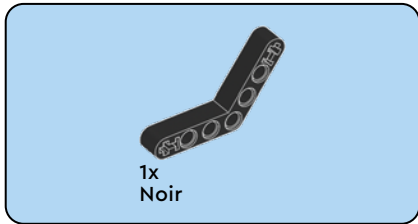
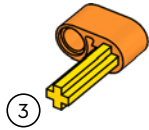
2x



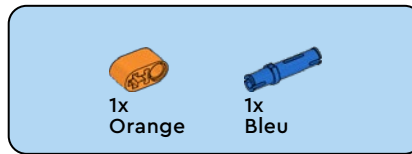
34



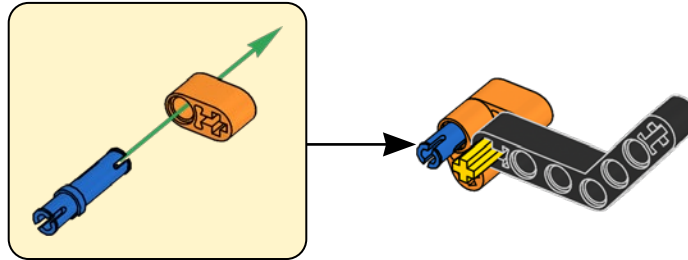
35



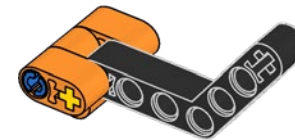
36

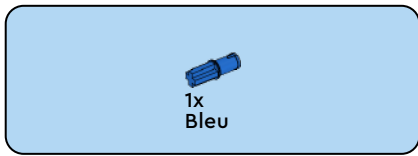


37

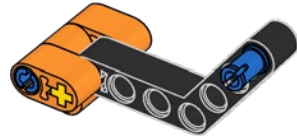


38

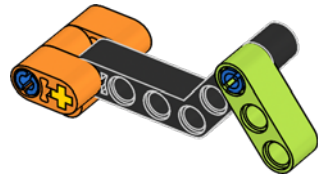




39

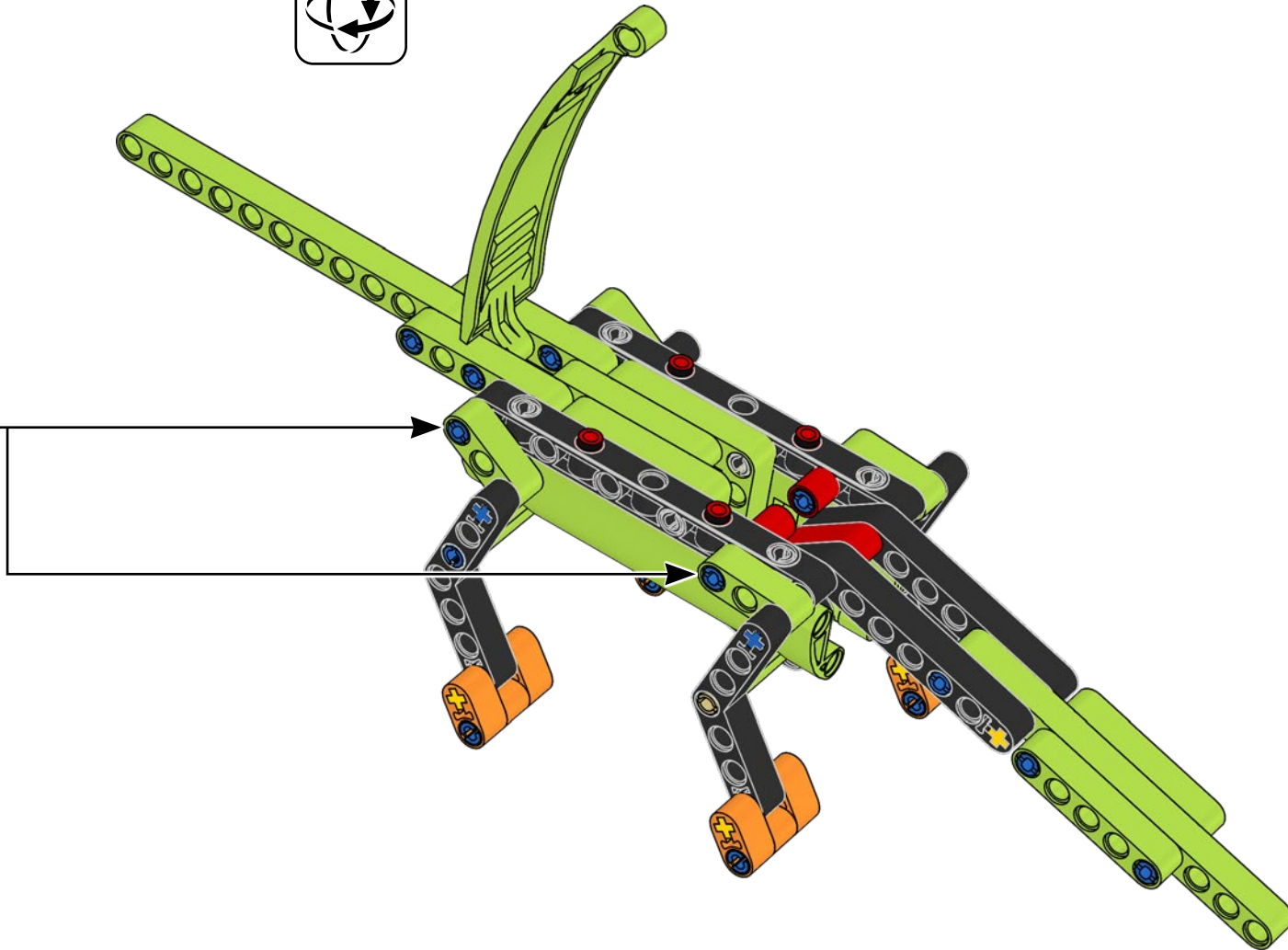


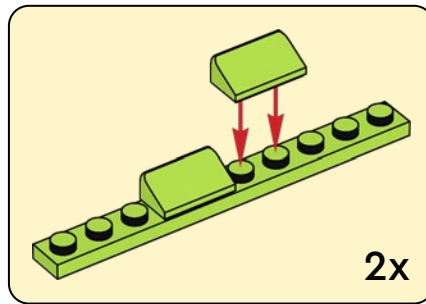
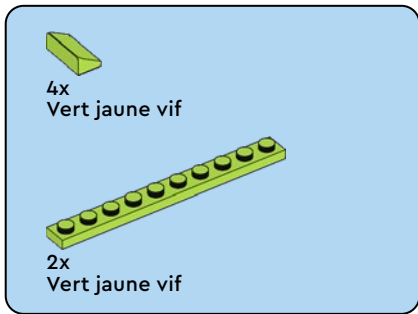
40



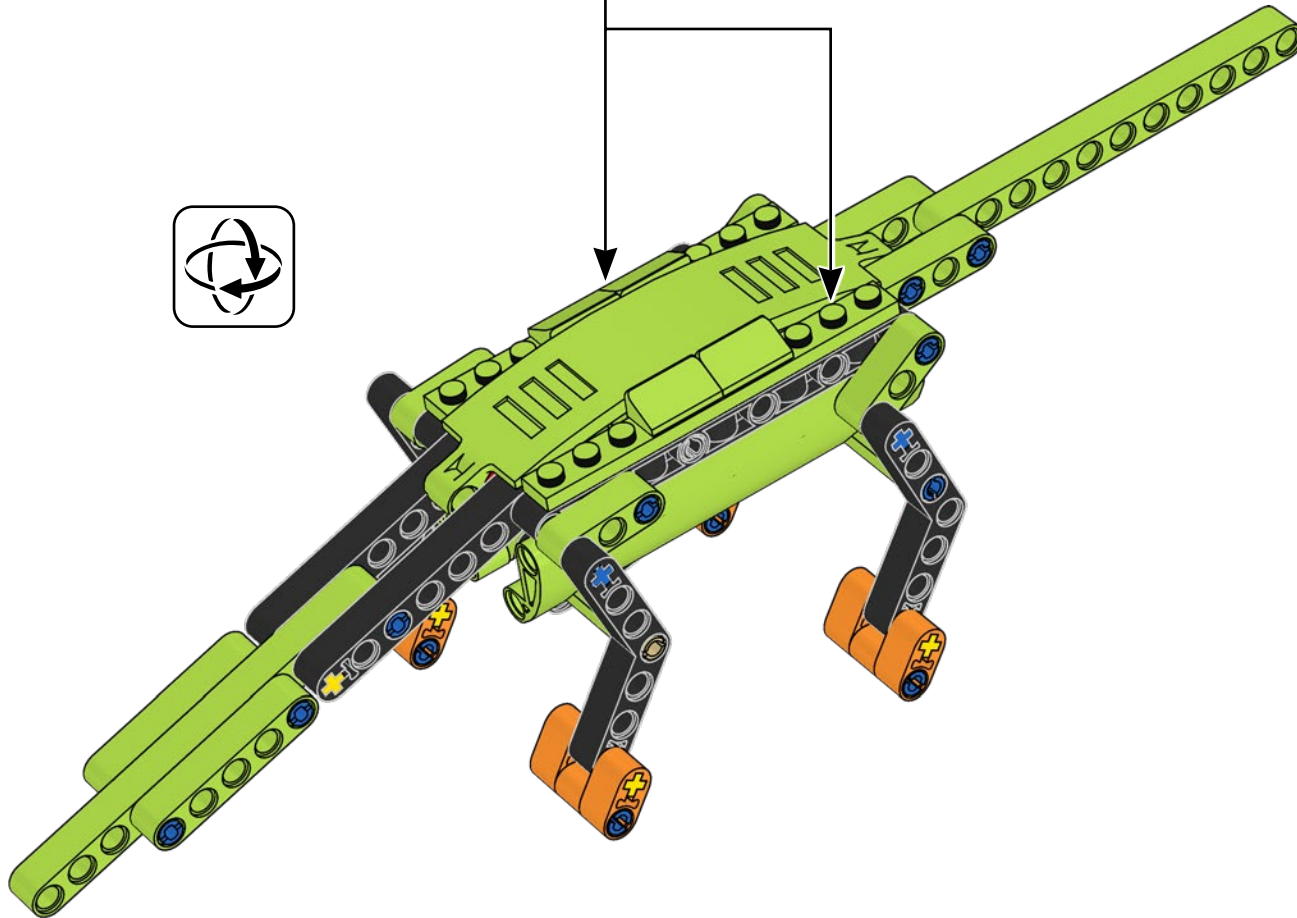
2x

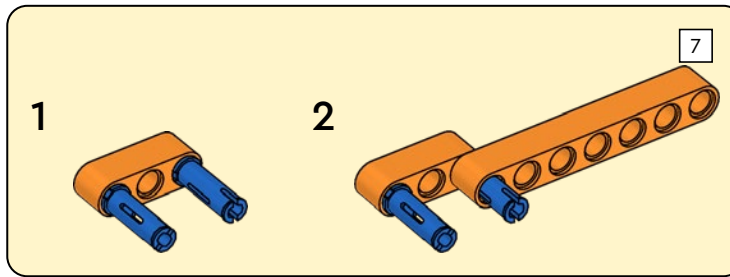
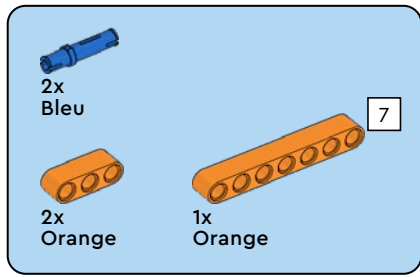
41



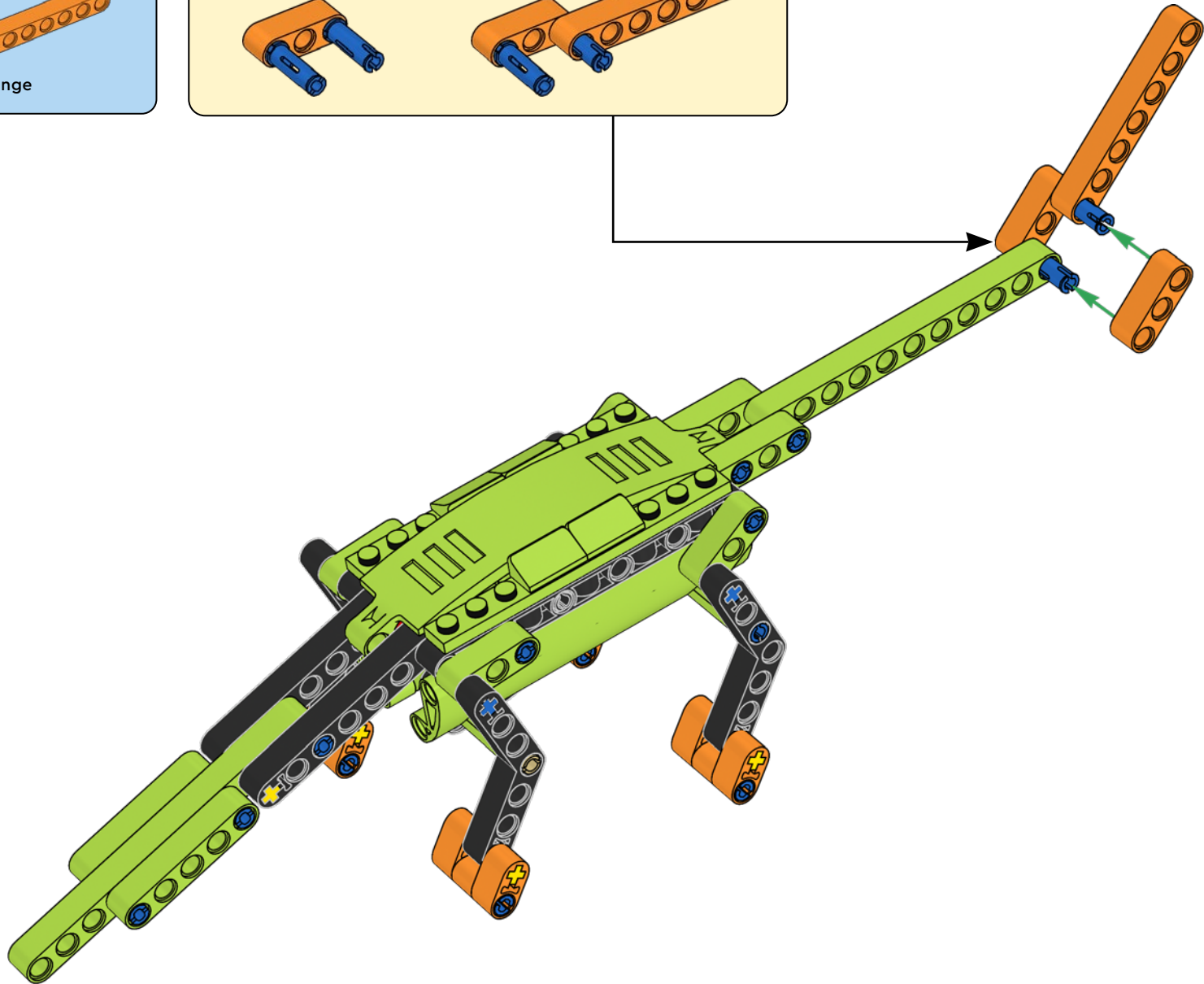


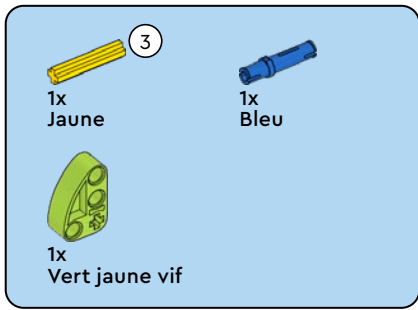
42



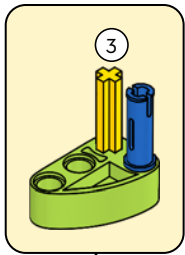


43





44



2x Vert jaune vif

3x Bleu

1x Vert jaune vif

1x Jaune ³

1x Vert jaune vif

1

2

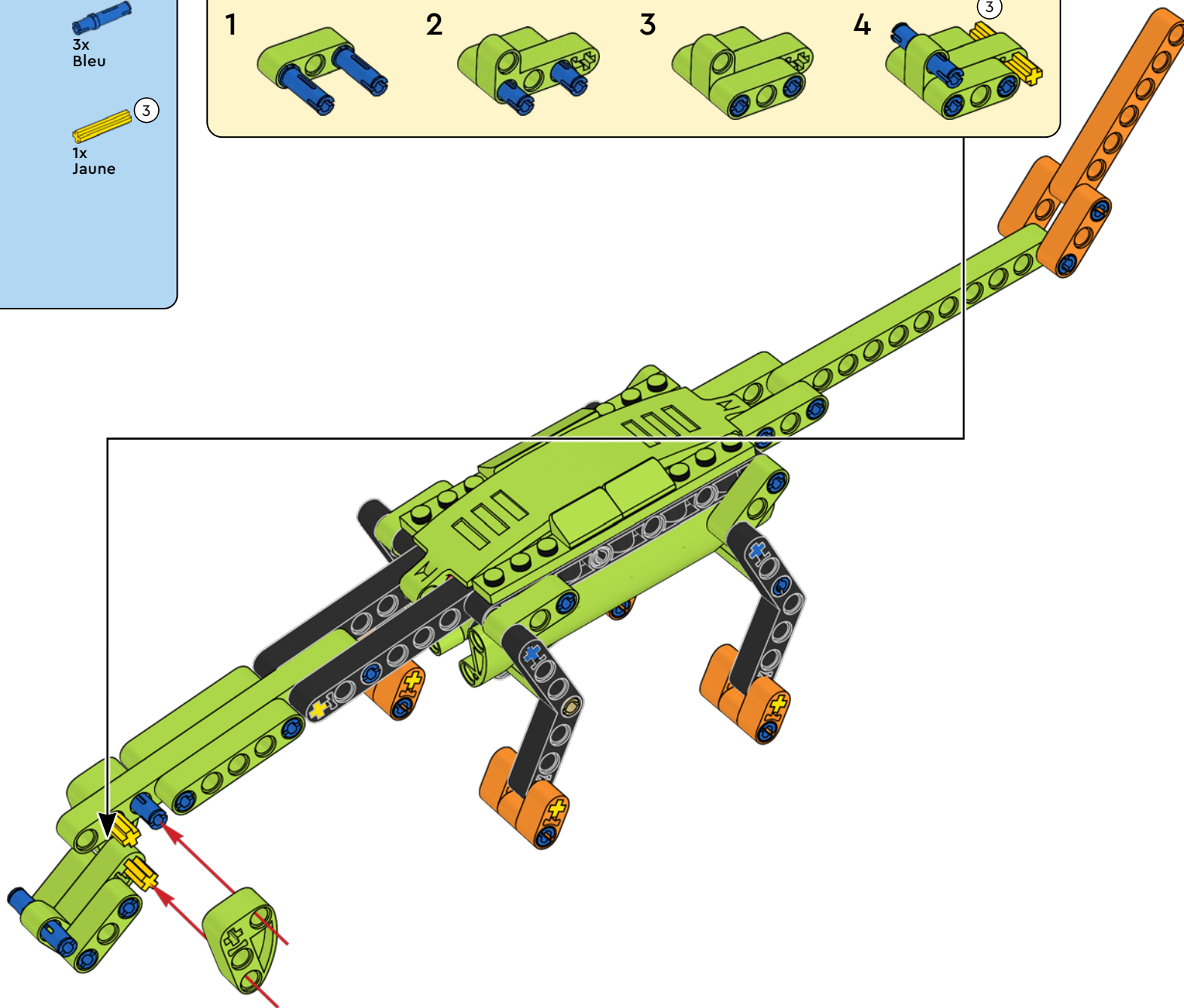
3

4

3



45





2x
Vert jaune vif

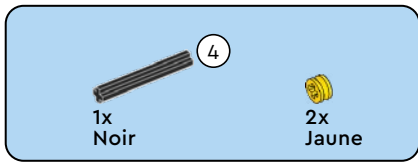
46



1x
Noir

4

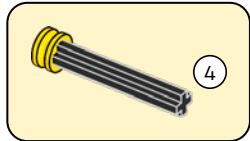
2x
Jaune



47



4





LEGO and the LEGO logo are trademarks of the/son des marques de commerce du/son marcas registradas de LEGO Group.
©2022 The LEGO Group.

FIRST™ is a registered trademark of For Inspiration and Recognition of Science and Technology (FIRST). LEGO® is a registered trademark of the LEGO Group. FIRST™, LEGO™, LEAGUE and SUPERPOWERED™ are jointly held trademarks of FIRST and the LEGO Group.

©2022 FIRST and the LEGO Group. All rights reserved.

