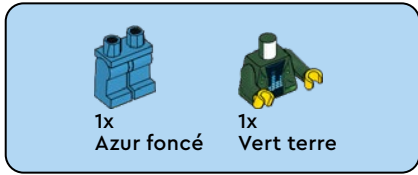
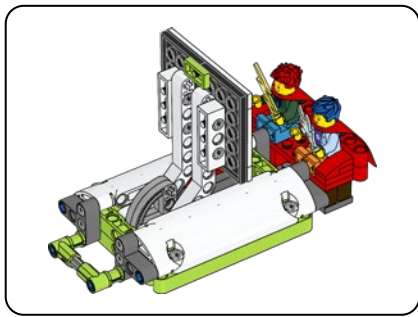
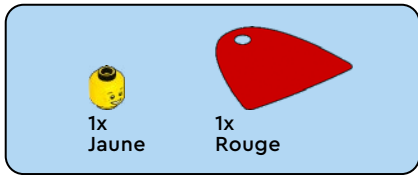
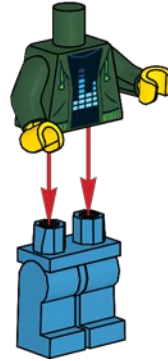


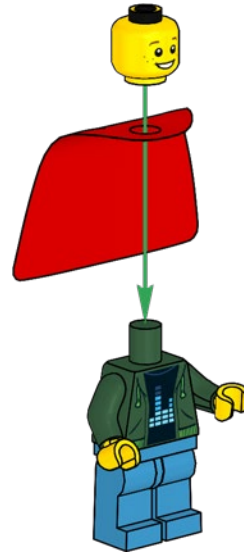
45820

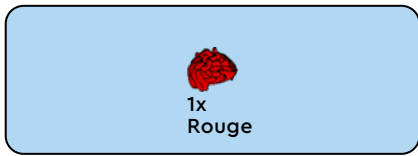


1

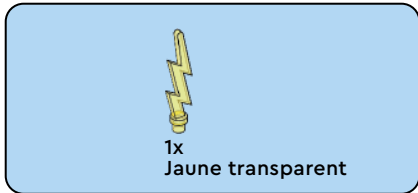


2





3

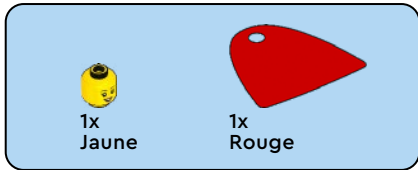
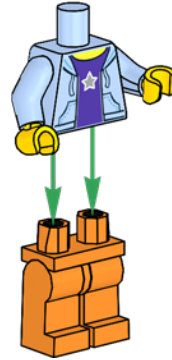


4

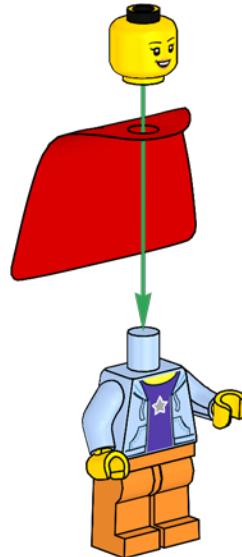




1



2





1x
Bleu

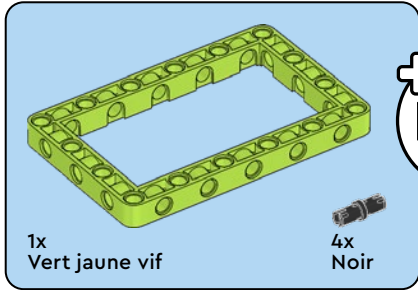
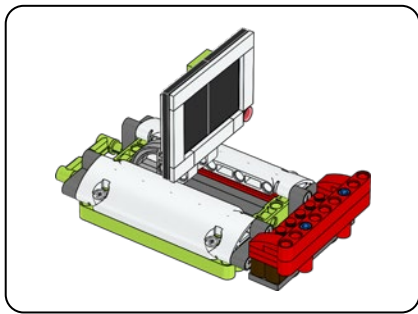
3



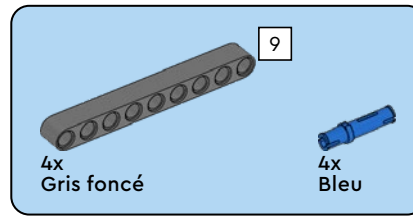
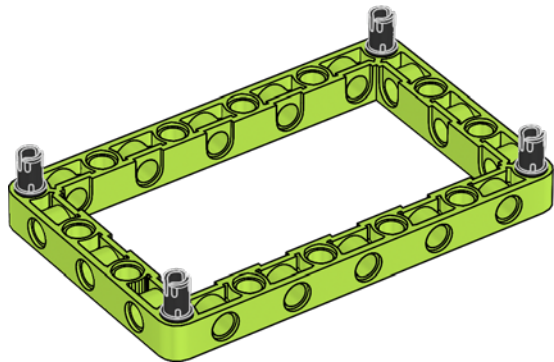
1x
Bleu pâle transparent à paillettes

4

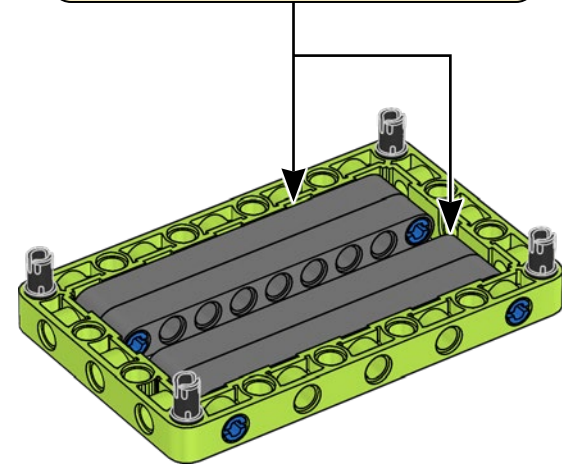
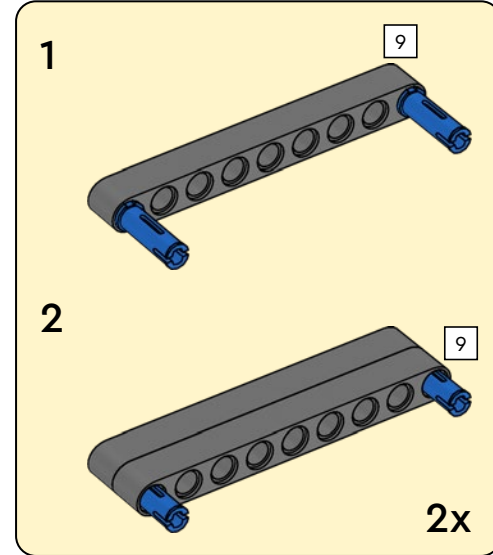


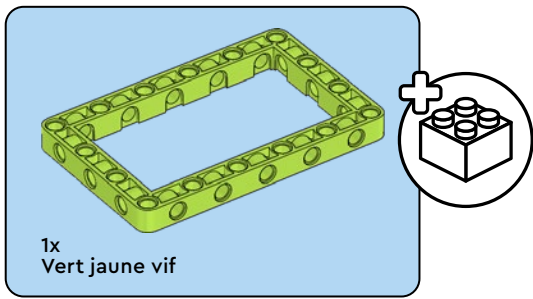


1

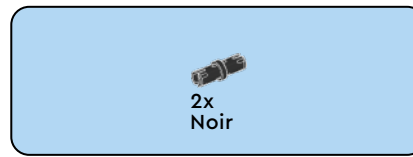
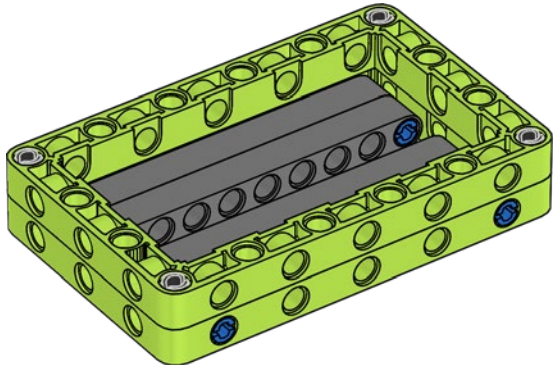


2

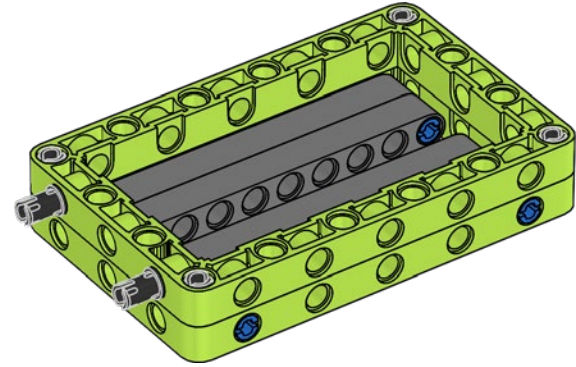




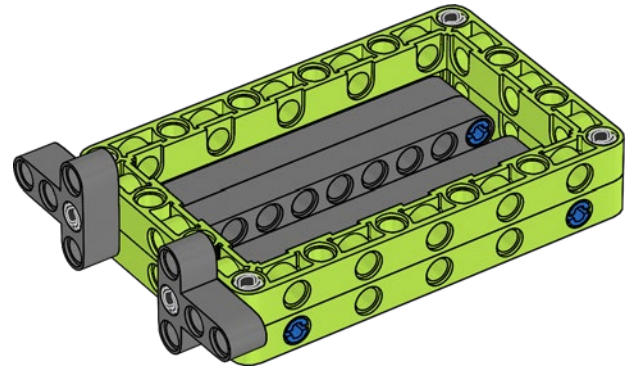
3



4

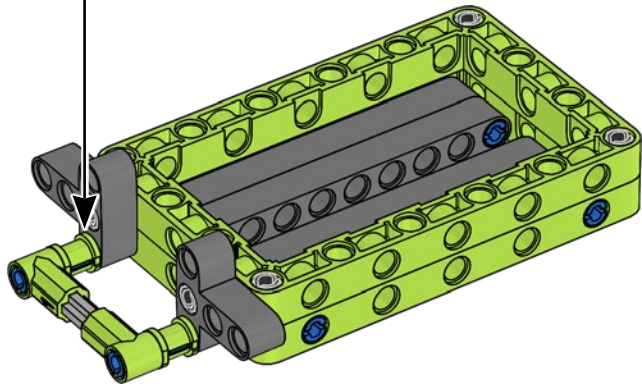
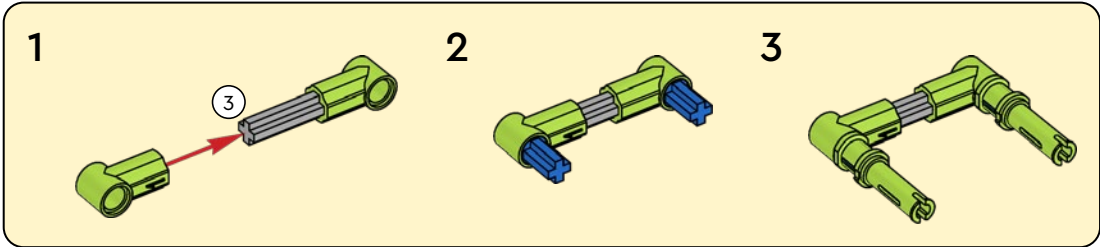


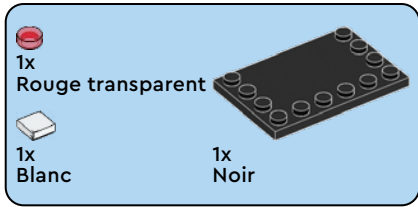
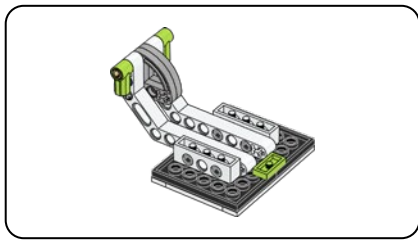
5



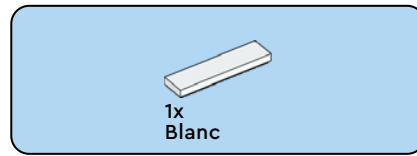
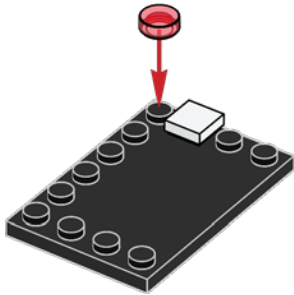
- 2x Bleu
 - 2x Vert jaune vif
 - 1x Gris moyen
 - 2x Vert jaune vif
- 3

6

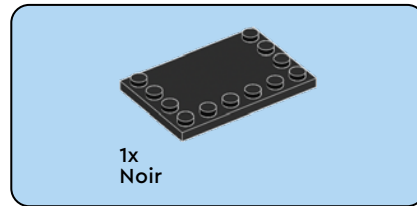
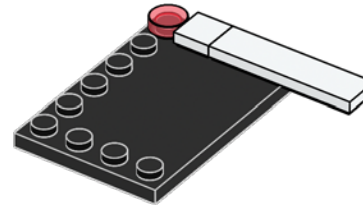




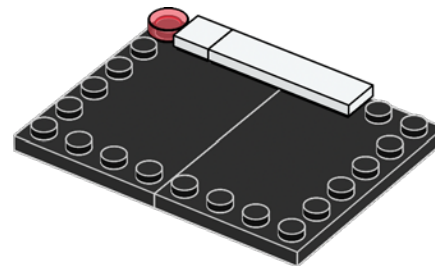
7

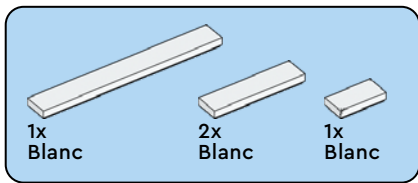


8

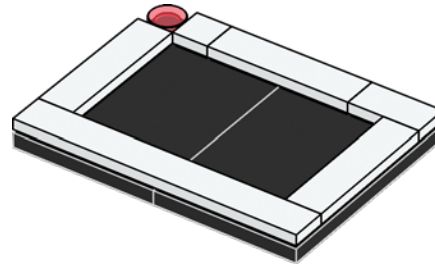


9

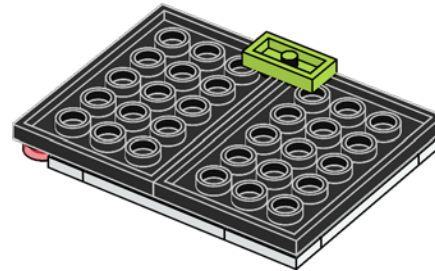


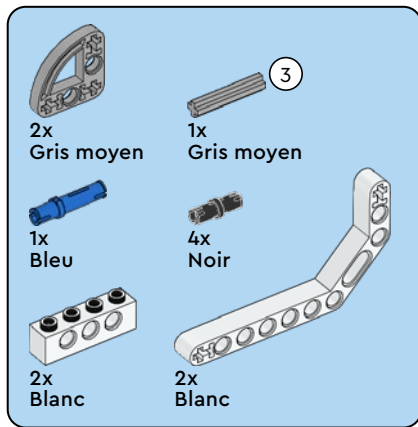


10

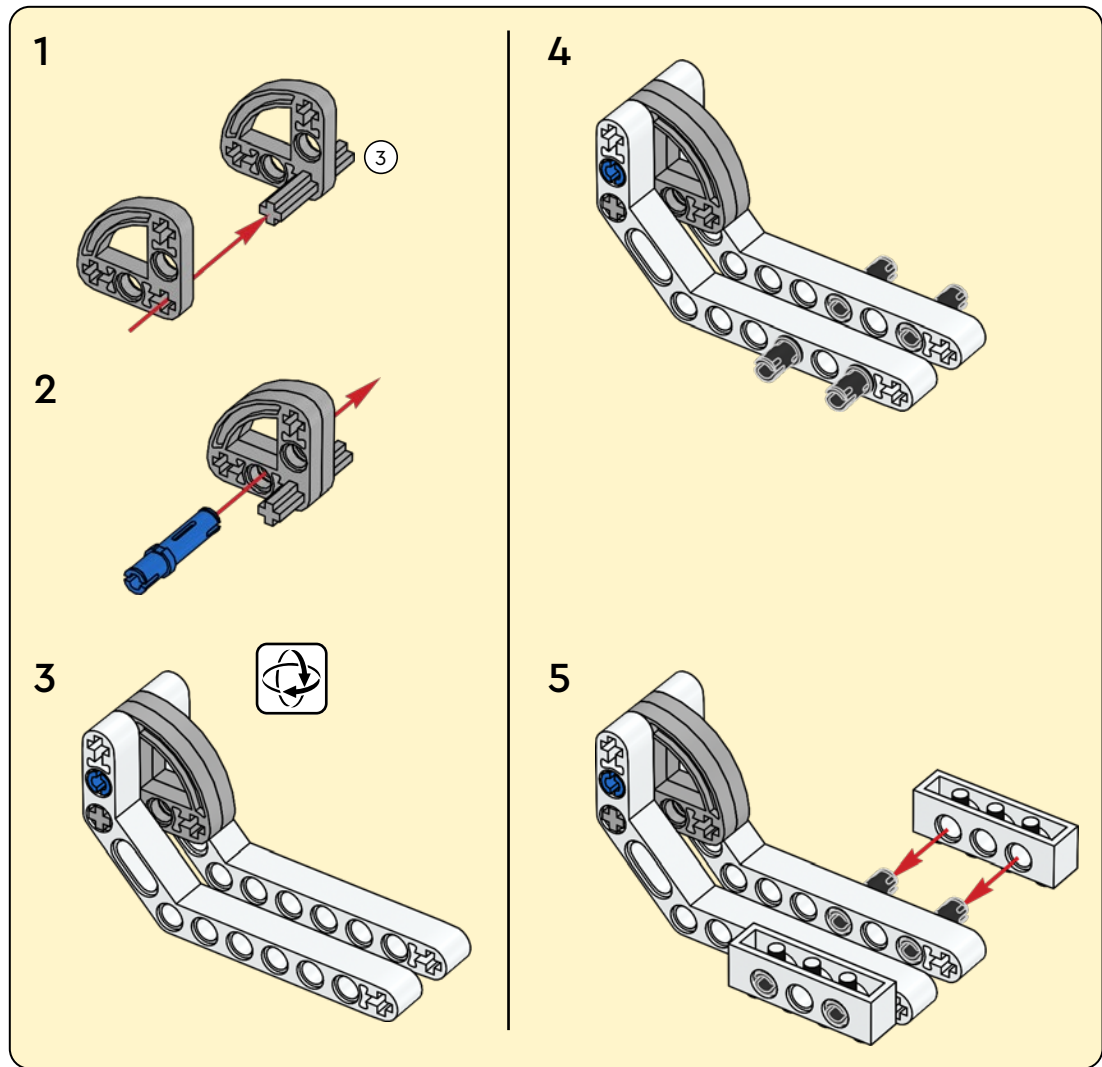
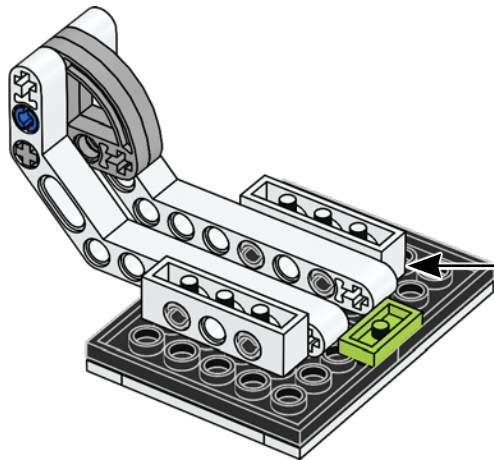


11





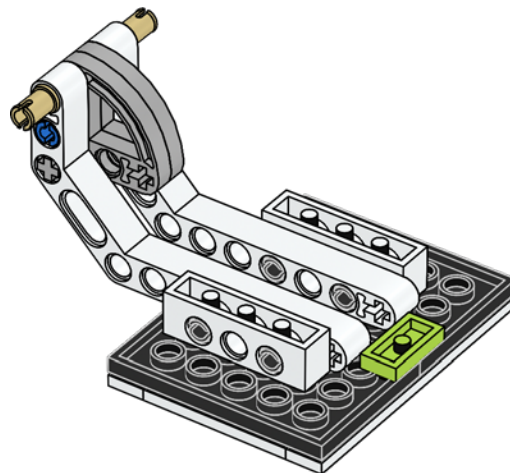
12





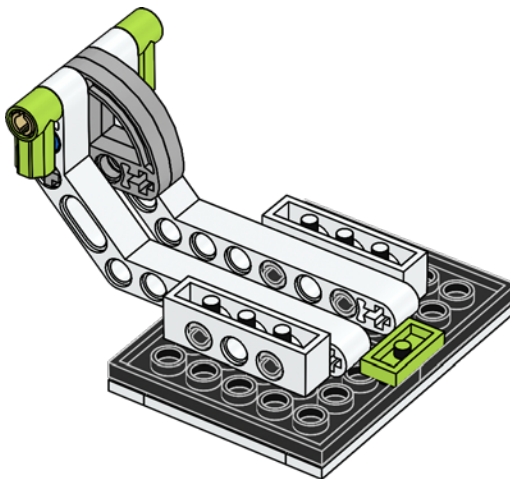
2x
Beige

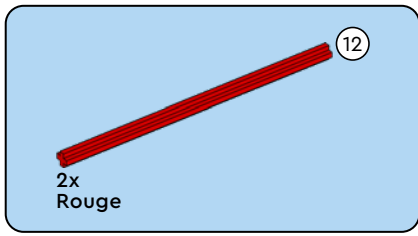
13



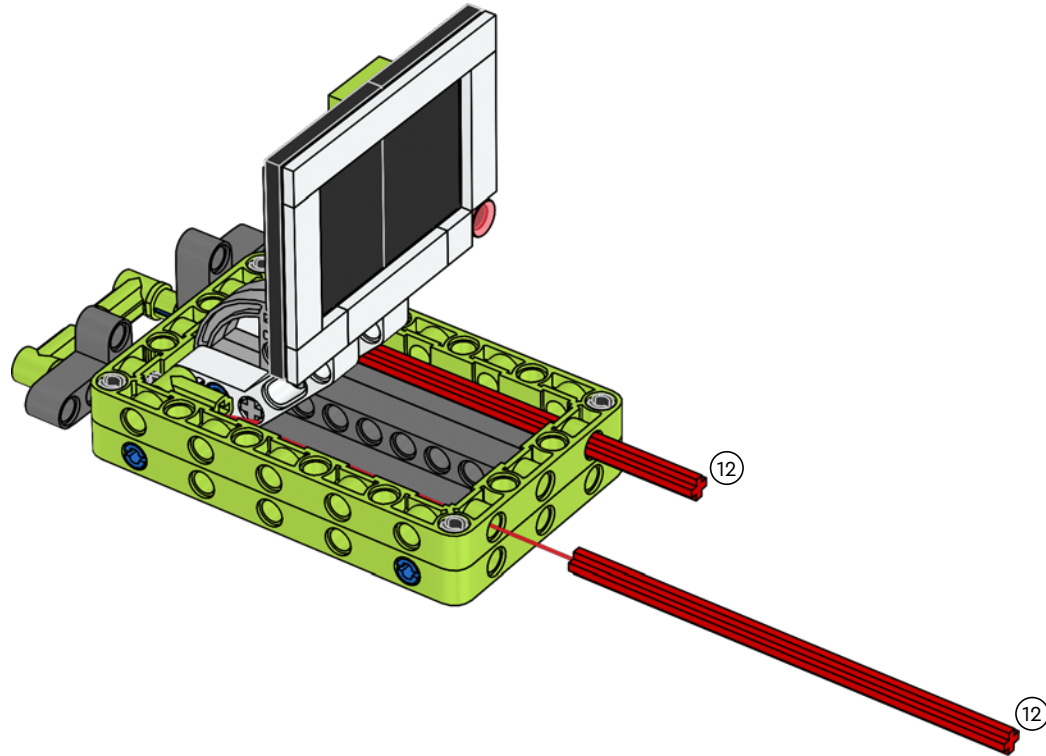
2x
Vert jaune vif

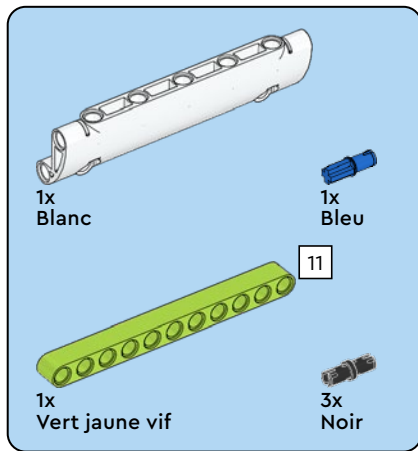
14



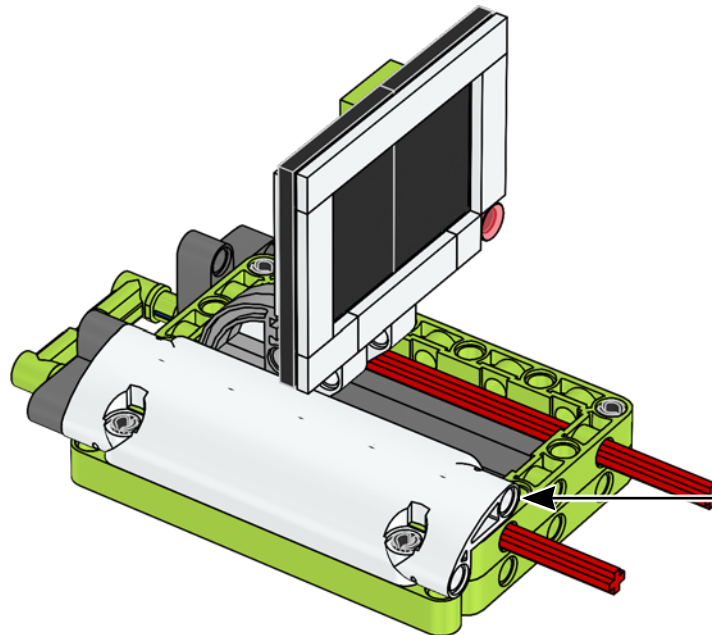
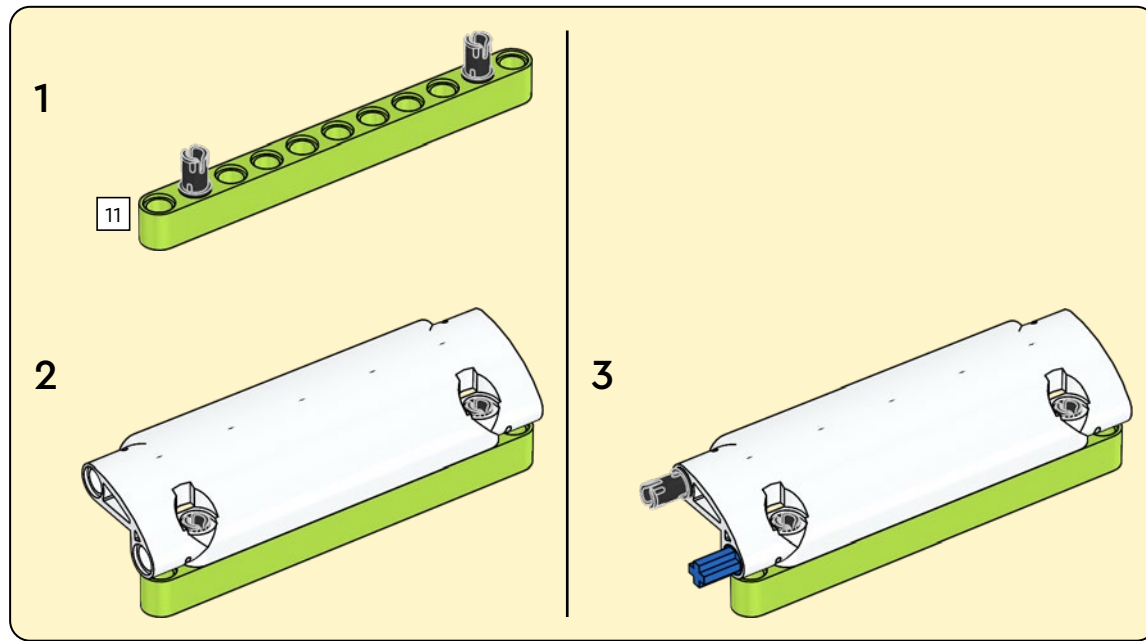


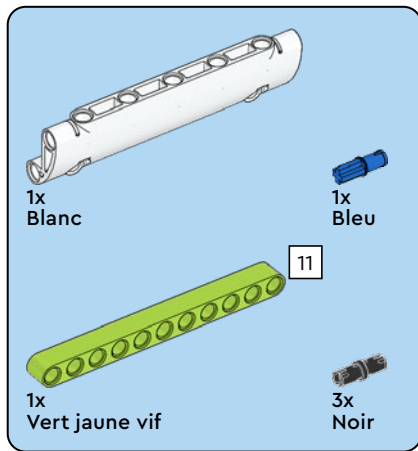
15



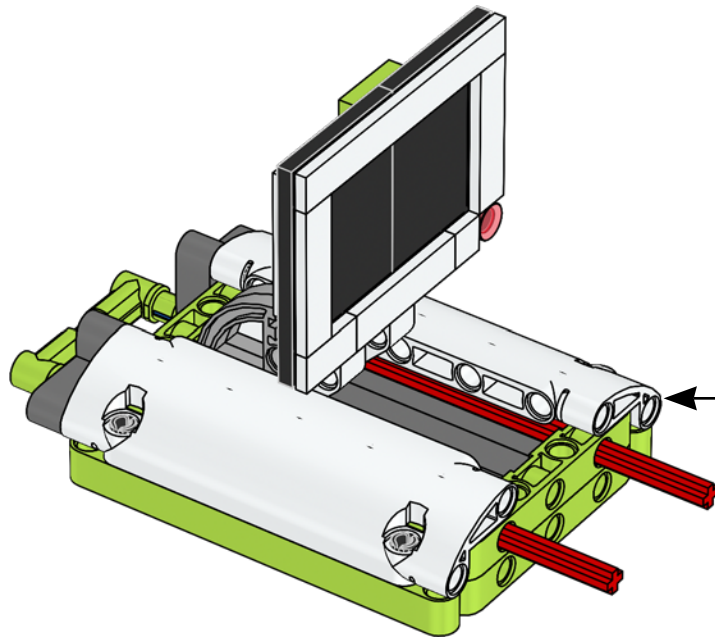
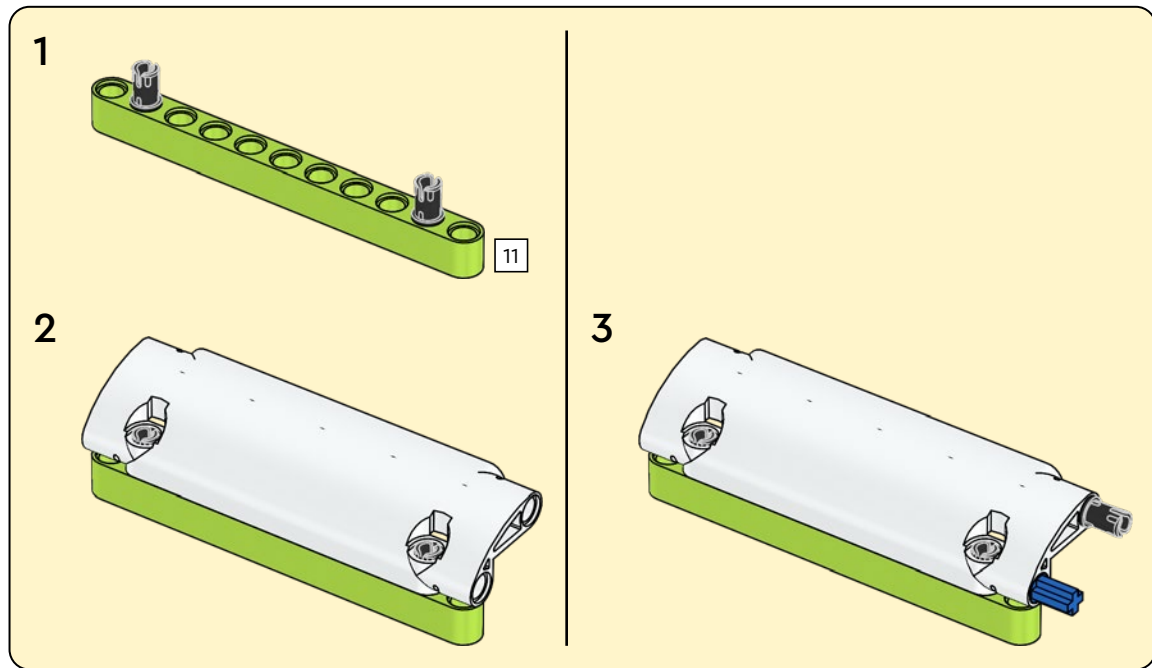


16



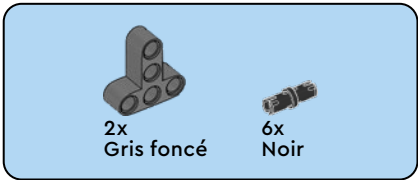


17

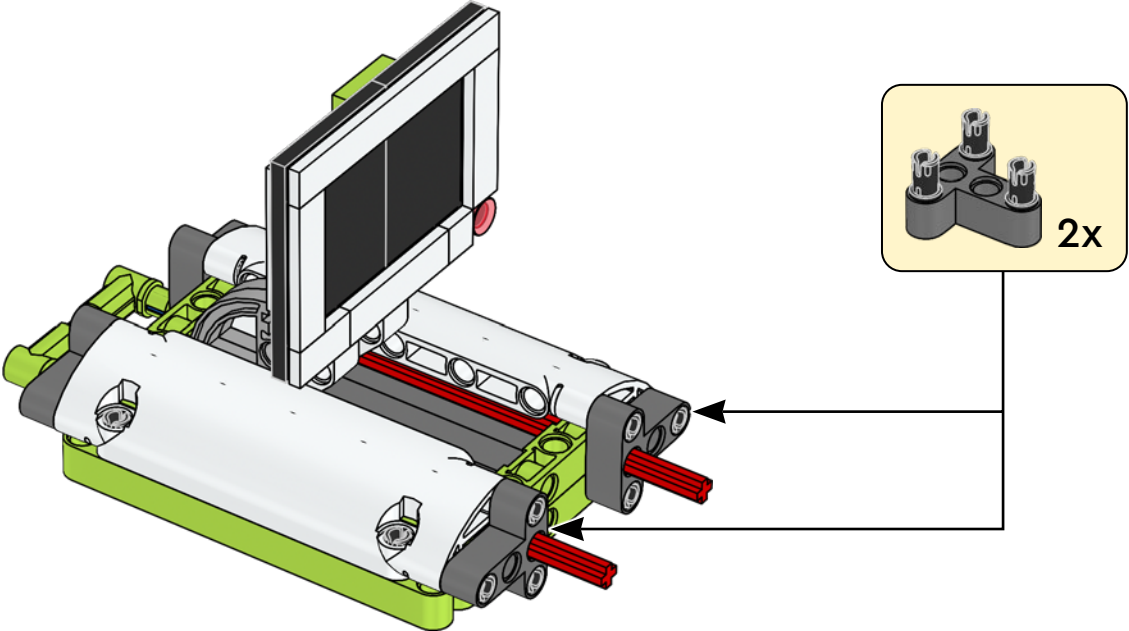


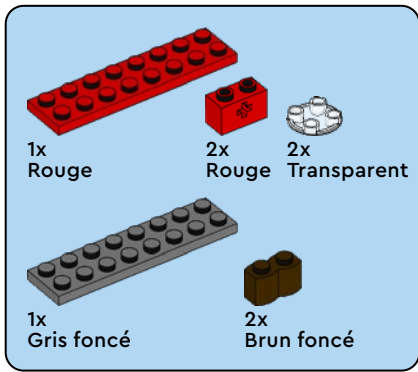
2x
Gris foncé

6x
Noir

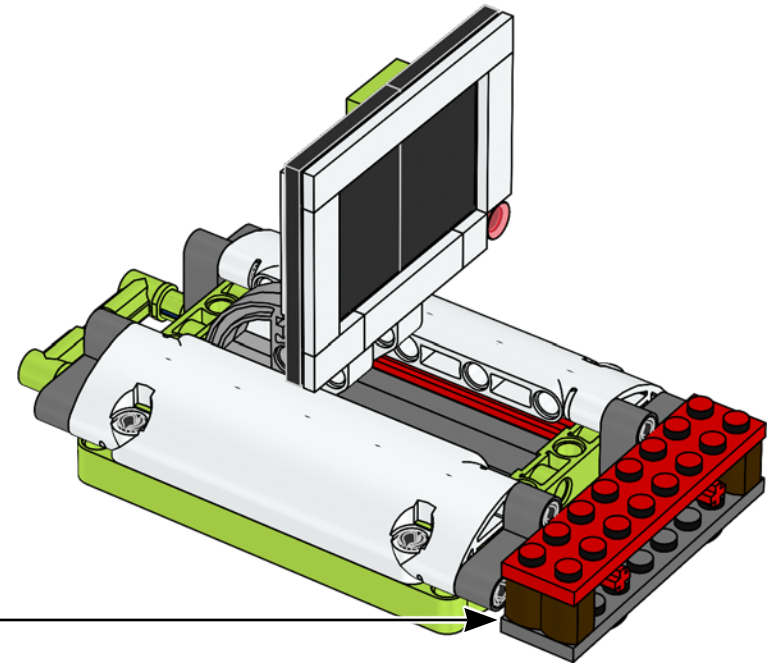
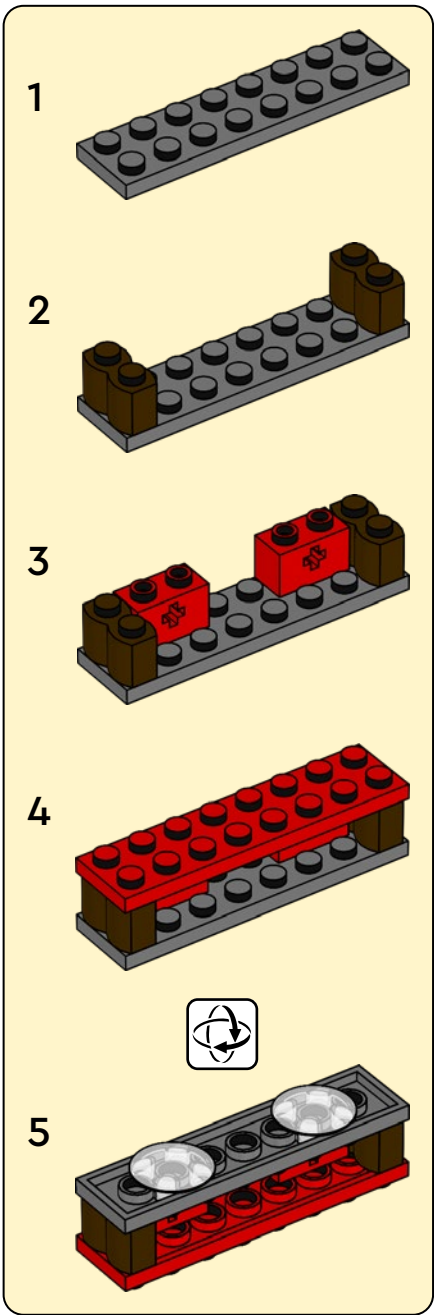


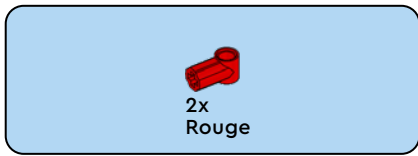
18



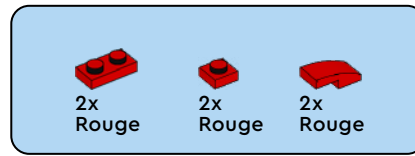
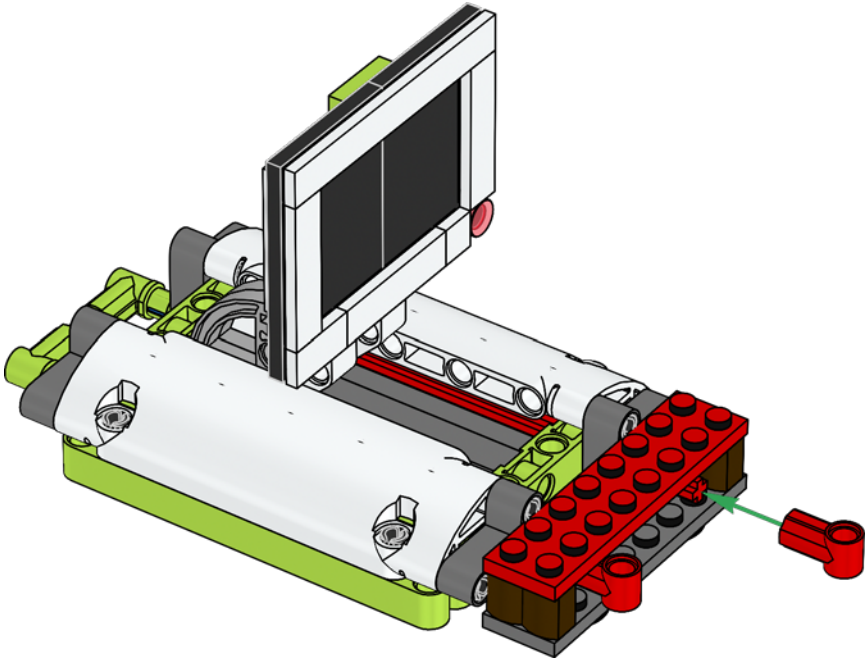


19

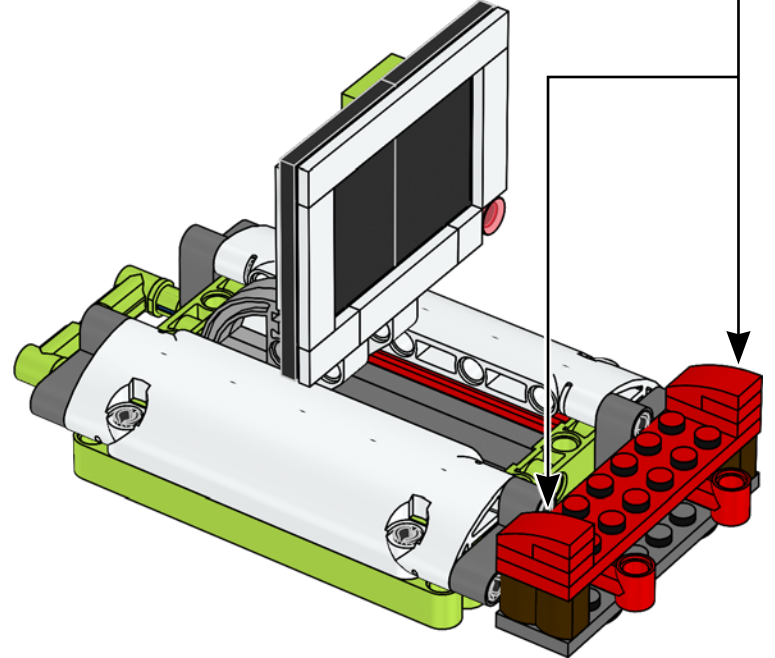
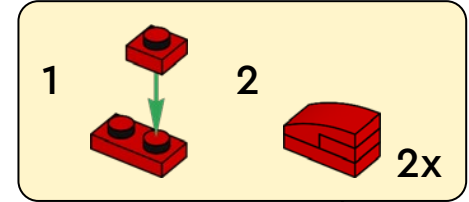


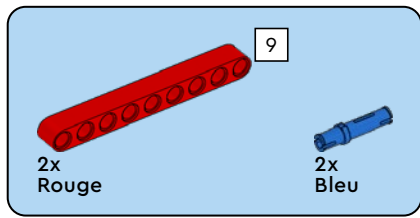


20

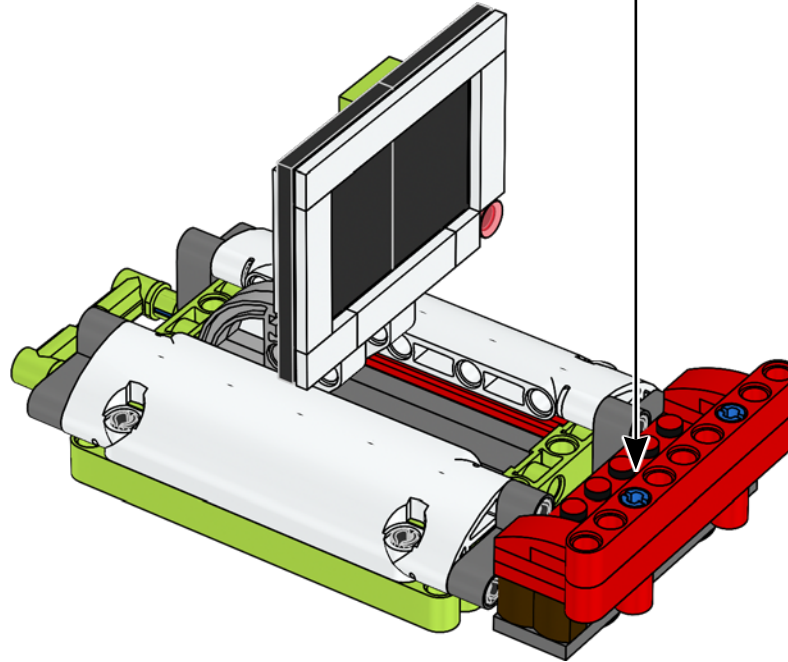
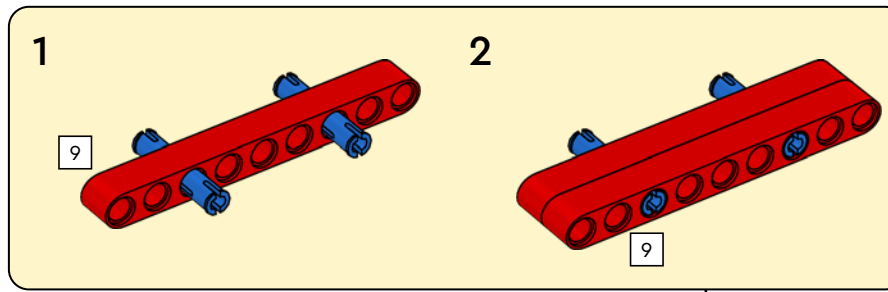


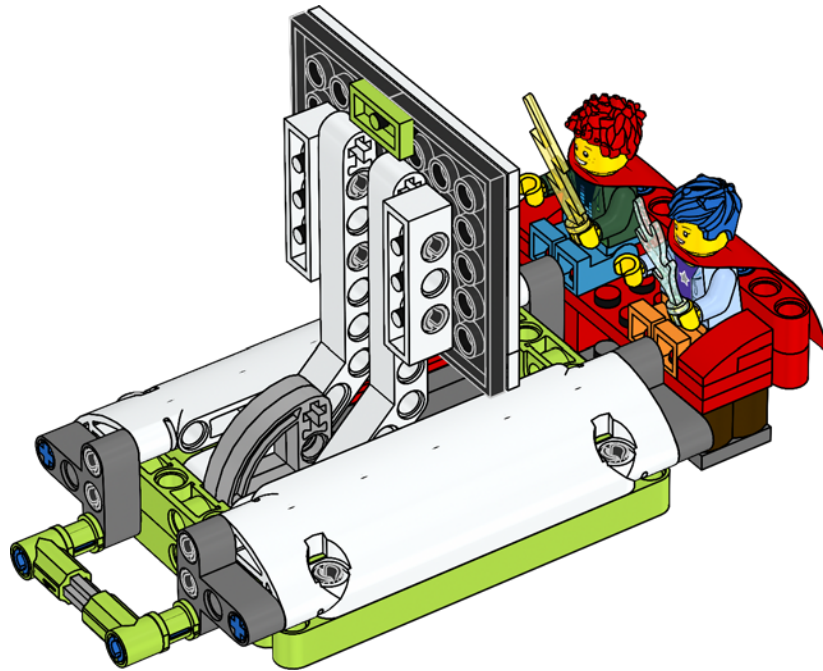
21





22





LEGO and the LEGO logo are trademarks of the/sont des marques de commerce du/son marcas registradas de LEGO Group. ©2022 The LEGO Group.

FIRST™ is a registered trademark of For Inspiration and Recognition of Science and Technology (FIRST). LEGO® is a registered trademark of the LEGO Group. FIRST™ LEGO® League and SUPERPOWERED™ are jointly held trademarks of FIRST and the LEGO Group.

©2022 FIRST and the LEGO Group. All rights reserved.