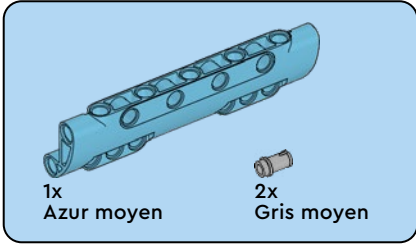
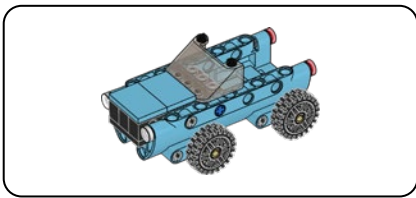
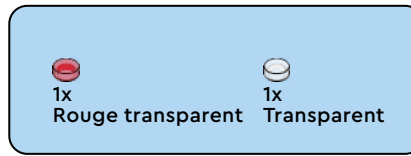
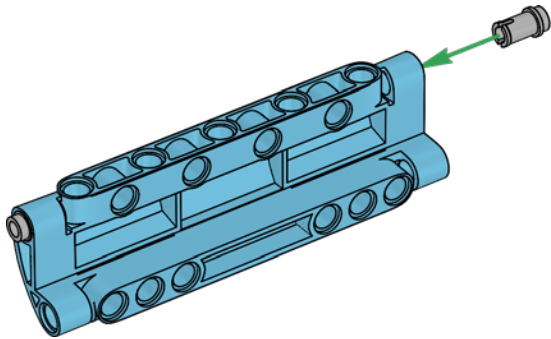


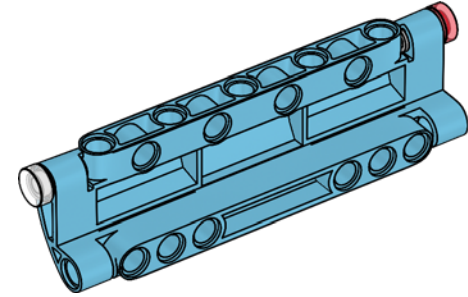
45820



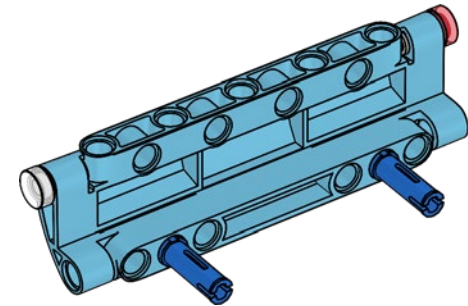
1

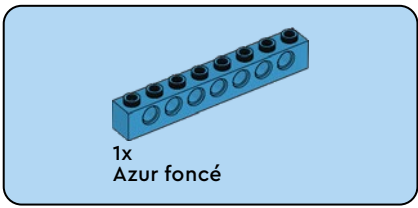


2

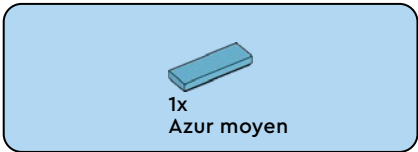
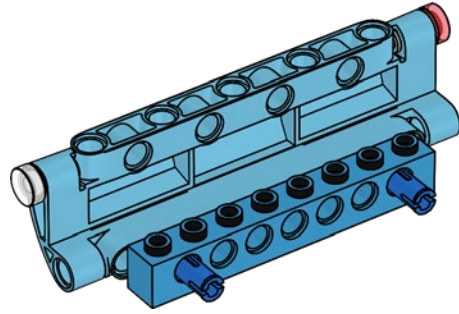


3

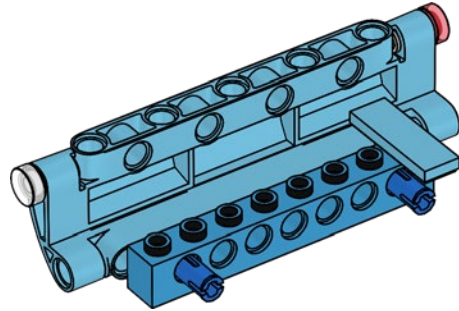




4



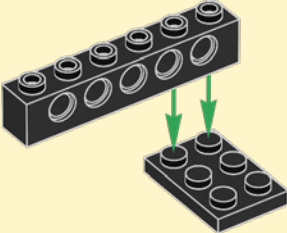
5

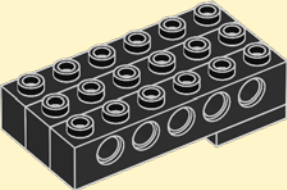


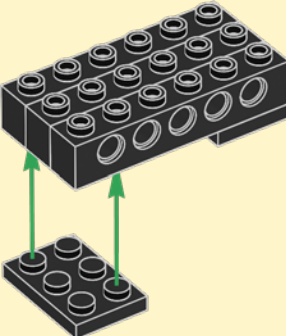
2x Bleu  
2x Azur moyen

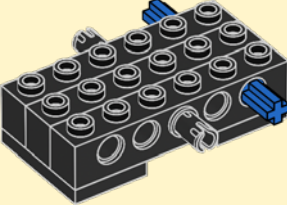
2x Noir  
2x Noir  
3x Noir

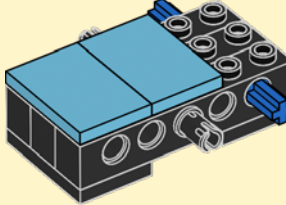
# 6

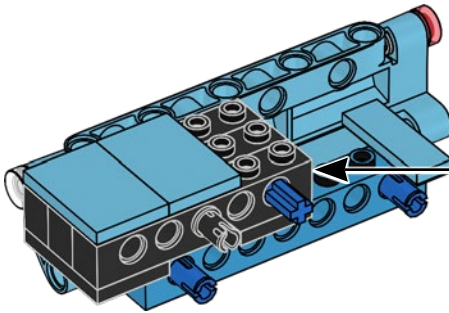
1 

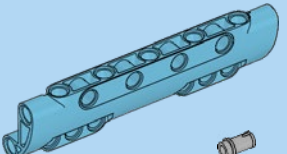



2 

3 

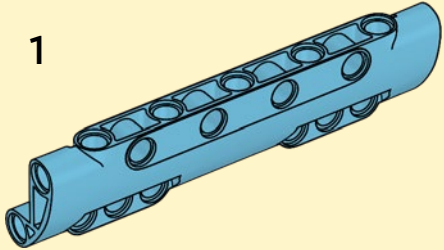
4 

5 

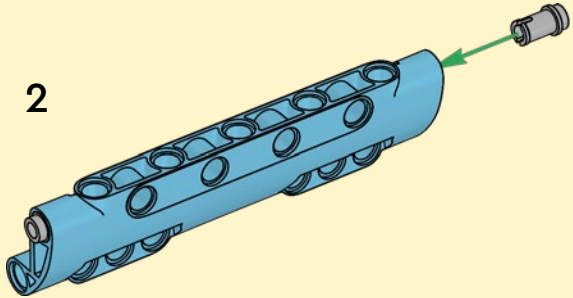


|   |   |
|---|---|
|   |  |
| 1x<br>Azur moyen  | 2x<br>Gris moyen  |
|  |  |
| 1x<br>Rouge transparent   | 1x<br>Transparent   |

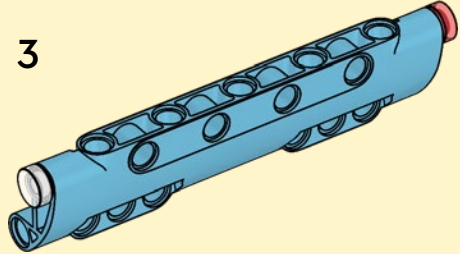
# 7



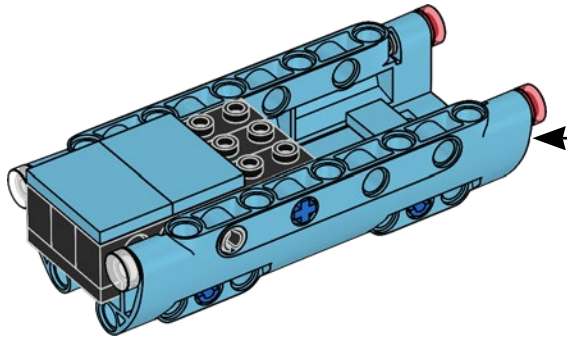
1



2

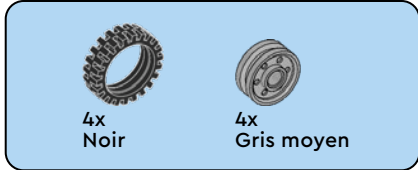
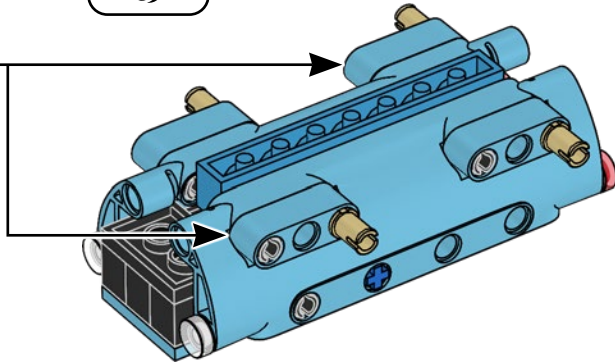
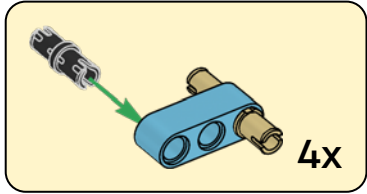


3

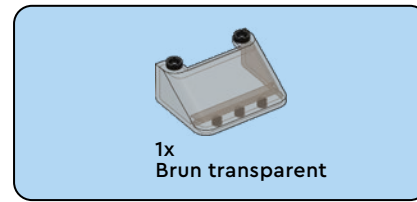
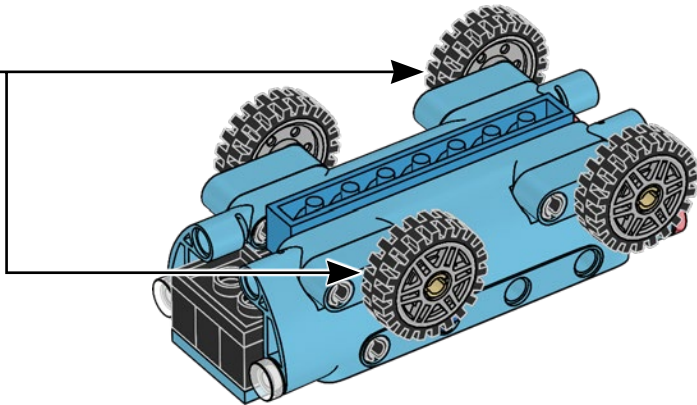
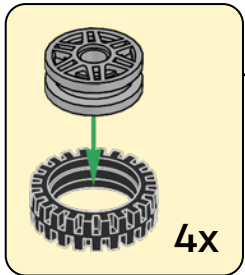




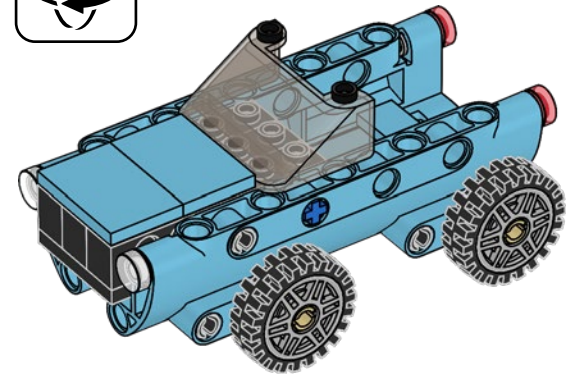
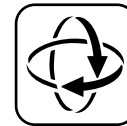
8

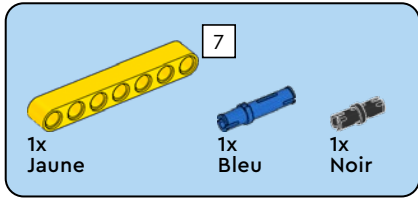
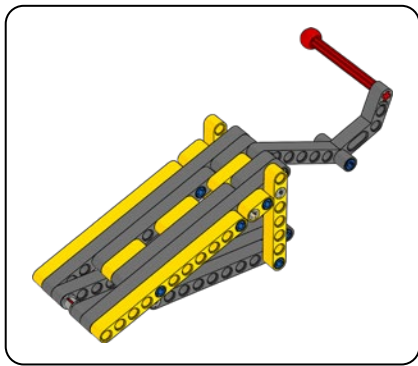


9

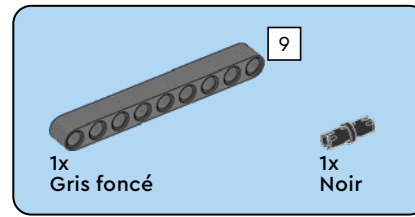
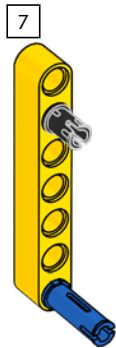


10

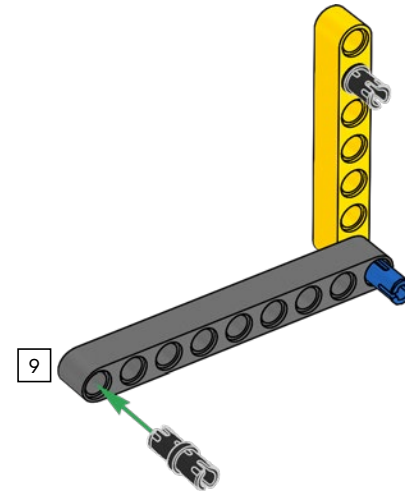


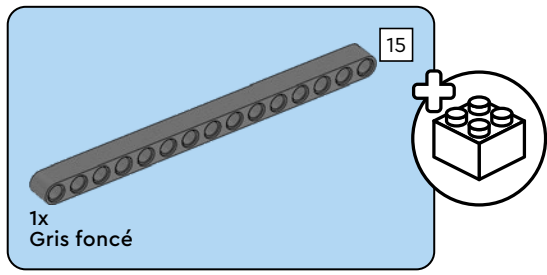


11

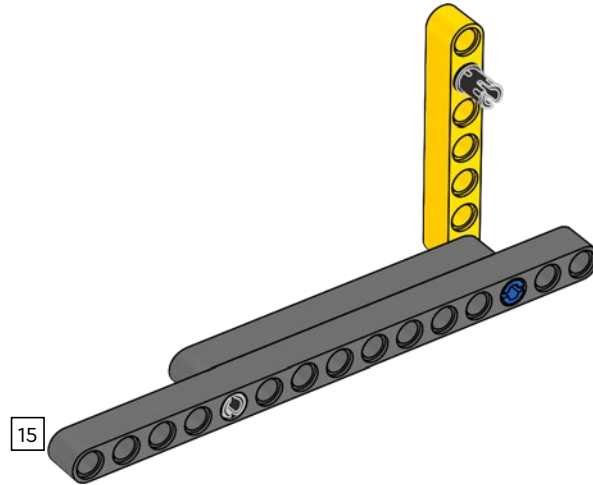


12

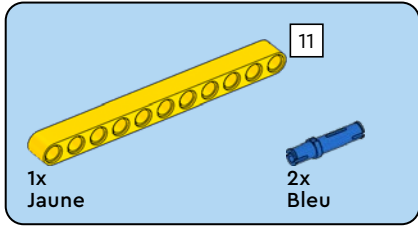
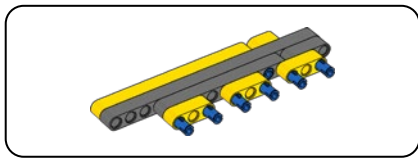




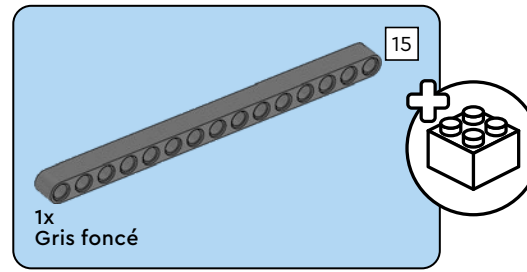
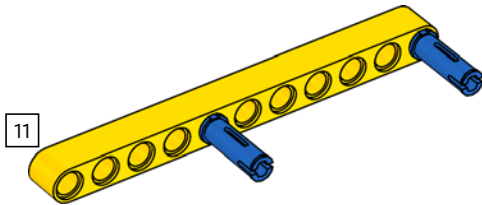
13



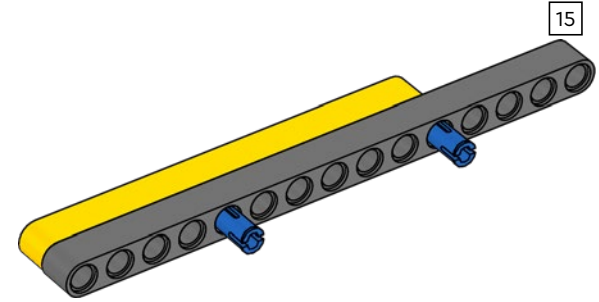




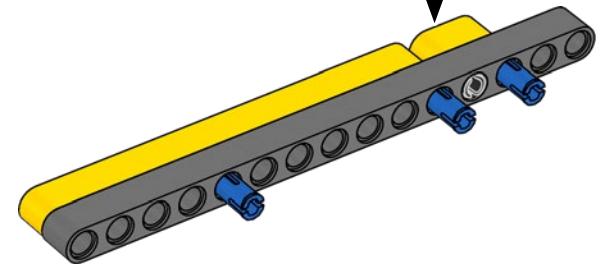
14

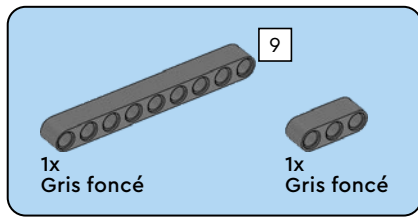


15

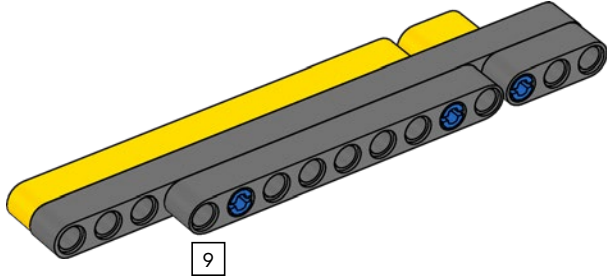


16

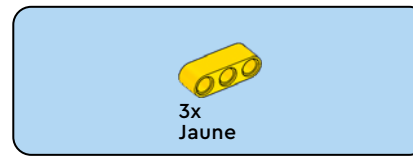
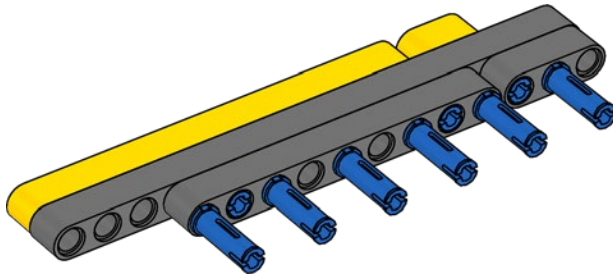




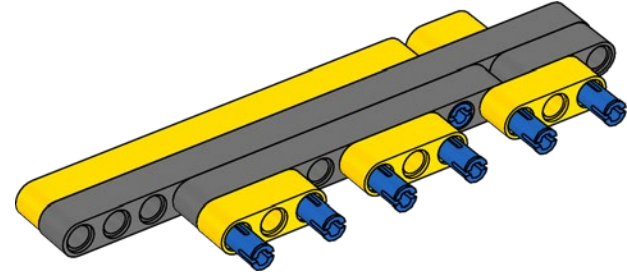
17



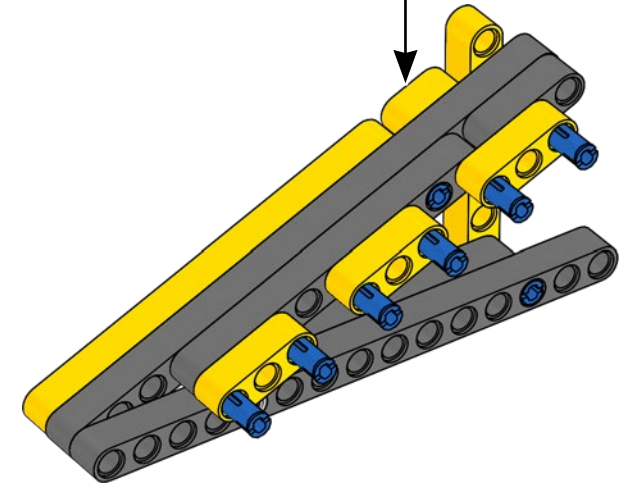
18

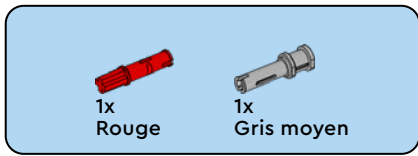


19

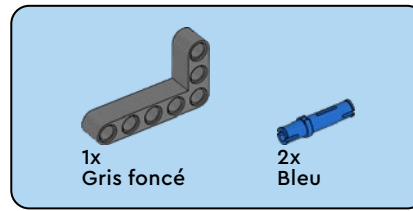
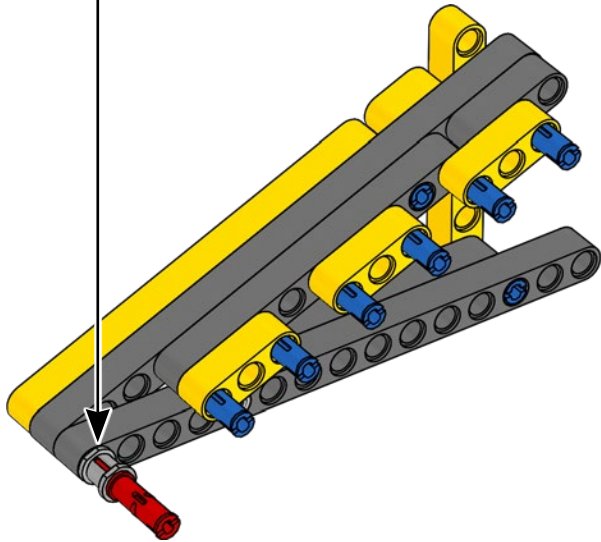
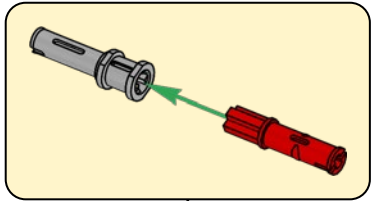


20

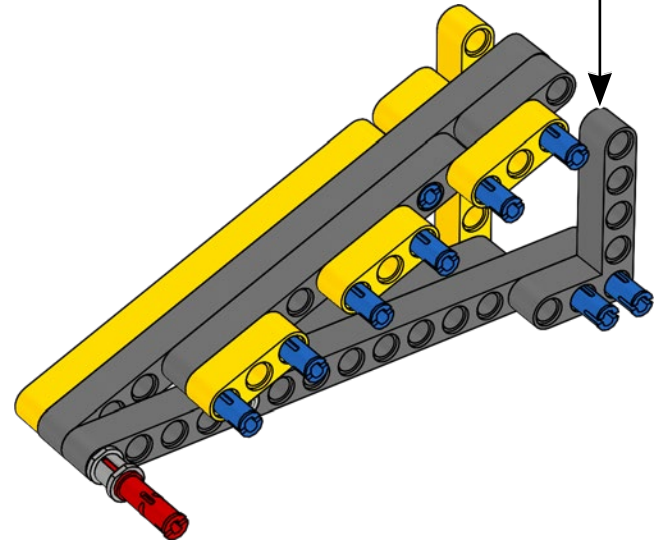
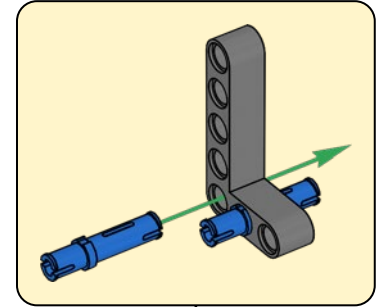


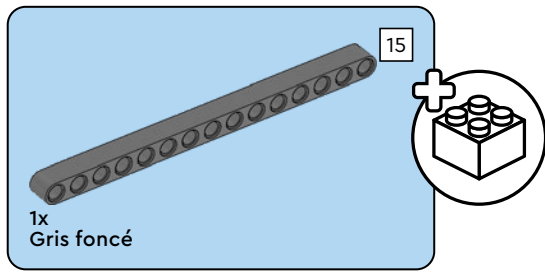


21

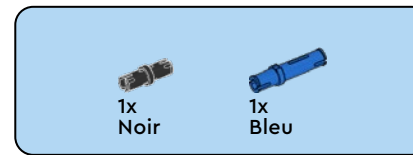
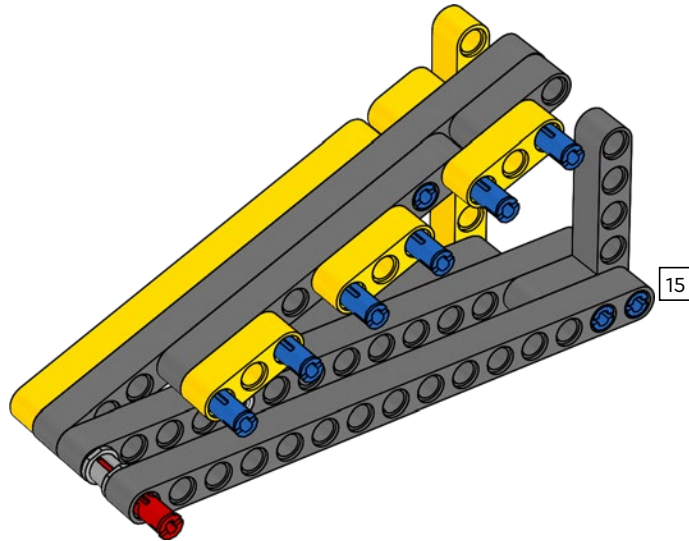


22

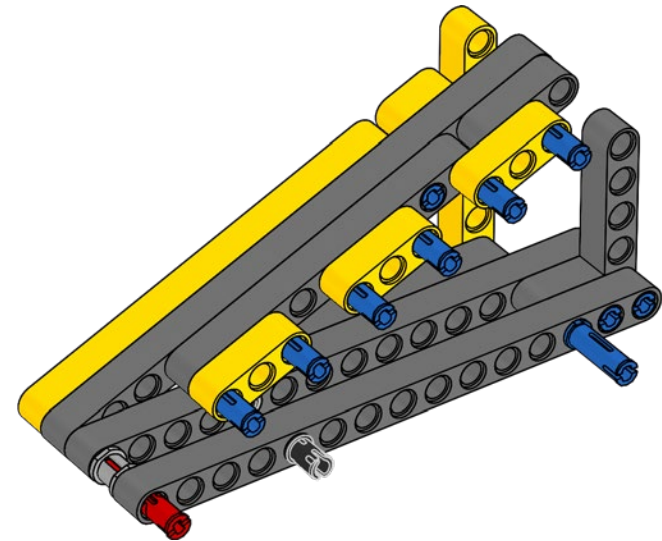


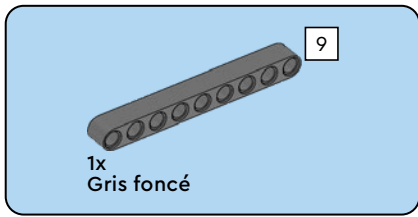


23

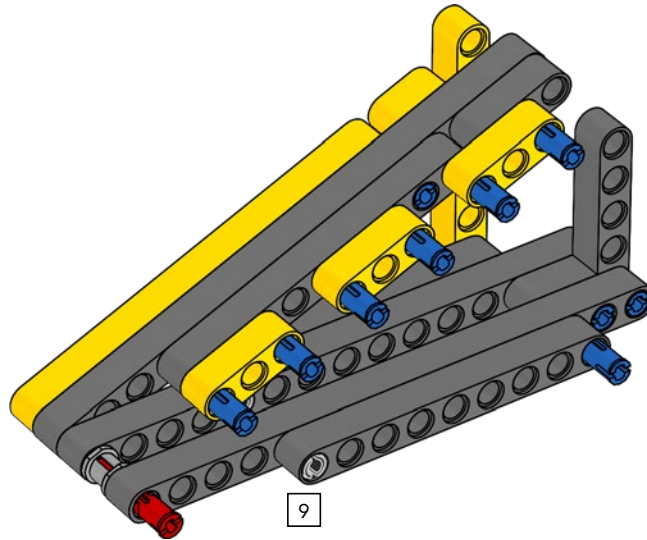


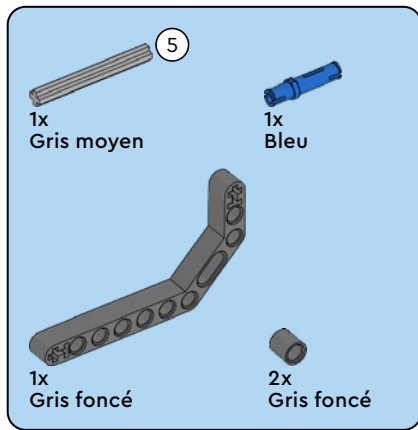
24



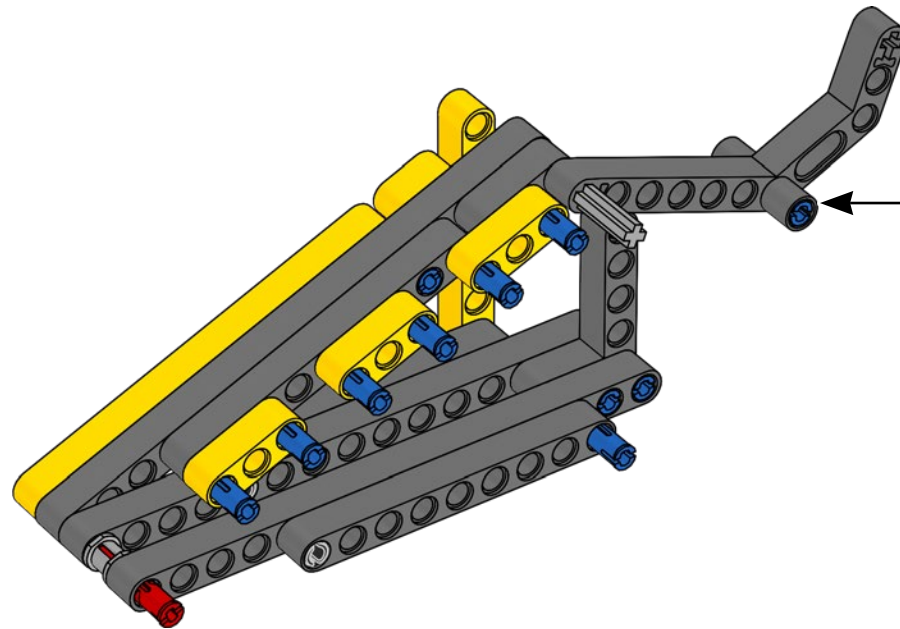
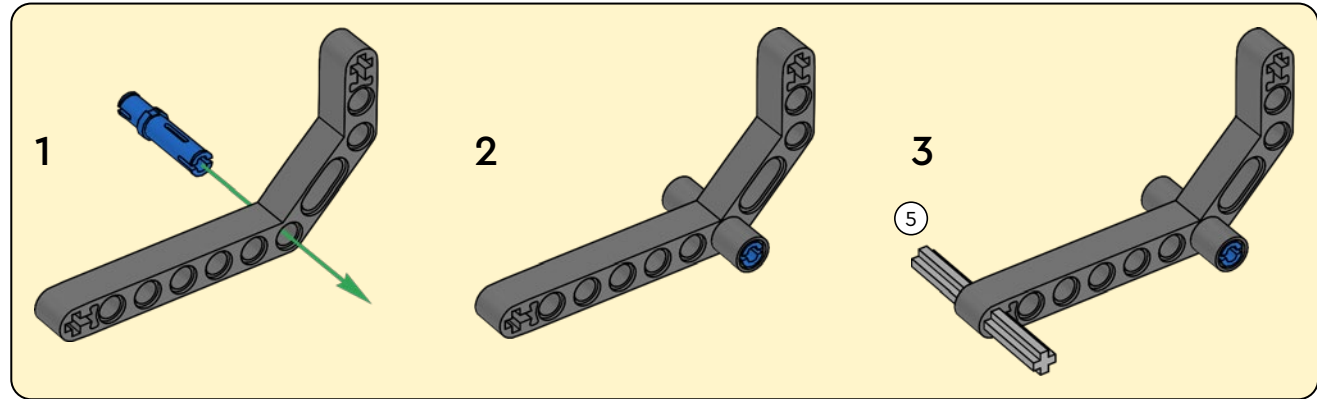


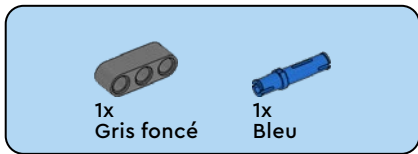
25



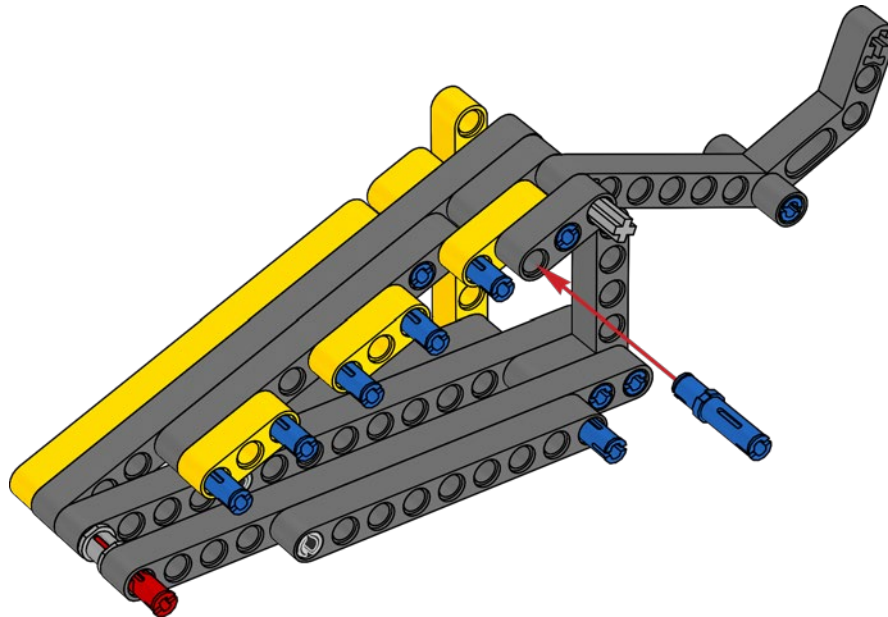


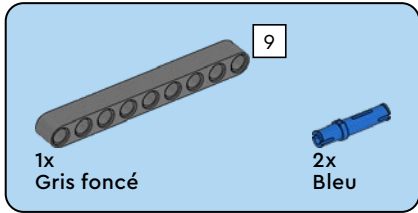
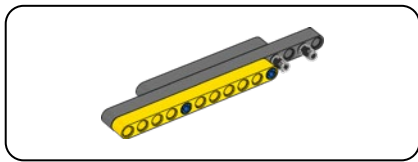
26



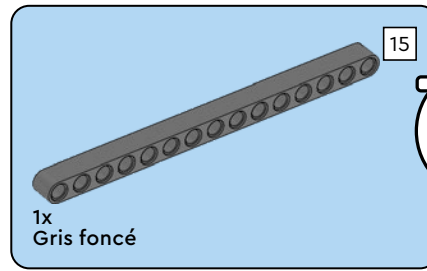
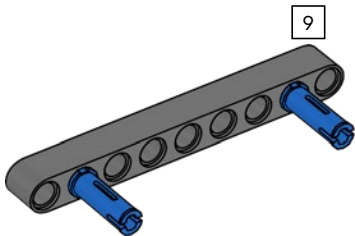


27

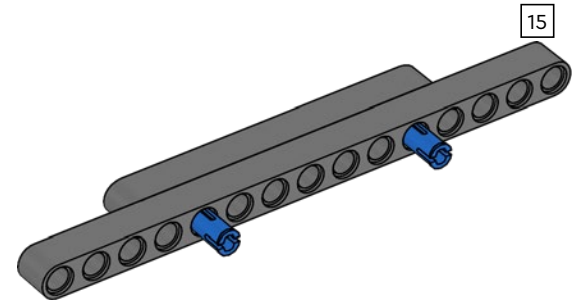




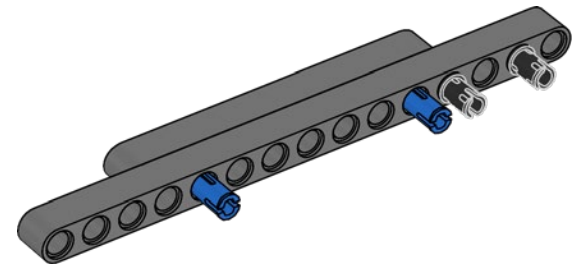
28



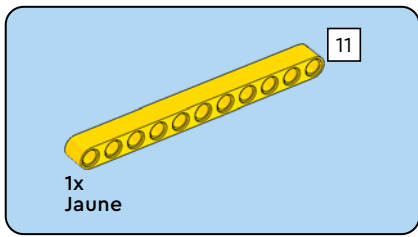
29



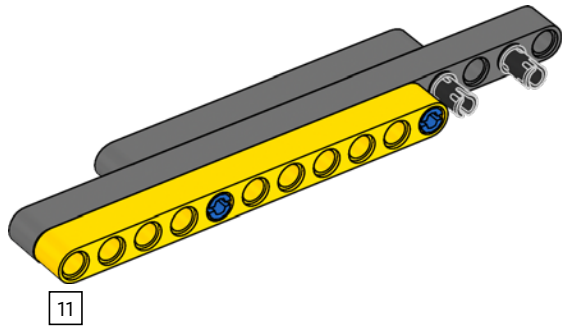
30



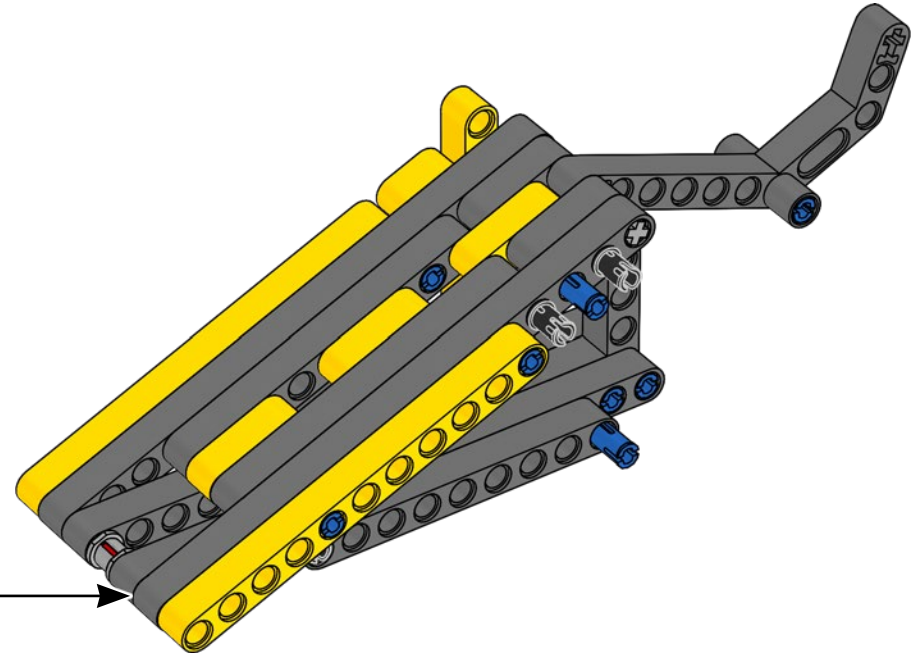


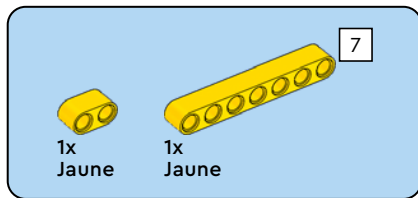


31

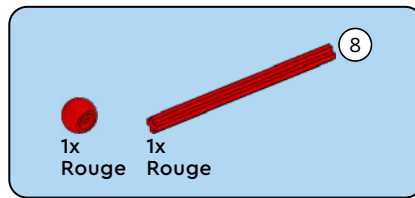
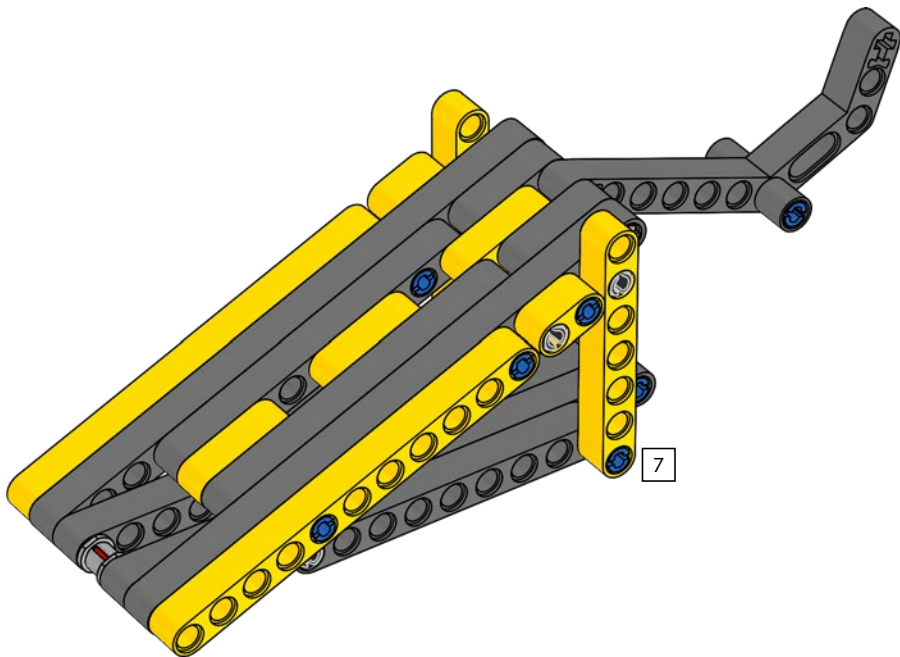


32

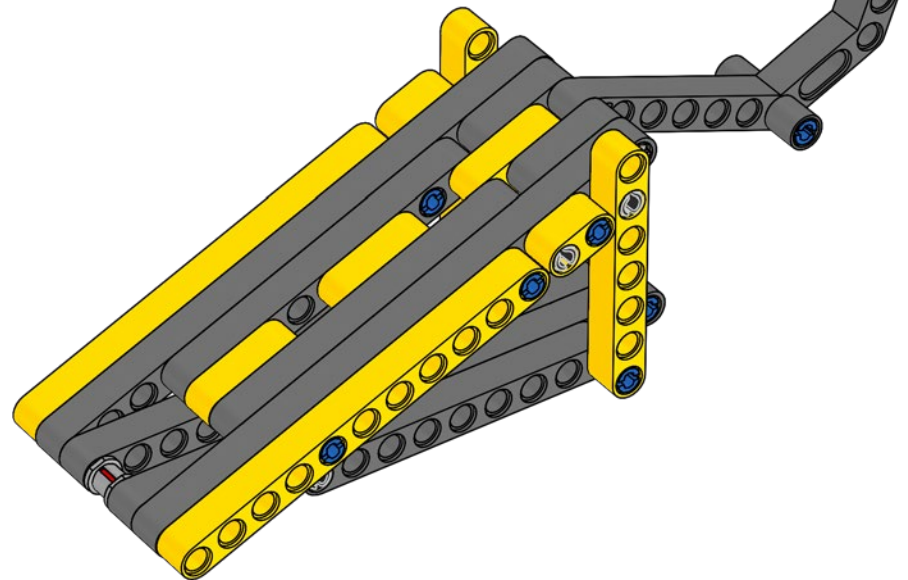
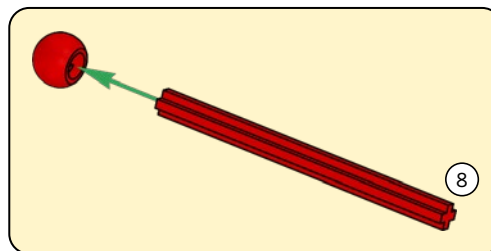




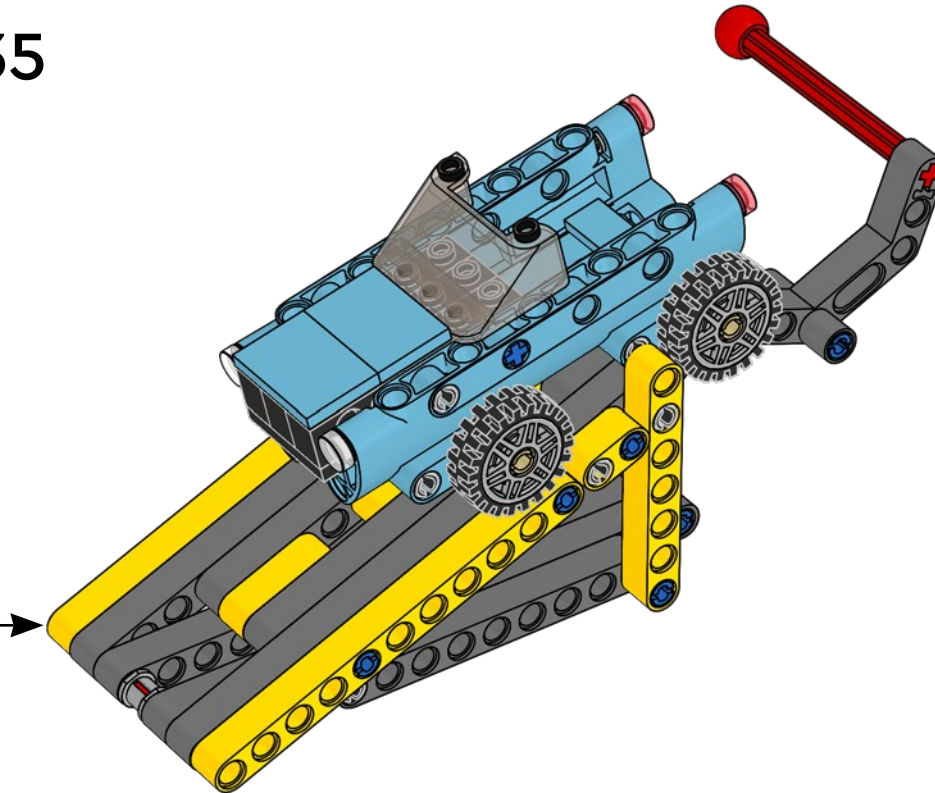
33



34



35



LEGO and the LEGO logo are trademarks of the/sont des marques de commerce du/son marcas registradas de LEGO Group. ©2022 The LEGO Group.

FIRST® is a registered trademark of For Inspiration and Recognition of Science and Technology (FIRST). LEGO® is a registered trademark of the LEGO Group. FIRST® LEGO® League and SUPERPOWERED™ are jointly held trademarks of FIRST and the LEGO Group.

©2022 FIRST and the LEGO Group. All rights reserved.