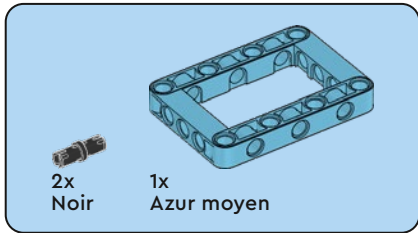
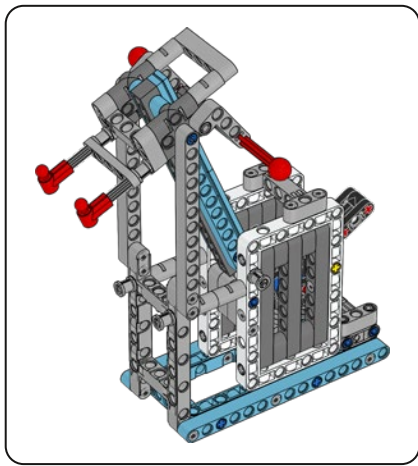
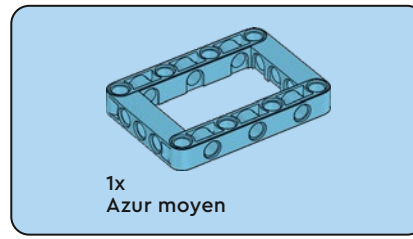
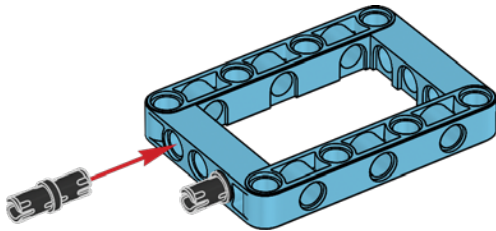


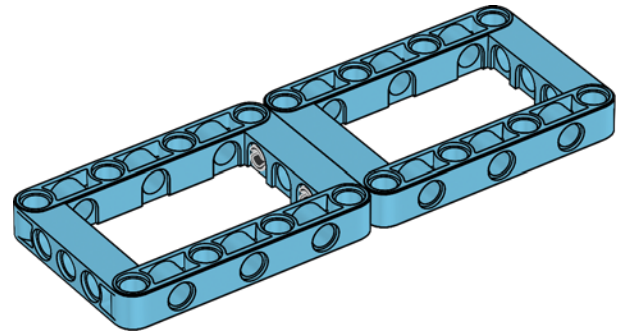
45820

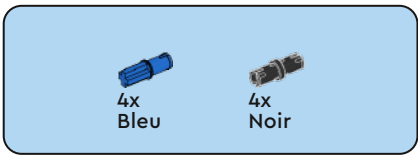


1

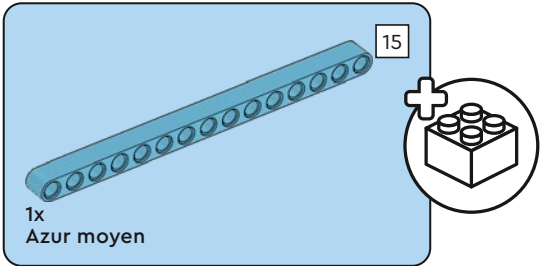
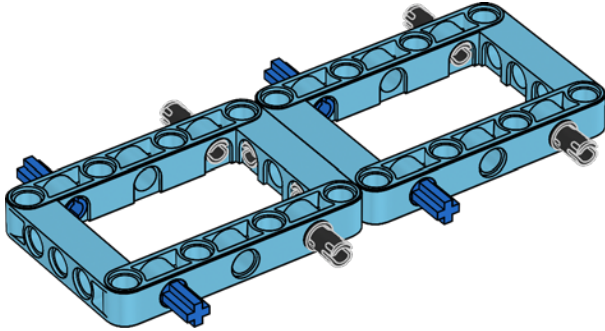


2

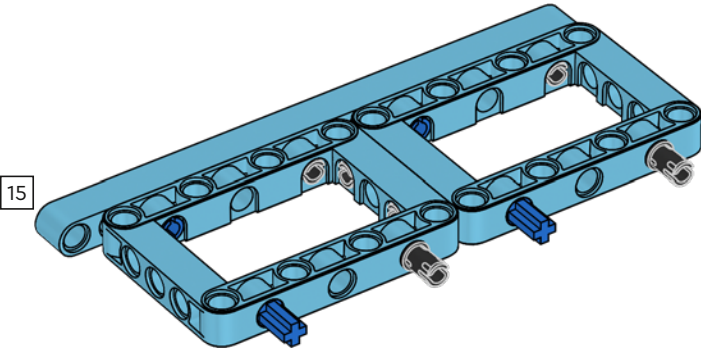


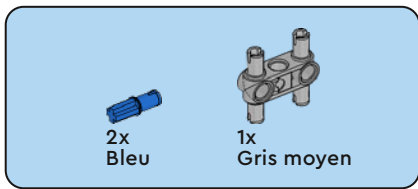


3

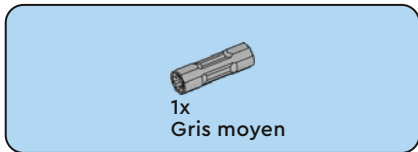
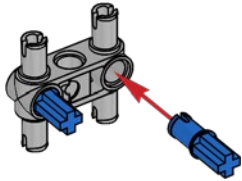


4

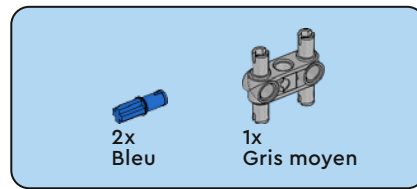
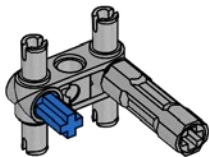




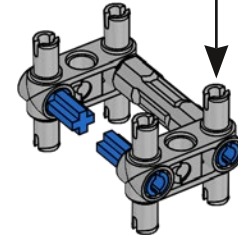
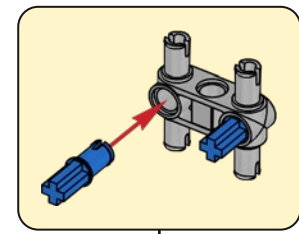
5



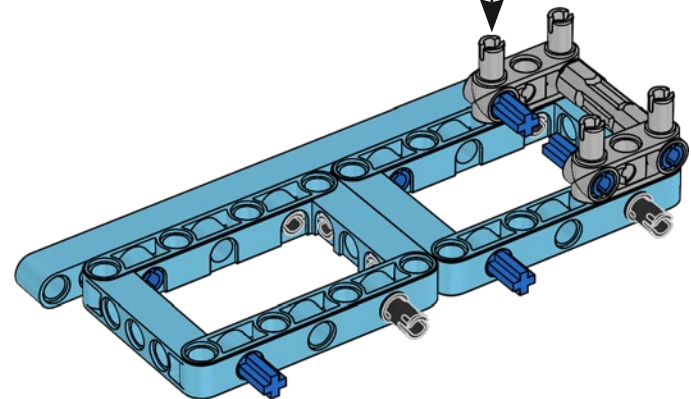
6



7



8



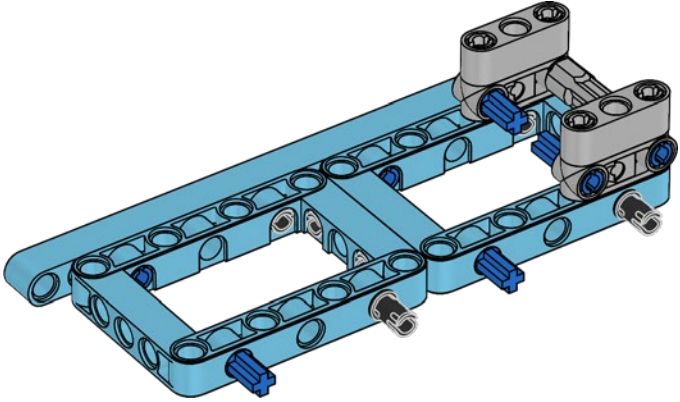


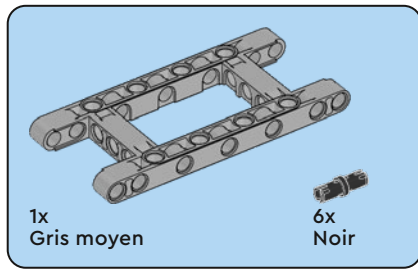
2x
Gris moyen

9

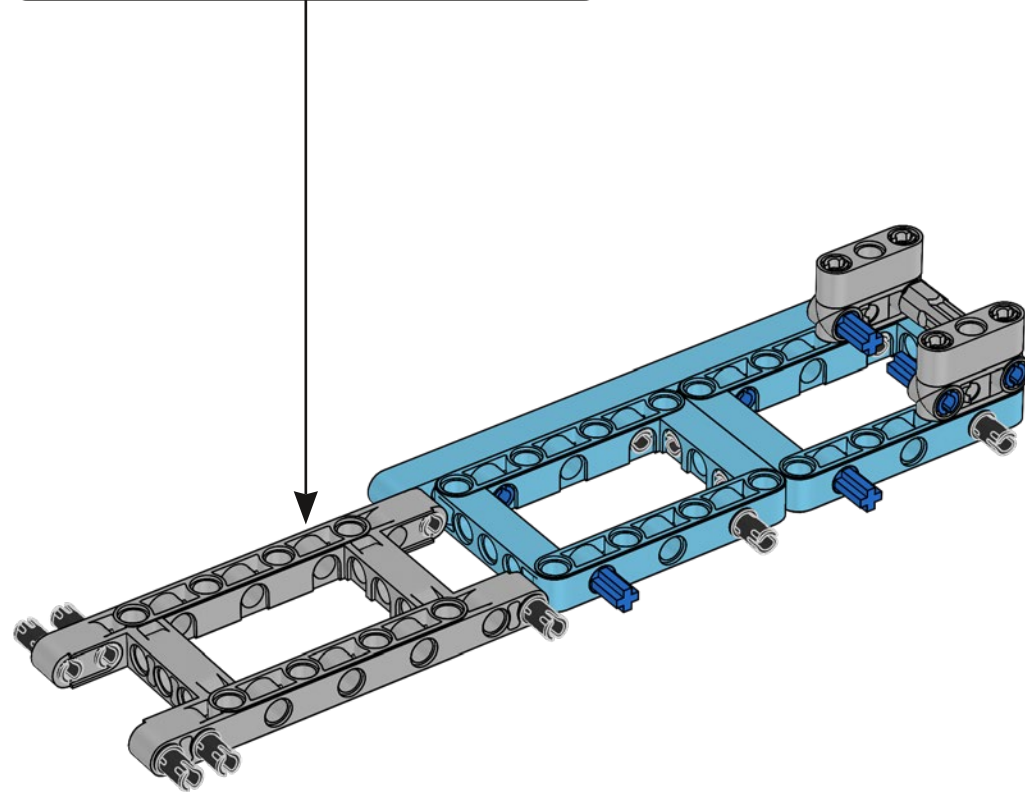
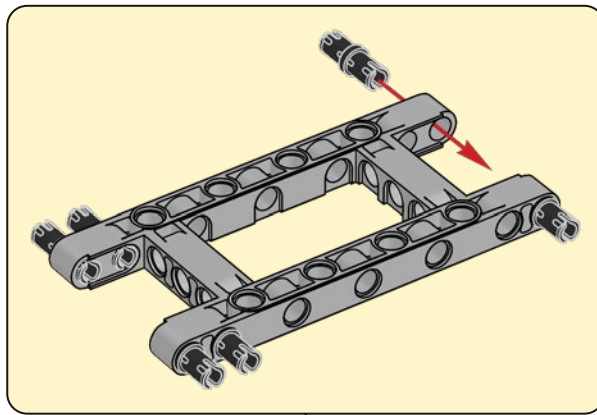


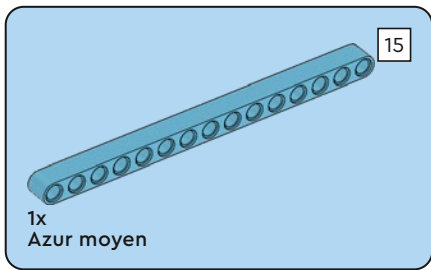
11



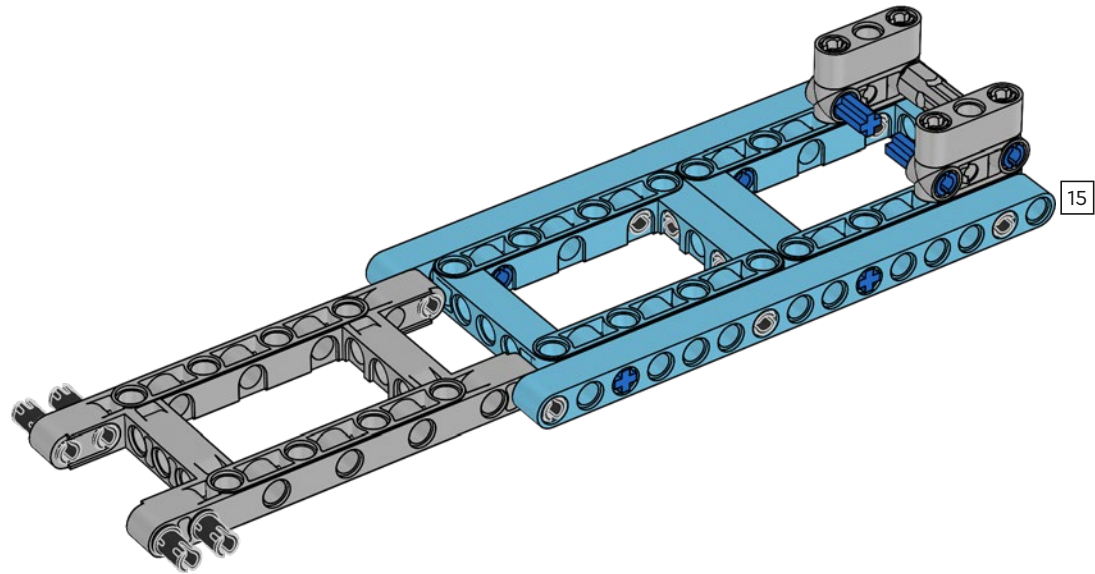


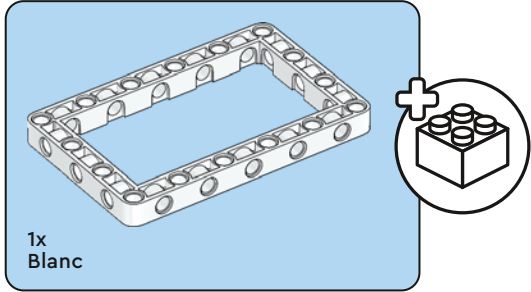
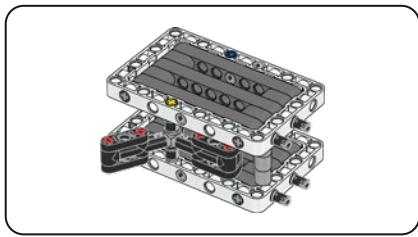
10



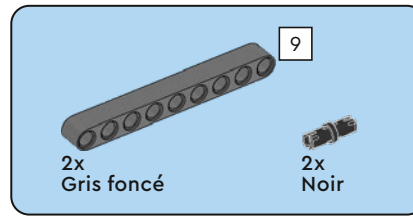
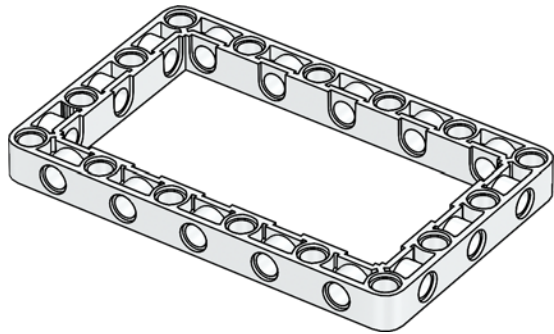


11

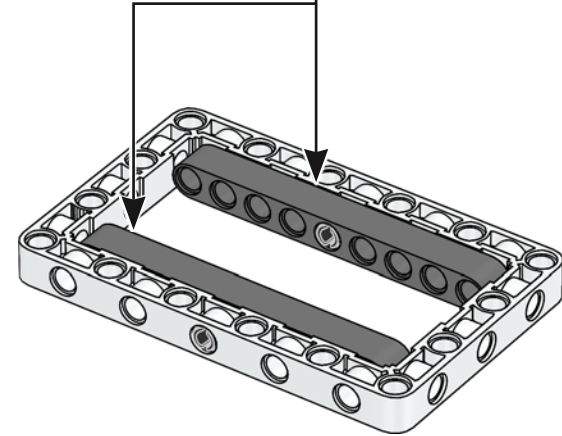
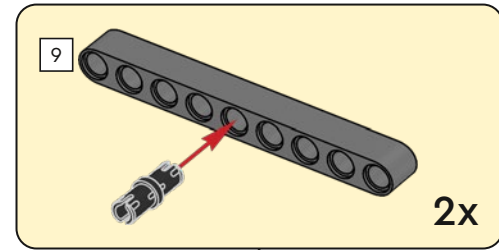


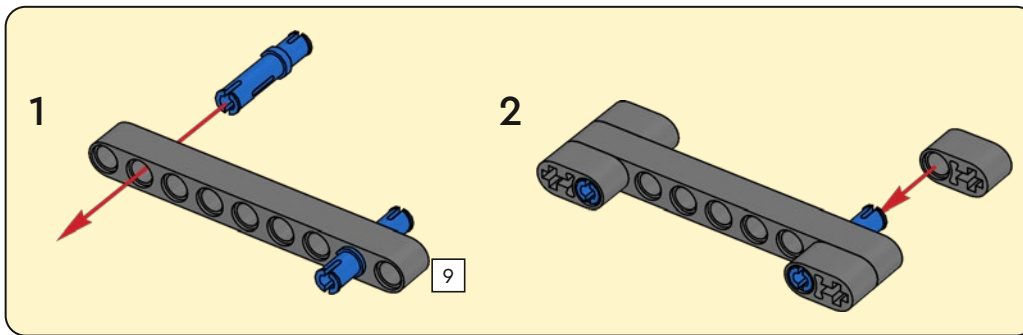
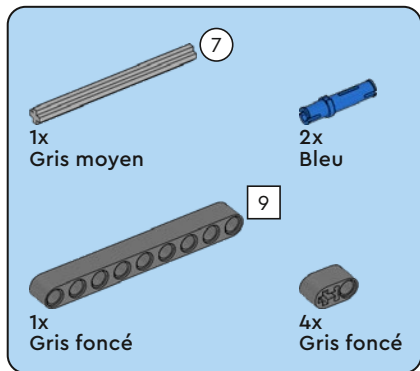


12

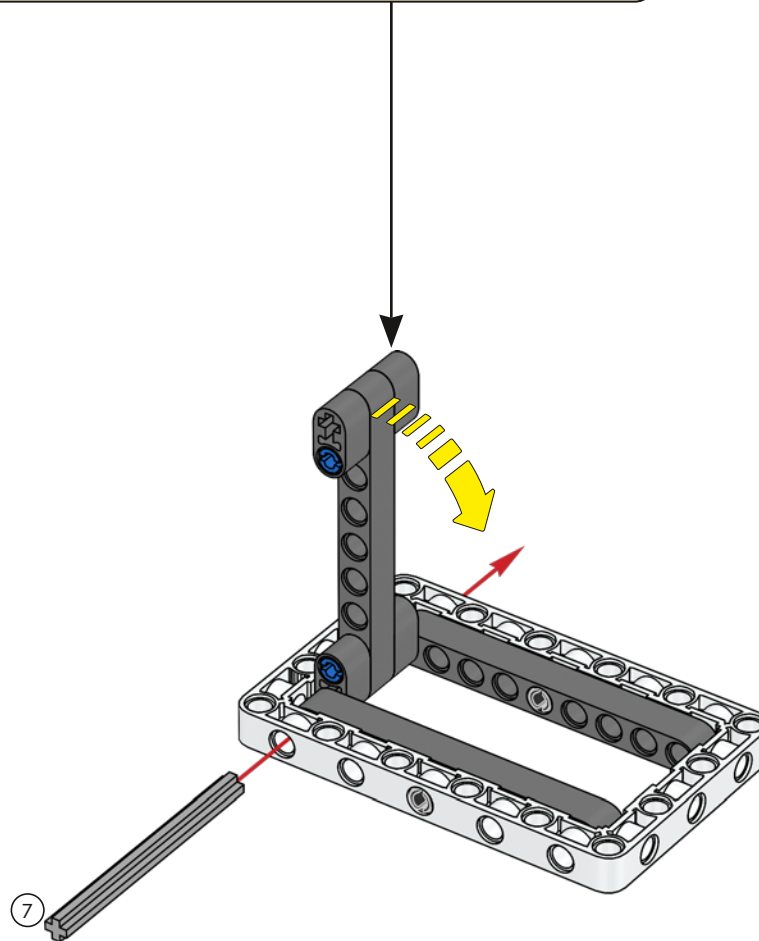


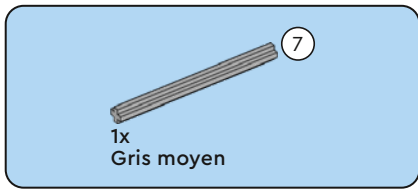
13



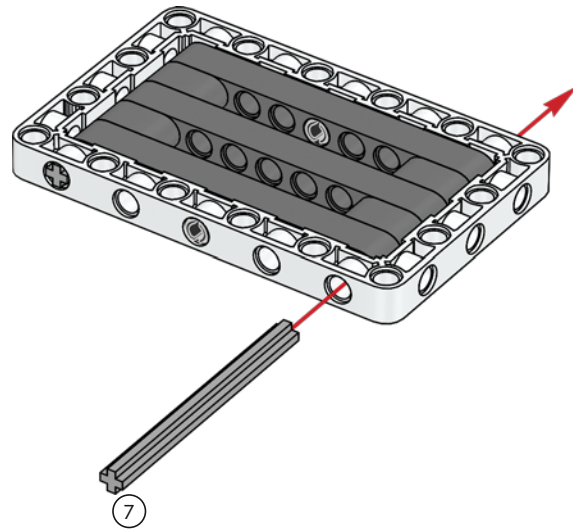


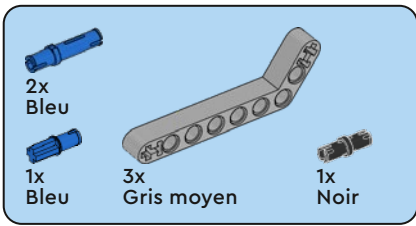
14



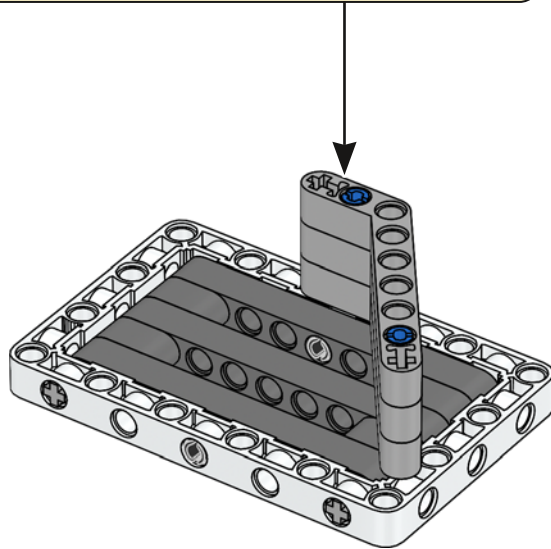
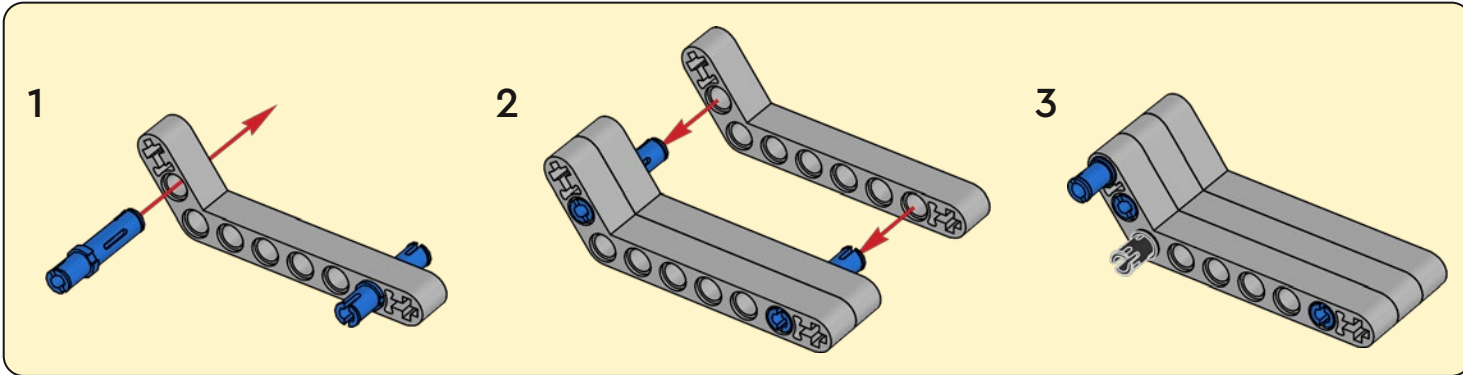


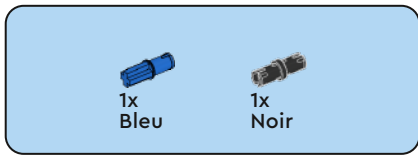
15



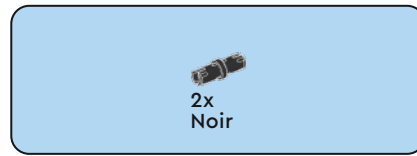
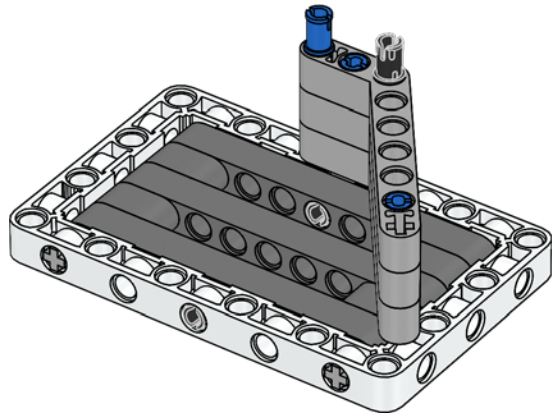


16

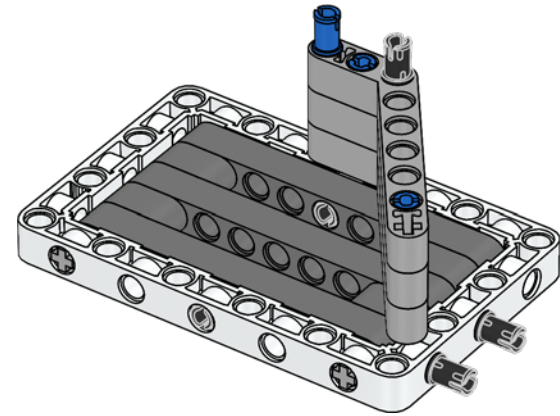


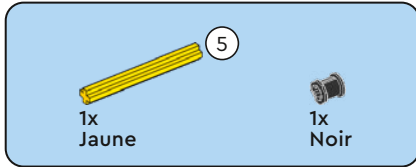
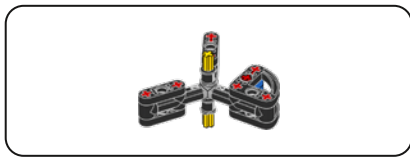


17

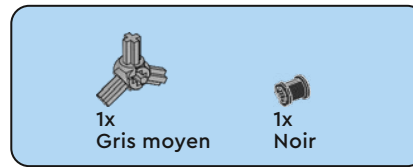
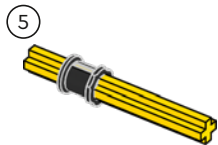


18

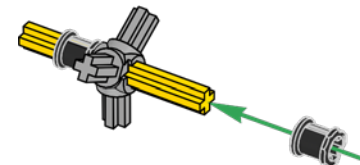




19



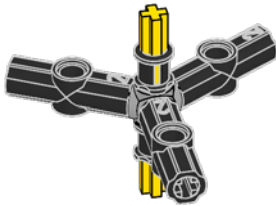
20





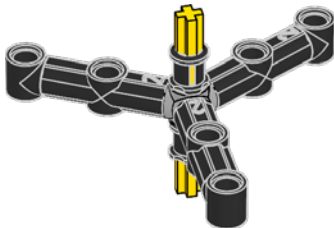
3x
Noir

21



3x
Noir

22

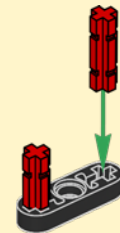
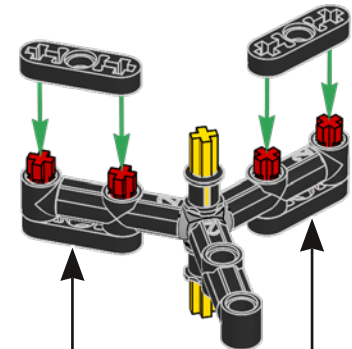


4x
Rouge



4x
Noir

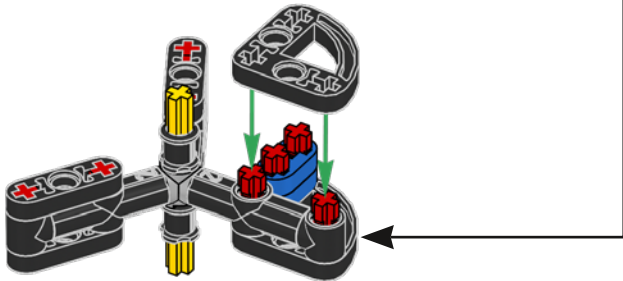
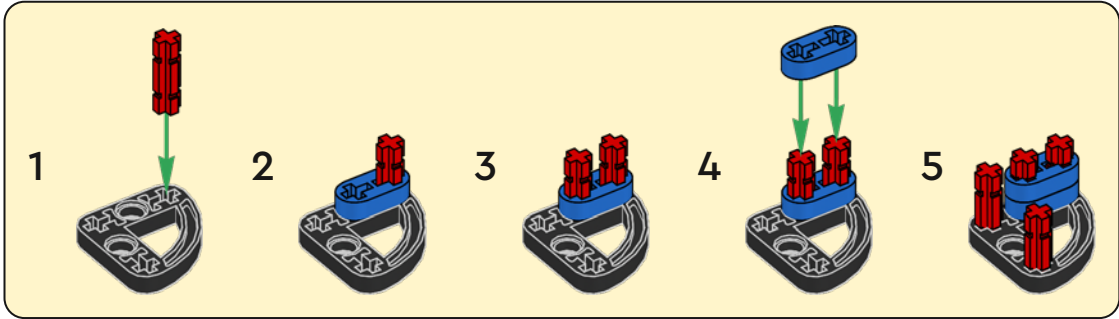
23



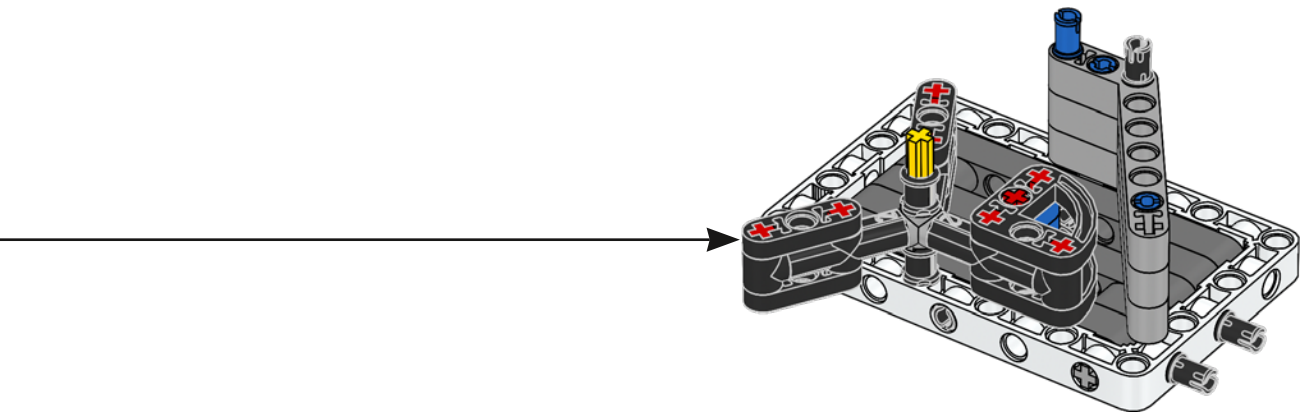
2x

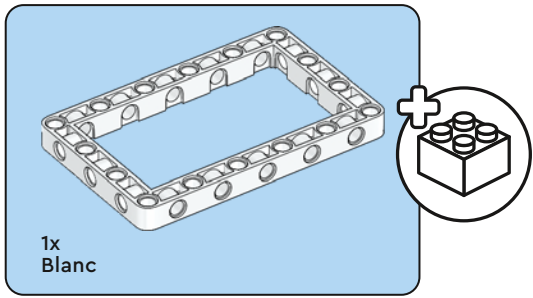
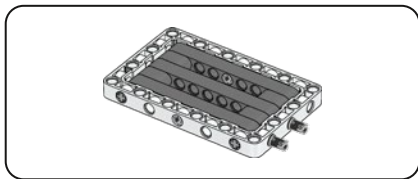
4x Rouge
2x Noir
2x Bleu

24

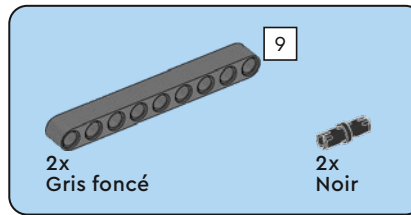
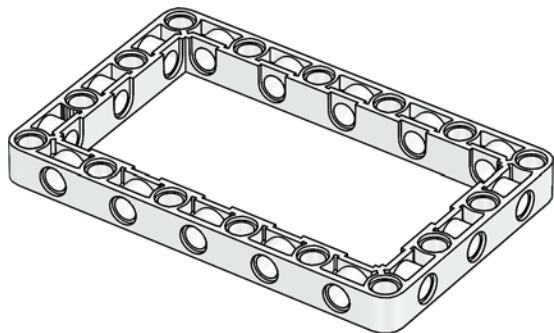


25

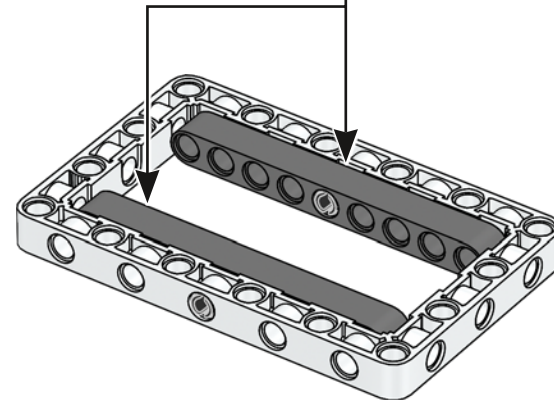
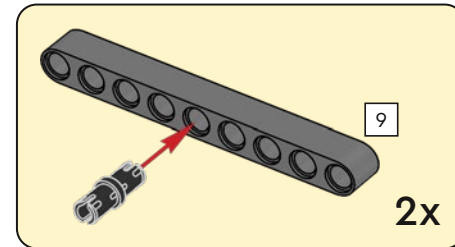


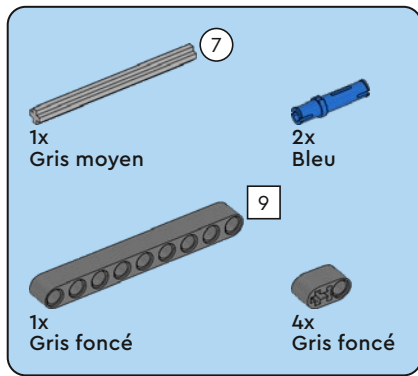


26

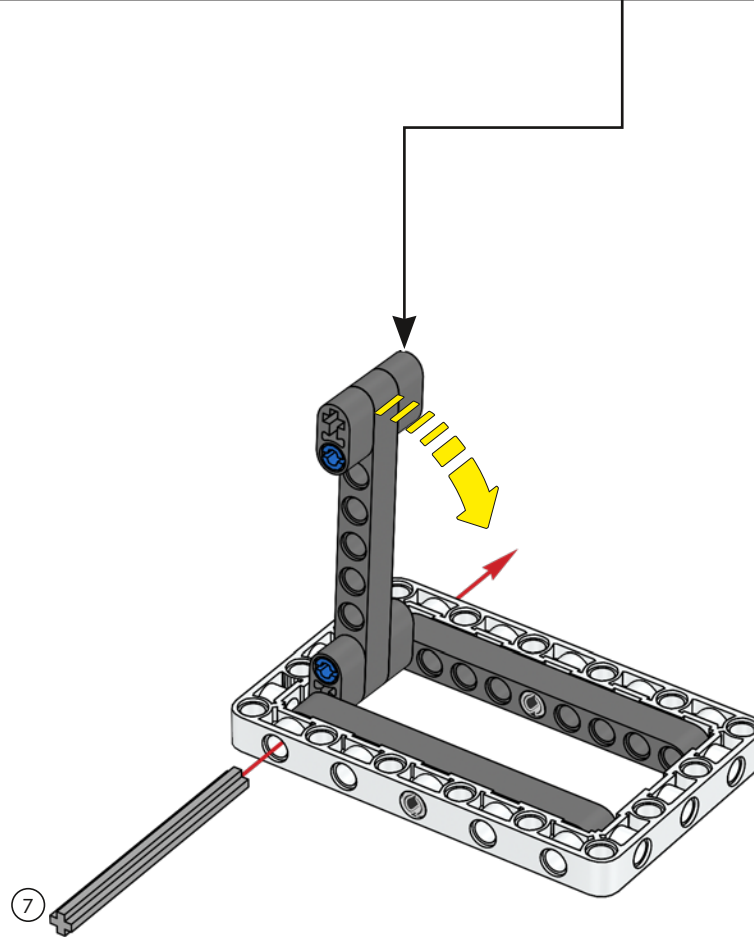
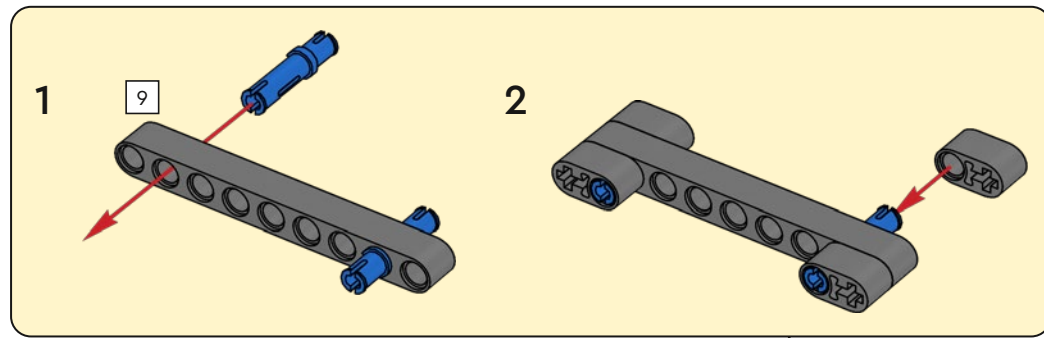


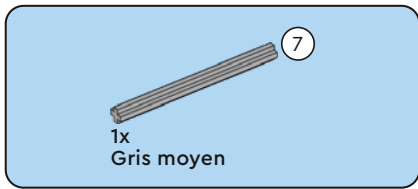
27



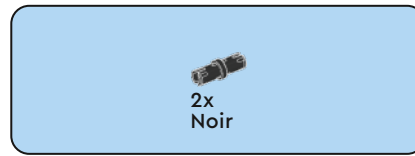
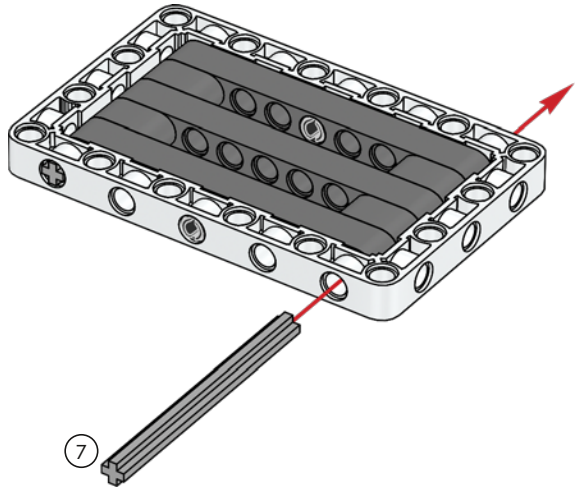


28

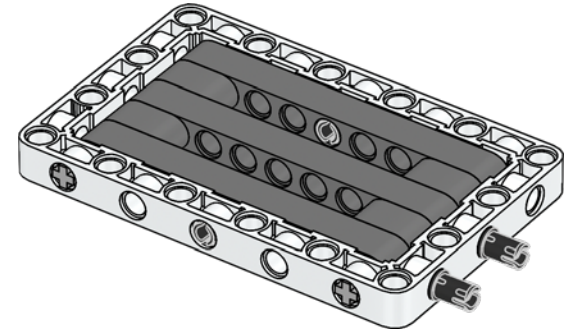




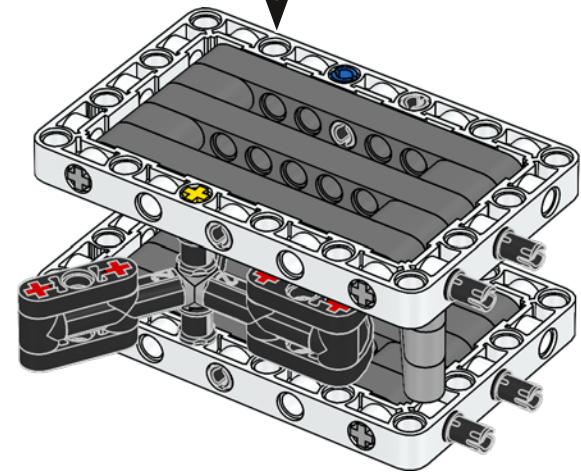
29



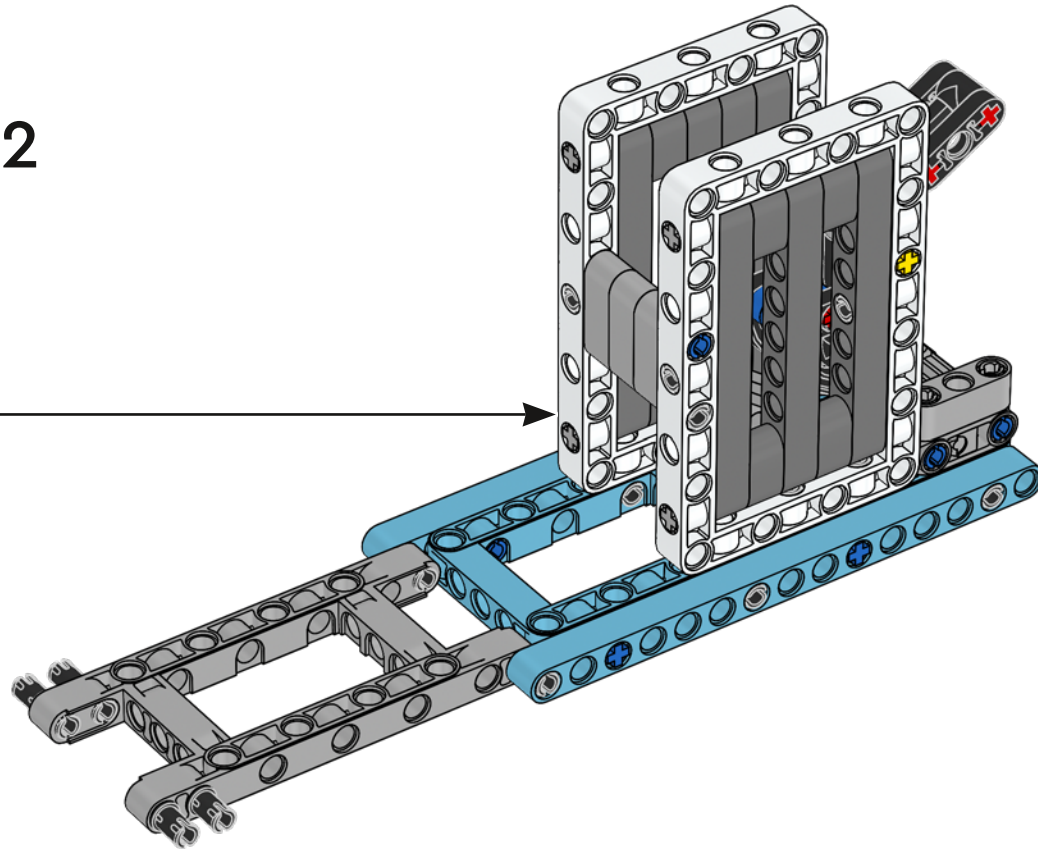
30



31



32

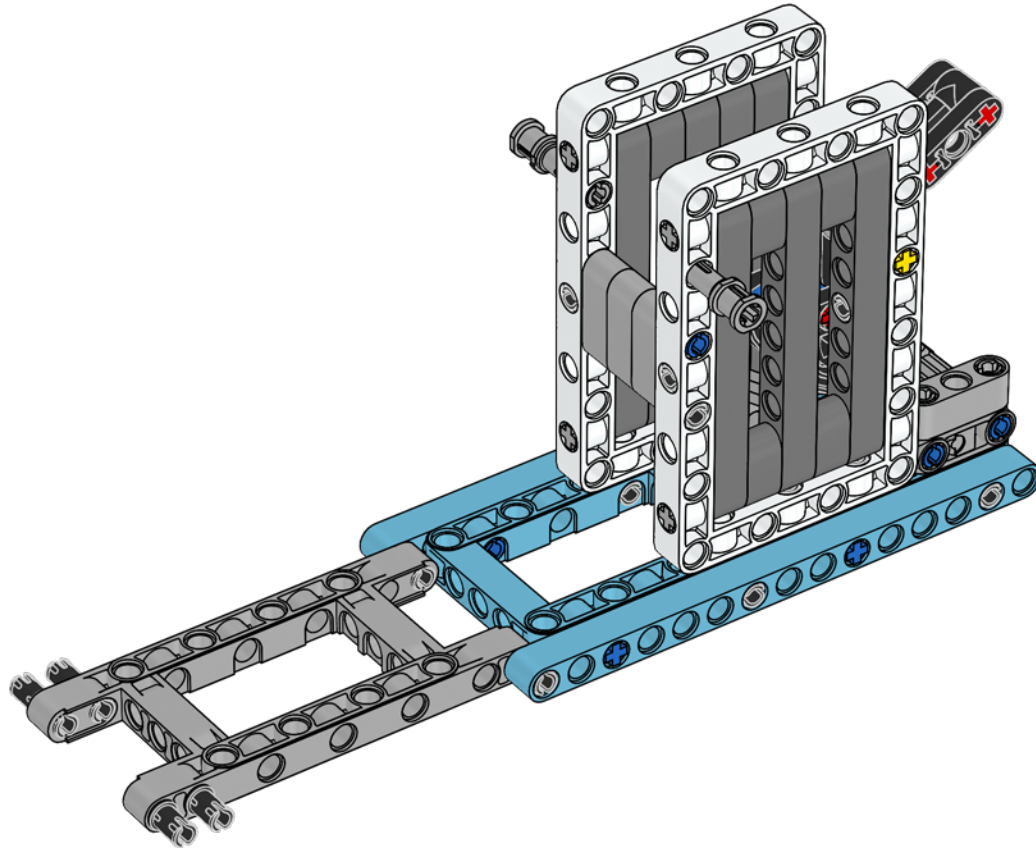


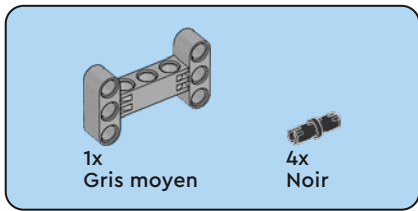


2x
Gris moyen

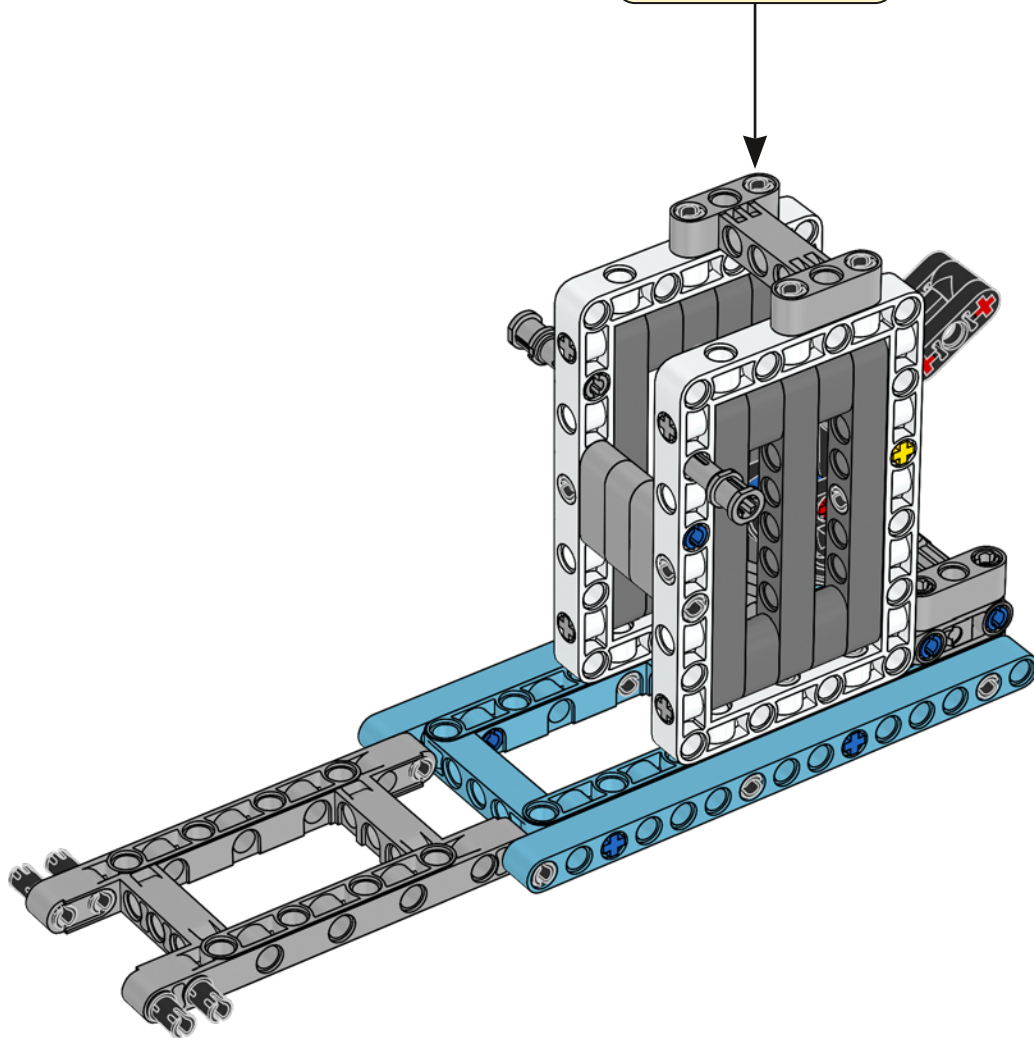
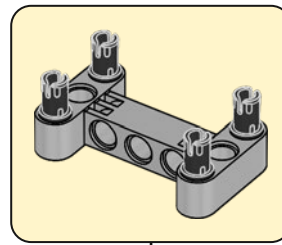


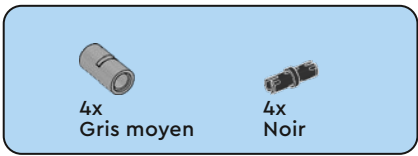
33



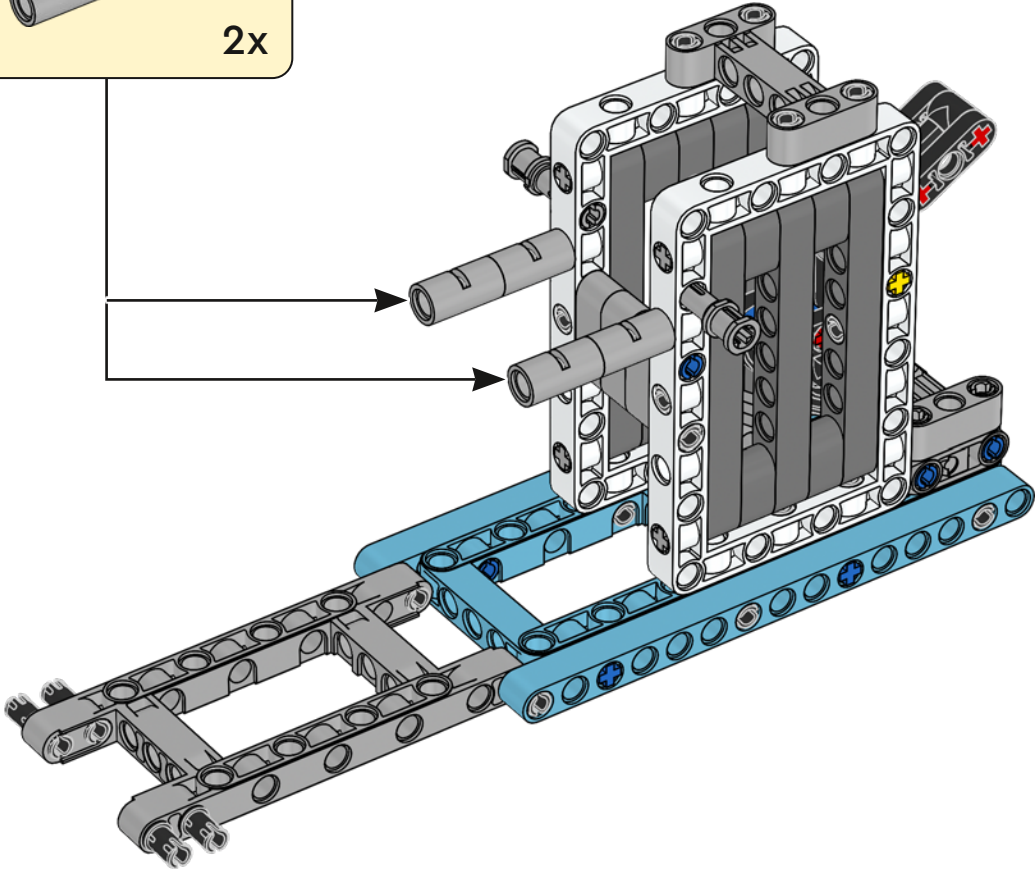
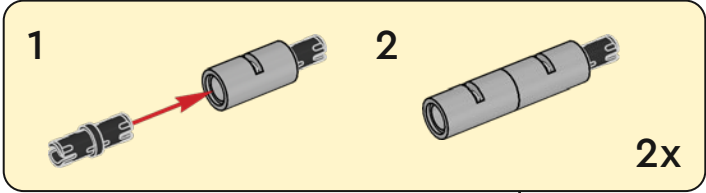


34





35

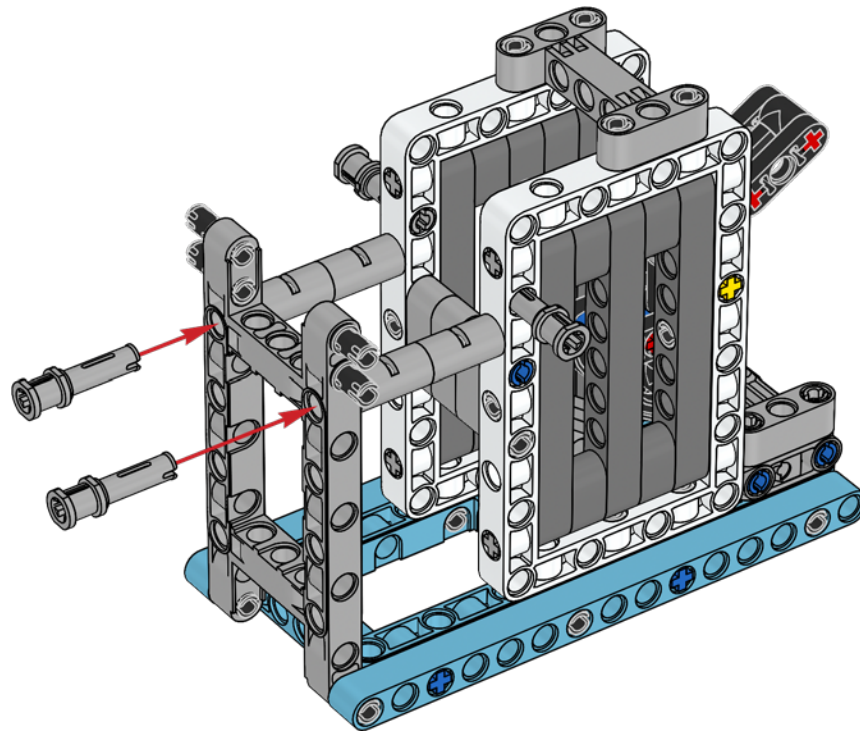


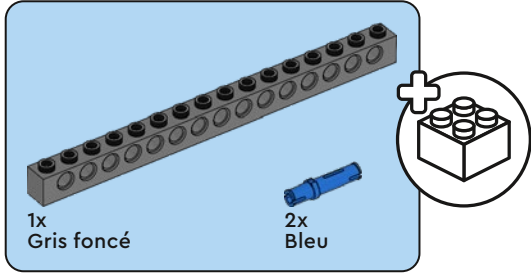
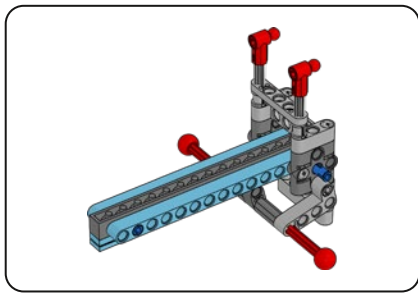


2x
Gris moyen

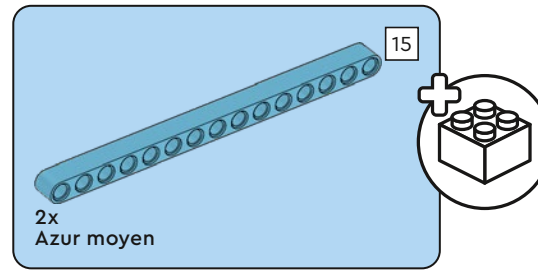
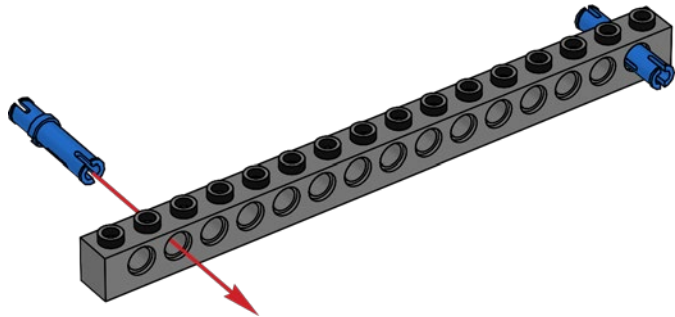


36

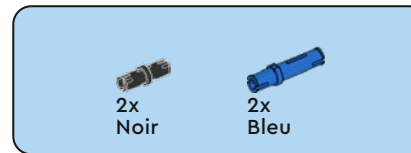
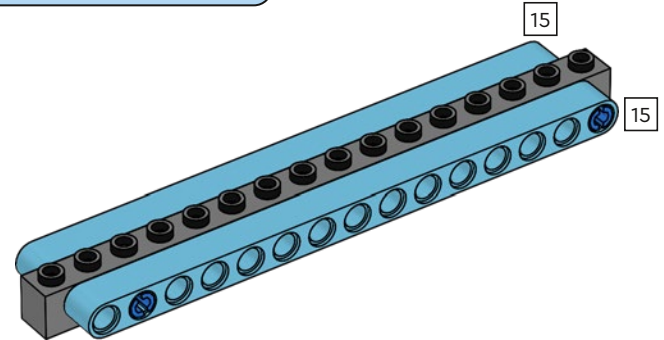




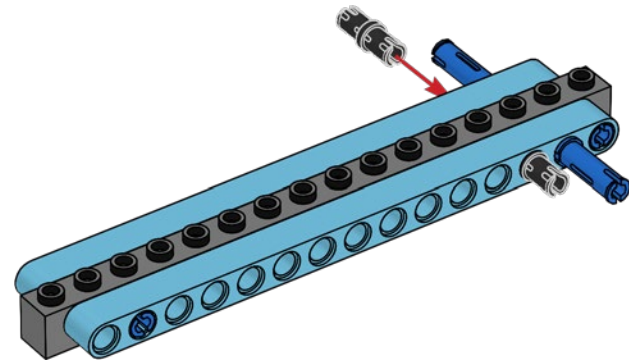
37

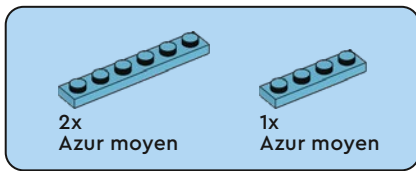


38

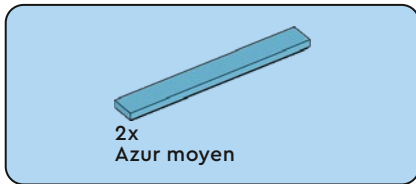
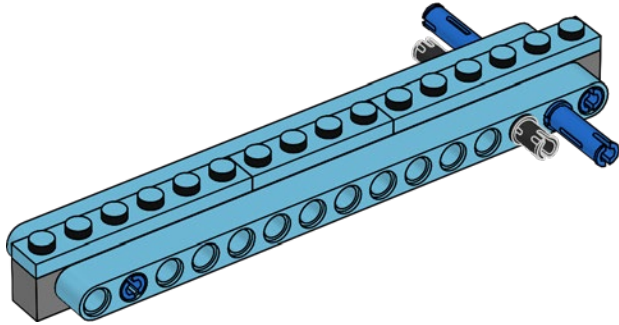


39

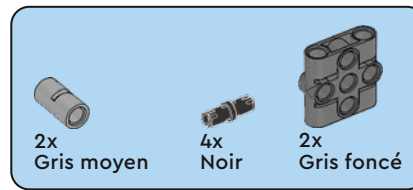
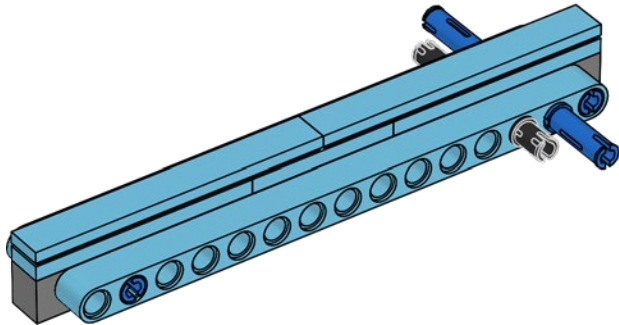




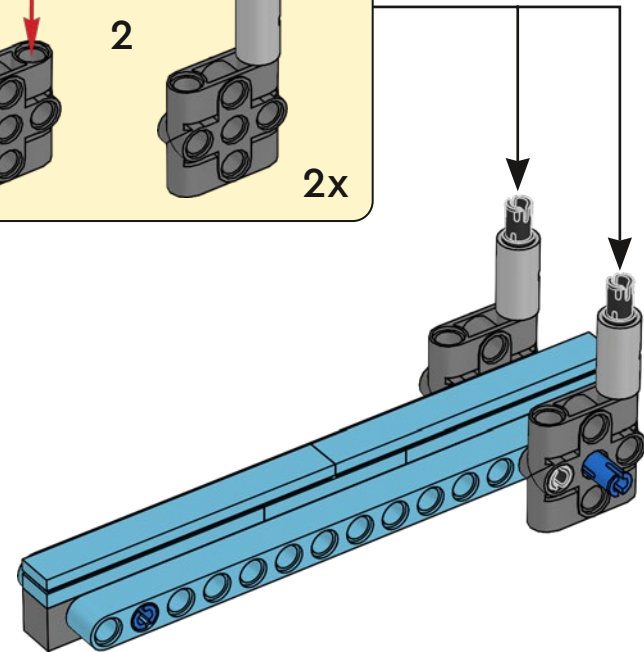
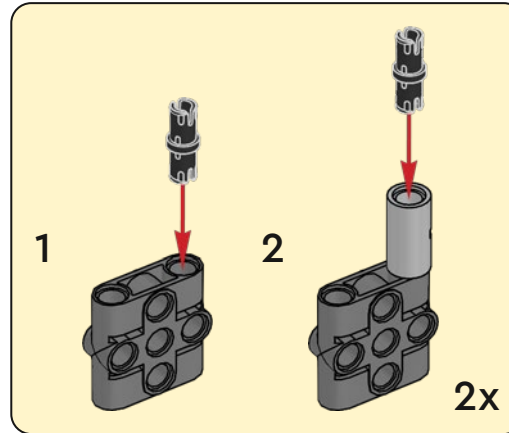
40

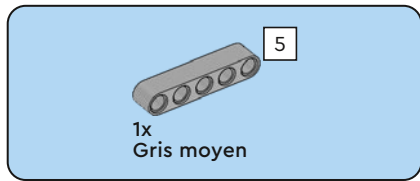


41

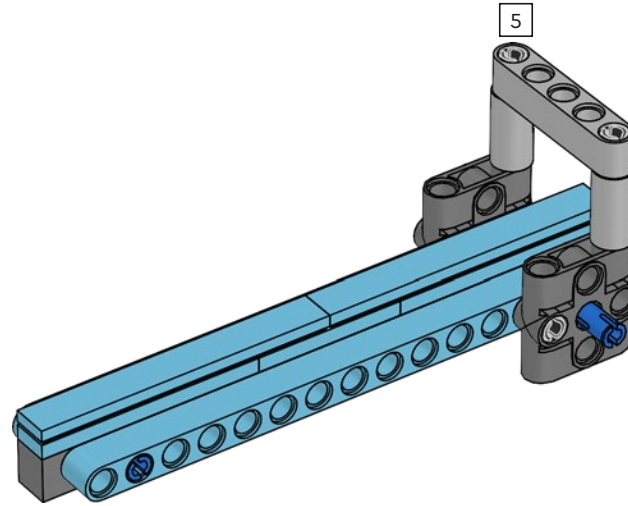


42

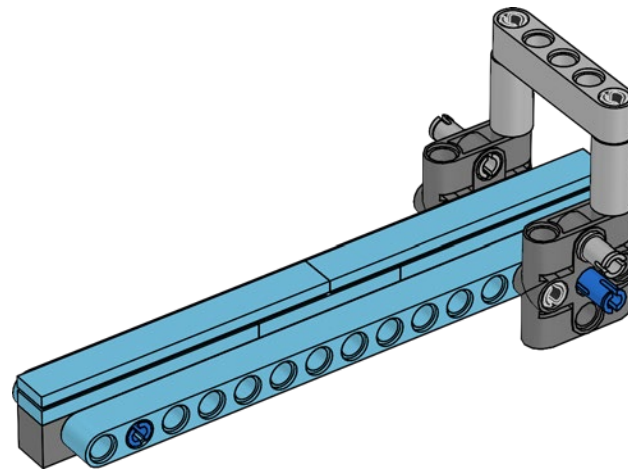




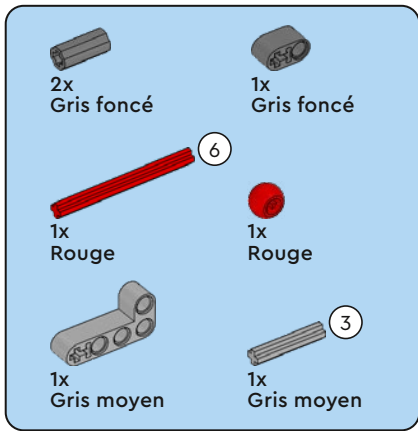
43



44



2x Gris foncé
1x Gris foncé
1x Rouge
1x Rouge
1x Gris moyen
1x Gris moyen



A parts list for step 45, showing six items: two dark grey pins, one dark grey pin, one red pin, one red pin, one medium grey pin, and one medium grey pin. A red pin with a circled '6' is shown separately.

45

1 3

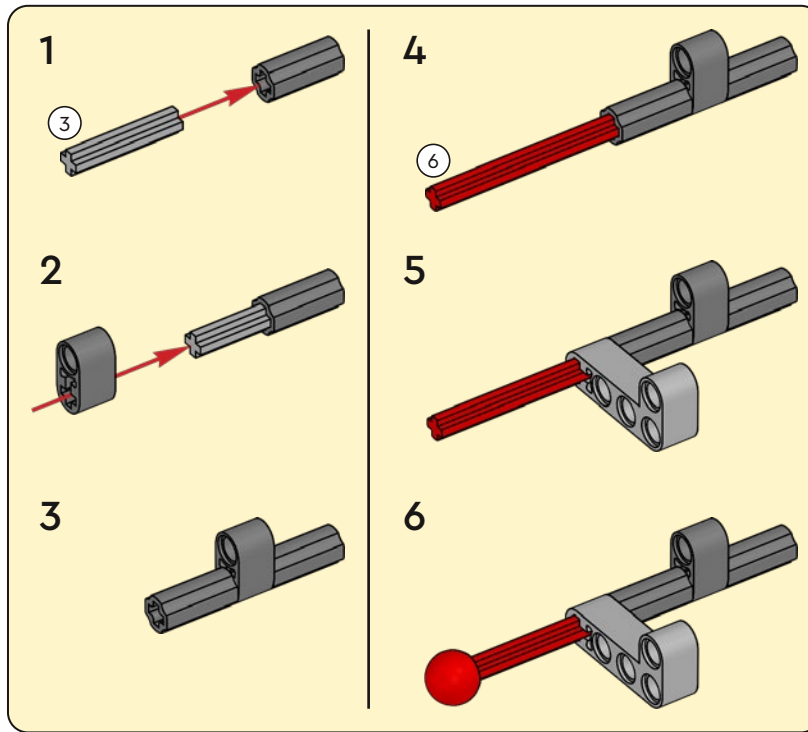
2

3

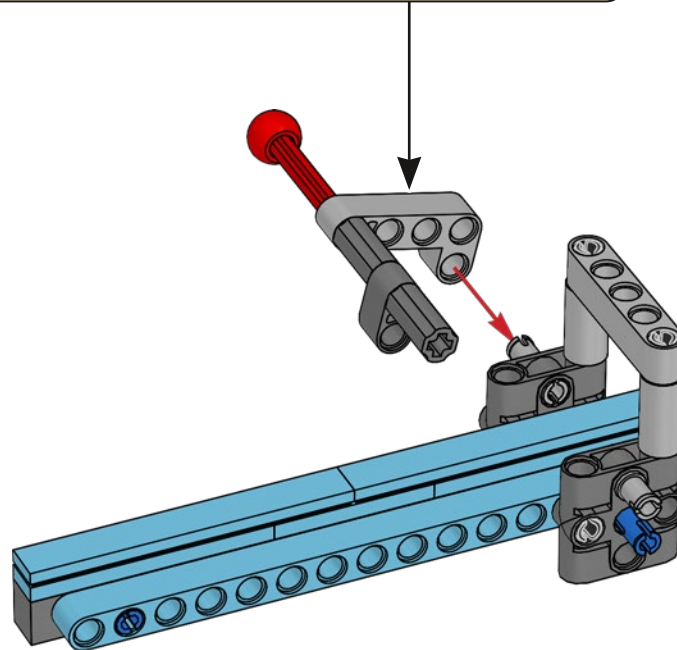
4 6

5

6



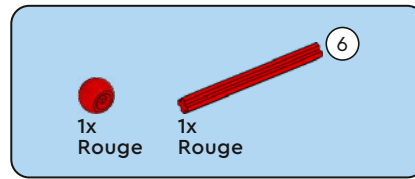
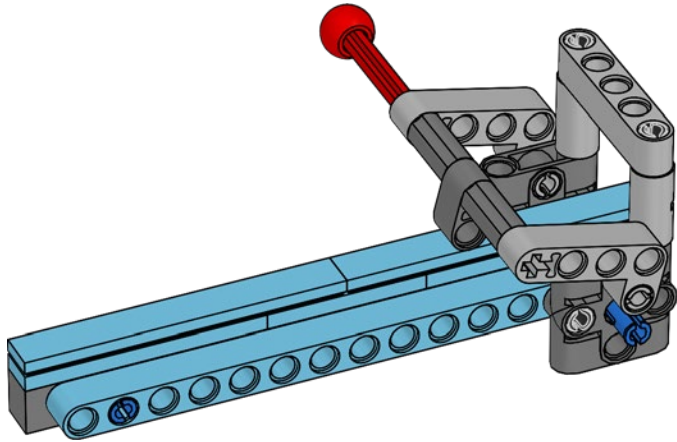
A sequence of six assembly steps for step 45. Step 1: A red pin (6) is inserted into a dark grey pin (3). Step 2: A dark grey pin (3) is inserted into a dark grey pin (3). Step 3: A dark grey pin (3) is inserted into a dark grey pin (3). Step 4: A red pin (6) is inserted into a dark grey pin (3). Step 5: A dark grey pin (3) is inserted into a dark grey pin (3). Step 6: A red pin (6) is inserted into a dark grey pin (3).



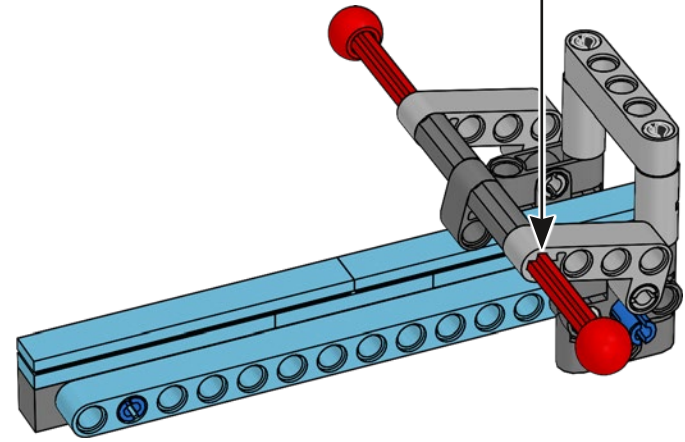
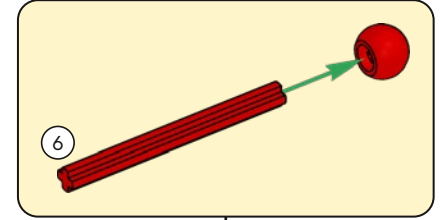
The assembly step for step 45, showing the sub-assembly from step 6 being attached to a larger structure. A red pin (6) is inserted into a dark grey pin (3) on the larger structure.

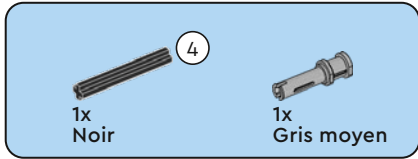
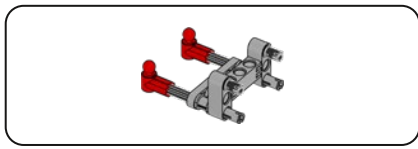


46

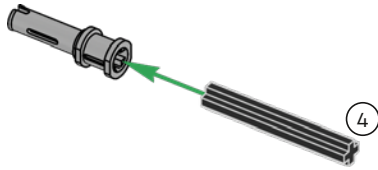


47

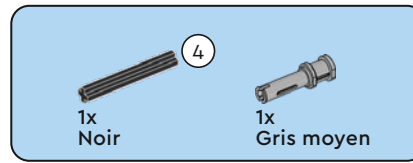
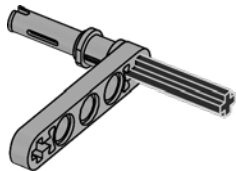




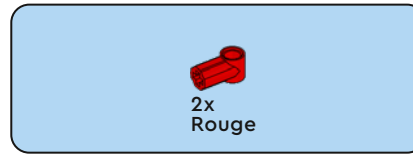
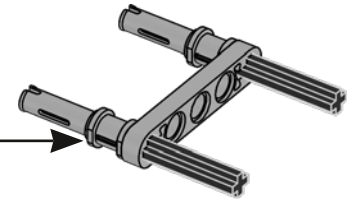
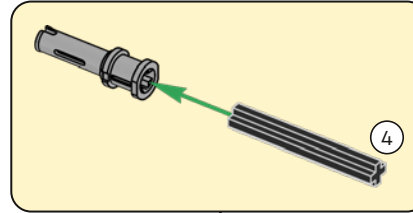
48



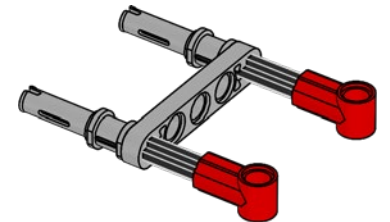
49



50

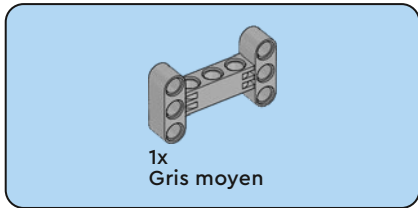
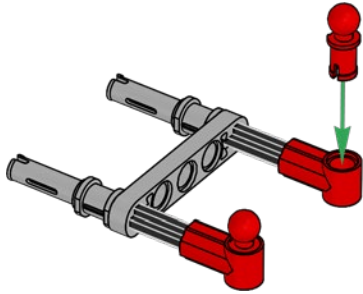


51

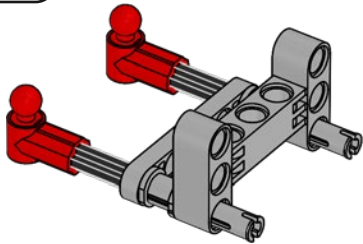




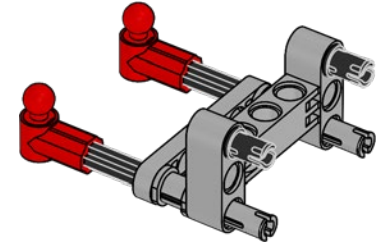
52



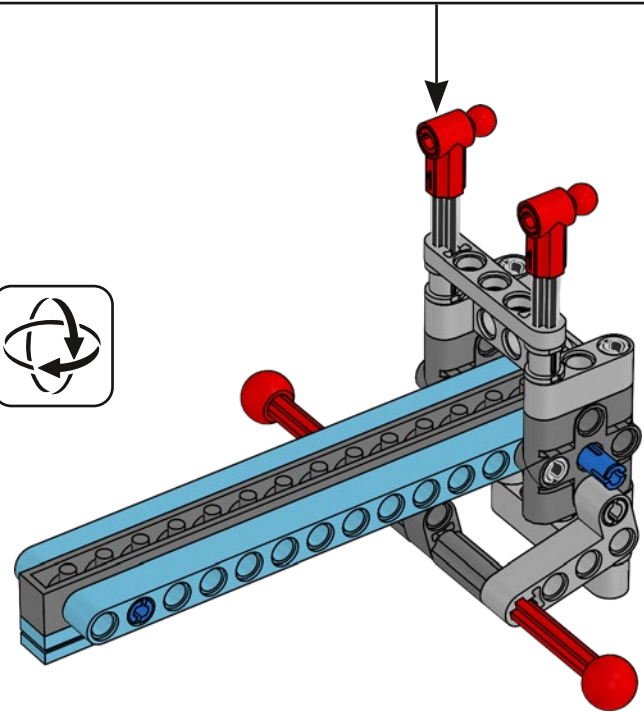
53



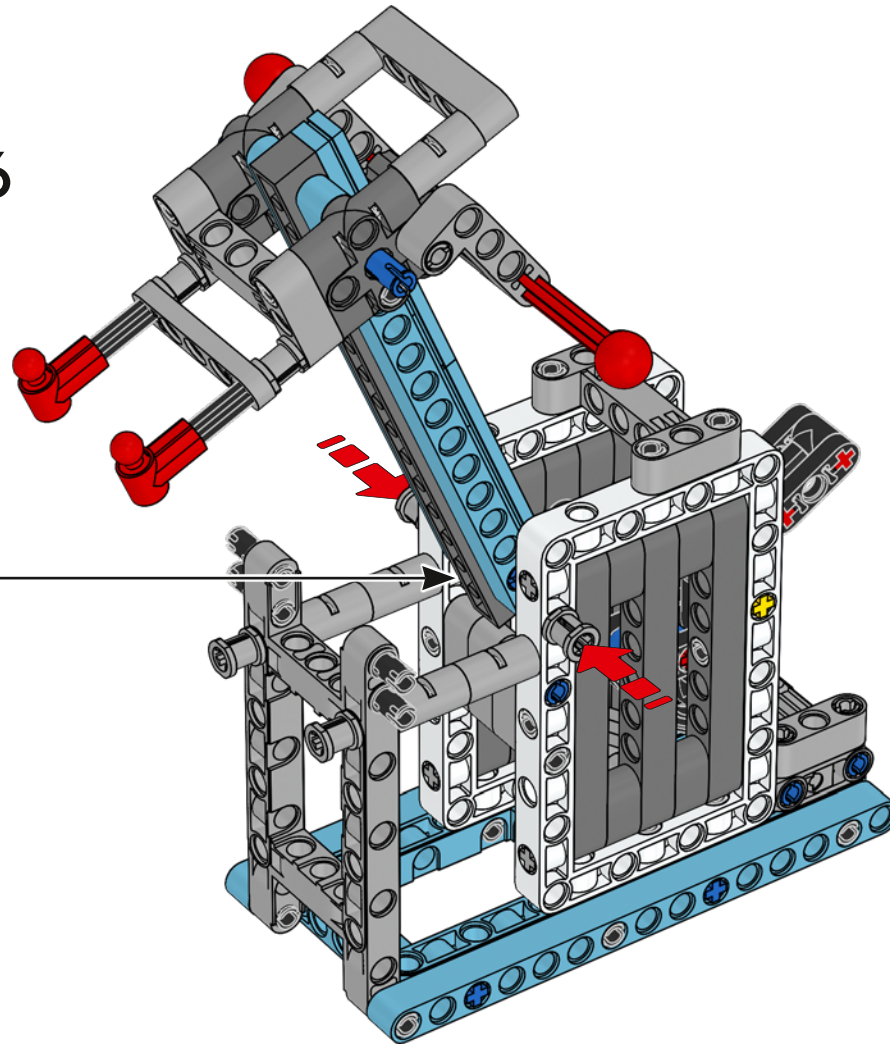
54

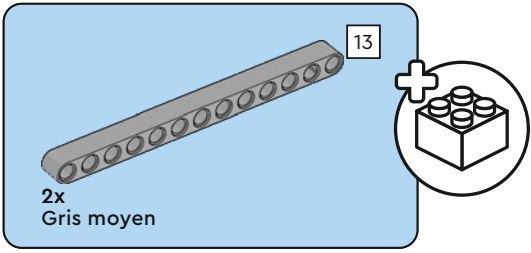


55

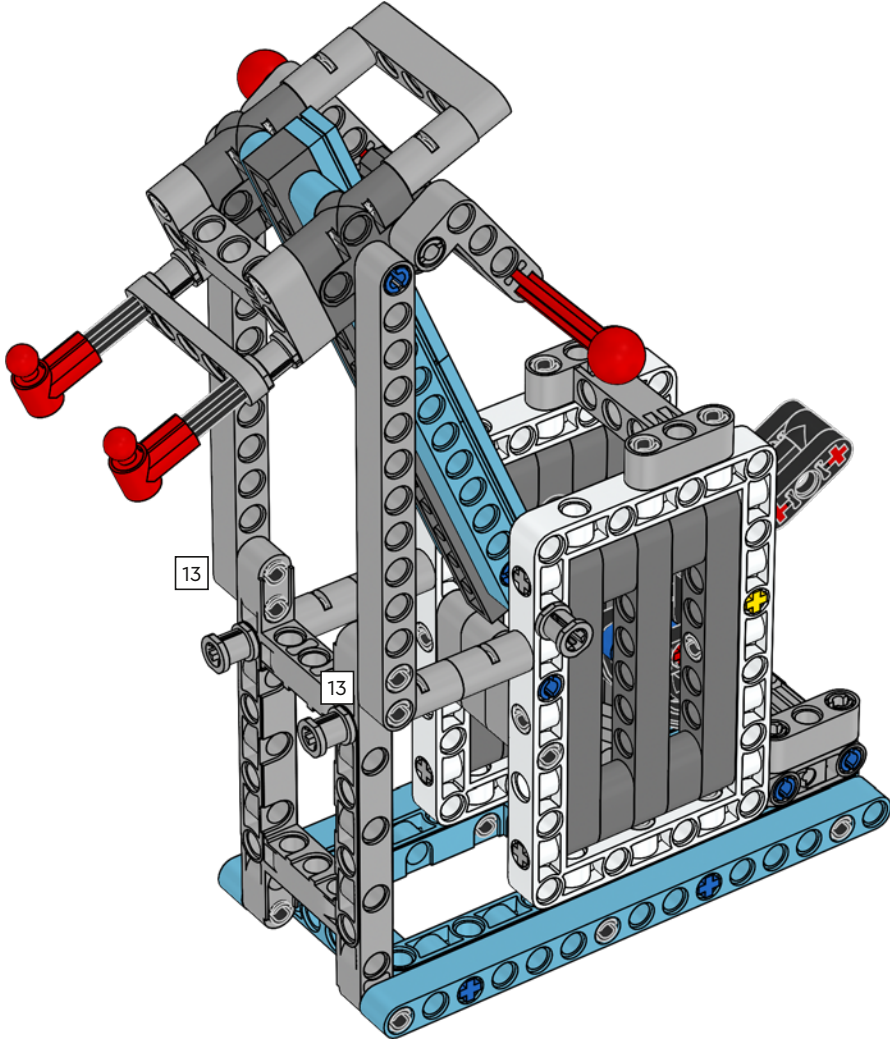


56





57



LEGO and the LEGO logo are trademarks of the/son des marques de commerce du/son marcas registradas de LEGO Group.
© 2022 The LEGO Group.
FIRST™ is a registered trademark of For Inspiration and Recognition of Science and Technology (FIRST). LEGO® is a registered trademark of the LEGO Group. FIRST™, LEGO® "League and SUPERPOWERED™" are jointly held trademarks of FIRST and the LEGO Group.
© 2022 FIRST and the LEGO Group. All rights reserved.