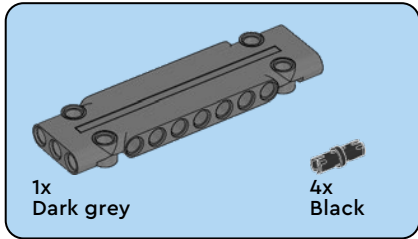
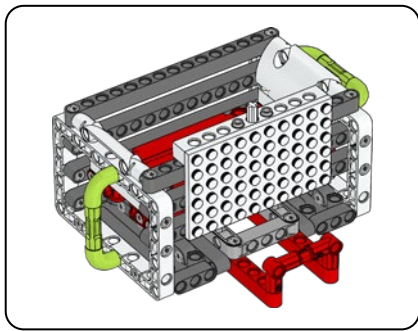
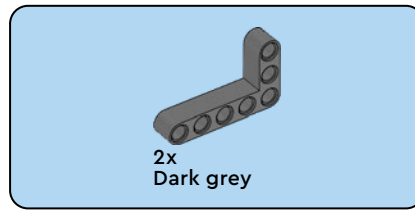
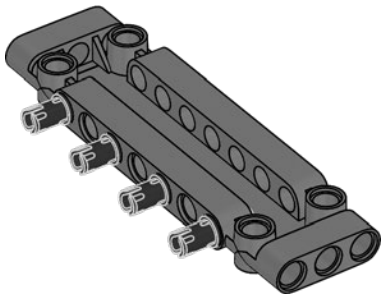


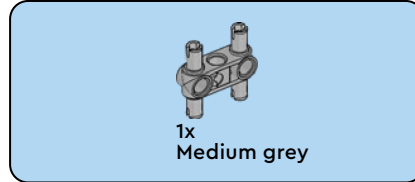
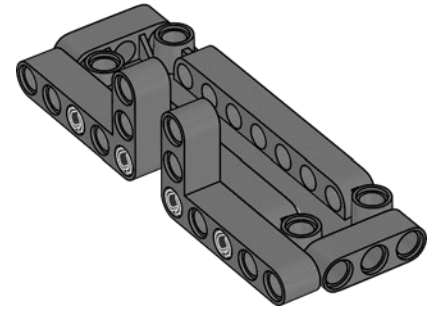
45820



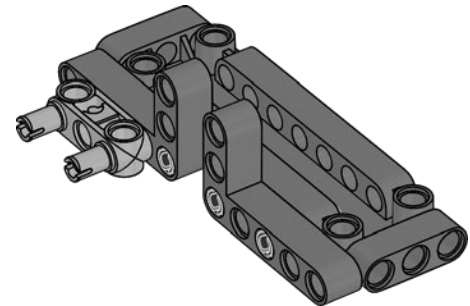
1

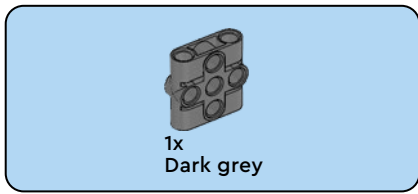


2

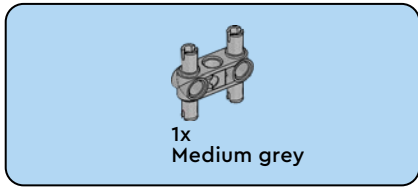
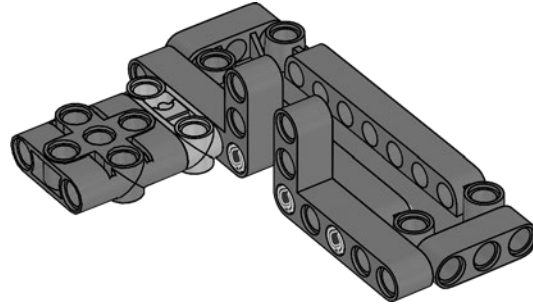


3

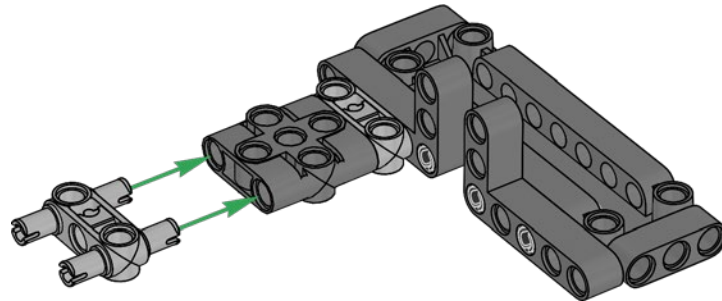


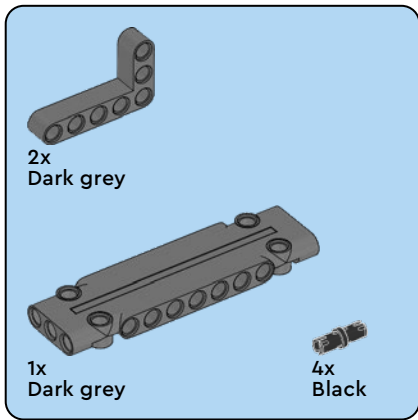


4

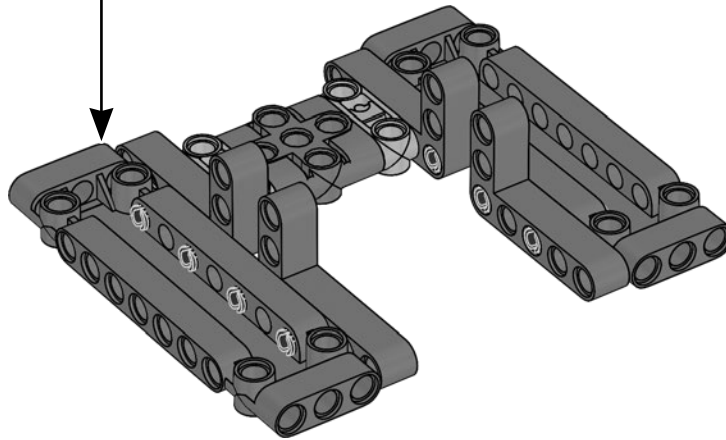
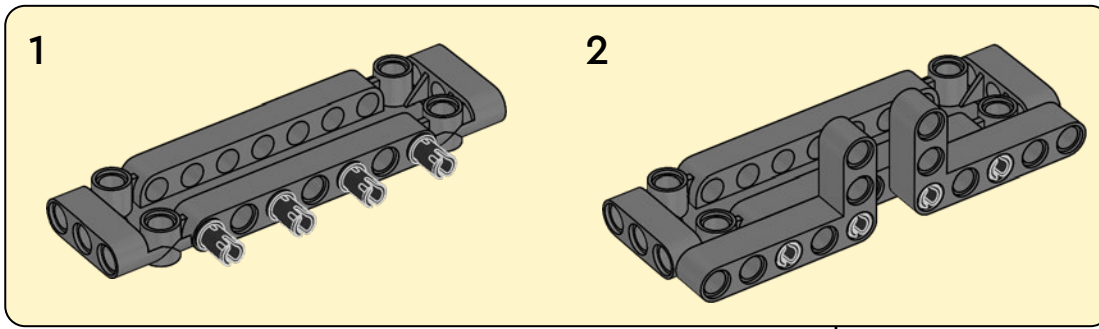


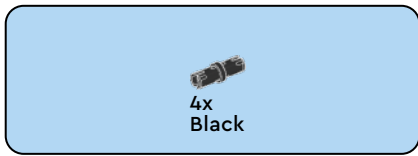
5



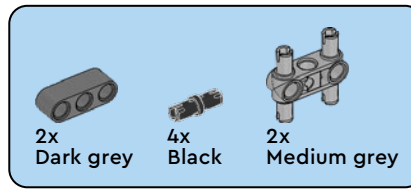
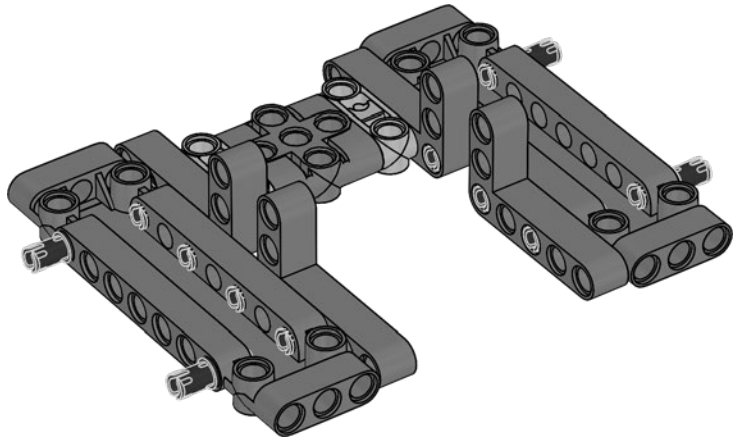


6

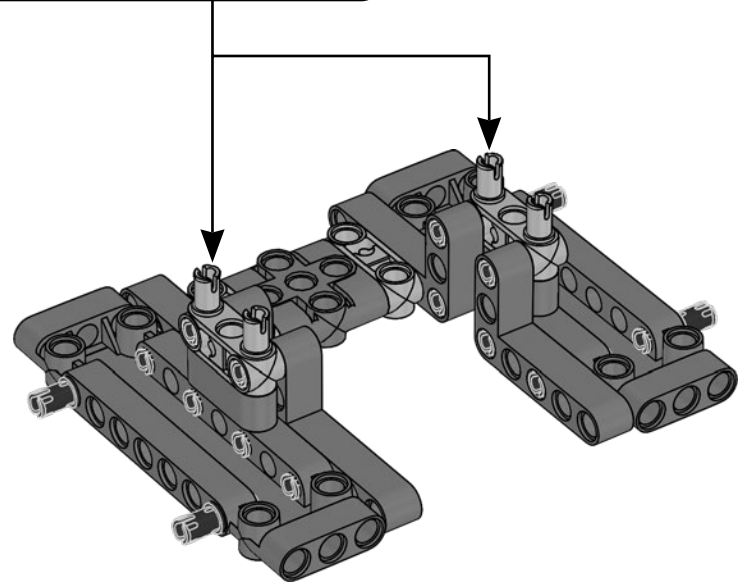
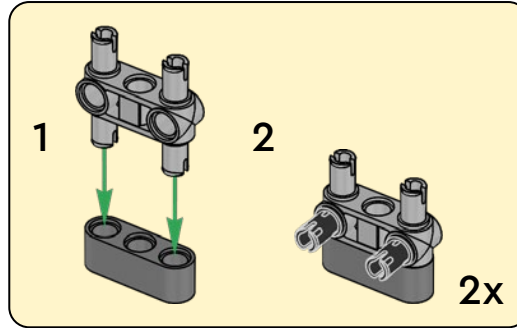


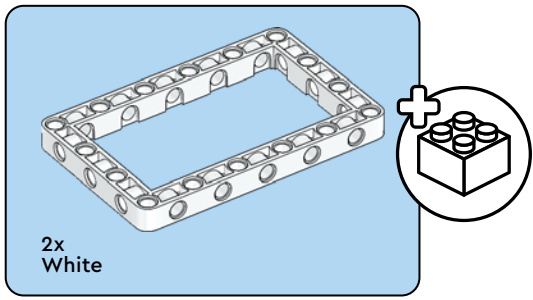


7

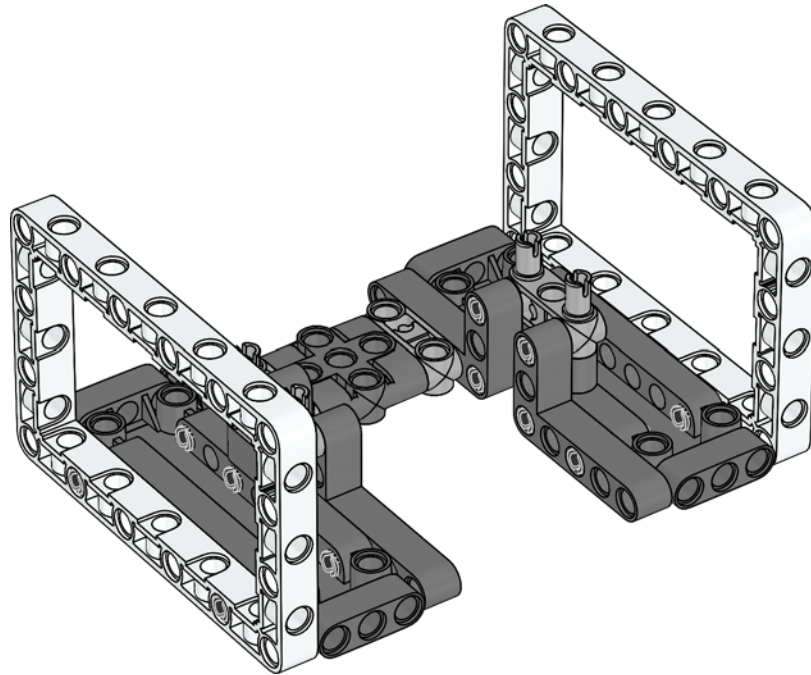


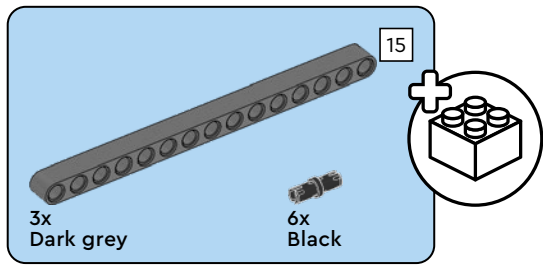
8



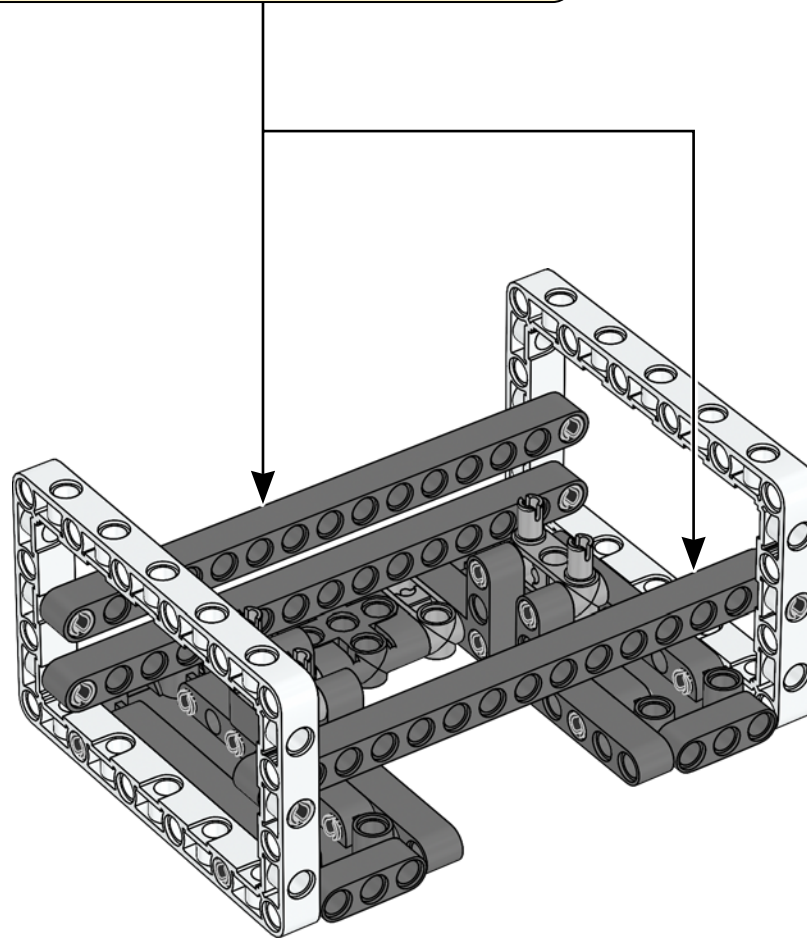
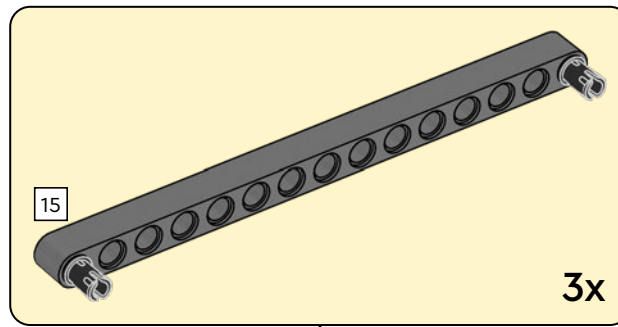


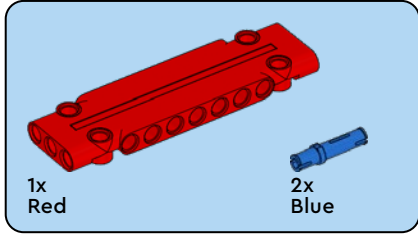
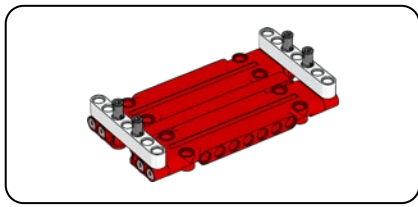
9



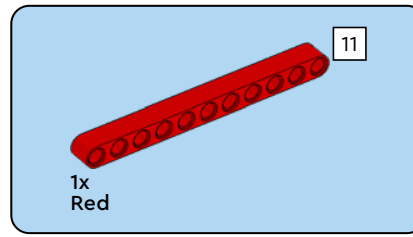
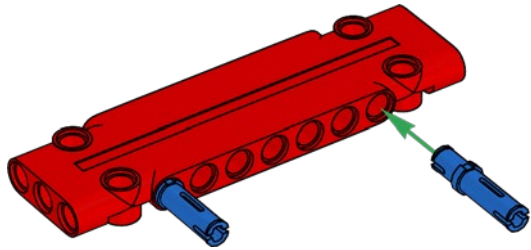


10

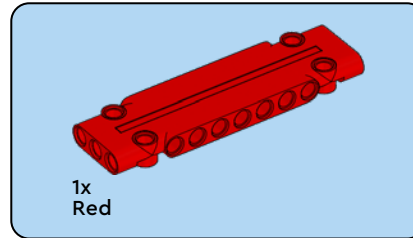
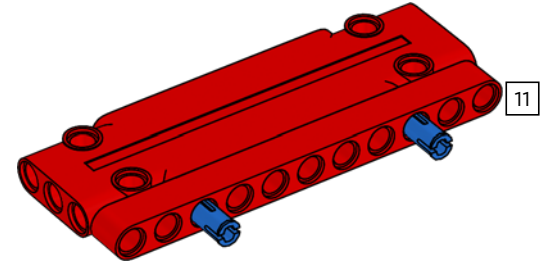




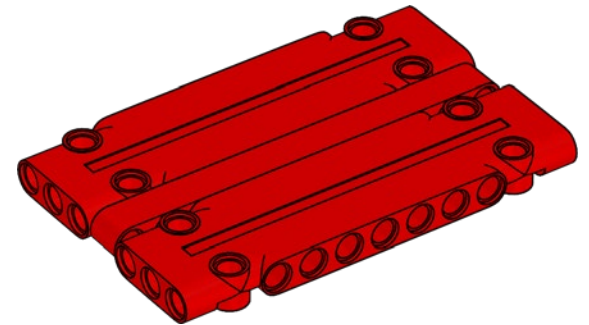
11

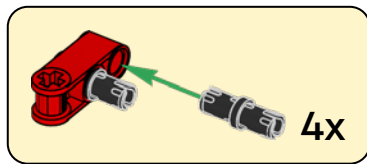
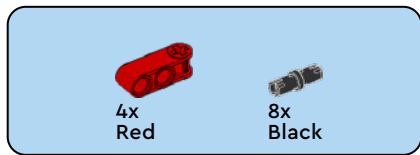


12

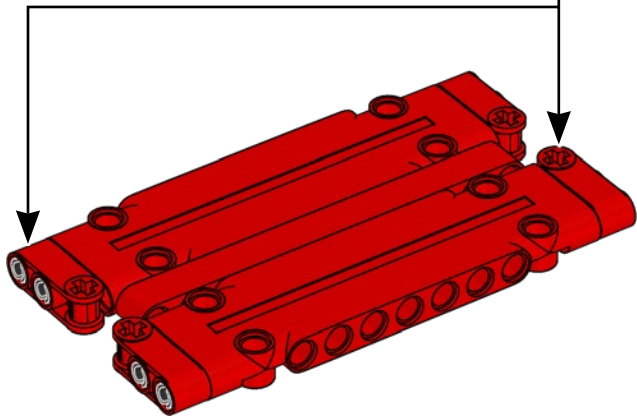


13

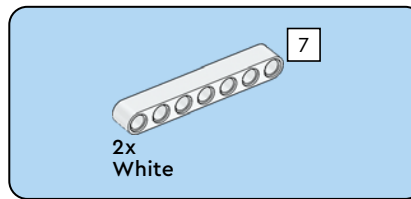
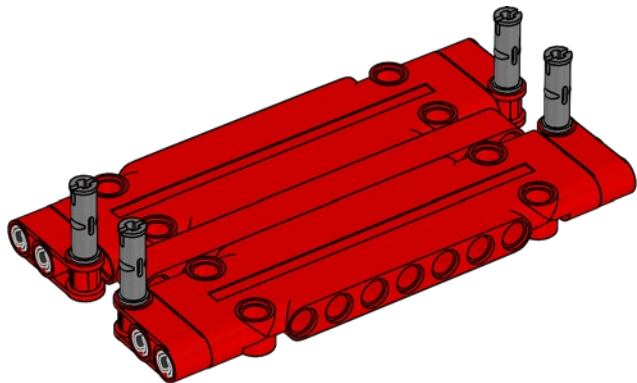




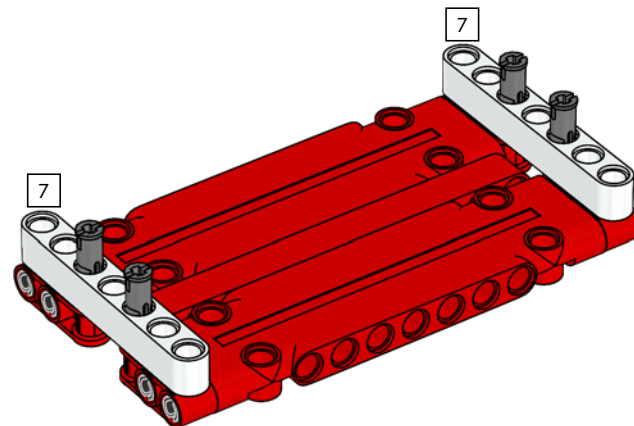
14



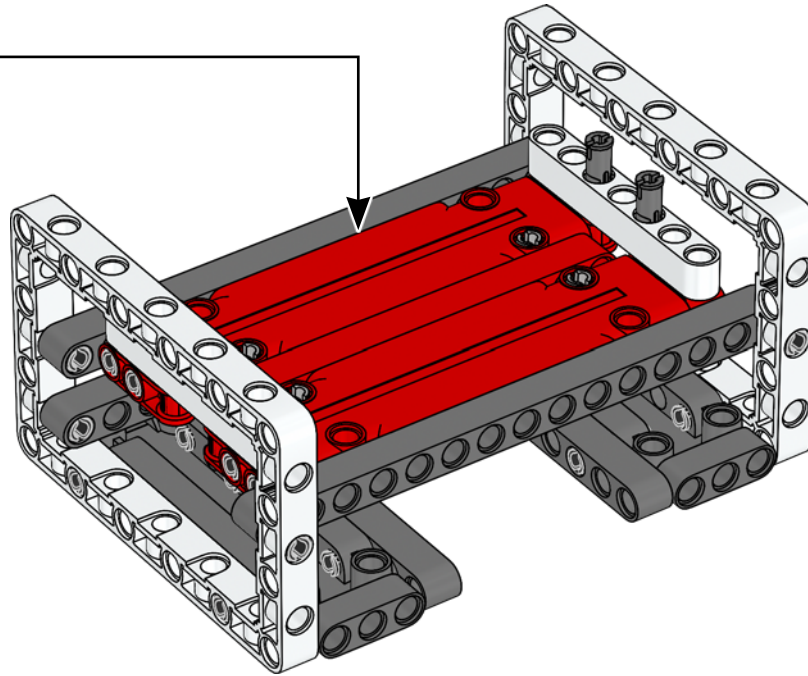
15

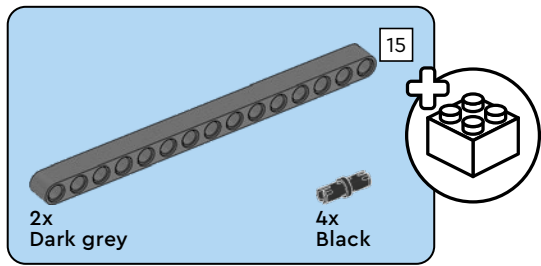


16

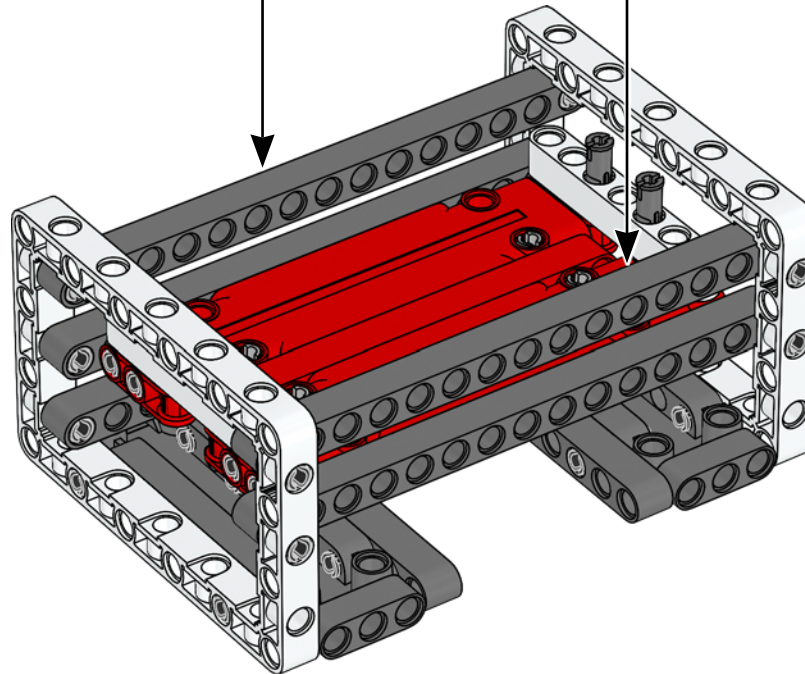
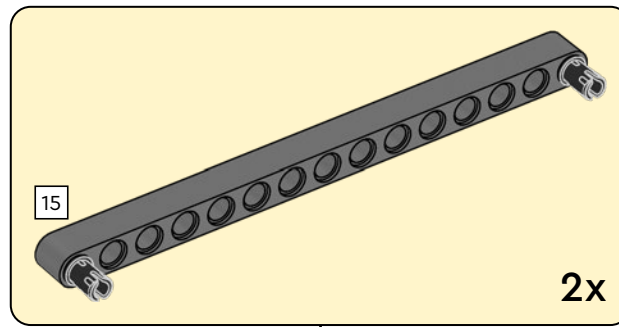


17





18

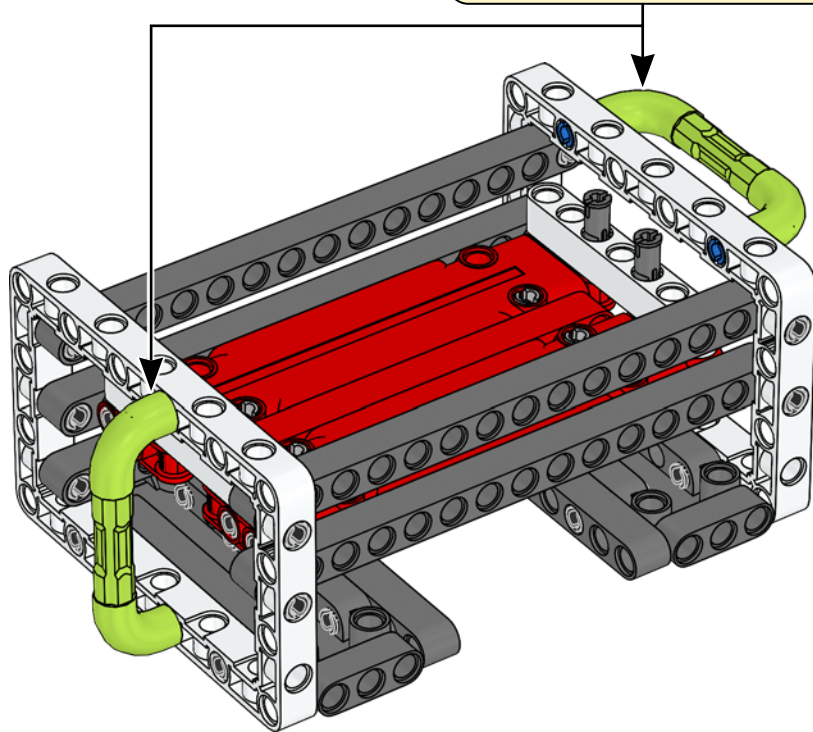


4x Red
4x Bright yellowish green
4x Blue
2x Bright yellowish green

19

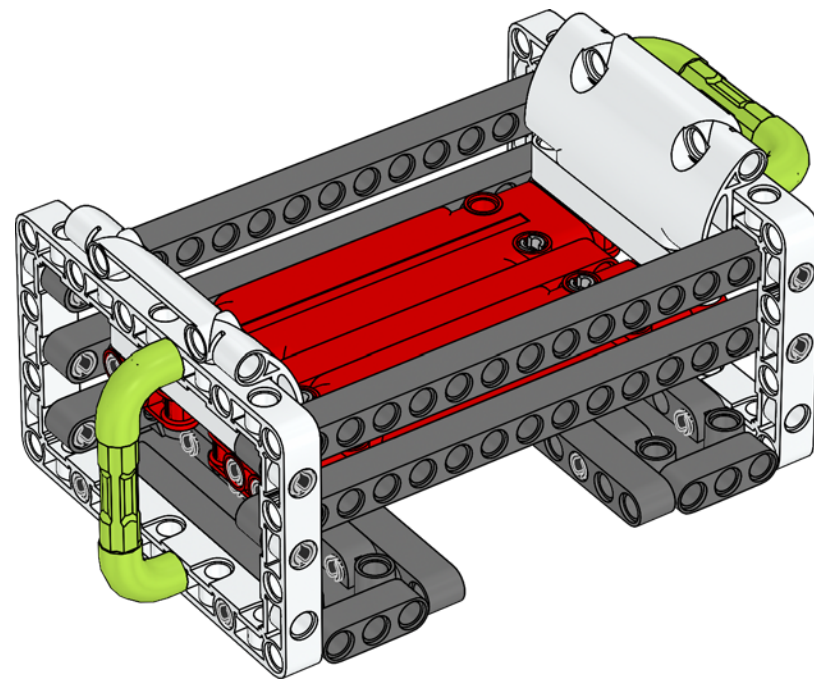
1
2
3

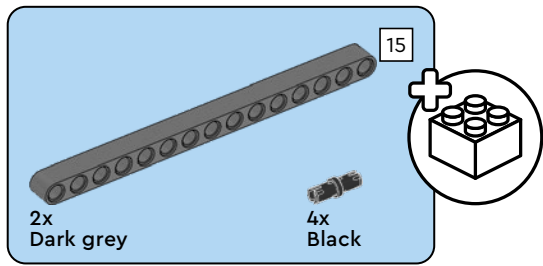
2x



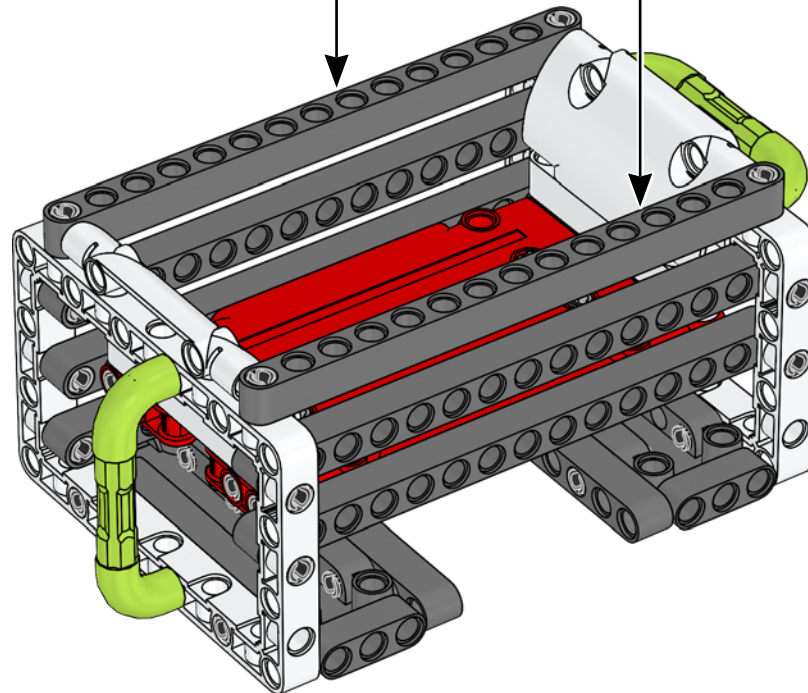
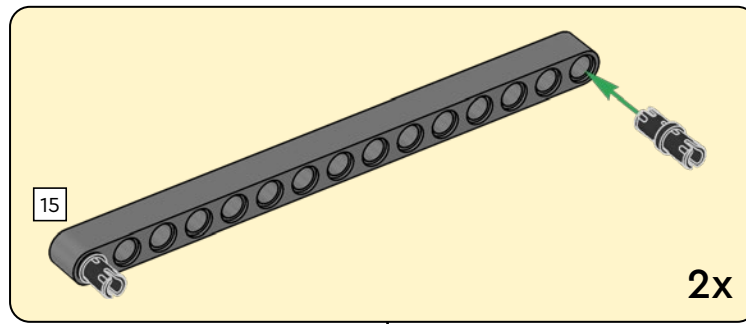
2x White

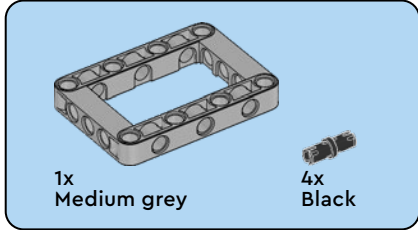
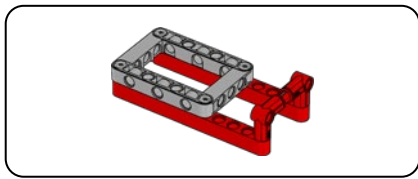
20



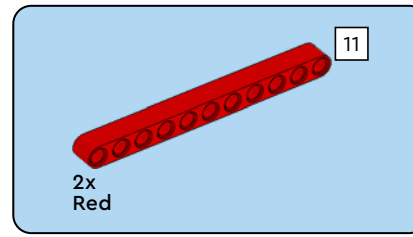
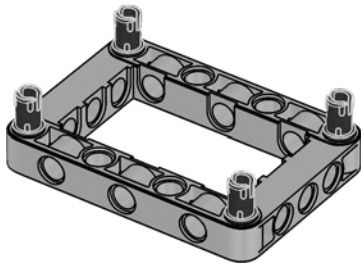


21

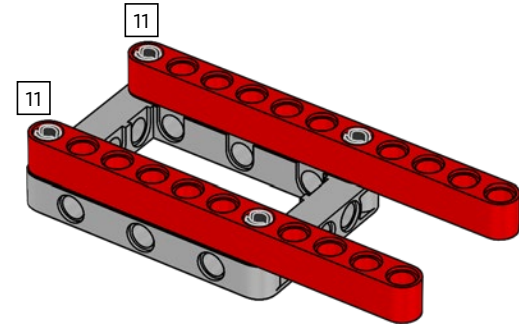


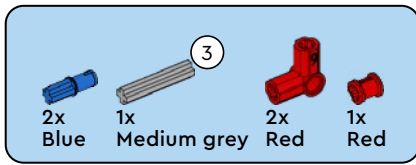


22

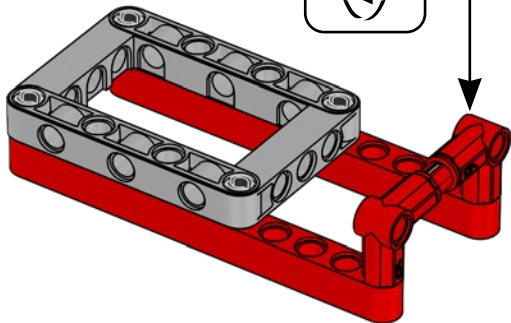
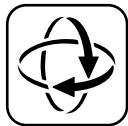
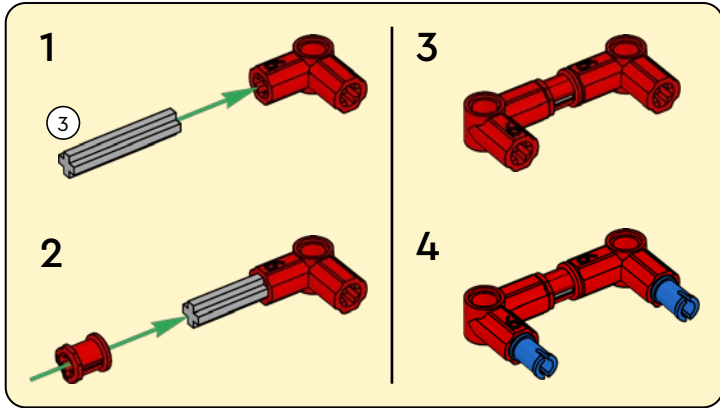


23

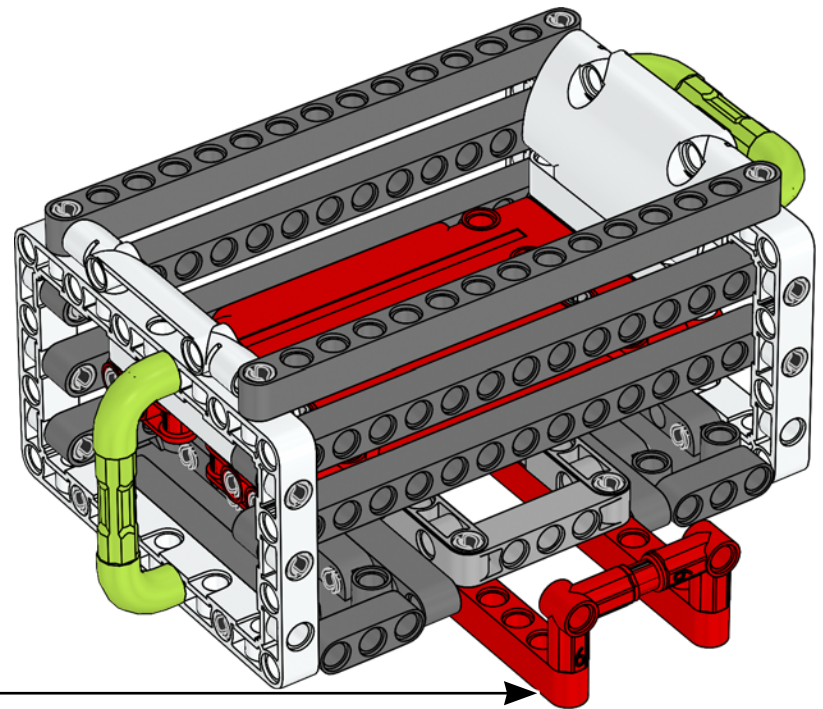


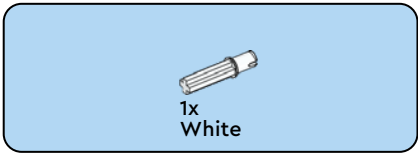


24

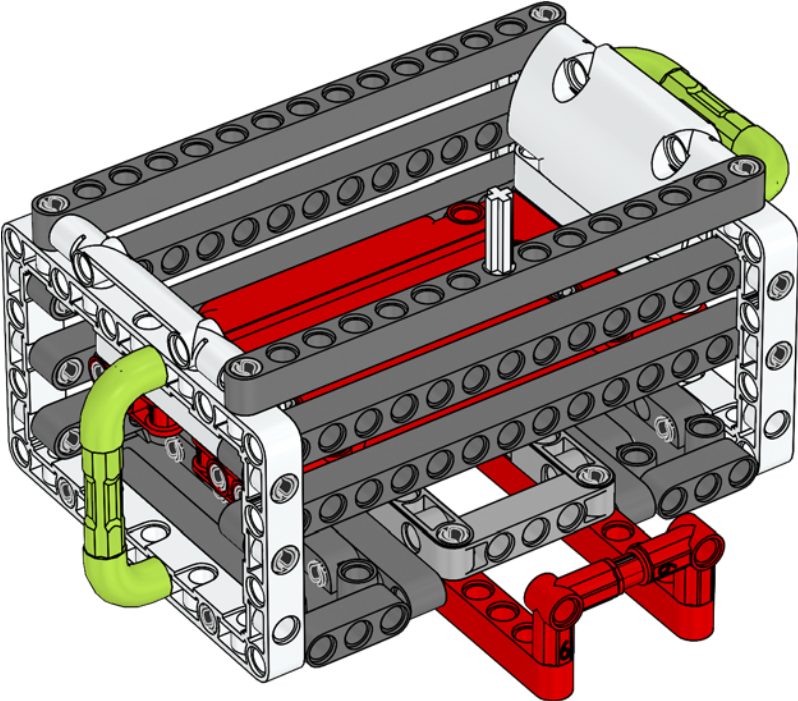


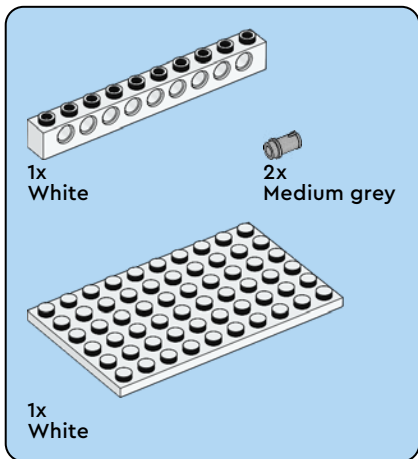
25



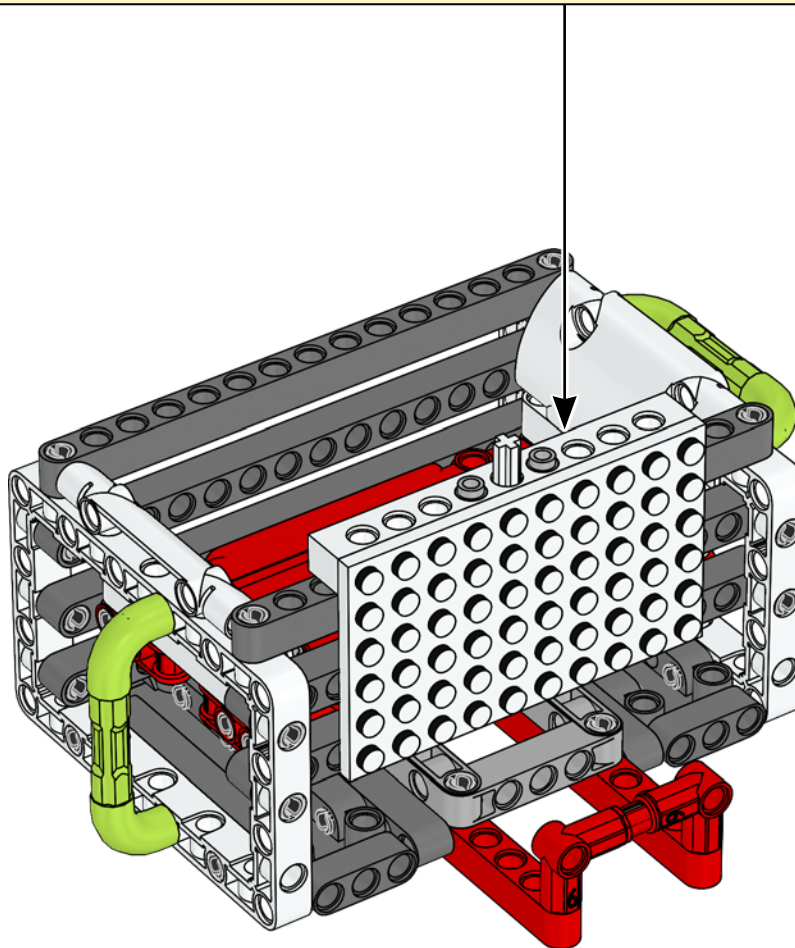
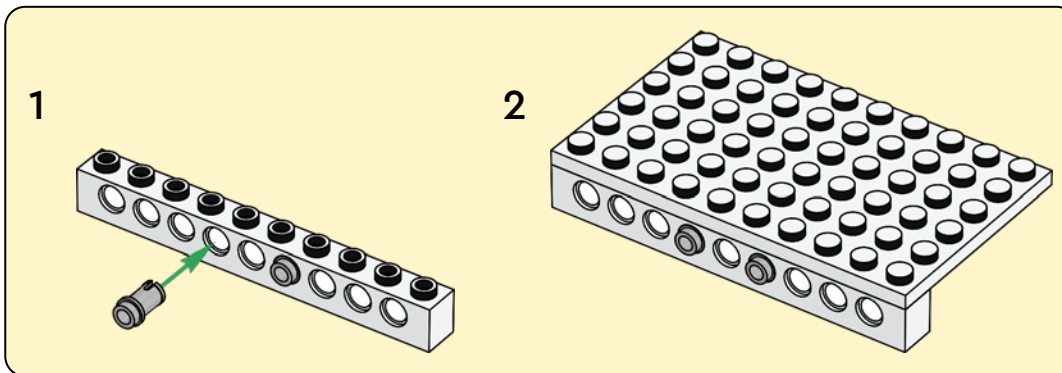


26





27



LEGO and the LEGO logo are trademarks of the/son des marques de commerce du/son marcas registradas de LEGO Group.
 ©2022 The LEGO Group.
 FIRST™ is a registered trademark of For Inspiration and Recognition of Science and Technology (FIRST). LEGO® is a registered trademark of the LEGO Group. FIRST™, LEGO™, LEAGUE and SUPERPOWERED™ are jointly held trademarks of FIRST and the LEGO Group.
 ©2022 FIRST and the LEGO Group. All rights reserved.