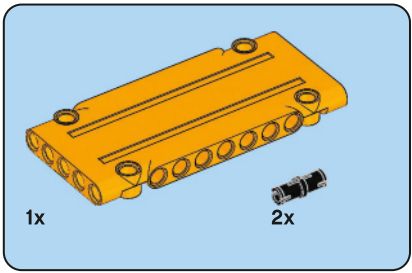
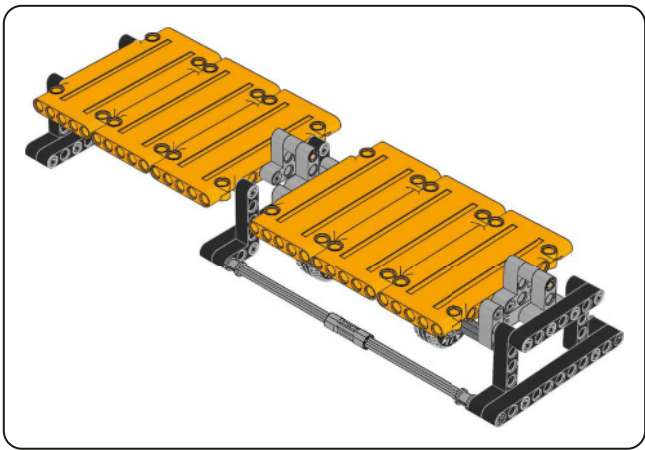
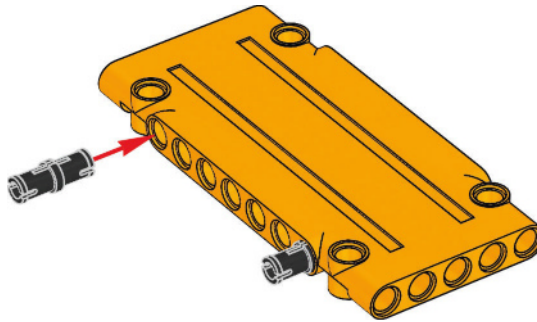


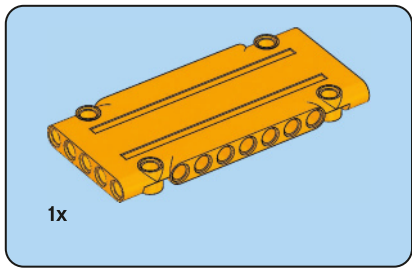
45816



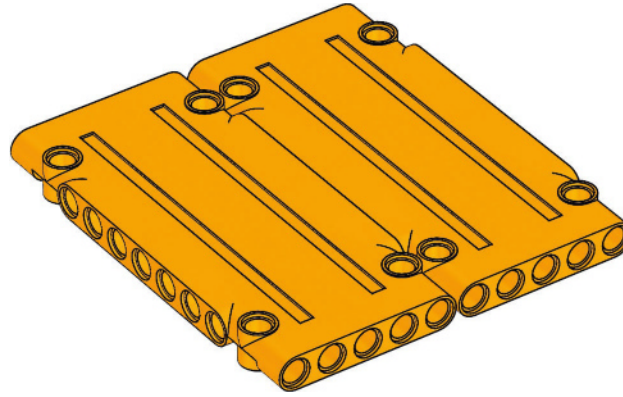


1

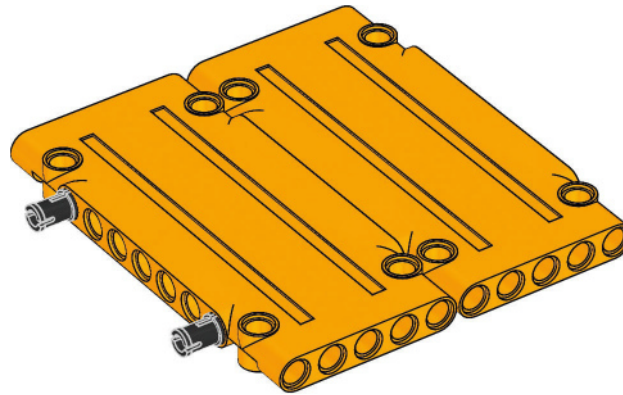


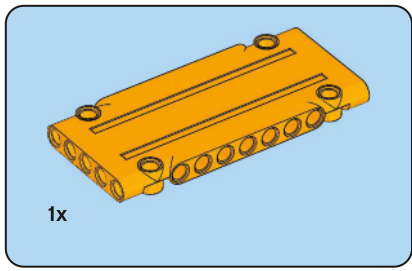


2

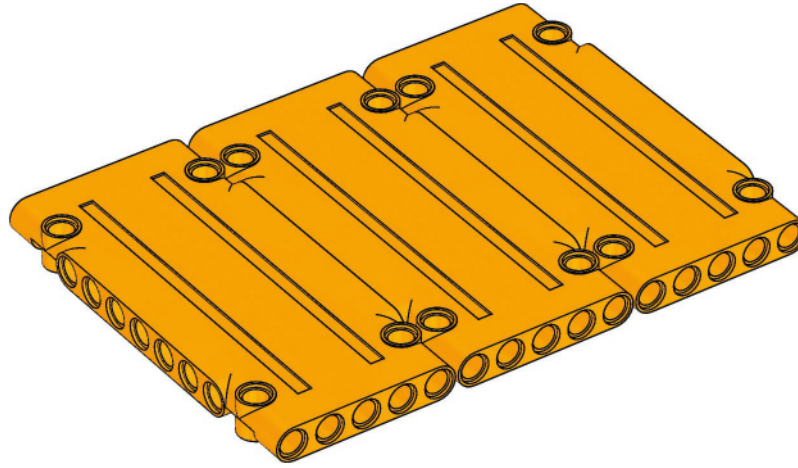


3

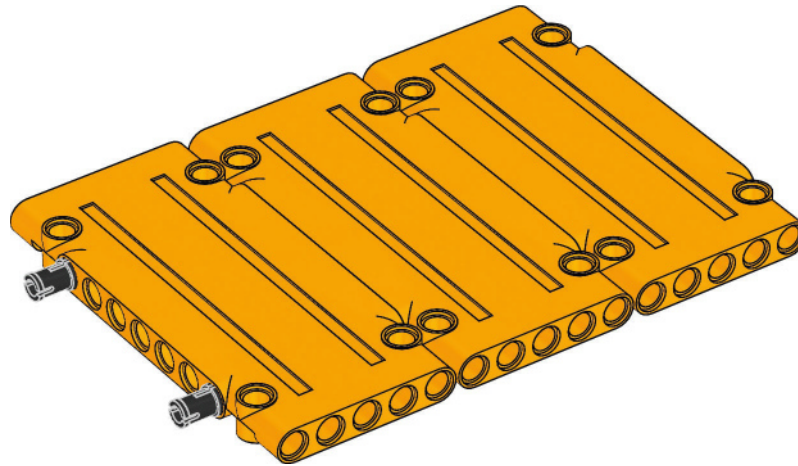


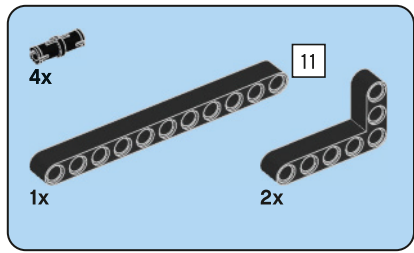


4

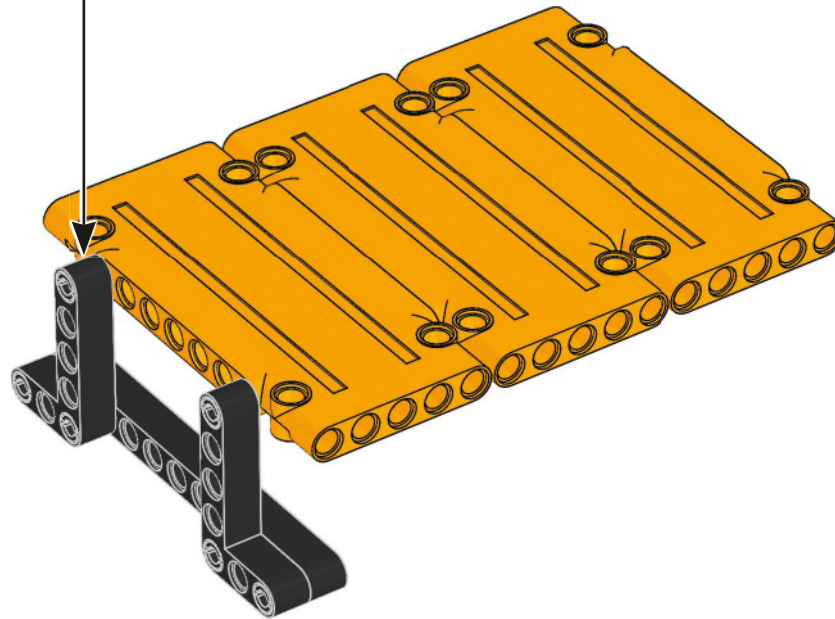
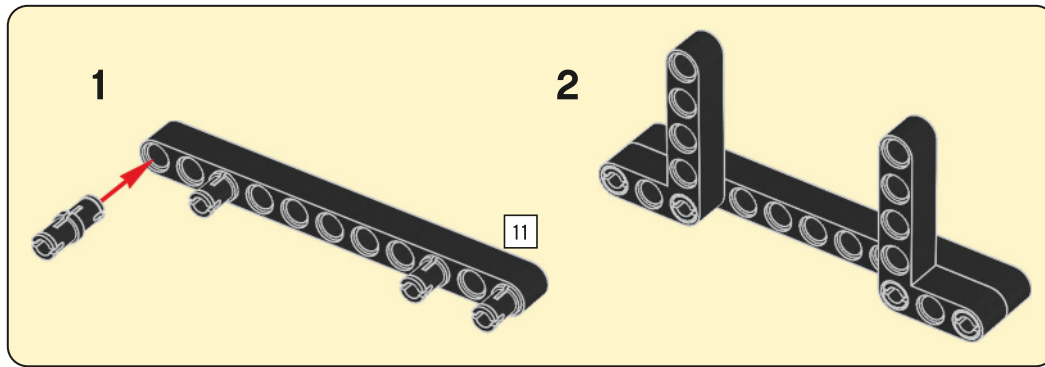


5



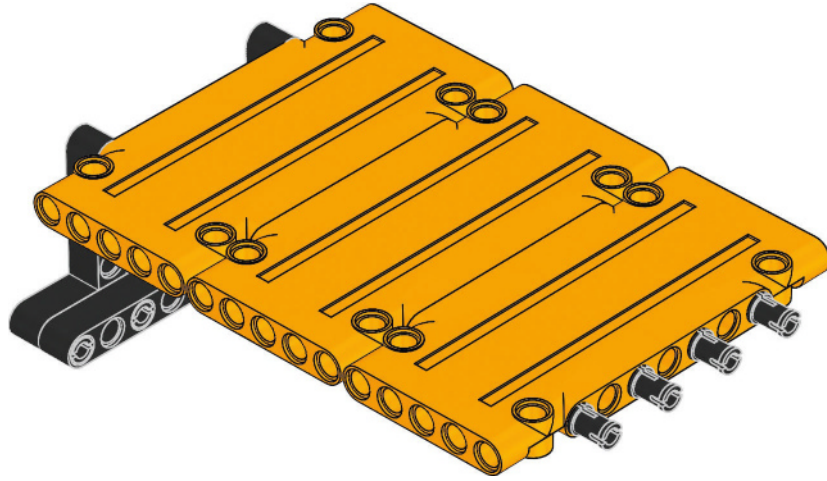


6



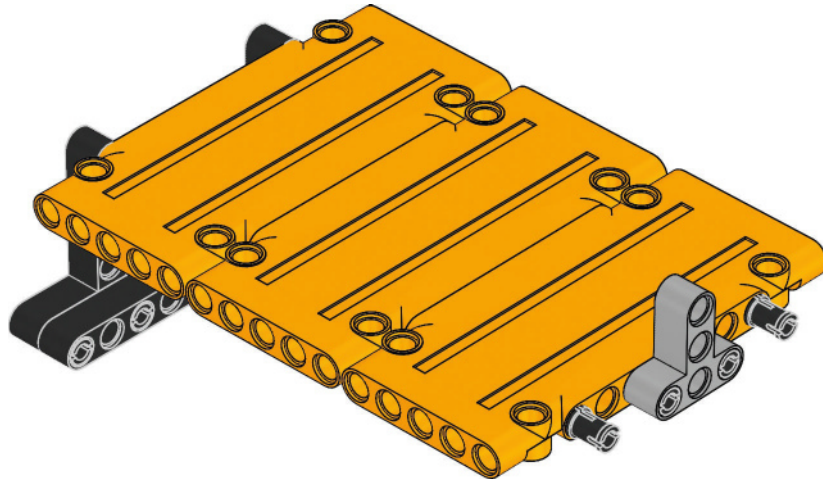
4x

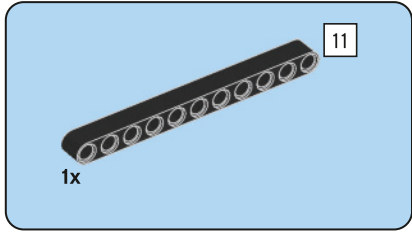
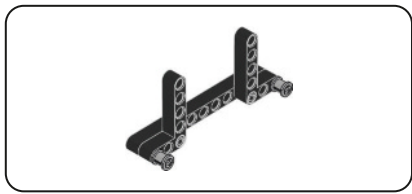
7



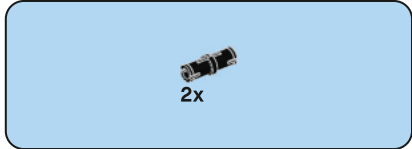
1x

8



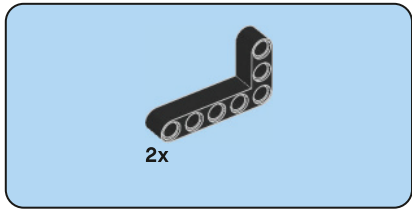


9

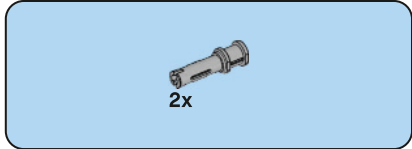
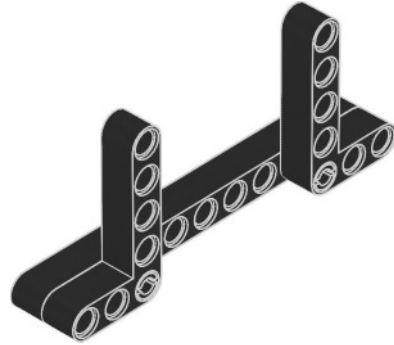


10

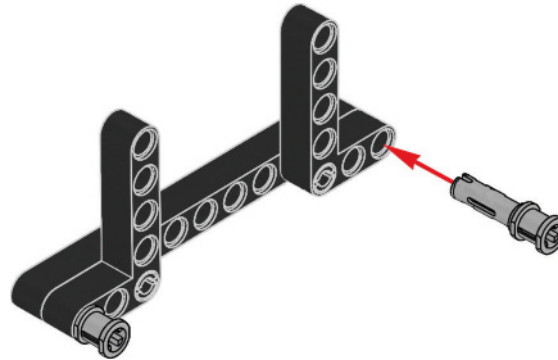


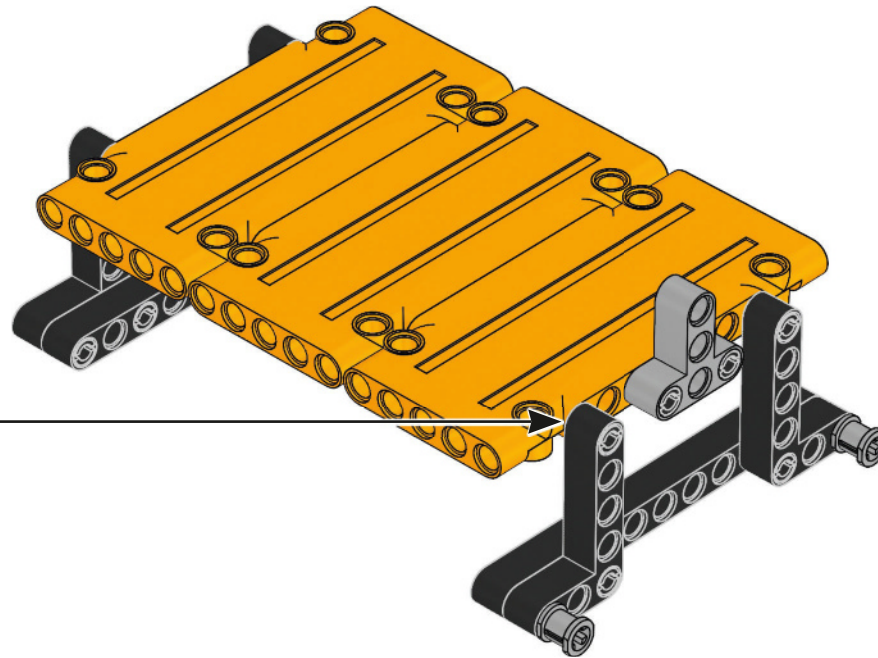


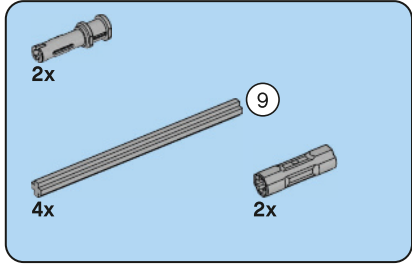
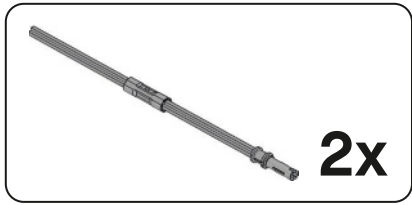
11



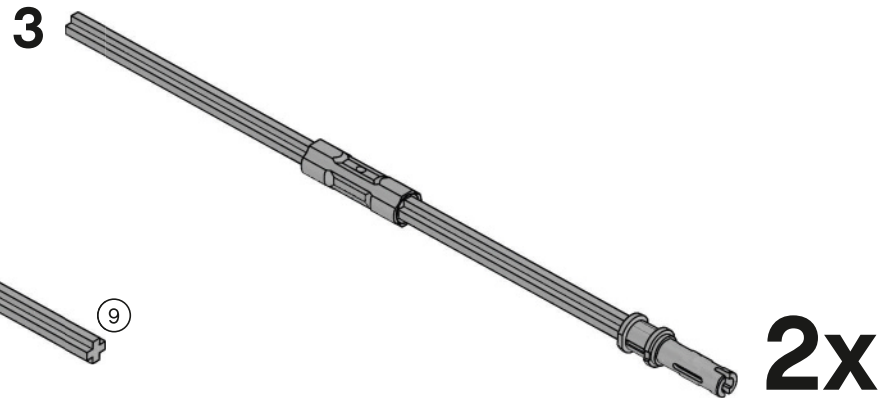
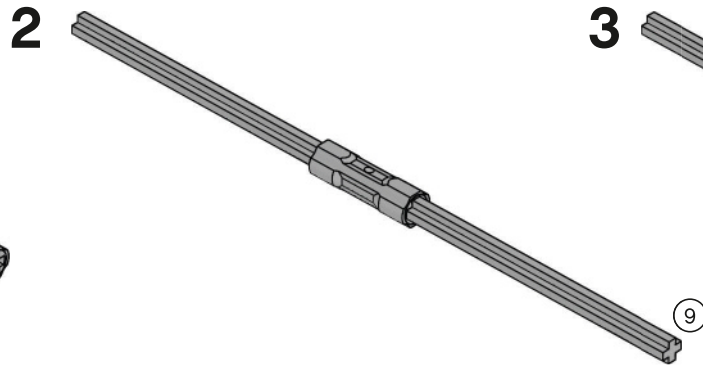
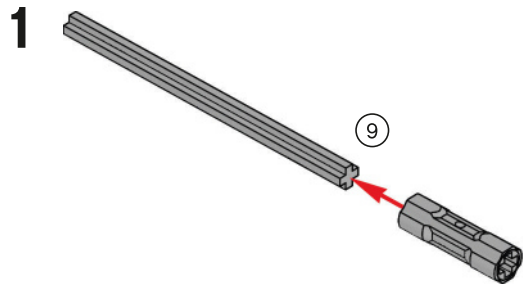
12

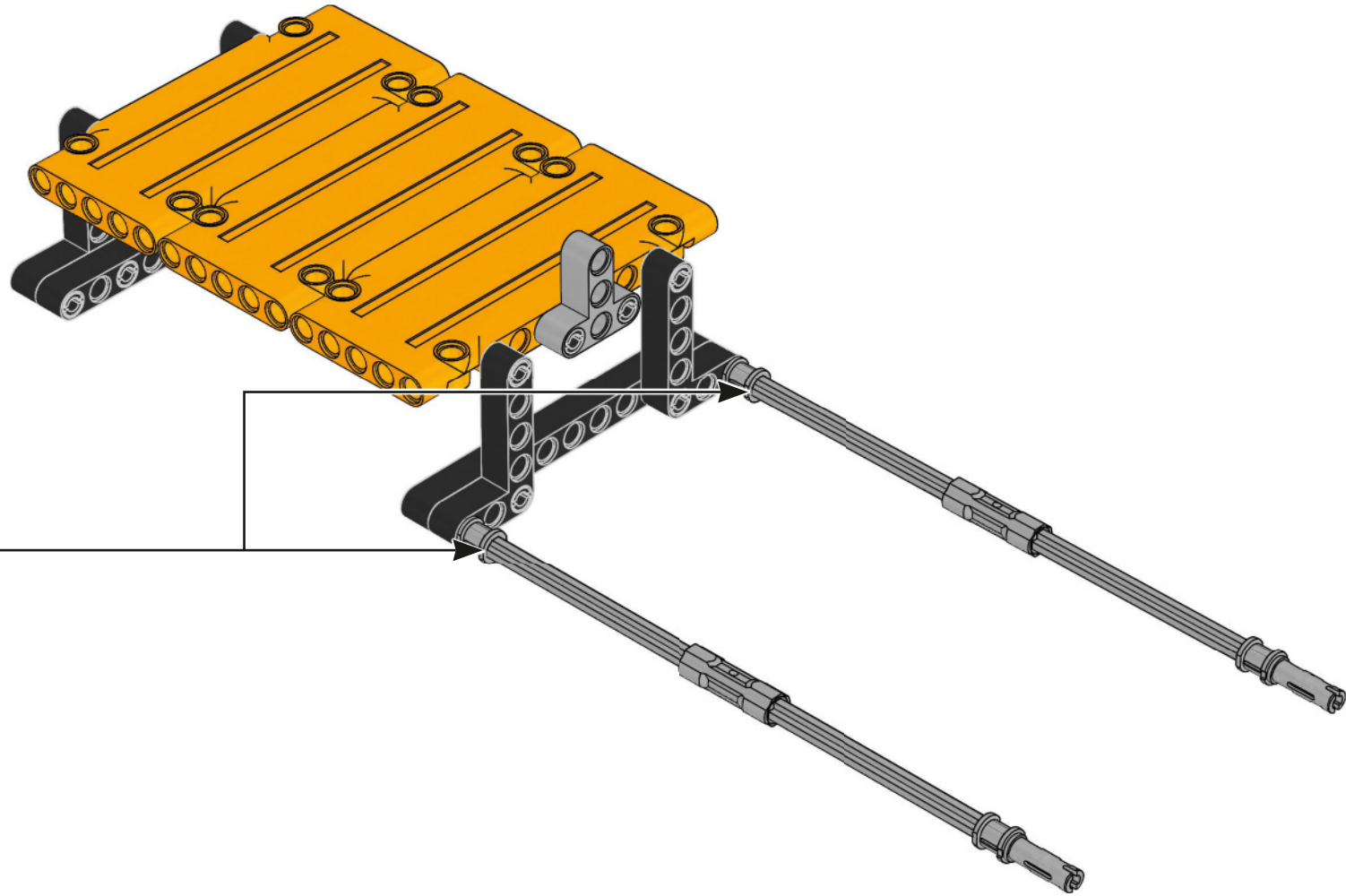


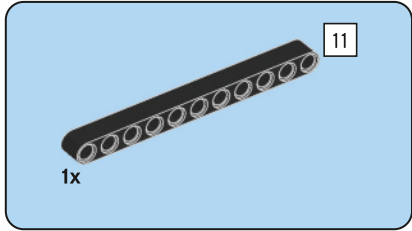
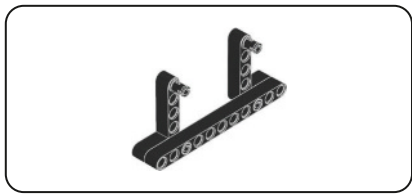




14





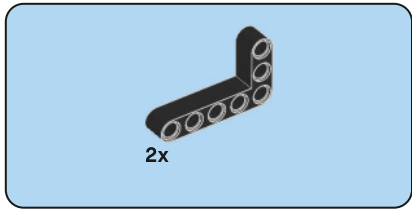


16

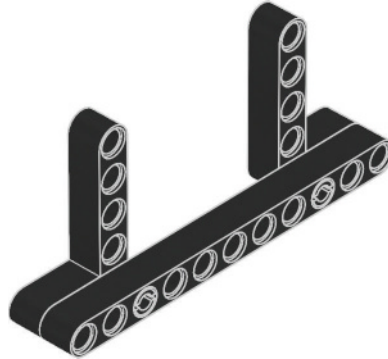


17

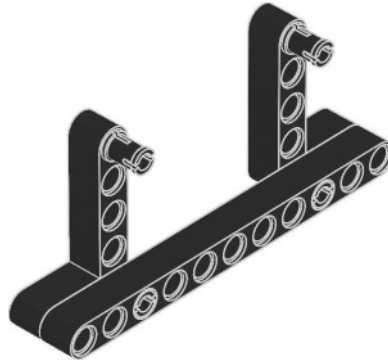


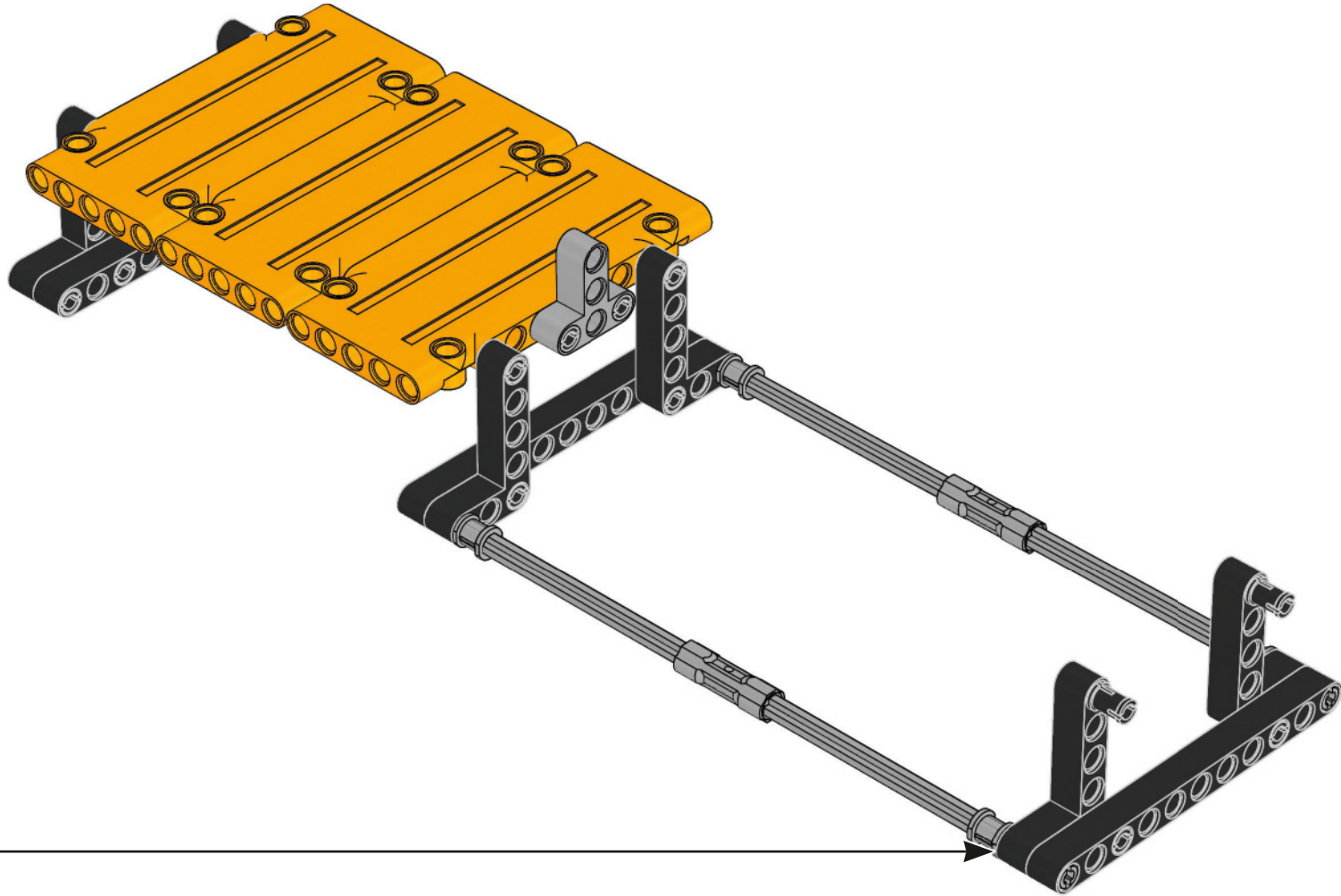


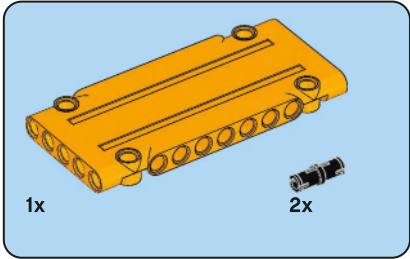
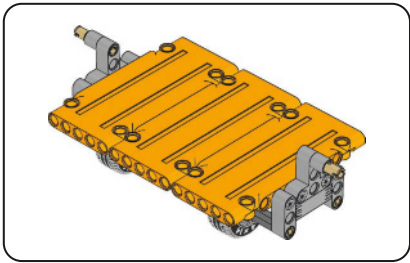
18



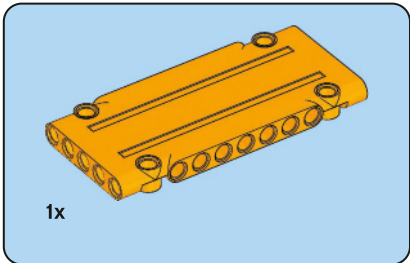
19



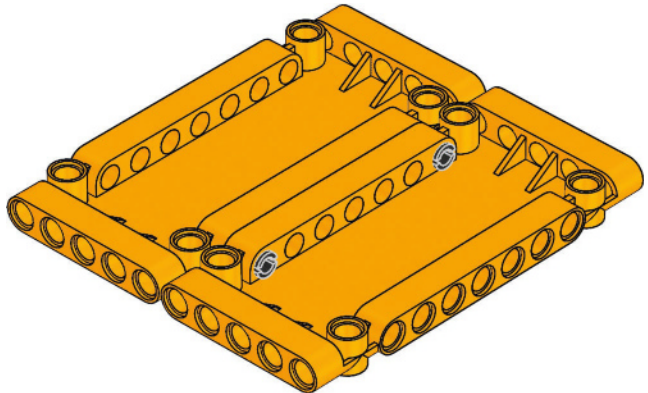
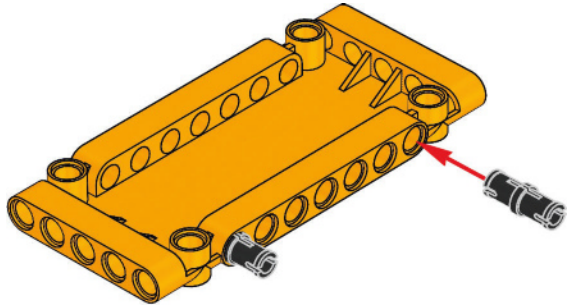




21



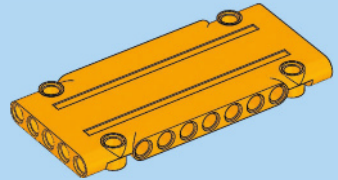
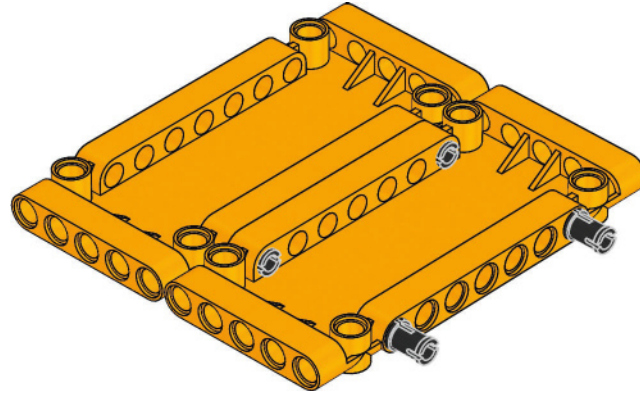
22





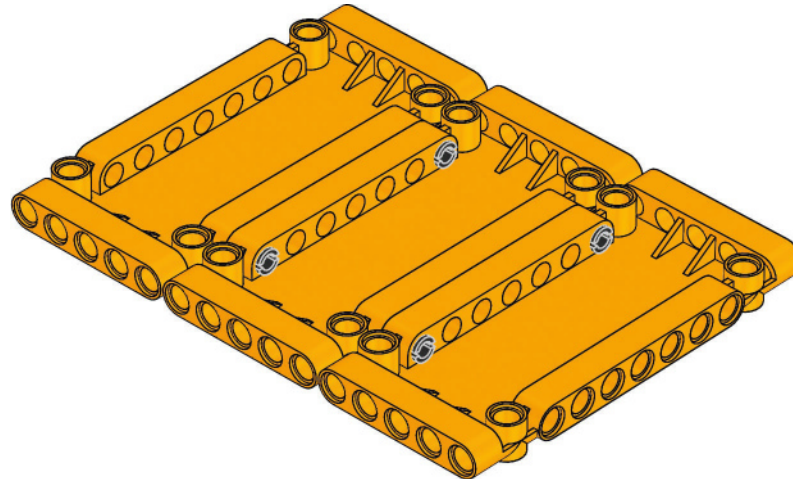
2x

23



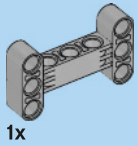
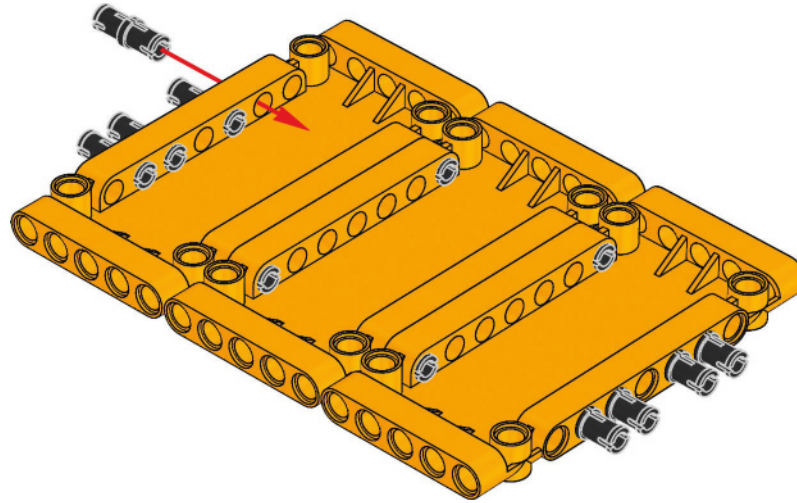
1x

24

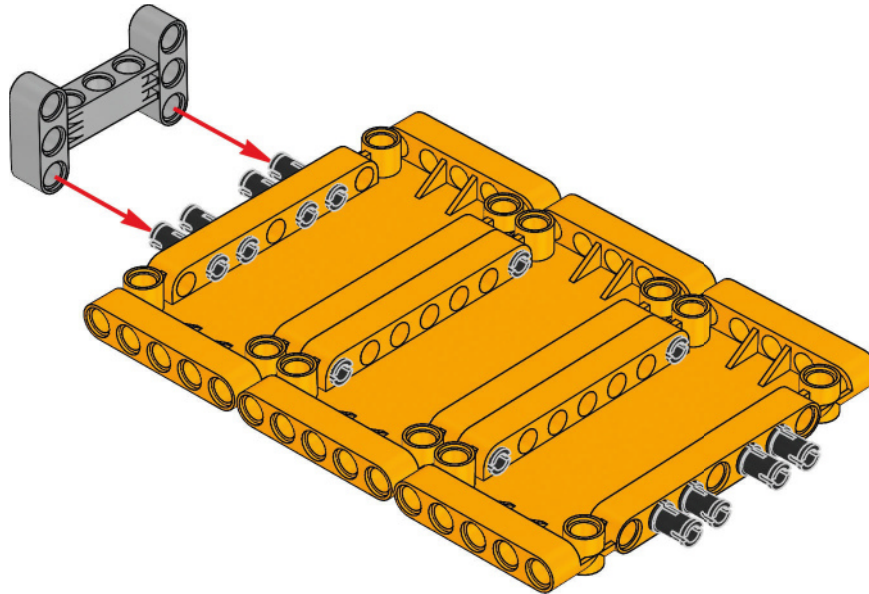


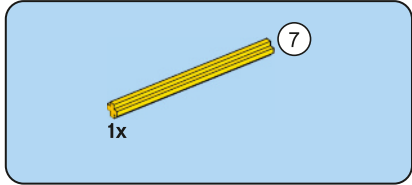
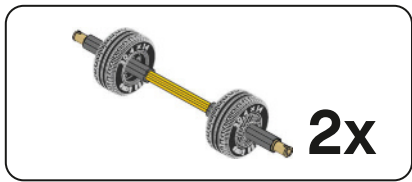
8x

25

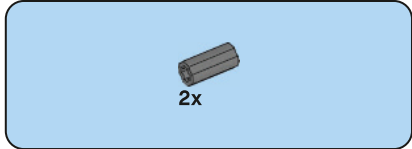


26

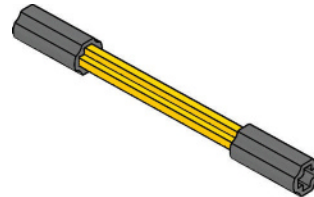
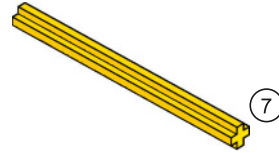


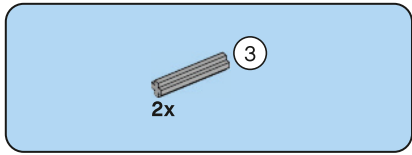


27

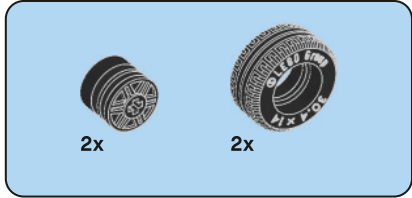
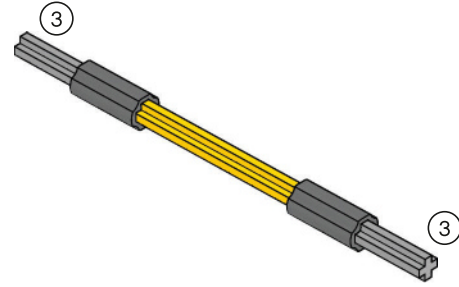


28

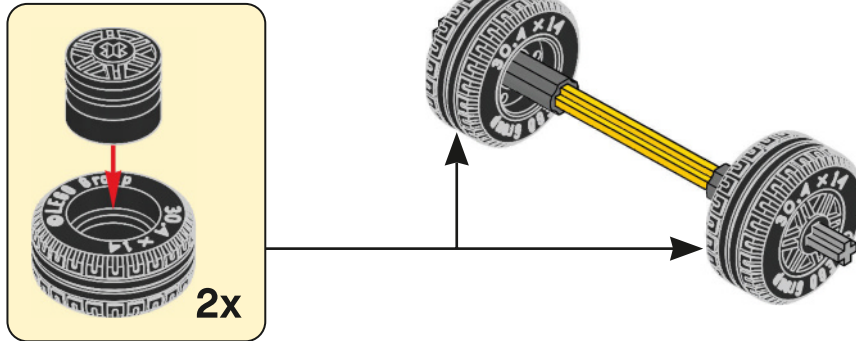


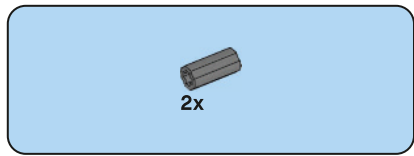


29

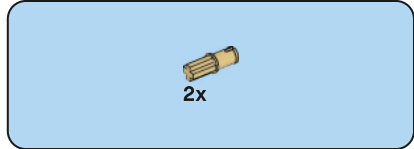
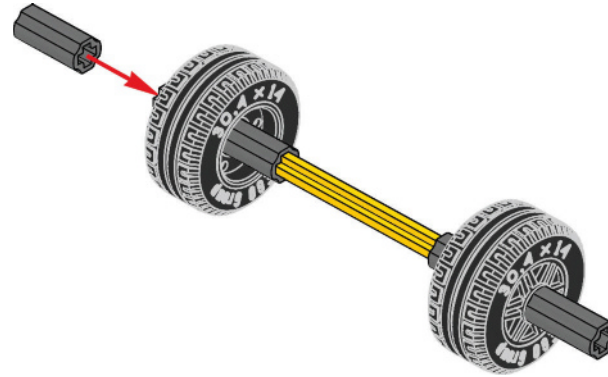


30

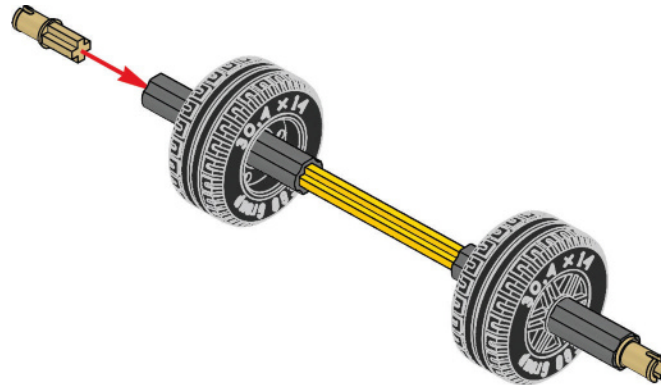




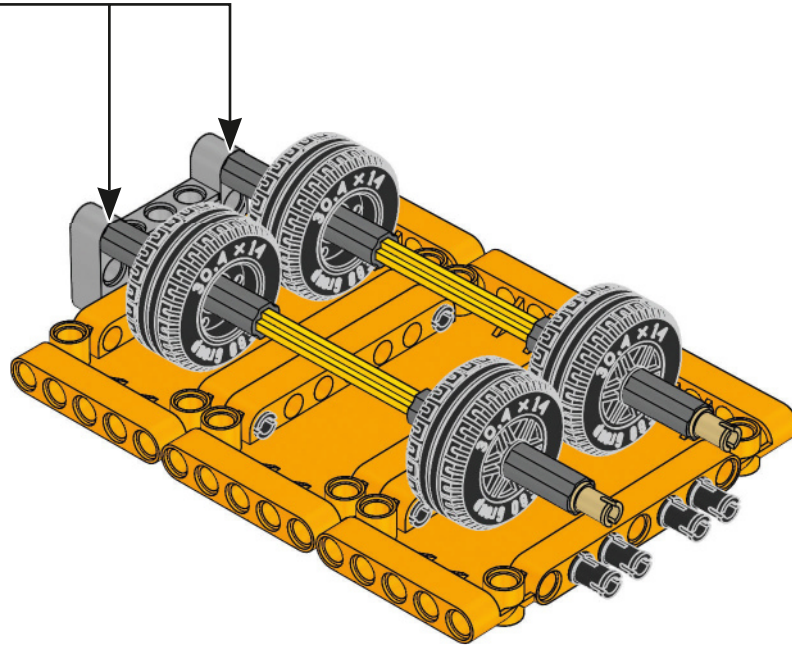
31

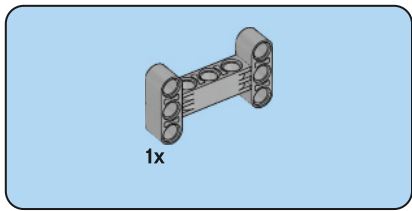


32

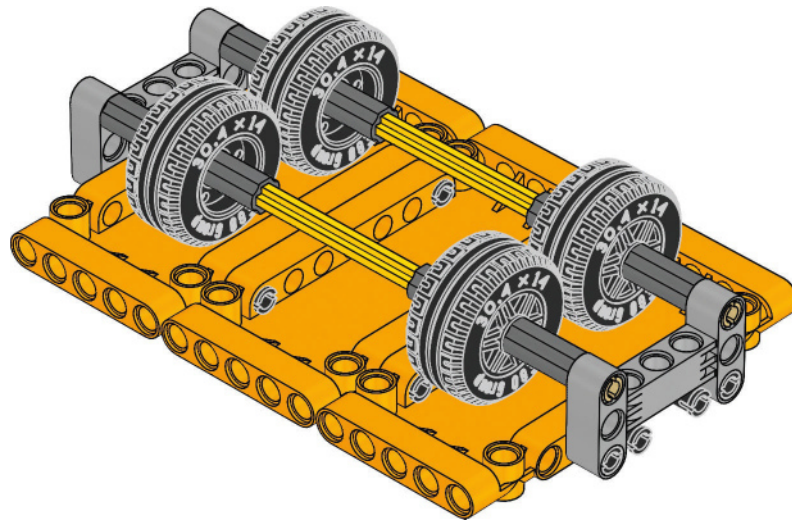


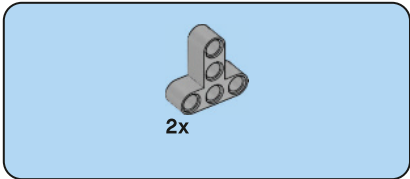
2x



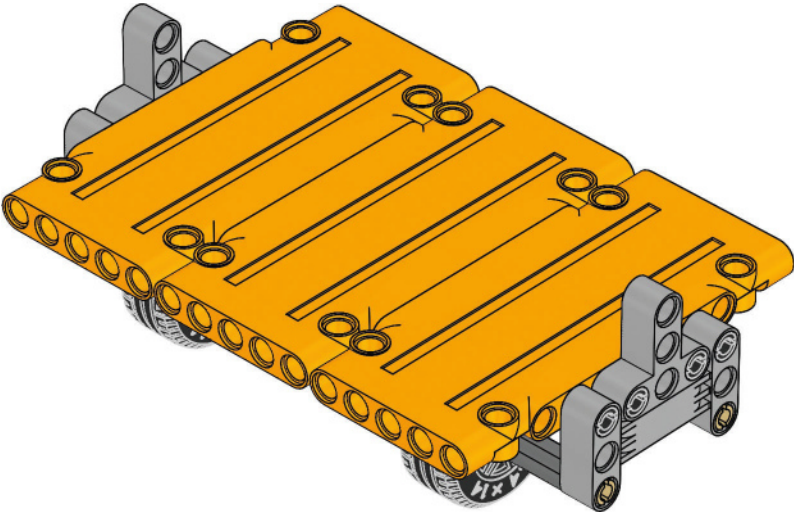


34

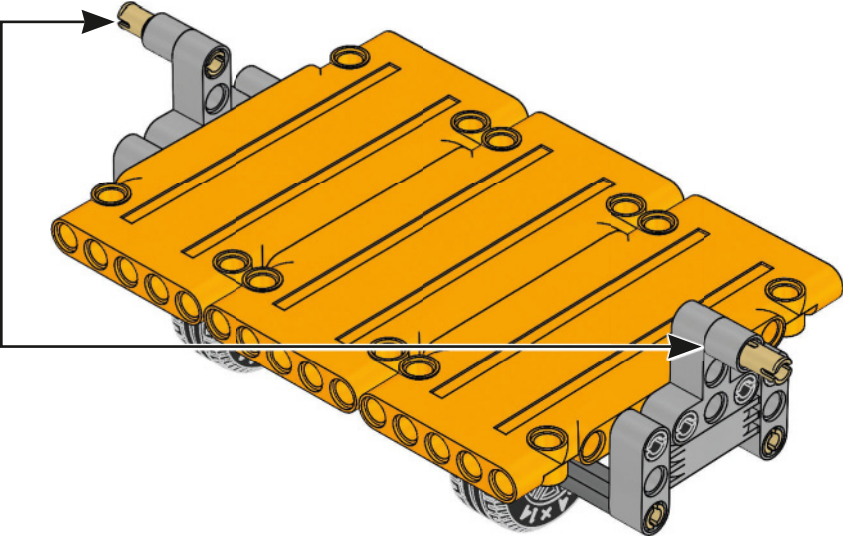
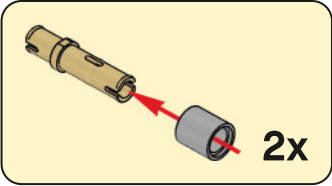


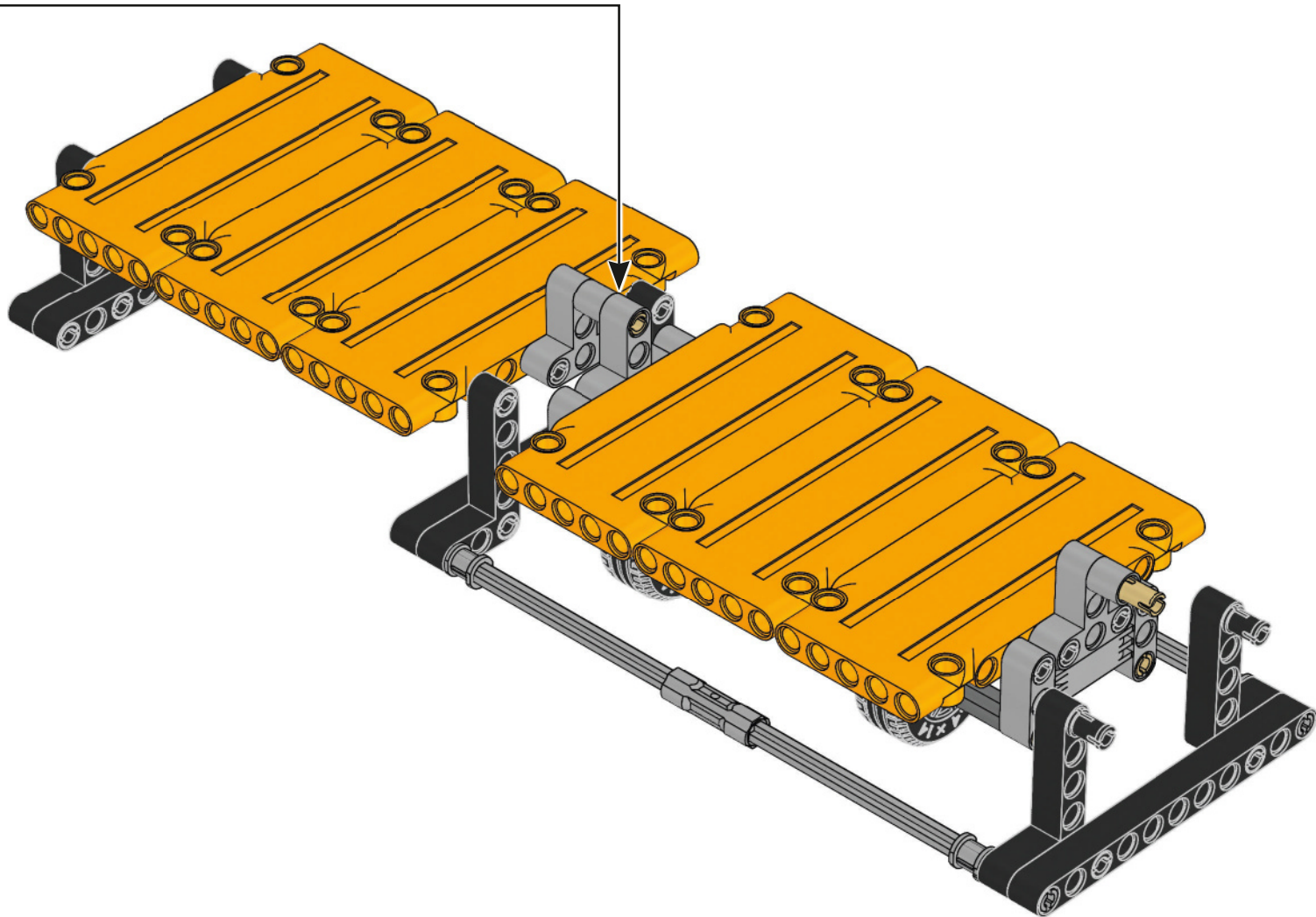


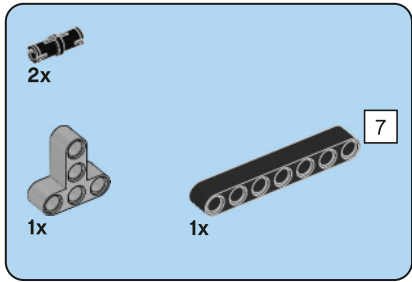
35



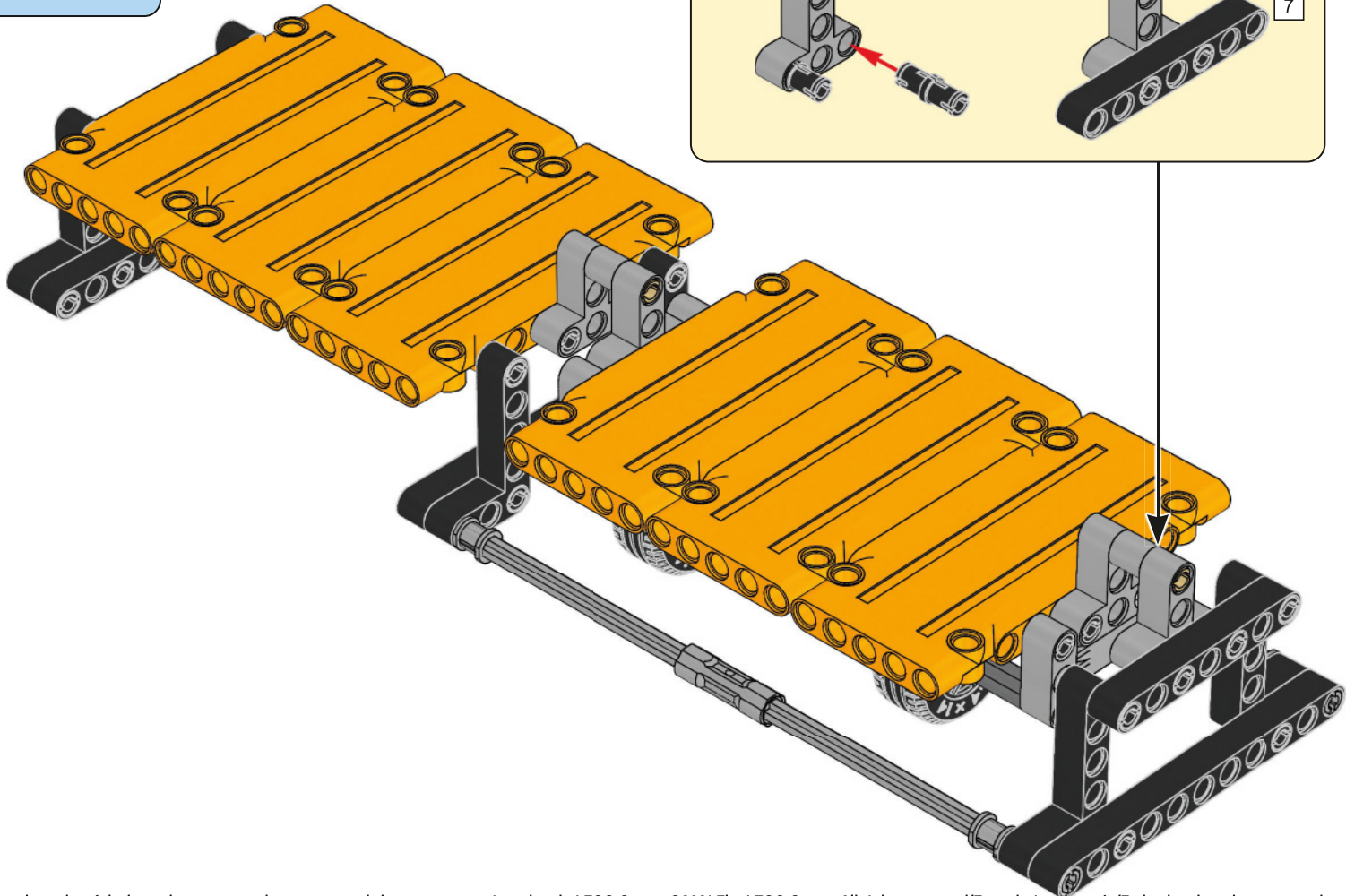
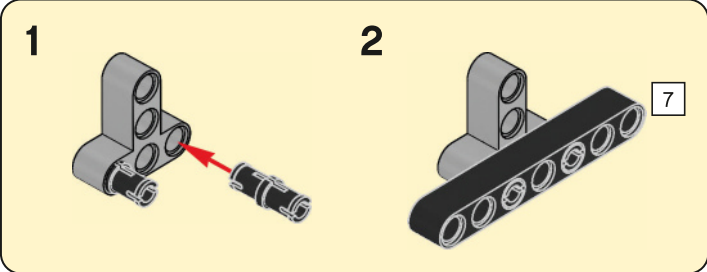
36







38



LEGO and the LEGO logo are trademarks of the/son des marques de commerce du/son marcas registradas de LEGO Group. ©2021 The LEGO Group. All rights reserved/Tous droits réservés/Todos los derechos reservados.

FIRST® is a registered trademark of For Inspiration and Recognition of Science and Technology (FIRST). LEGO® is a registered trademark of the LEGO Group. FIRST® LEGO® League and CARGO CONNECT™ are jointly held trademarks of FIRST and the LEGO Group.

©2021 FIRST and the LEGO Group. All rights reserved.