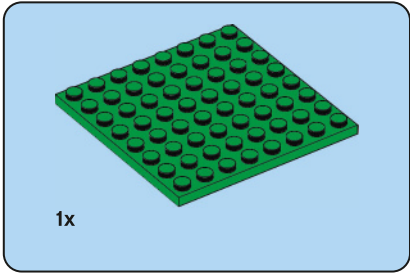
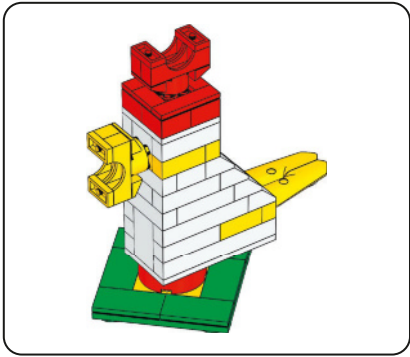
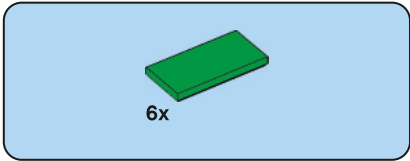
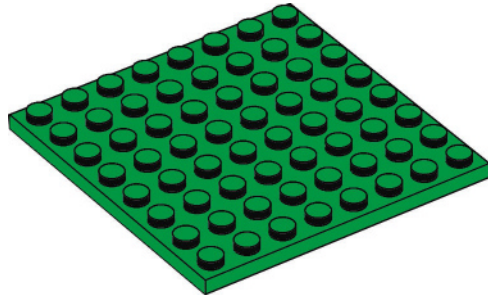


45816

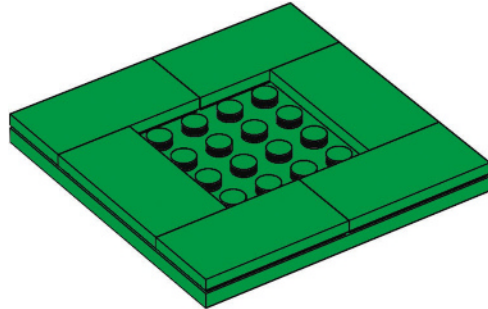


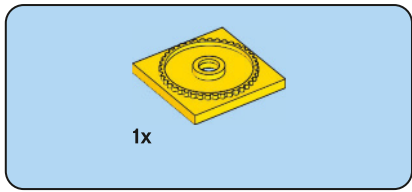


1

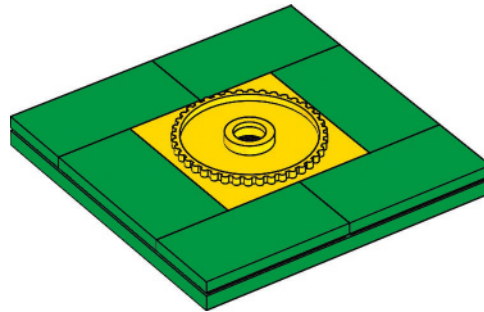


2

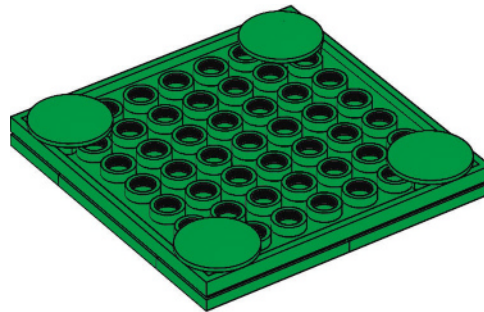
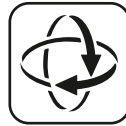


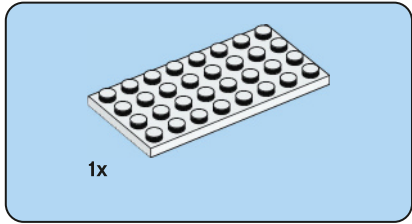
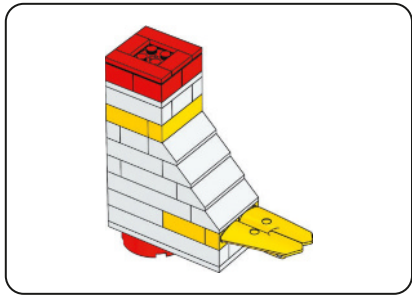


3

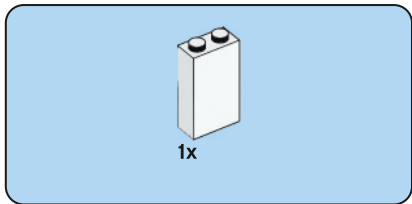
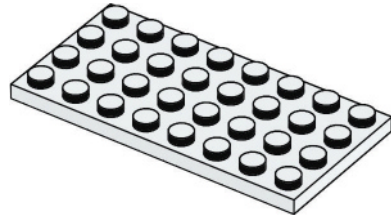


4

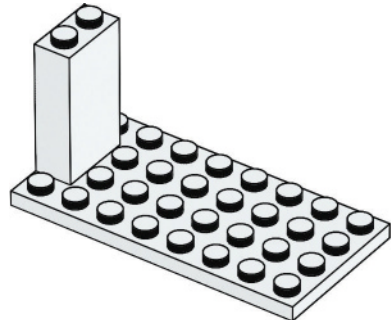


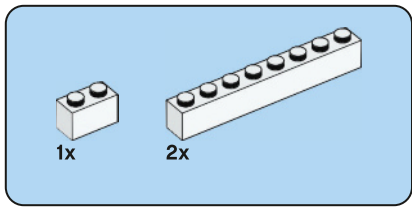


5

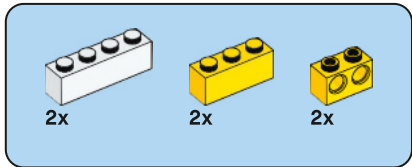
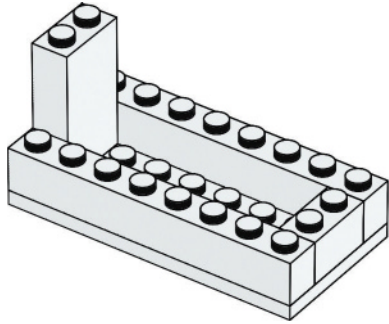


6

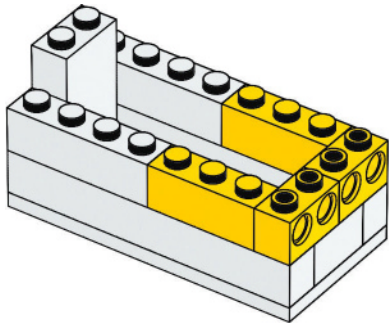


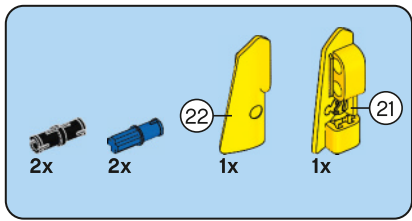


7

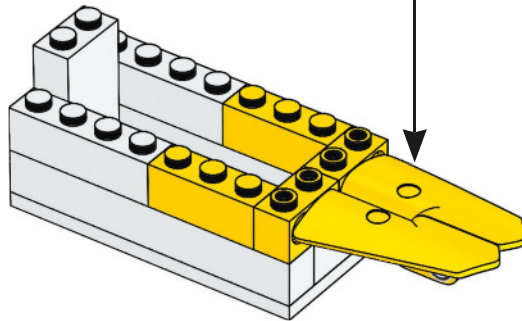
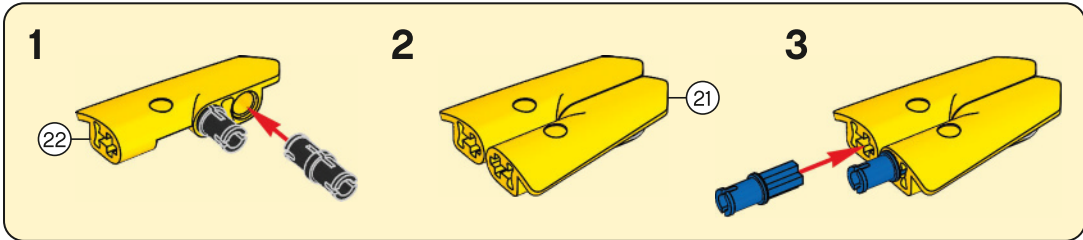


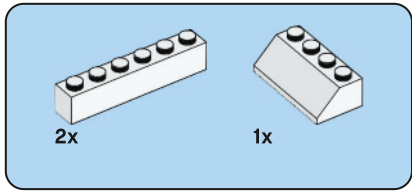
8



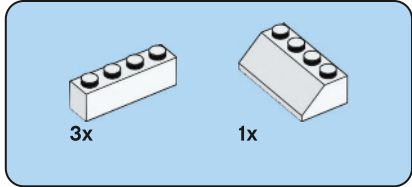
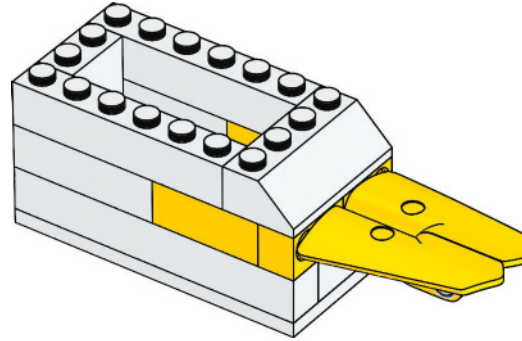


9

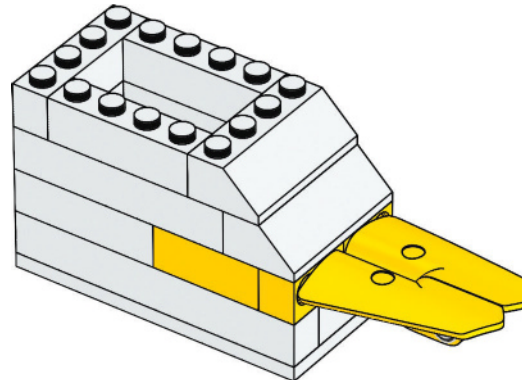


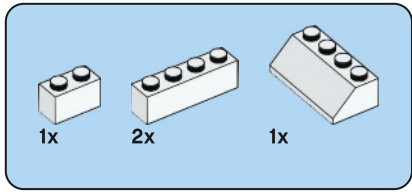


10

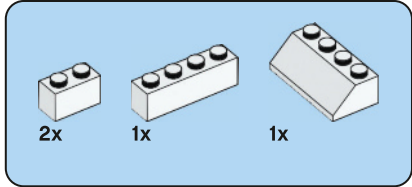
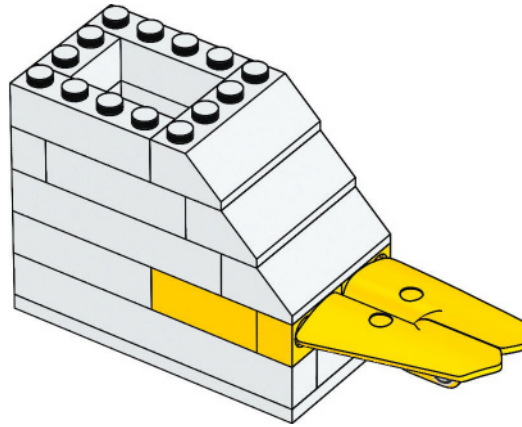


11

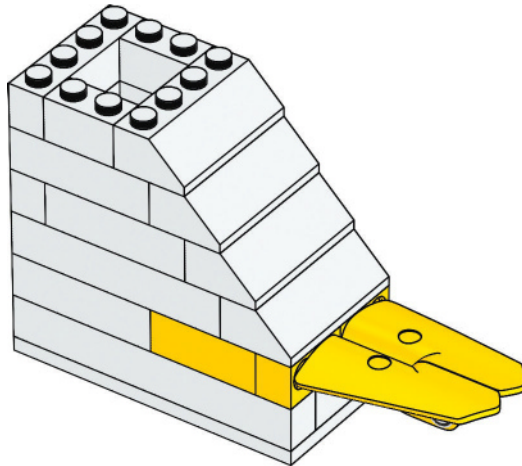




12



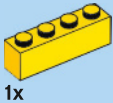
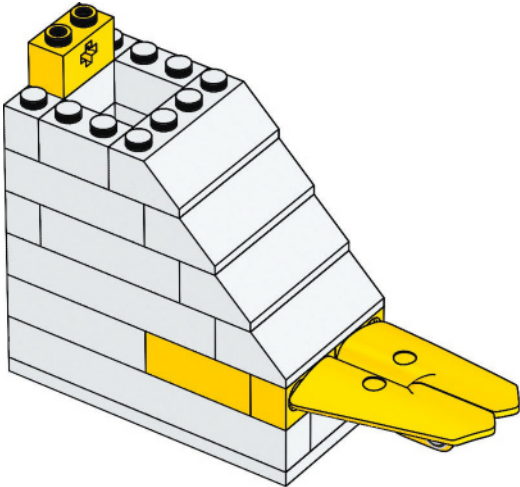
13





1x

14

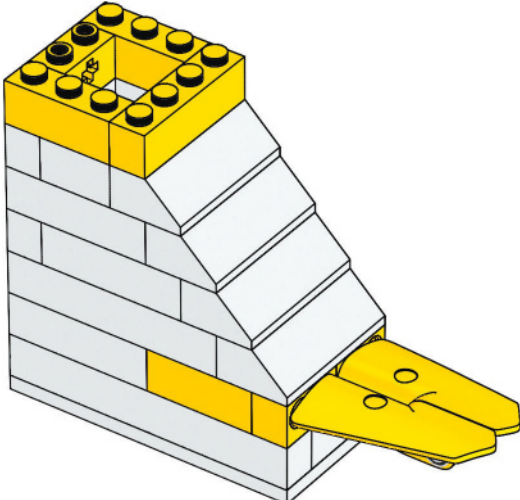


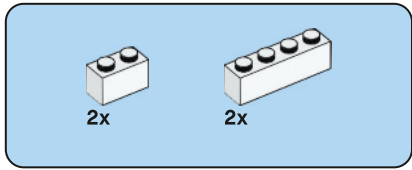
1x



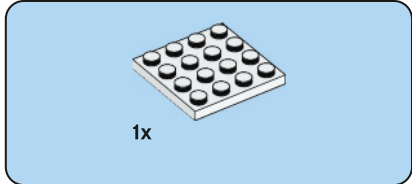
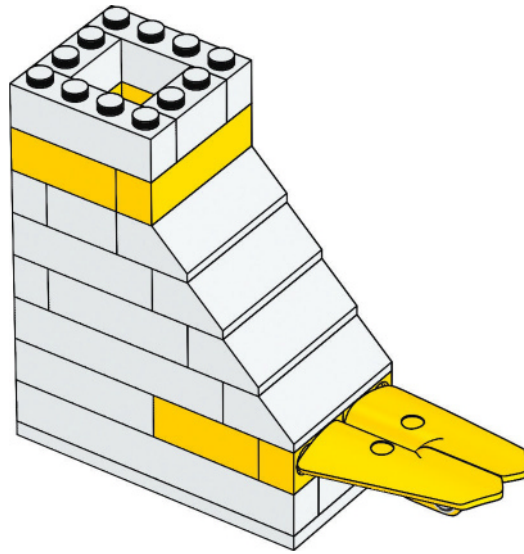
2x

15

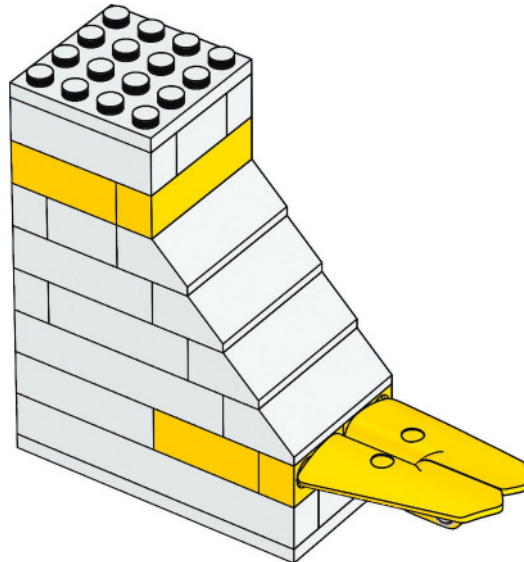




16



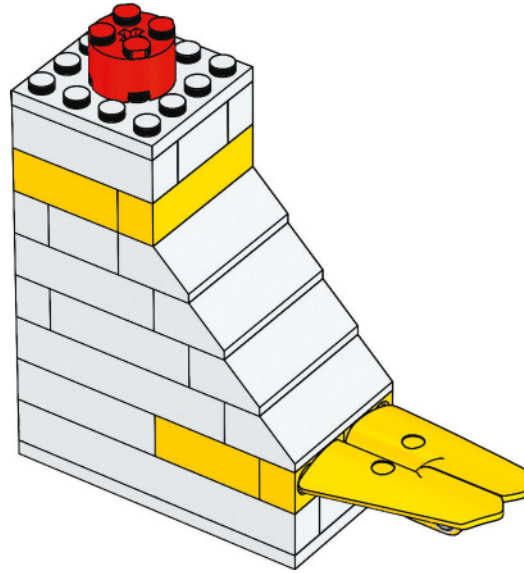
17





1x

18

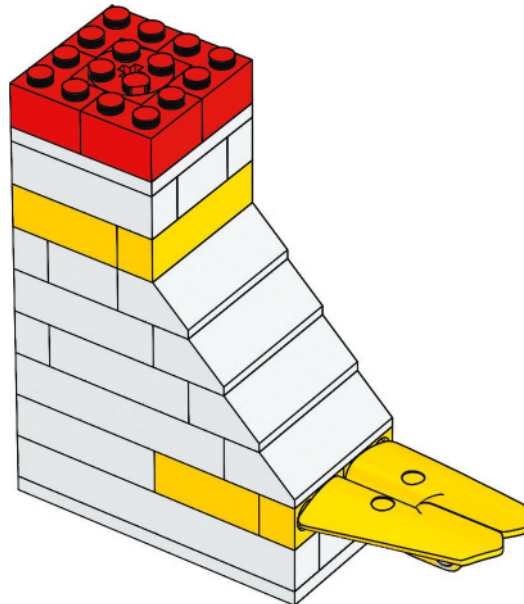


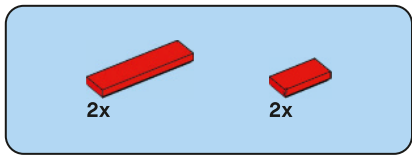
5



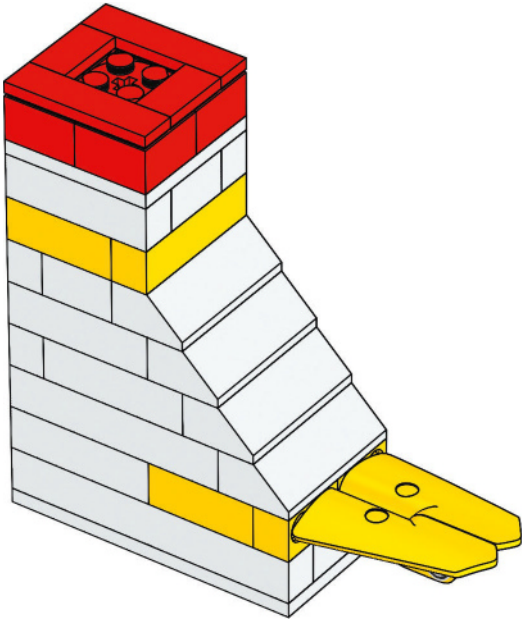
4x

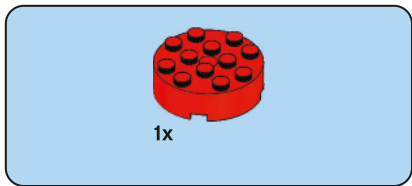
19



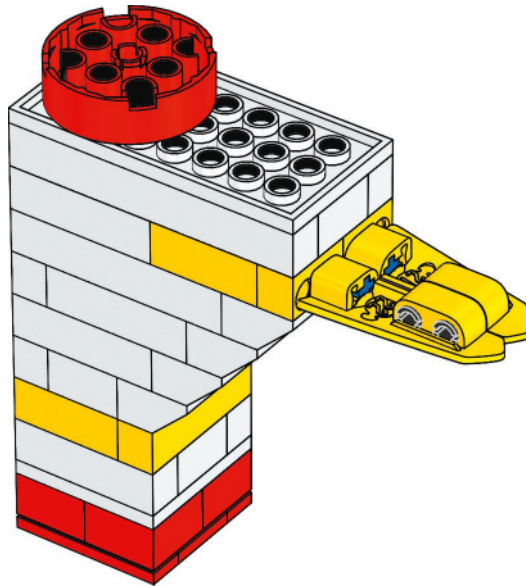


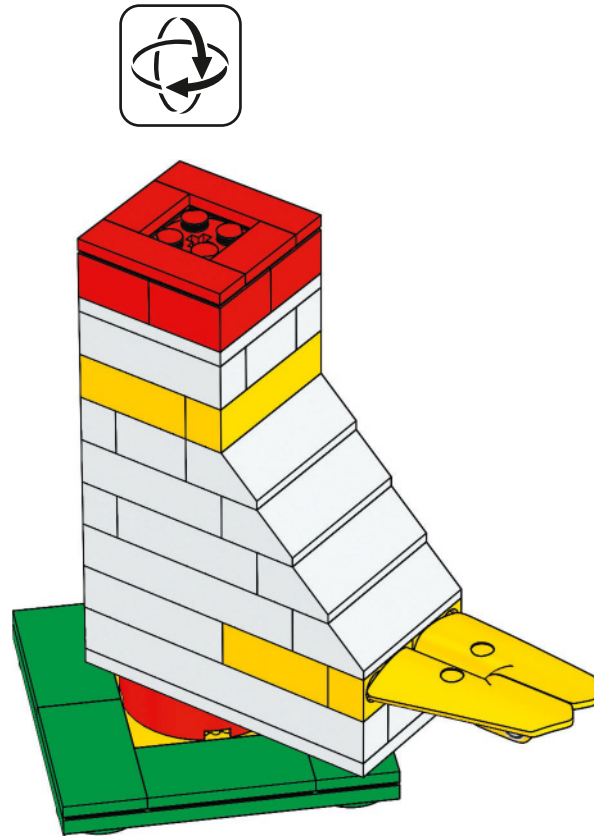
20

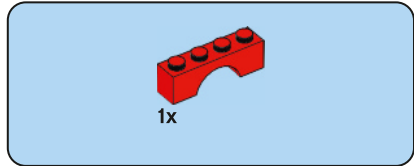
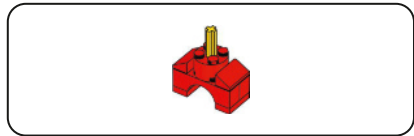




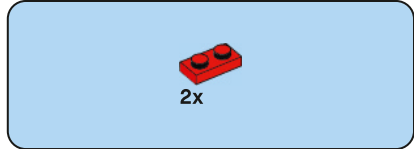
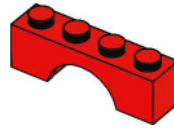
21



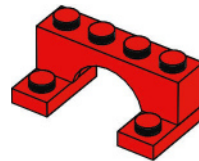


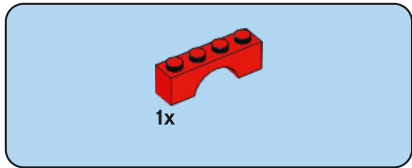


23

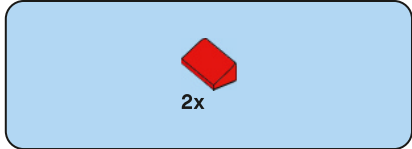
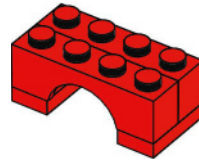


24

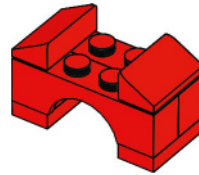




25

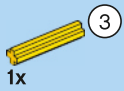
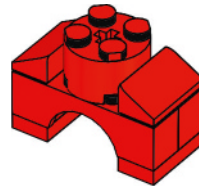


26

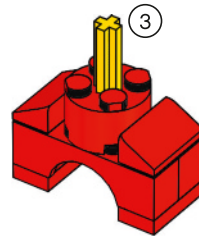


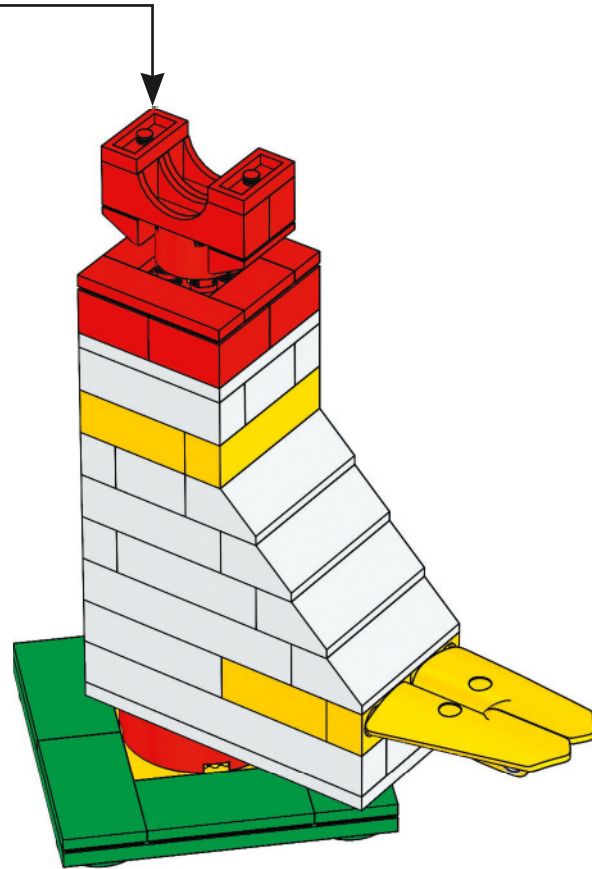


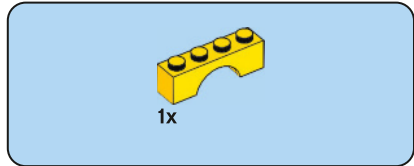
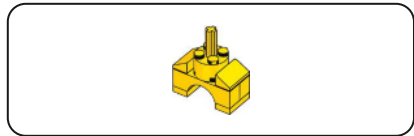
27



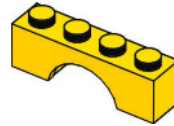
28



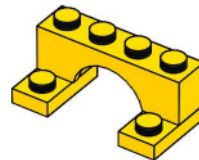


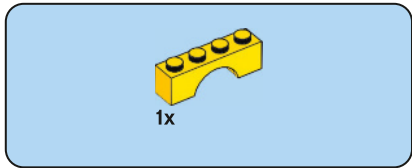


30

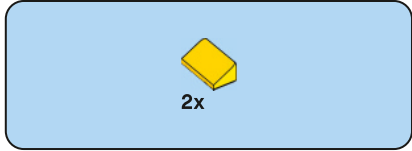
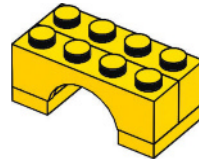


31

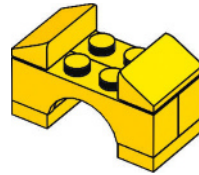




32

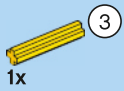
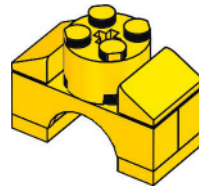


33

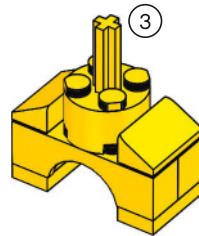


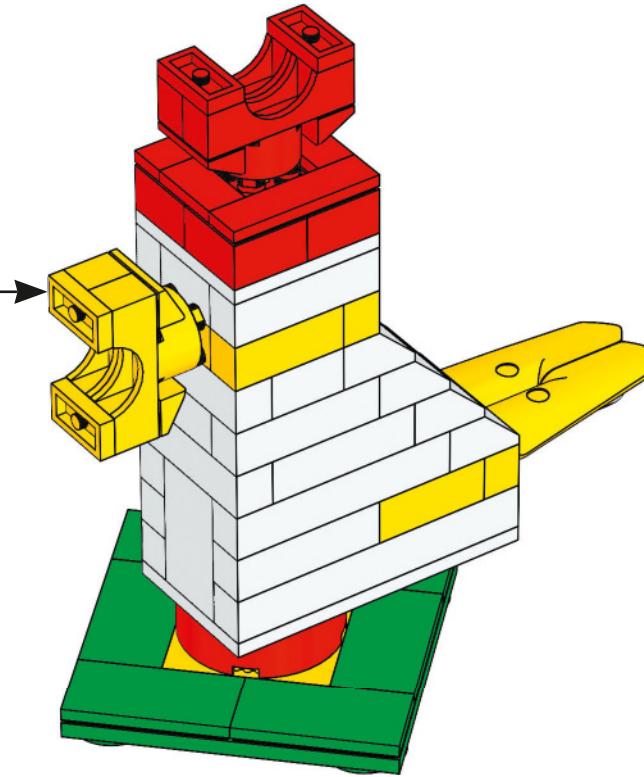


34



35





LEGO and the LEGO logo are trademarks of the/son des marques de commerce du/son marcas registradas de LEGO Group. ©2021 The LEGO Group. All rights reserved/Tous droits réservés/Todos los derechos reservados.

FIRST® is a registered trademark of For Inspiration and Recognition of Science and Technology (FIRST). LEGO® is a registered trademark of the LEGO Group. FIRST® LEGO® League and CARGO CONNECT™ are jointly held trademarks of FIRST and the LEGO Group.

©2021 FIRST and the LEGO Group. All rights reserved.