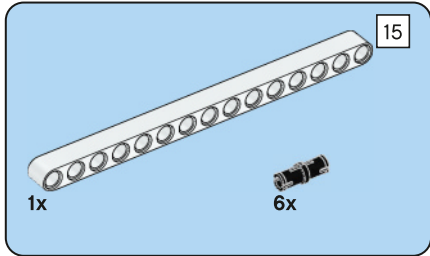
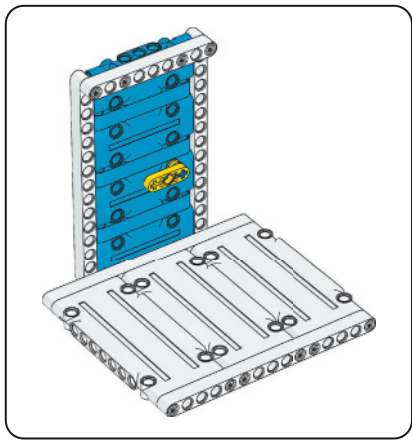
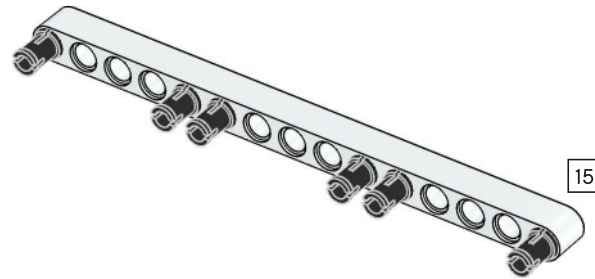


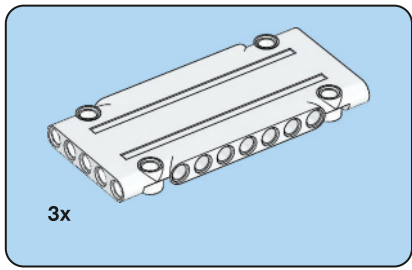
45816



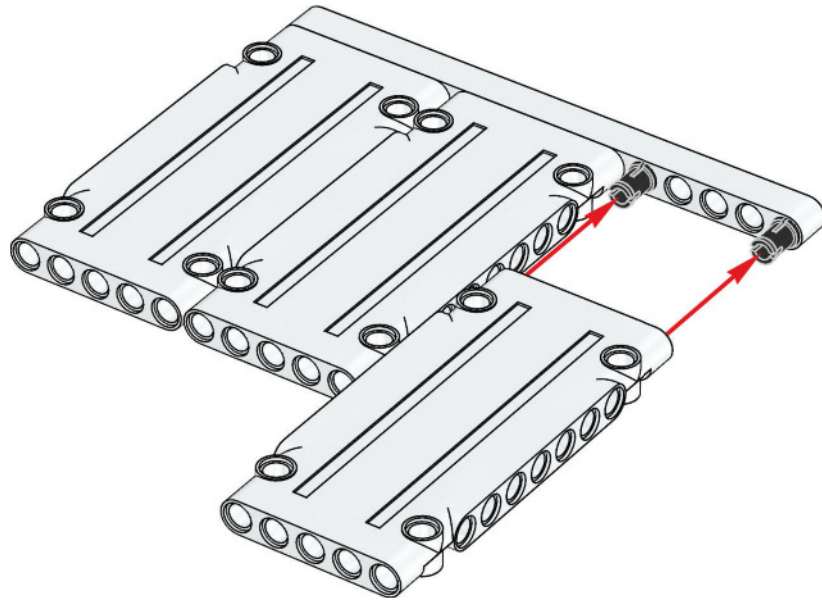


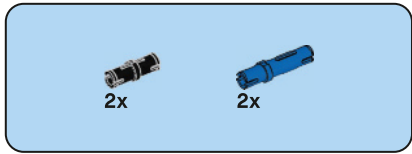
1



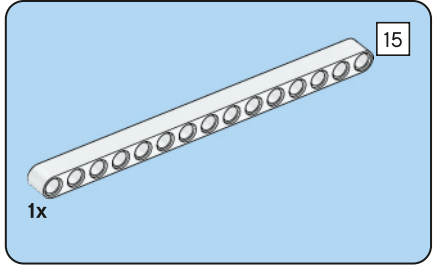
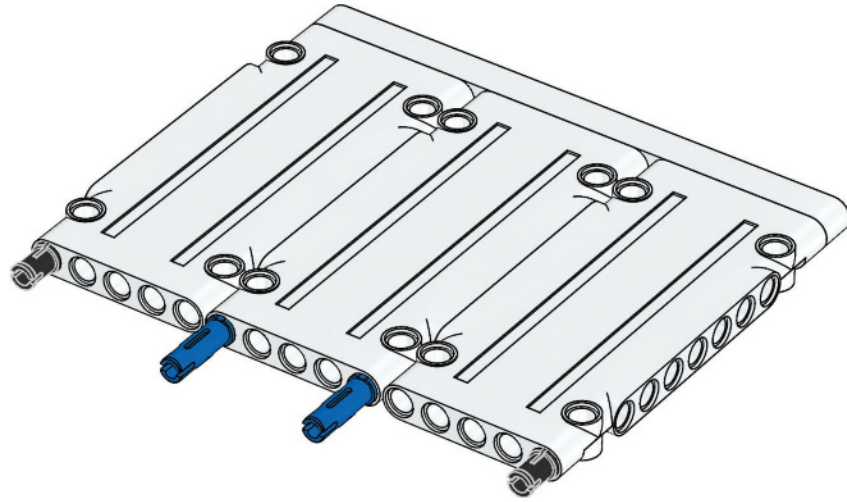


2

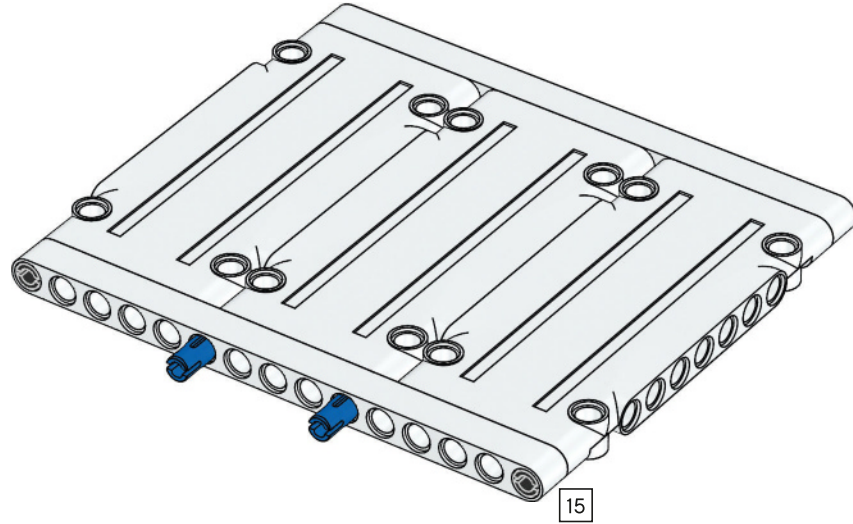


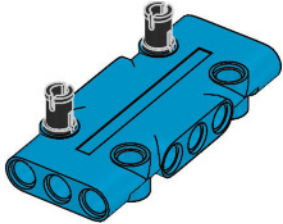
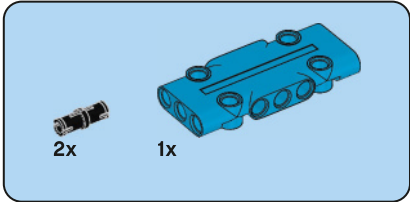
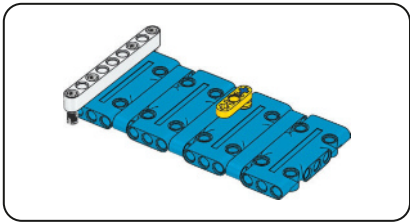


3

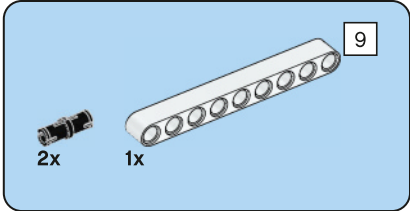


4

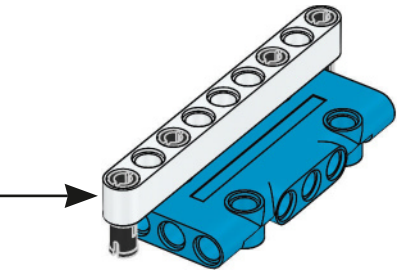
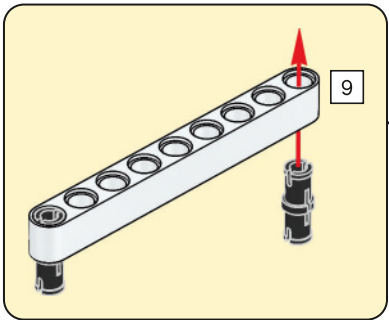


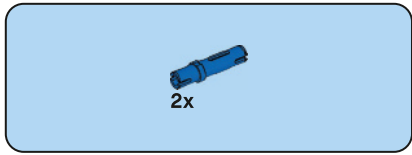


5

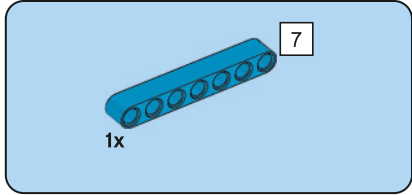
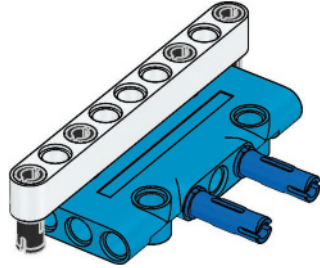


6

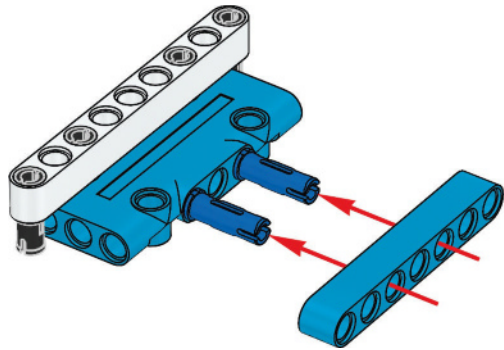


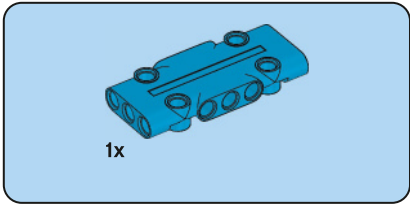


7

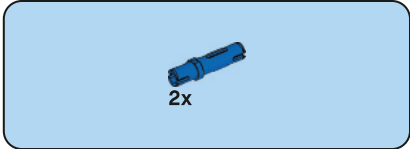
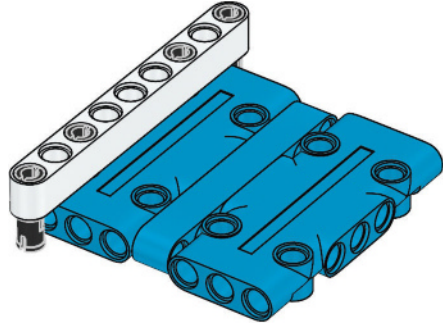


8

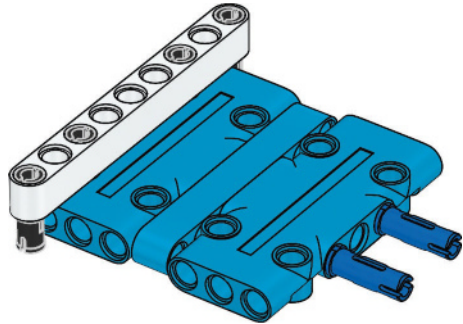


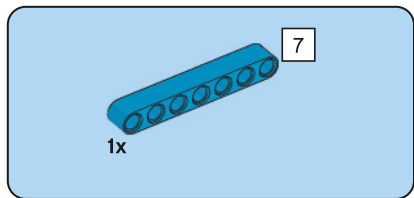


9

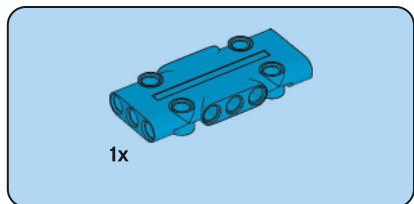
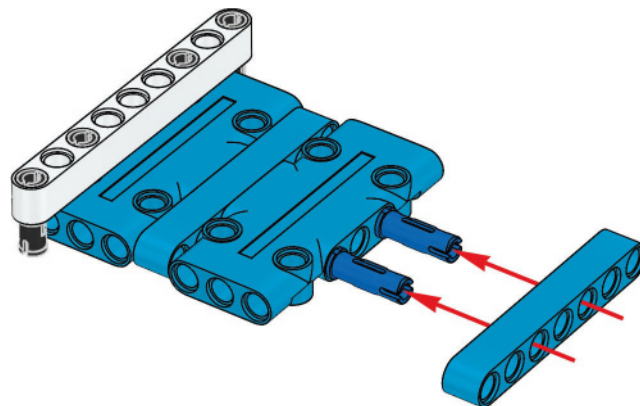


10

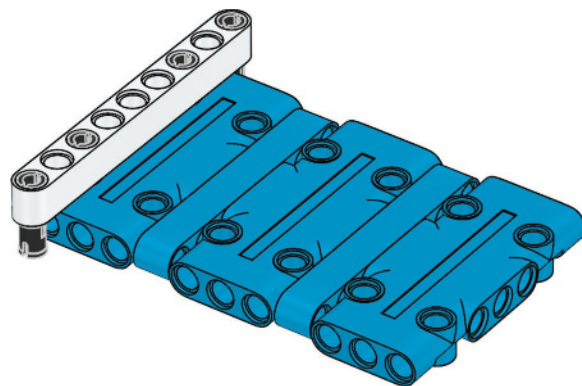




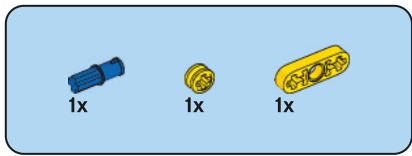
11



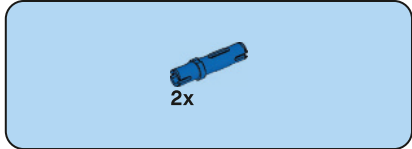
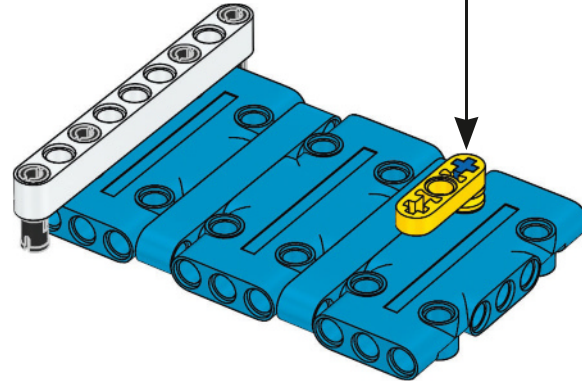
12



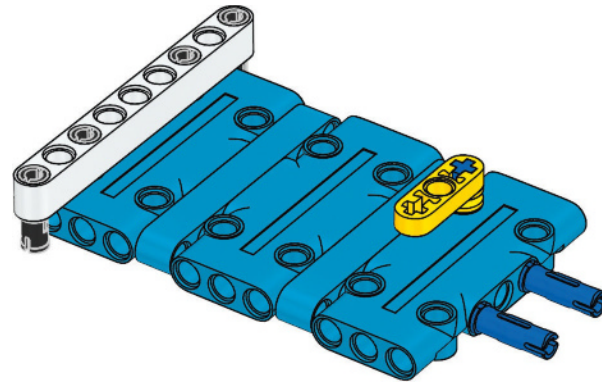


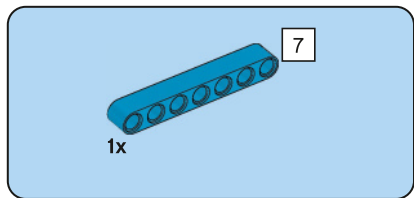


13

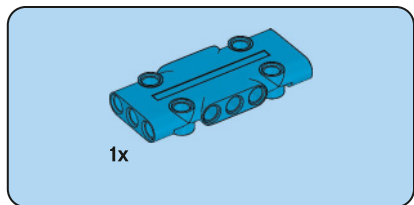
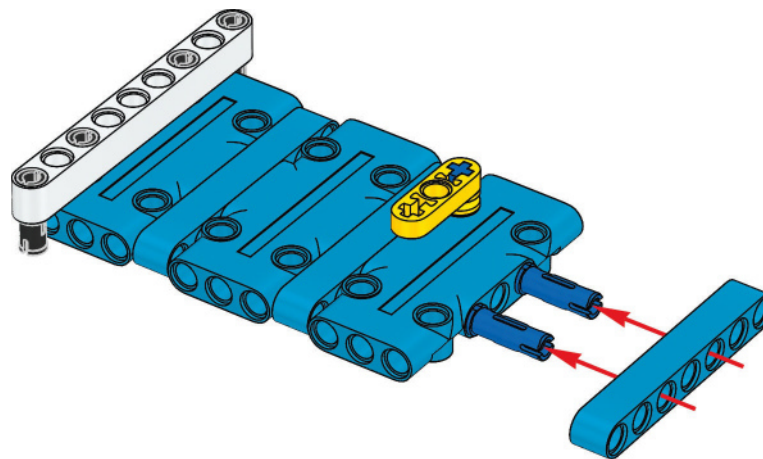


14

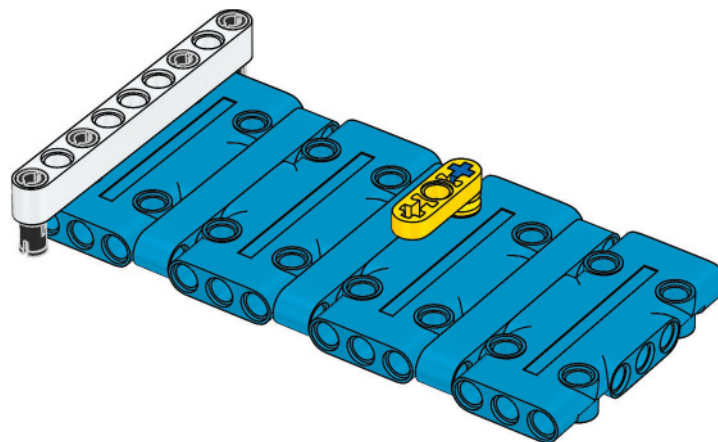


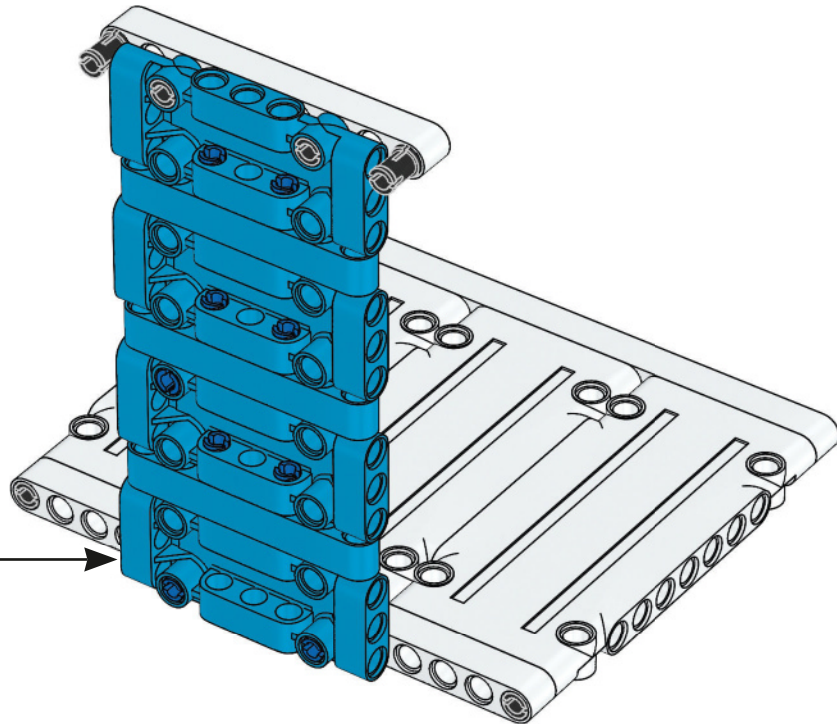


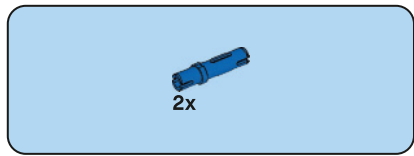
15



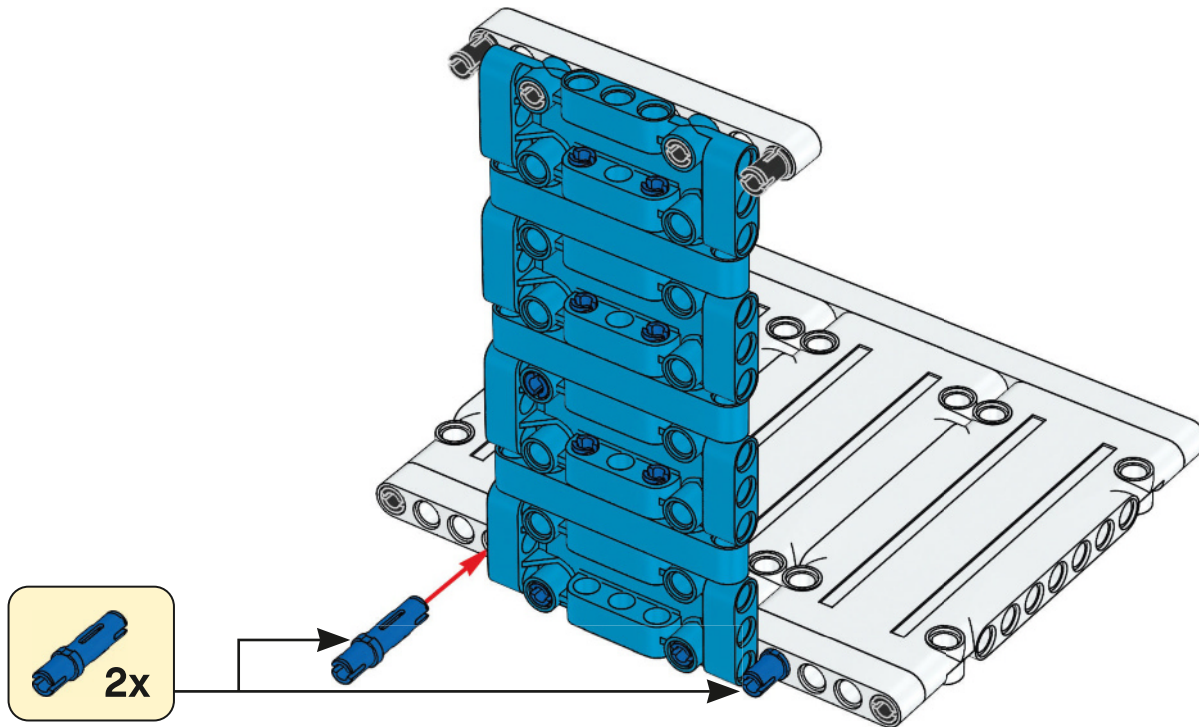
16

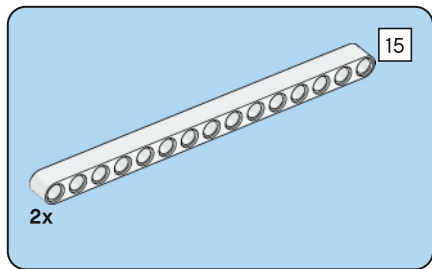




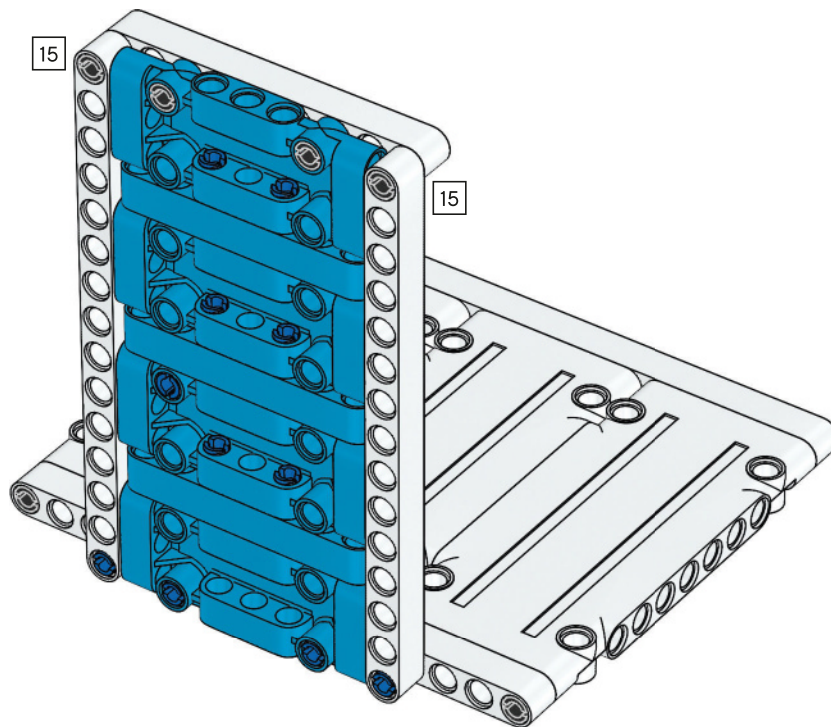


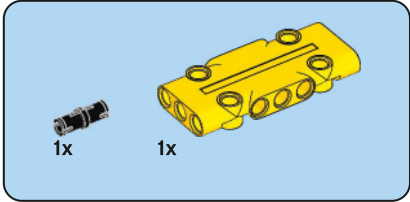
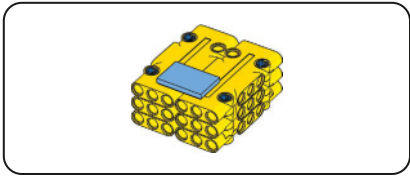
18



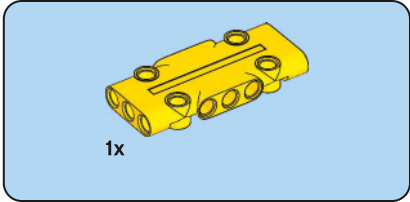
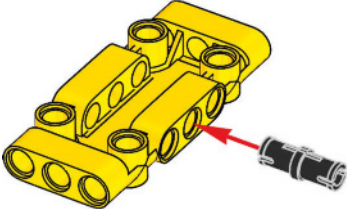


19

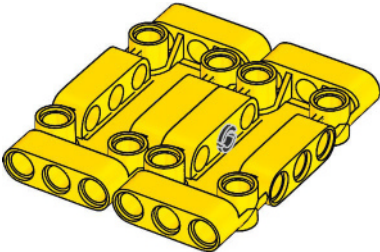


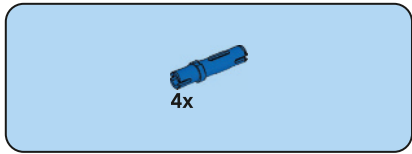


20

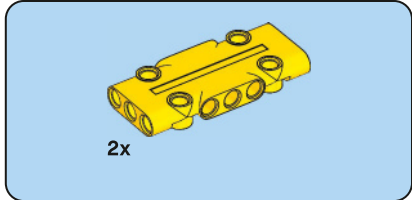
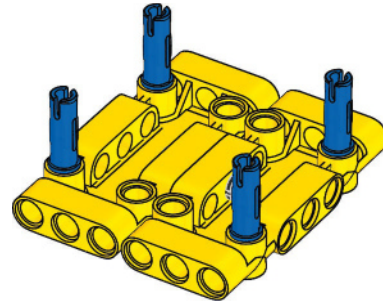


21

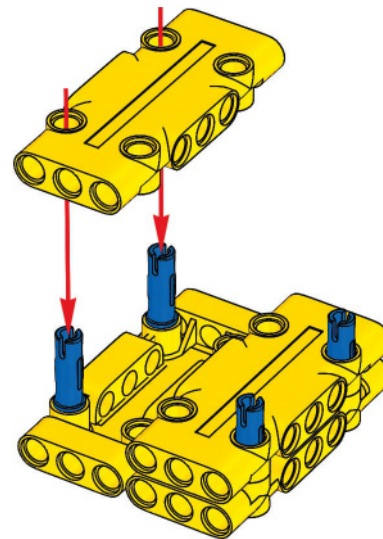


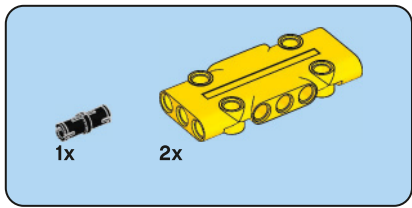


22

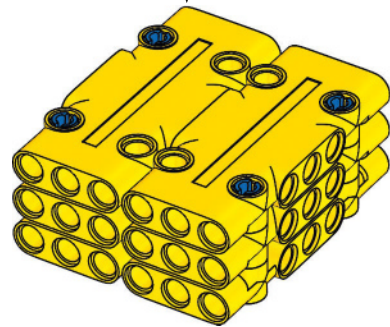
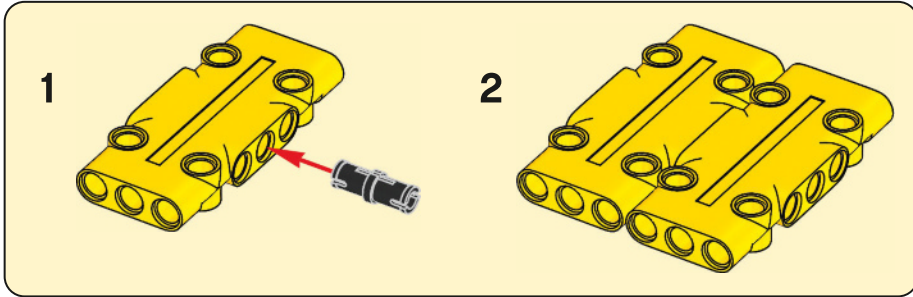


23





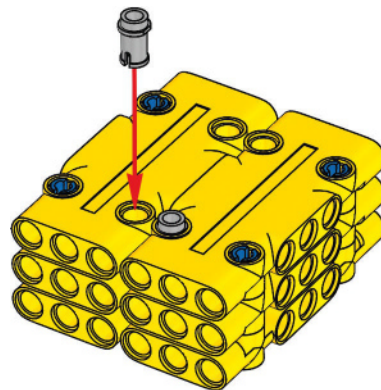
24





2x

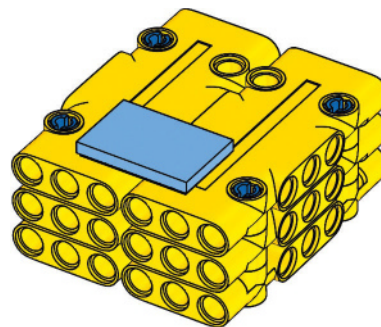
25

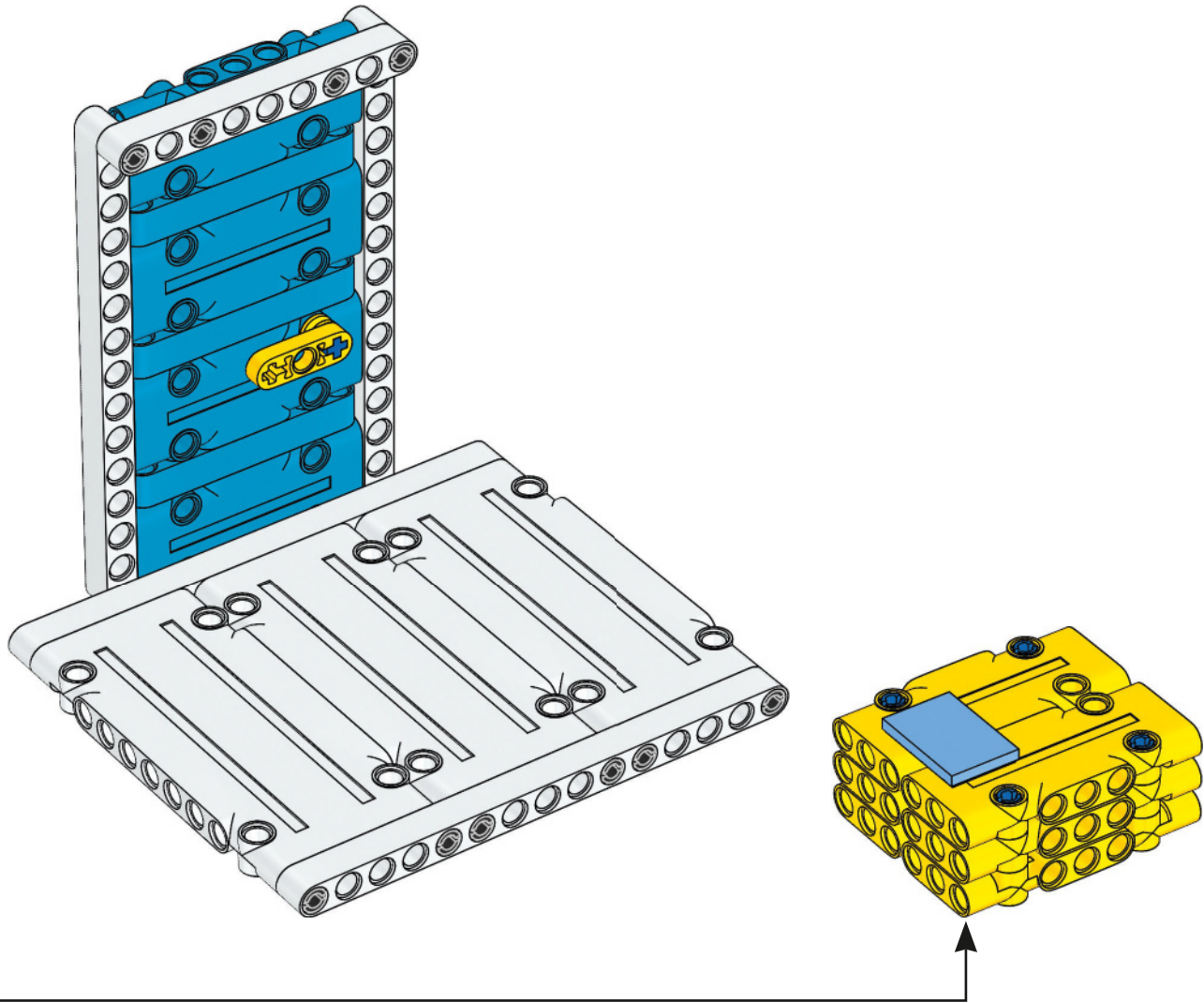


4

1x

26





LEGO and the LEGO logo are trademarks of the/son des marques de commerce du/son marcas registradas de LEGO Group. ©2021 The LEGO Group. All rights reserved/Tous droits réservés/Todos los derechos reservados.

FIRST® is a registered trademark of For Inspiration and Recognition of Science and Technology (FIRST). LEGO® is a registered trademark of the LEGO Group. FIRST® LEGO® League and CARGO CONNECT™ are jointly held trademarks of FIRST and the LEGO Group.

©2021 FIRST and the LEGO Group. All rights reserved.