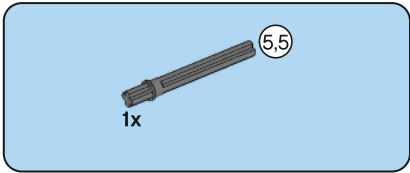
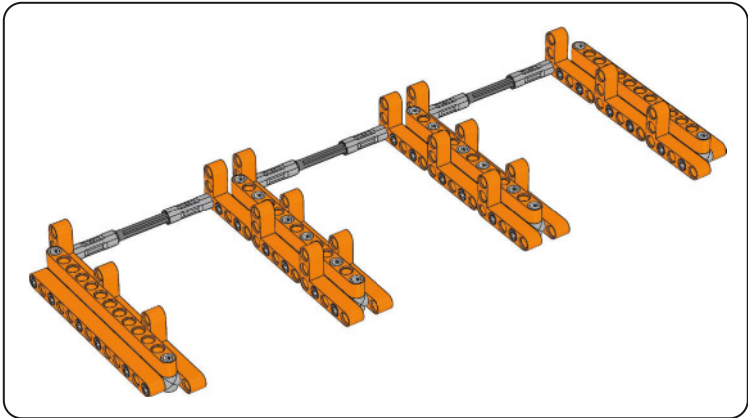
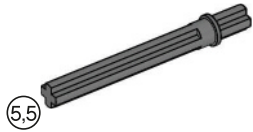


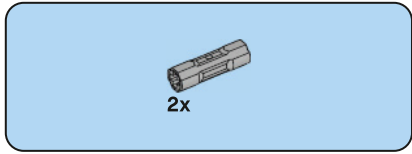
45816



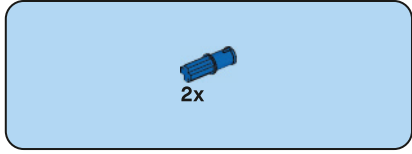
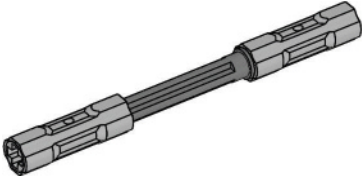


1

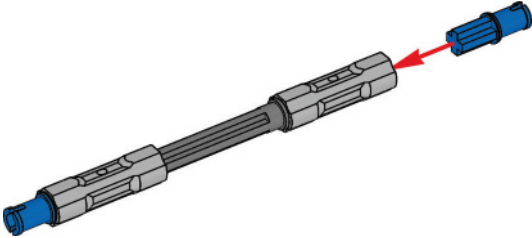


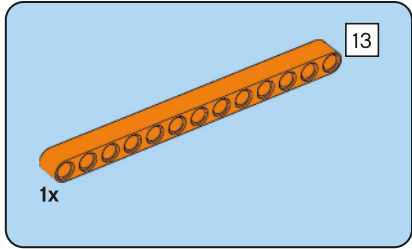
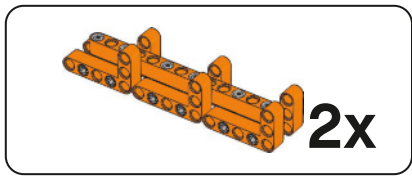


2

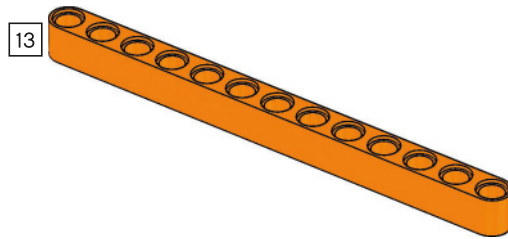


3





4

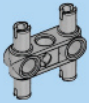
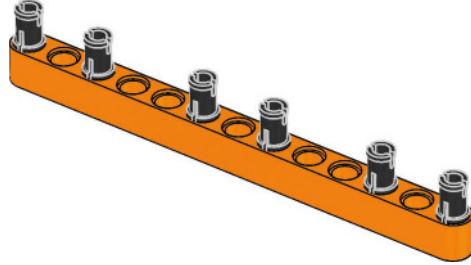






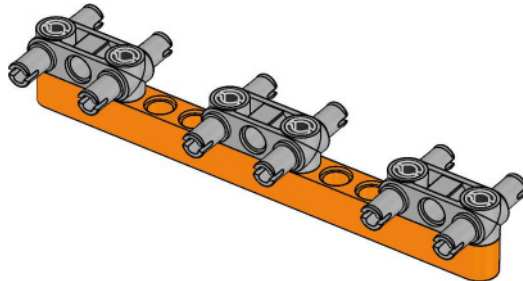
6x

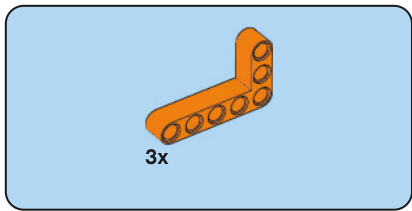
5



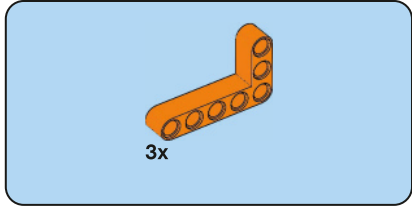
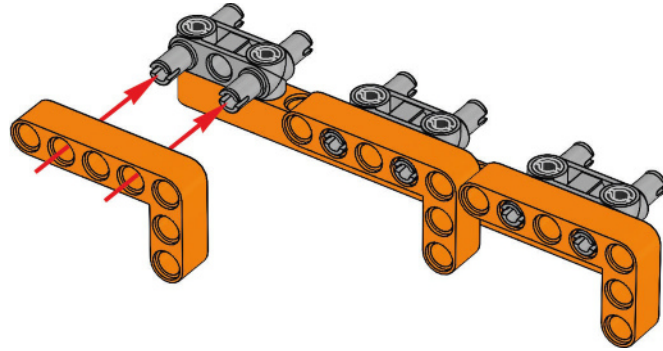
3x

6

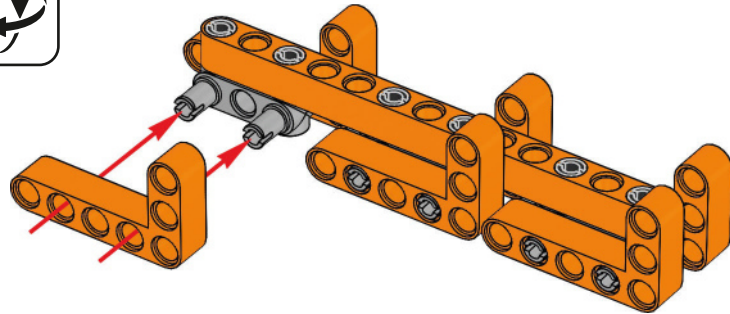




7

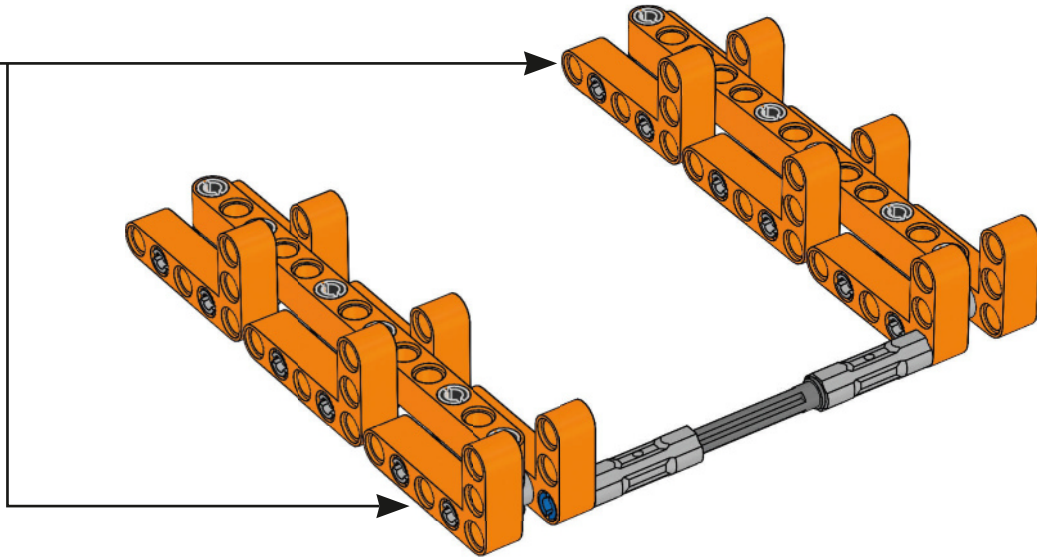


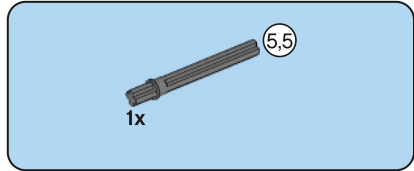
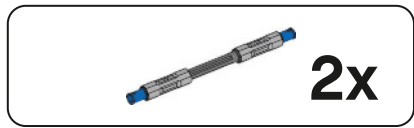
8



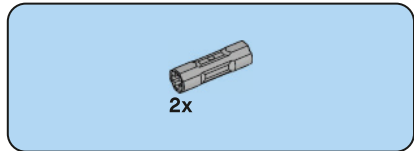
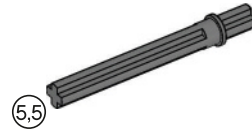
2x

9

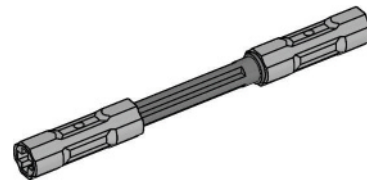




10



11



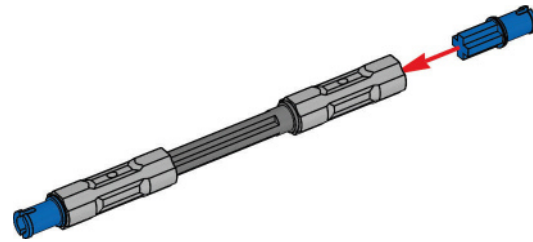


2x



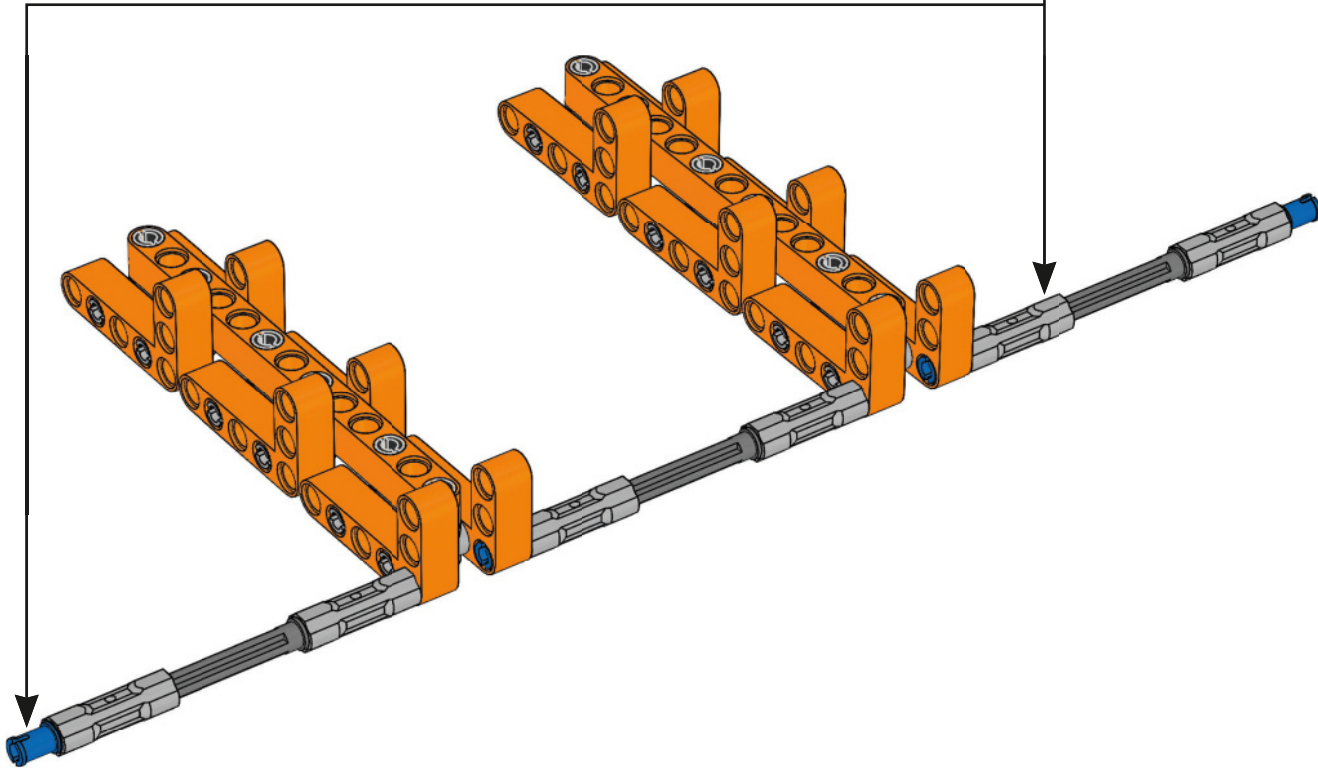
15

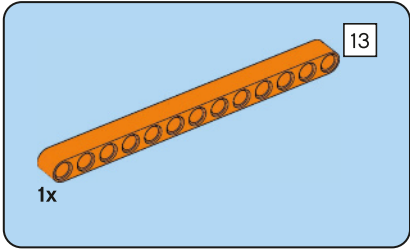
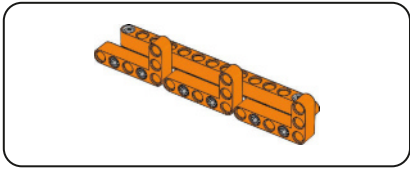
12



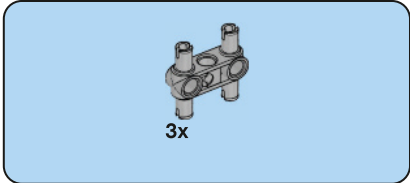
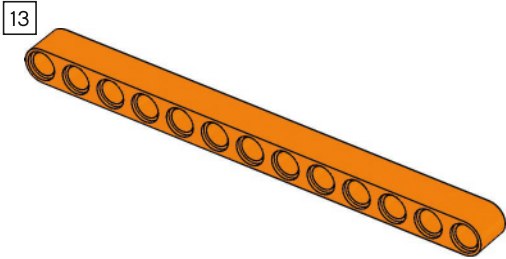
2x

13

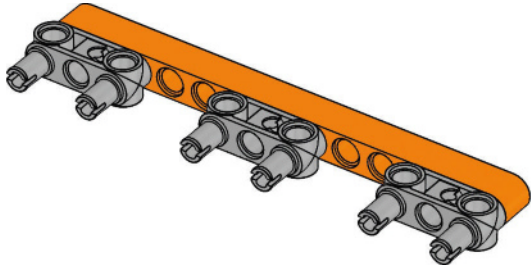




14

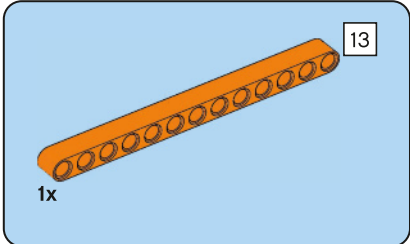
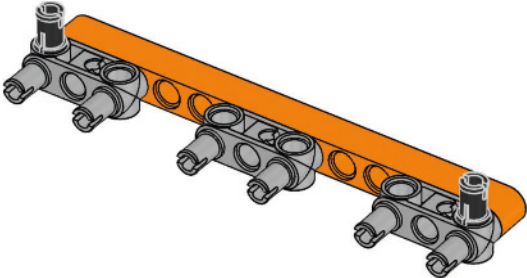


15

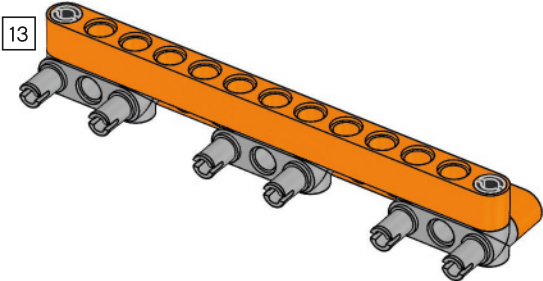


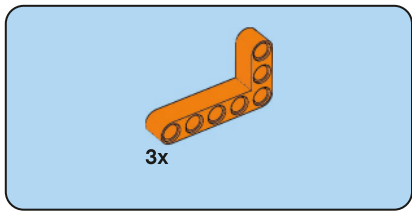


16

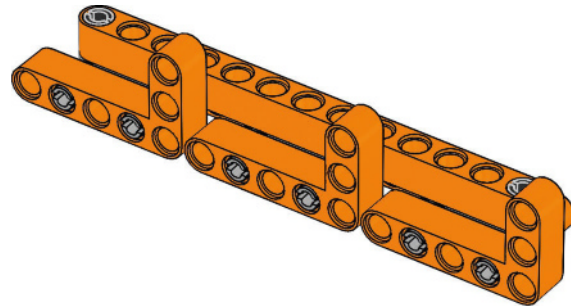


17

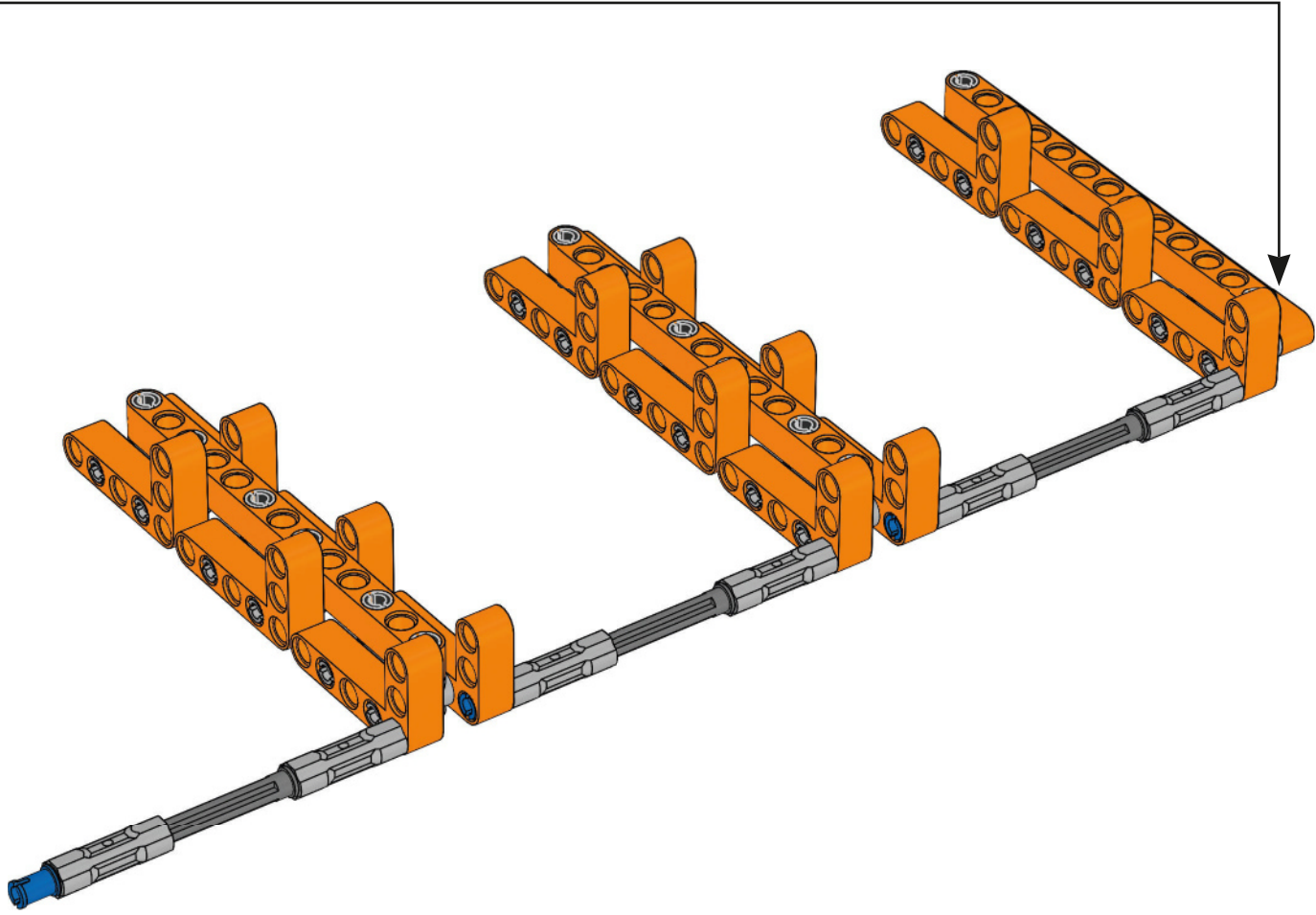


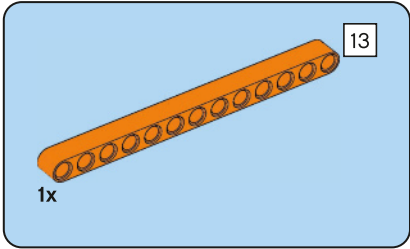
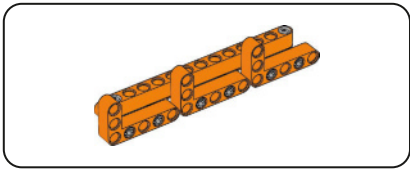


18

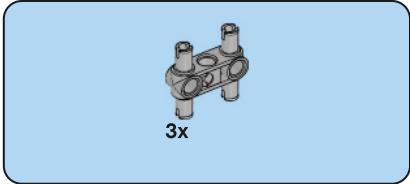
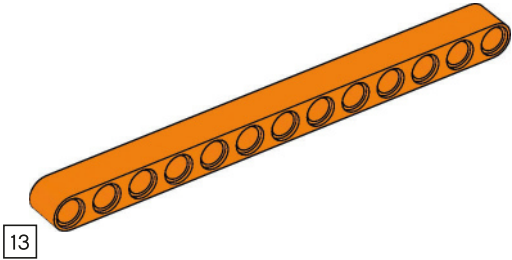




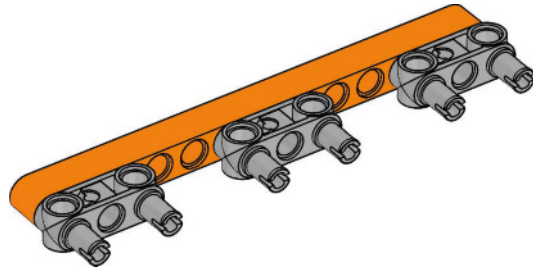




20



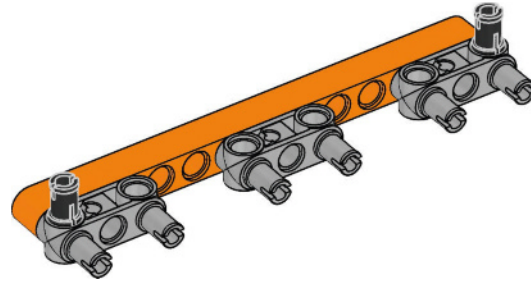
21



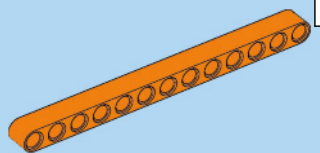


2x

22



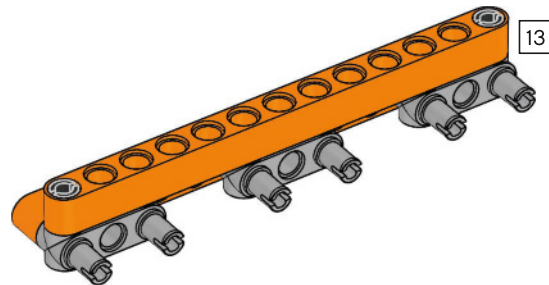
15



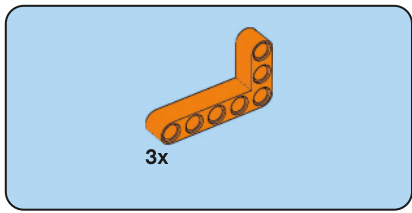
13

1x

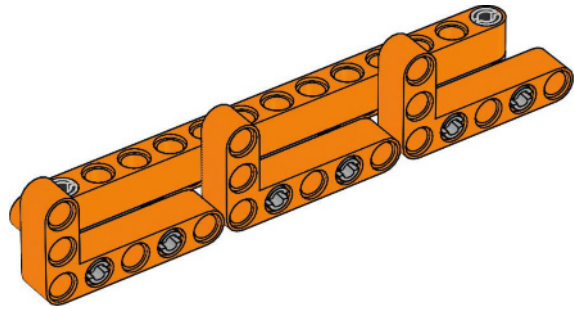
23



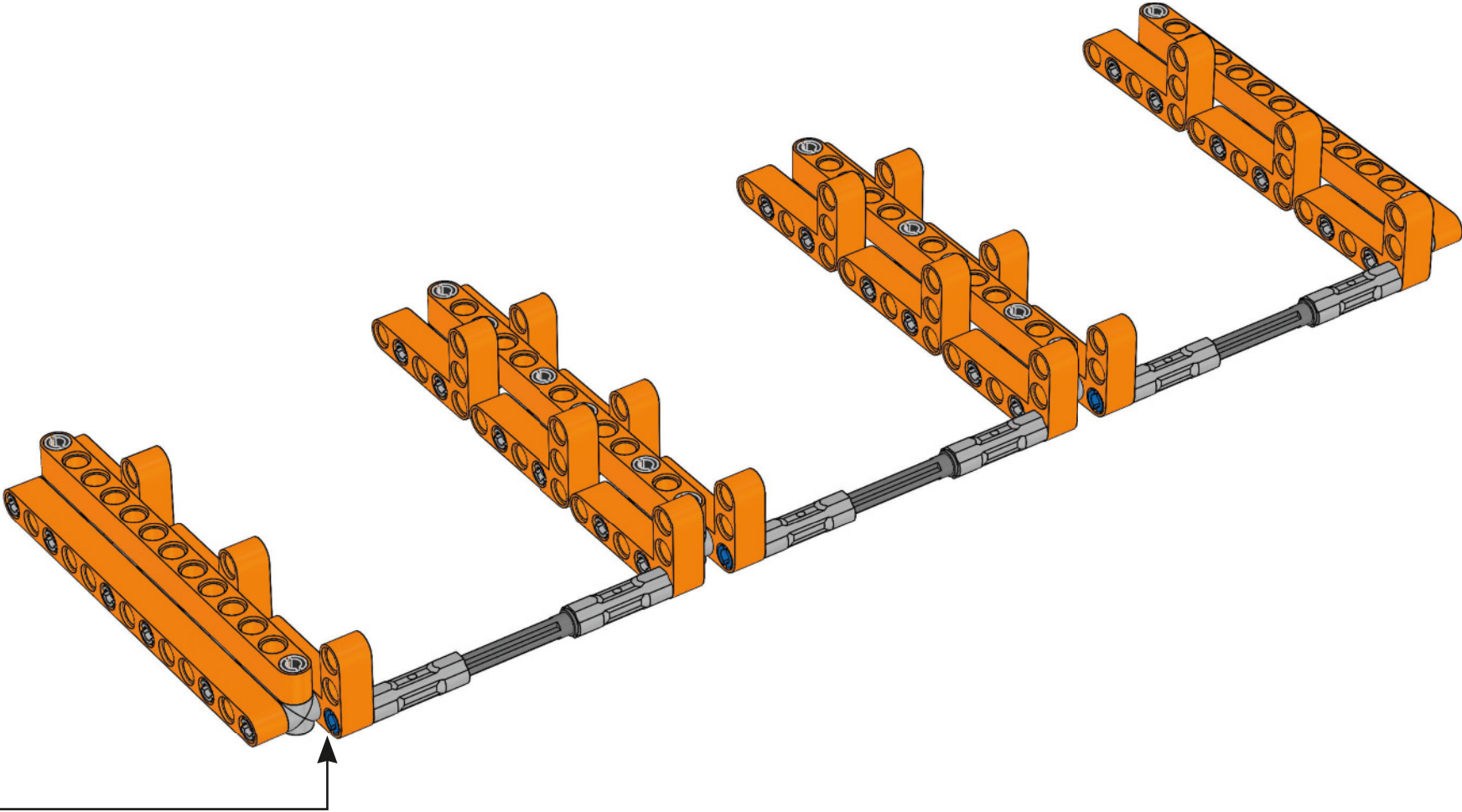
13

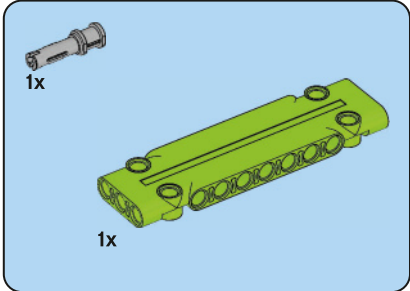
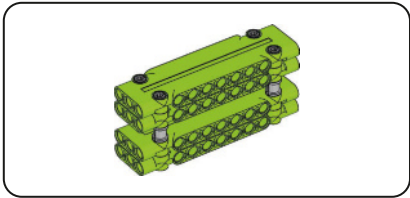


24

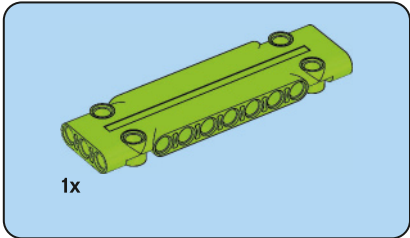
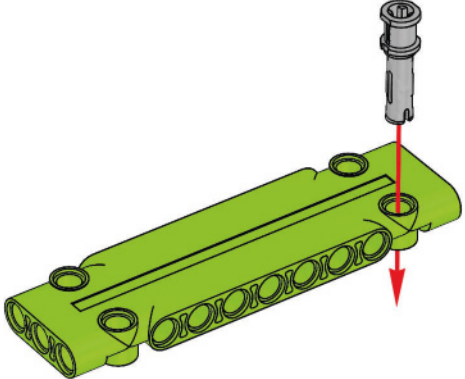


25

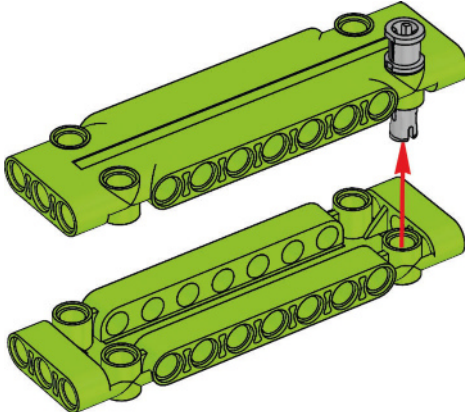


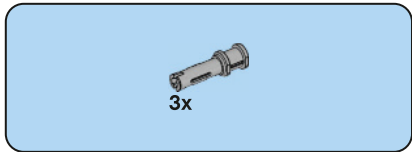


26

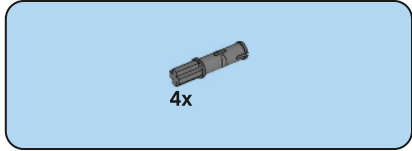
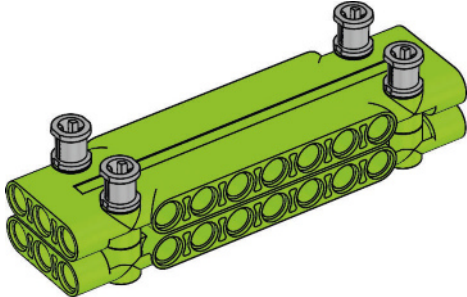


27

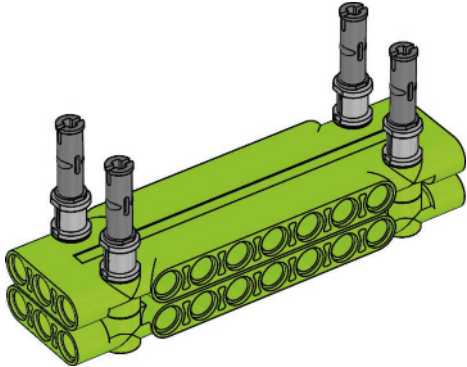


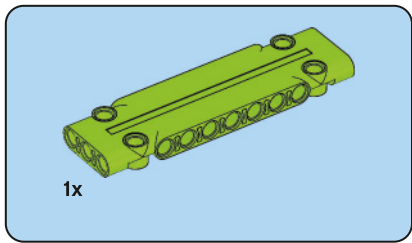


28

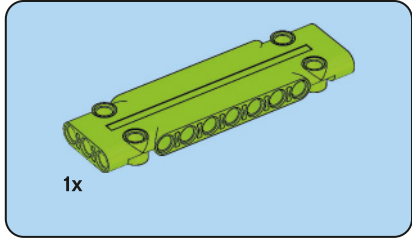
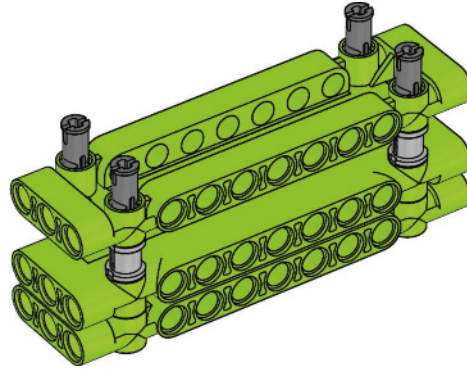


29

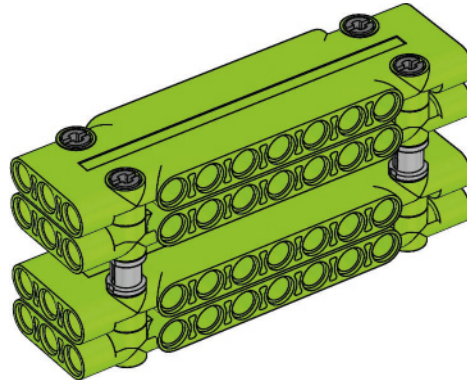




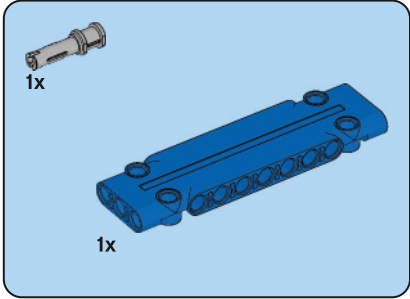
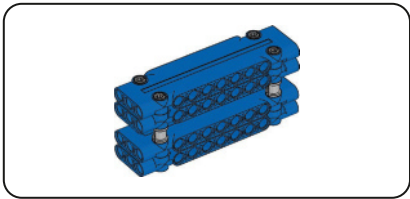
30



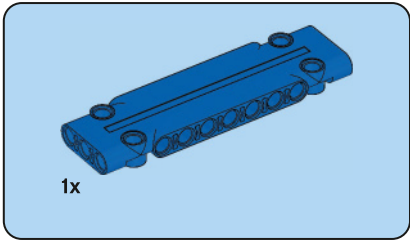
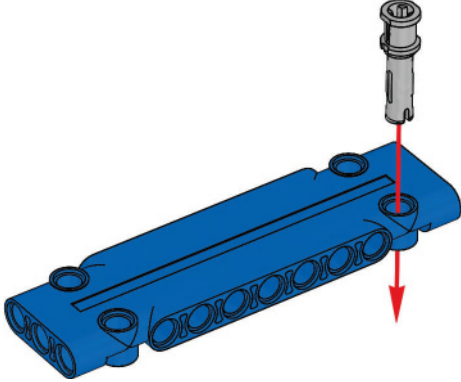
31



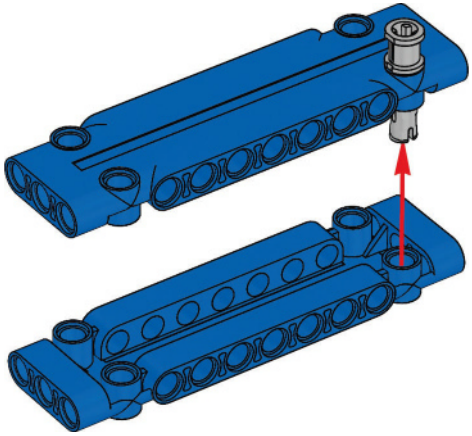


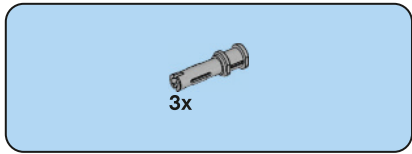


32

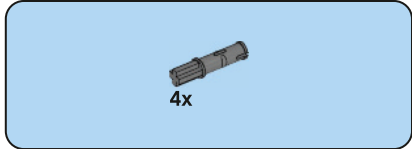
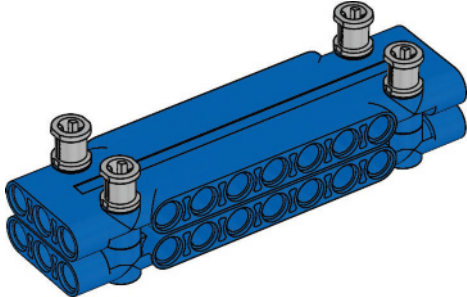


33

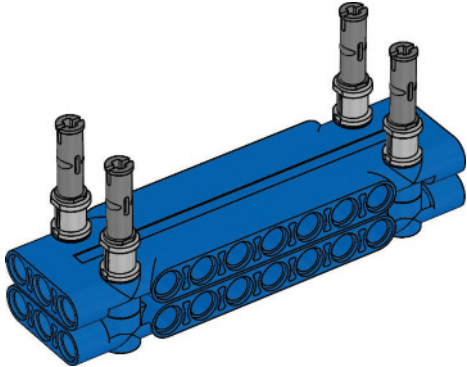


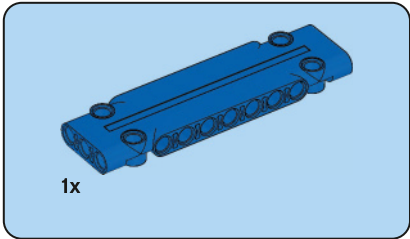


34

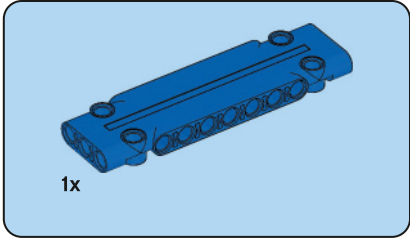
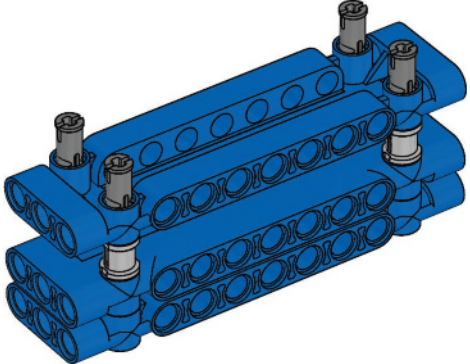


35

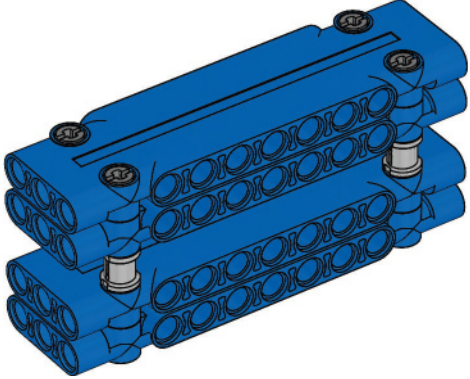


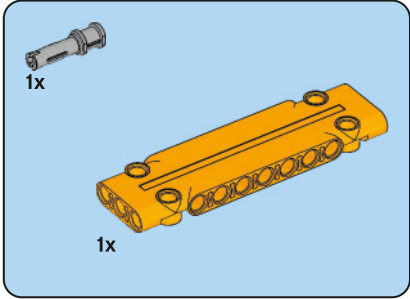
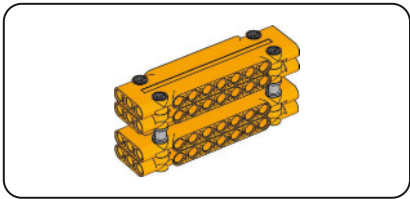


36

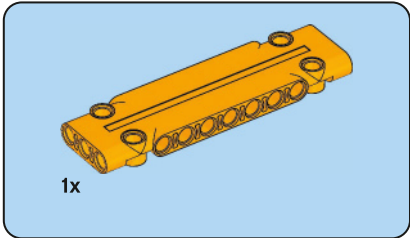
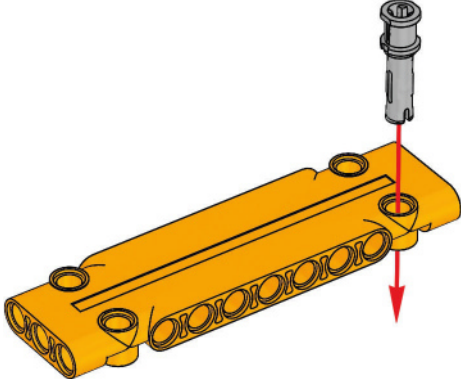


37

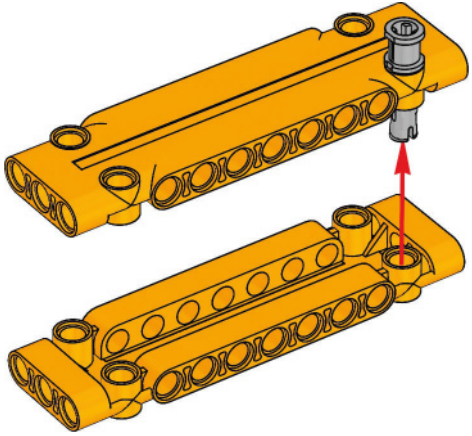


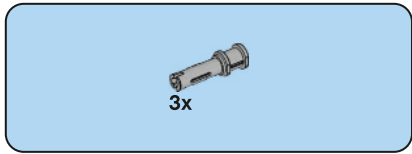


38

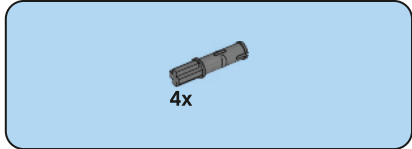
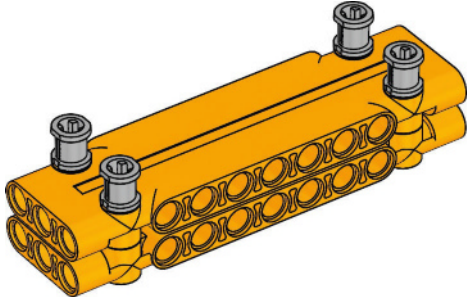


39

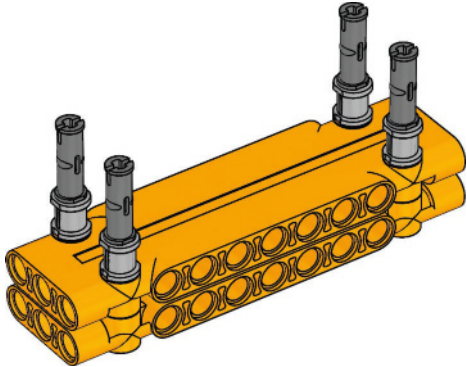


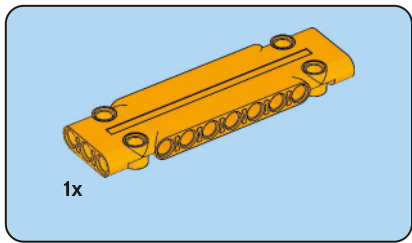


40

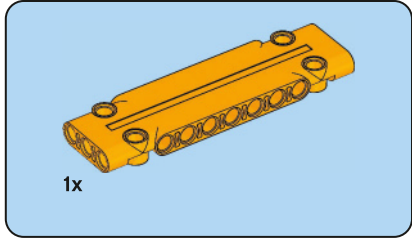
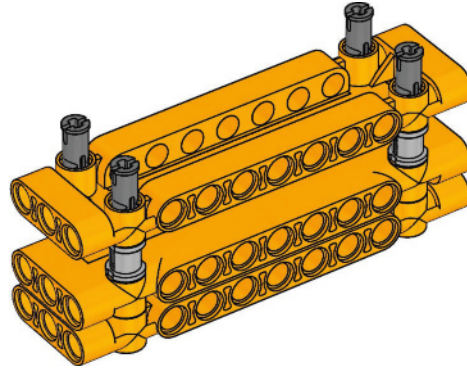


41

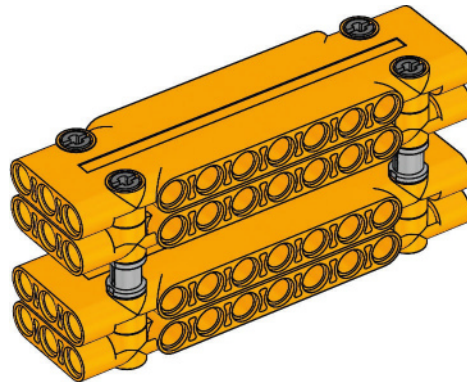




42

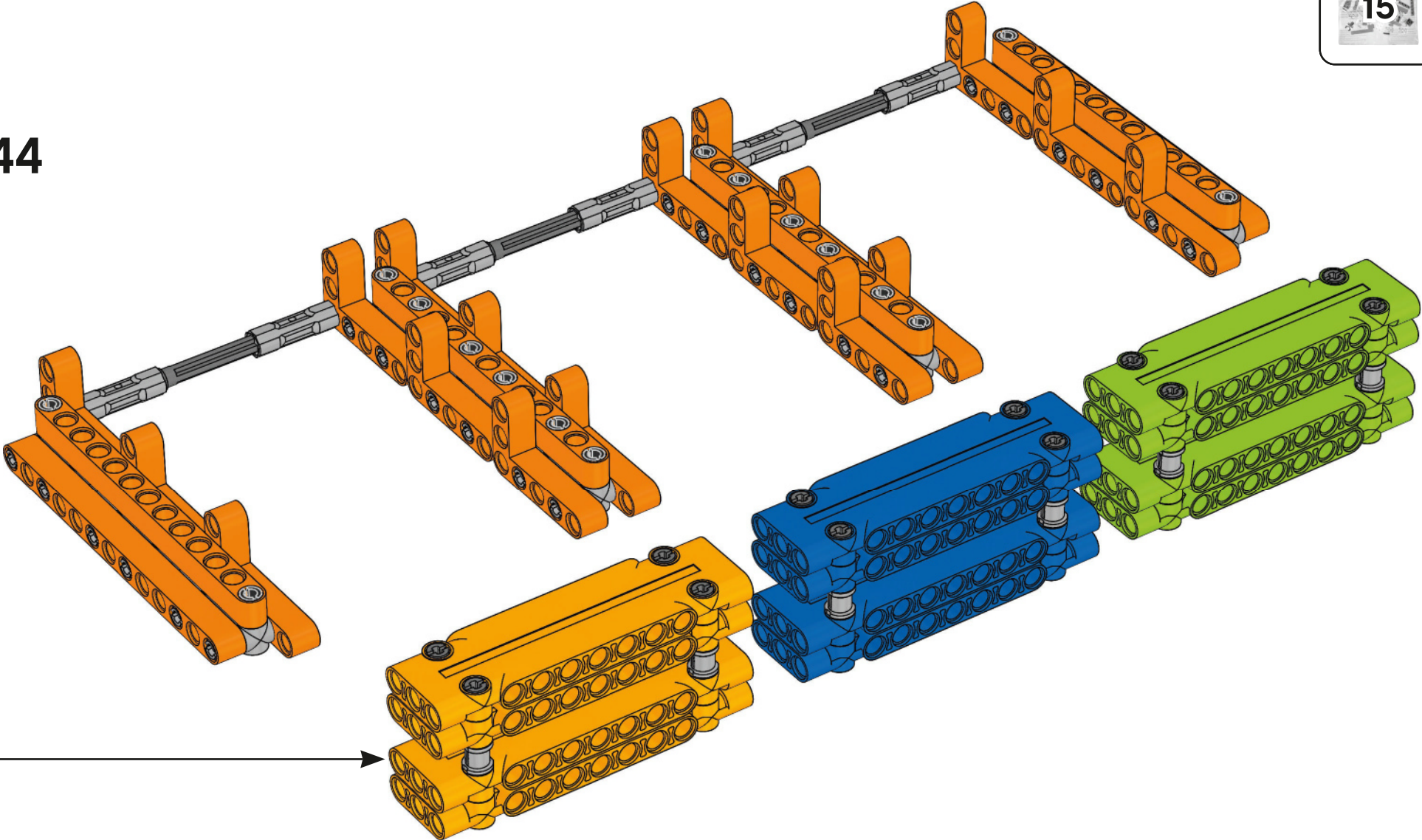


43





44



LEGO and the LEGO logo are trademarks of the/son des marques de commerce du/son marcas registradas de LEGO Group. ©2021 The LEGO Group. All rights reserved/Tous droits réservés/Todos los derechos reservados.

FIRST® is a registered trademark of For Inspiration and Recognition of Science and Technology (FIRST). LEGO® is a registered trademark of the LEGO Group. FIRST® LEGO® League and CARGO CONNECT™ are jointly held trademarks of FIRST and the LEGO Group.

©2021 FIRST and the LEGO Group. All rights reserved.