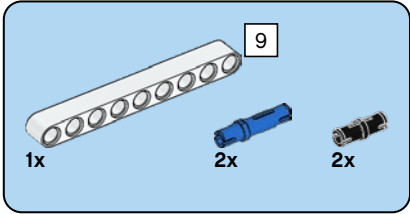
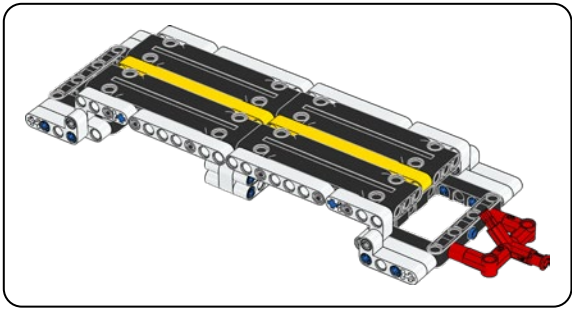
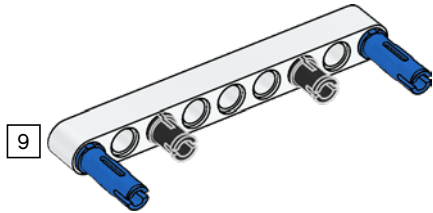


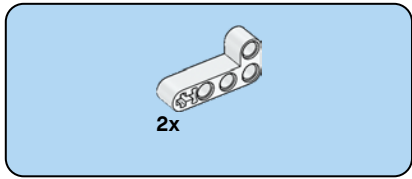
45816



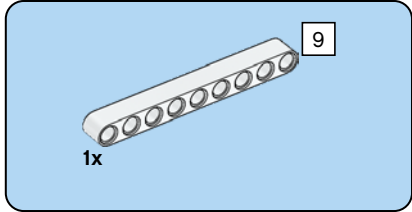
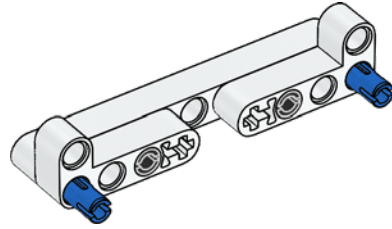


1

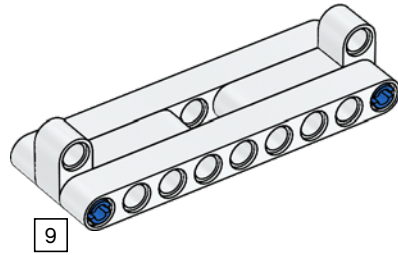


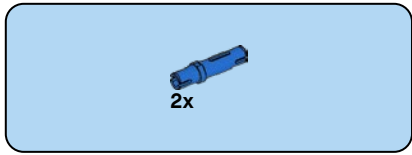


2

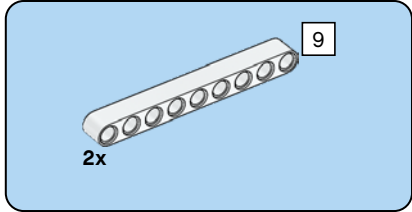
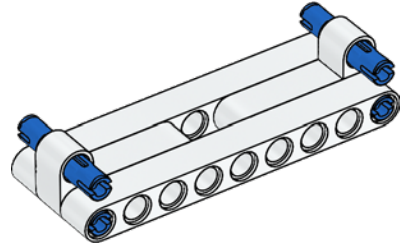


3

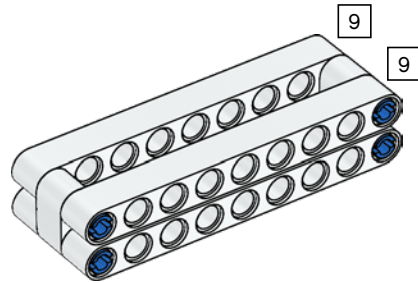


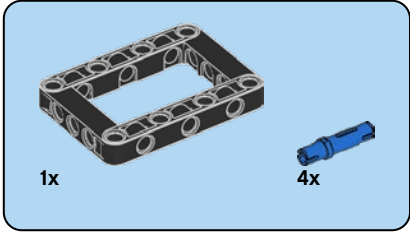
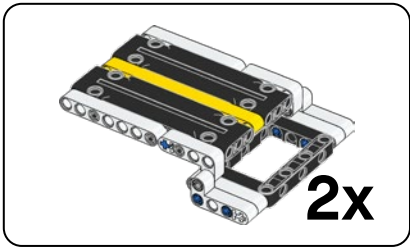


4

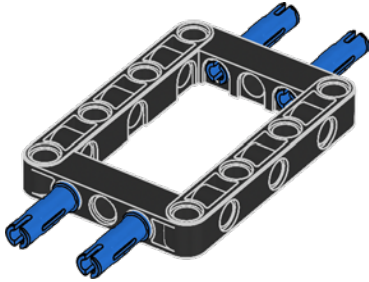


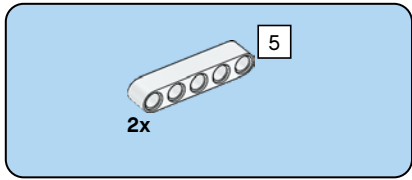
5



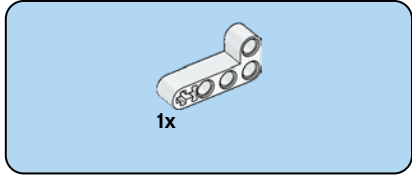
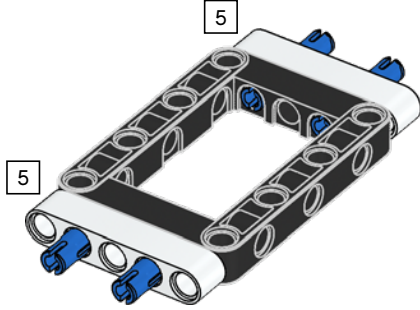


6

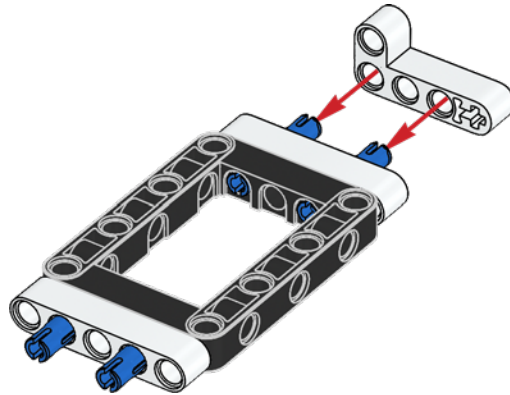


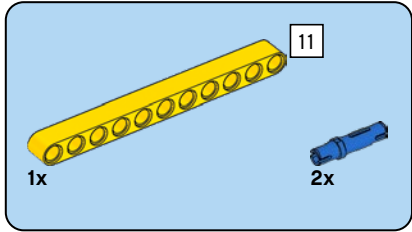
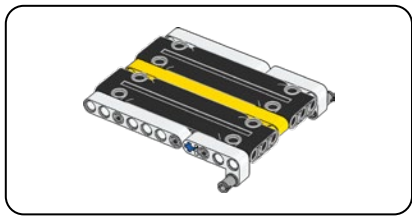


7

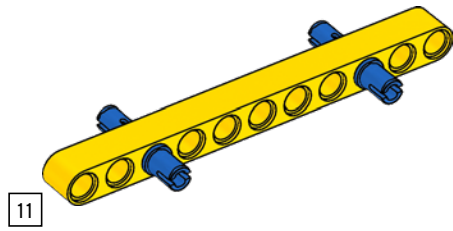


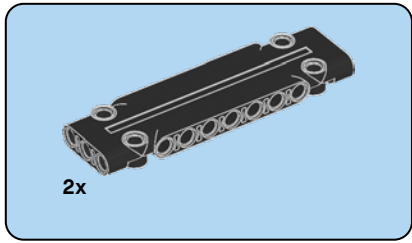
8



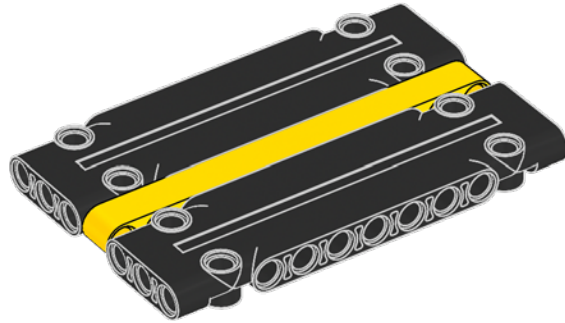


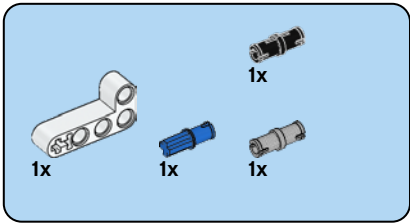
9



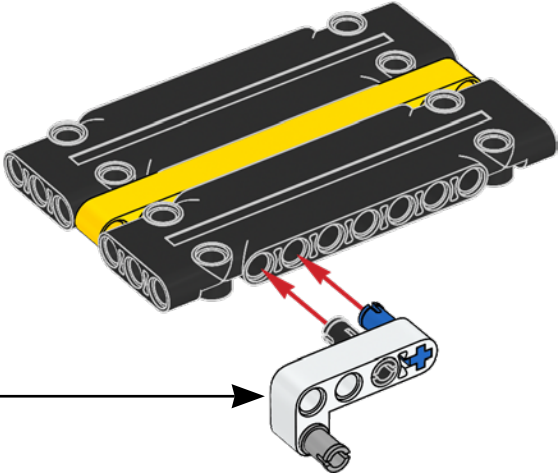
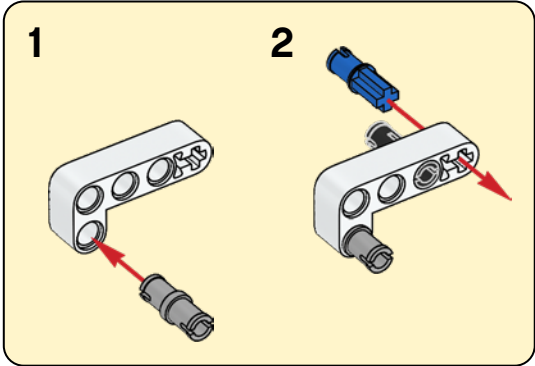


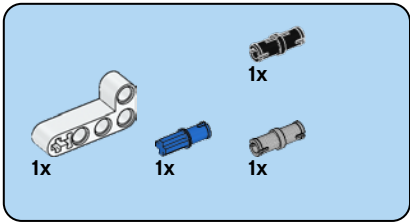
10



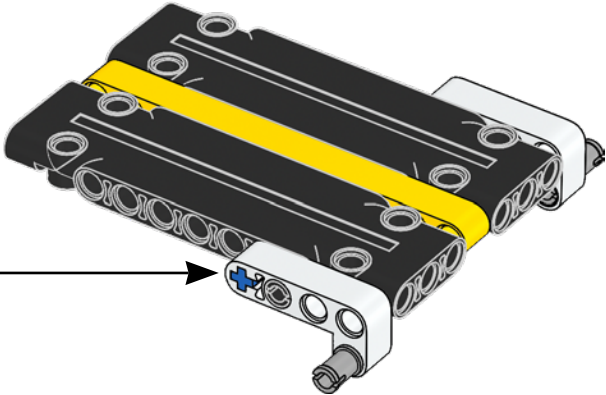
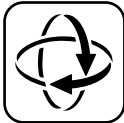
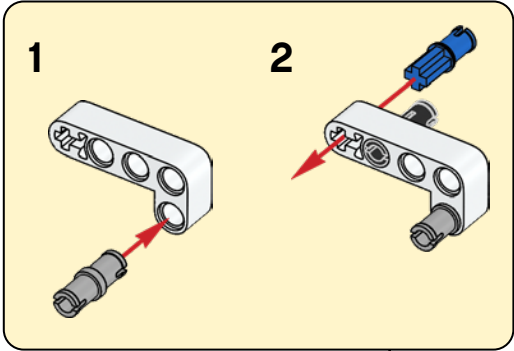


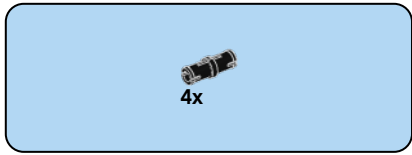
11



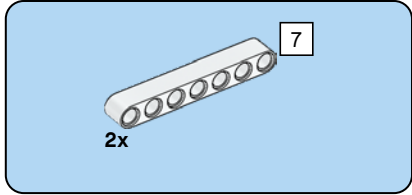
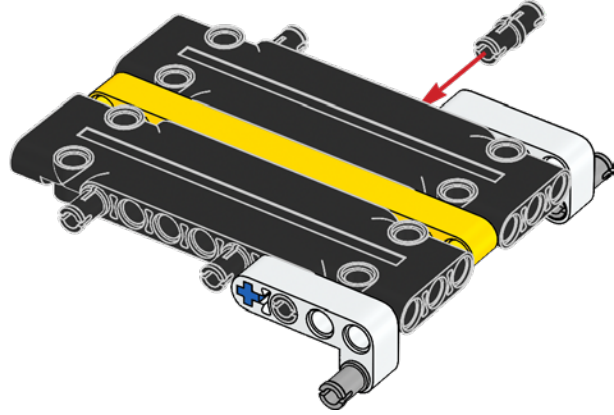


12

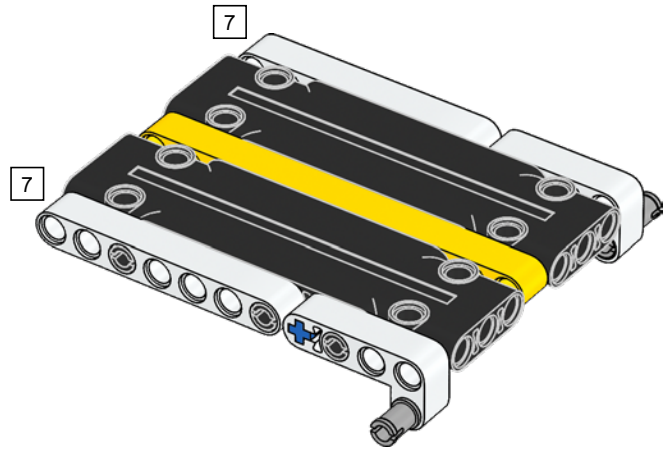




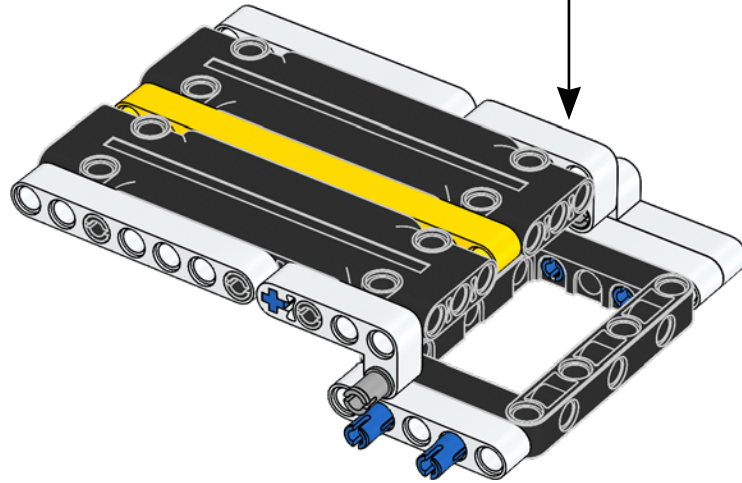
13

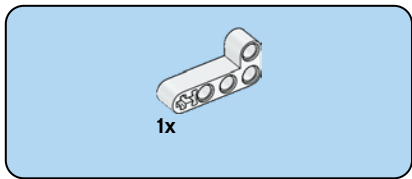


14

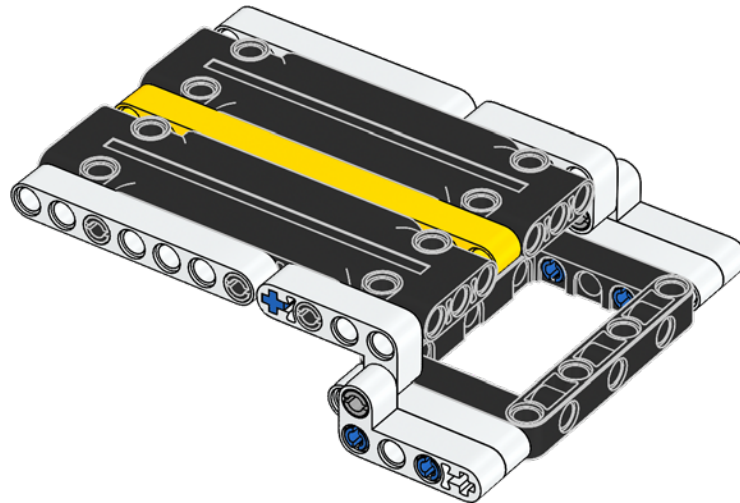


15



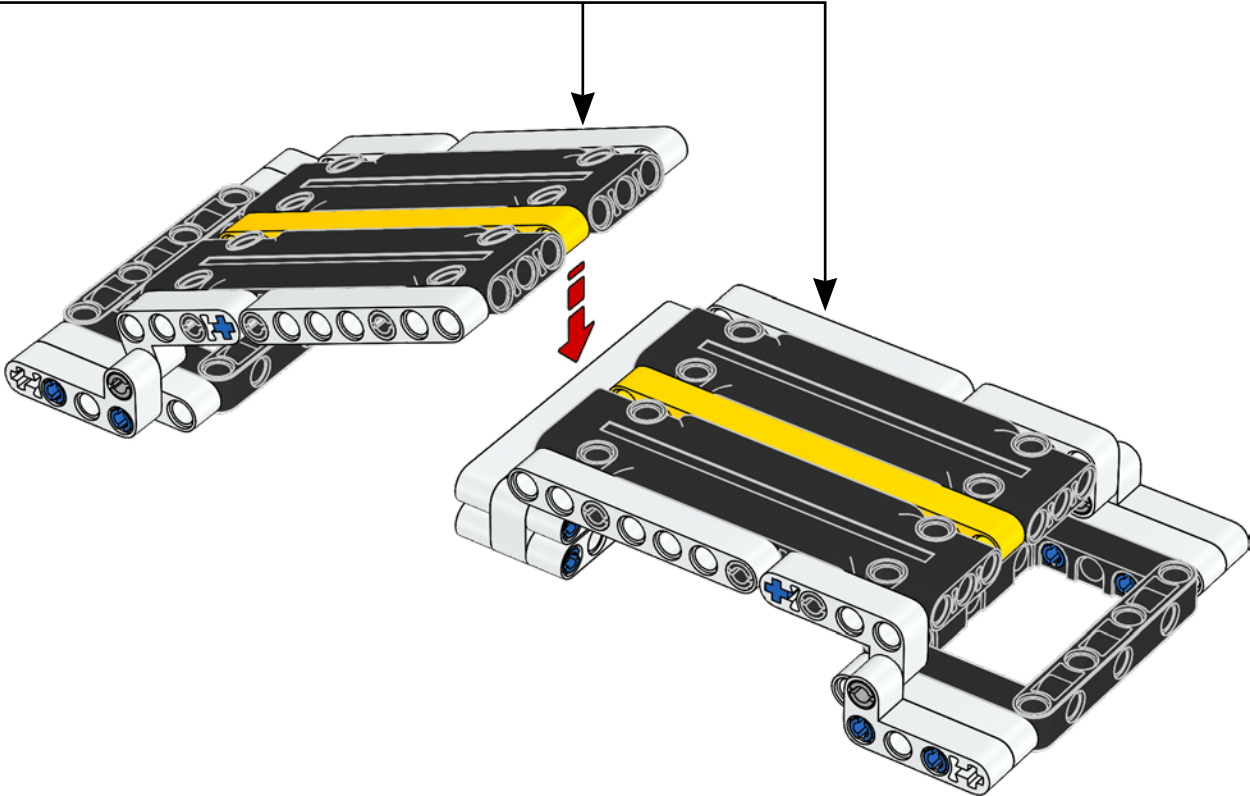


16



2x

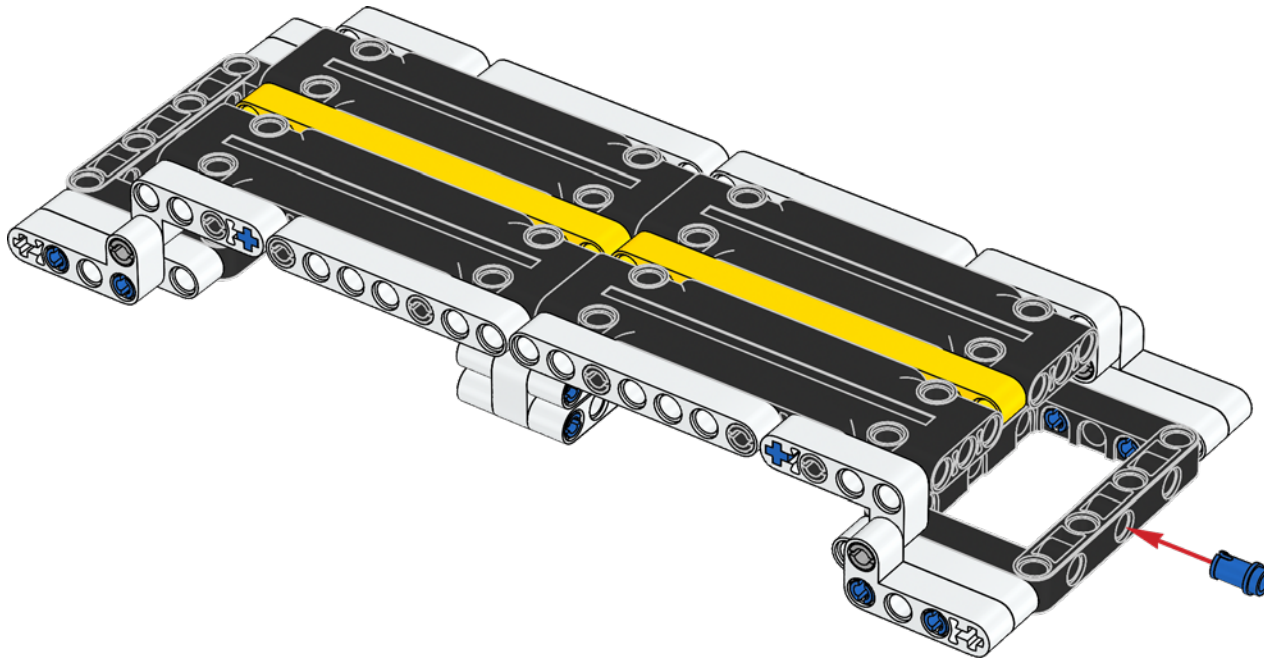
17

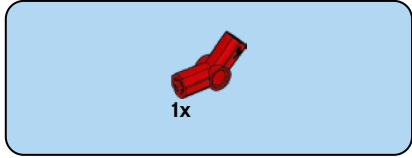
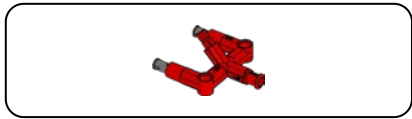


1x

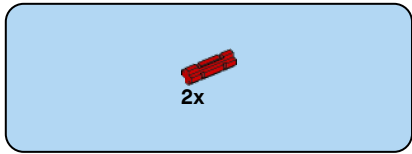
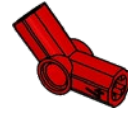


18

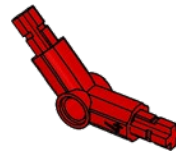


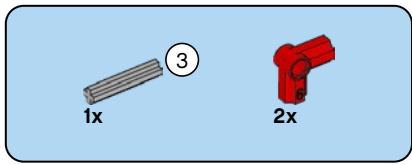


19

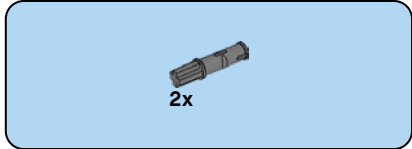
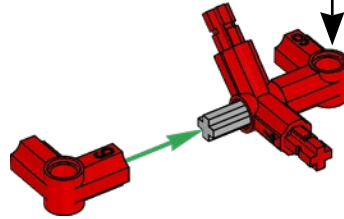
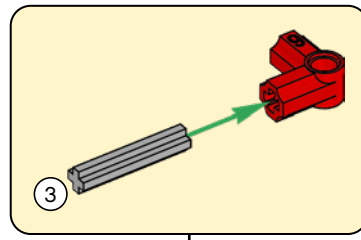


20

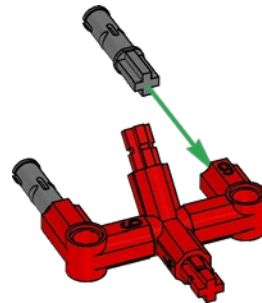




21



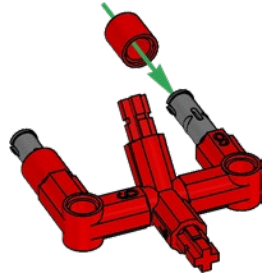
22





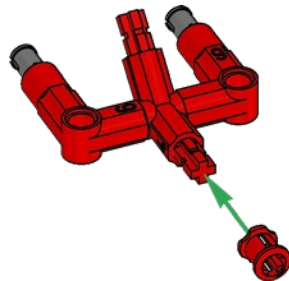
2x

23

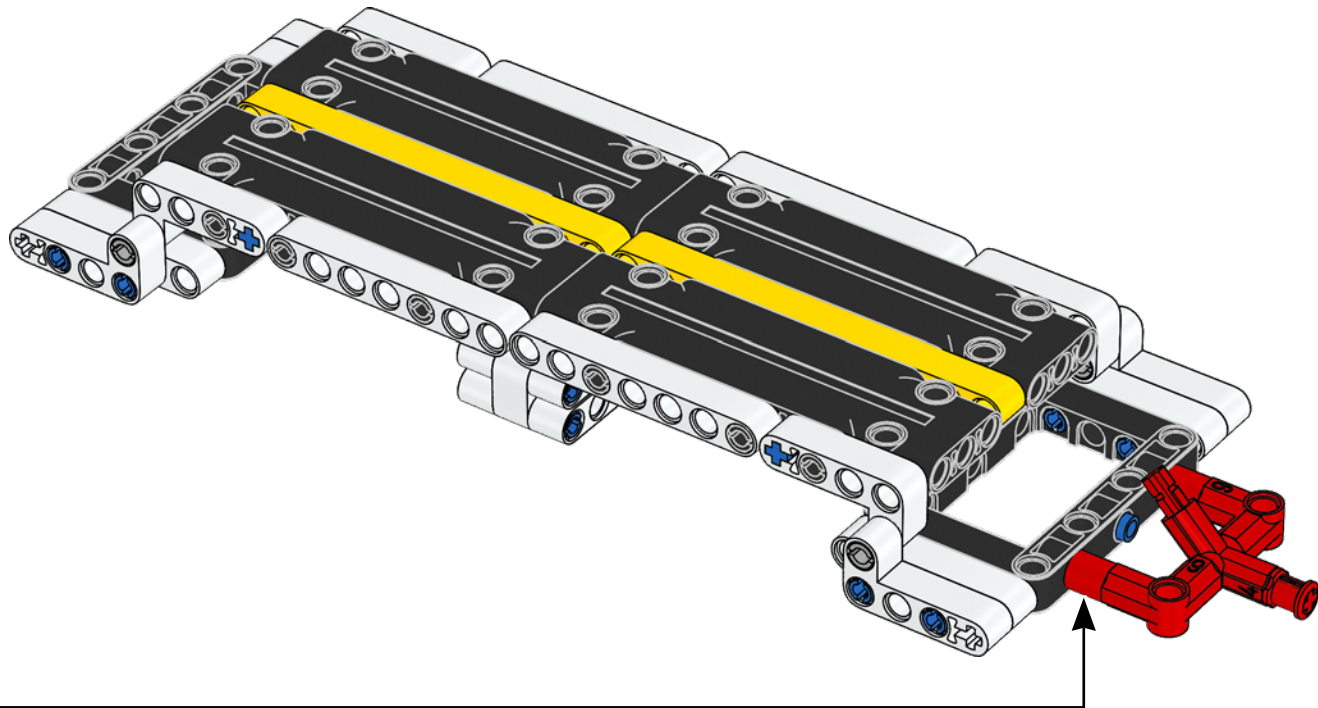


1x

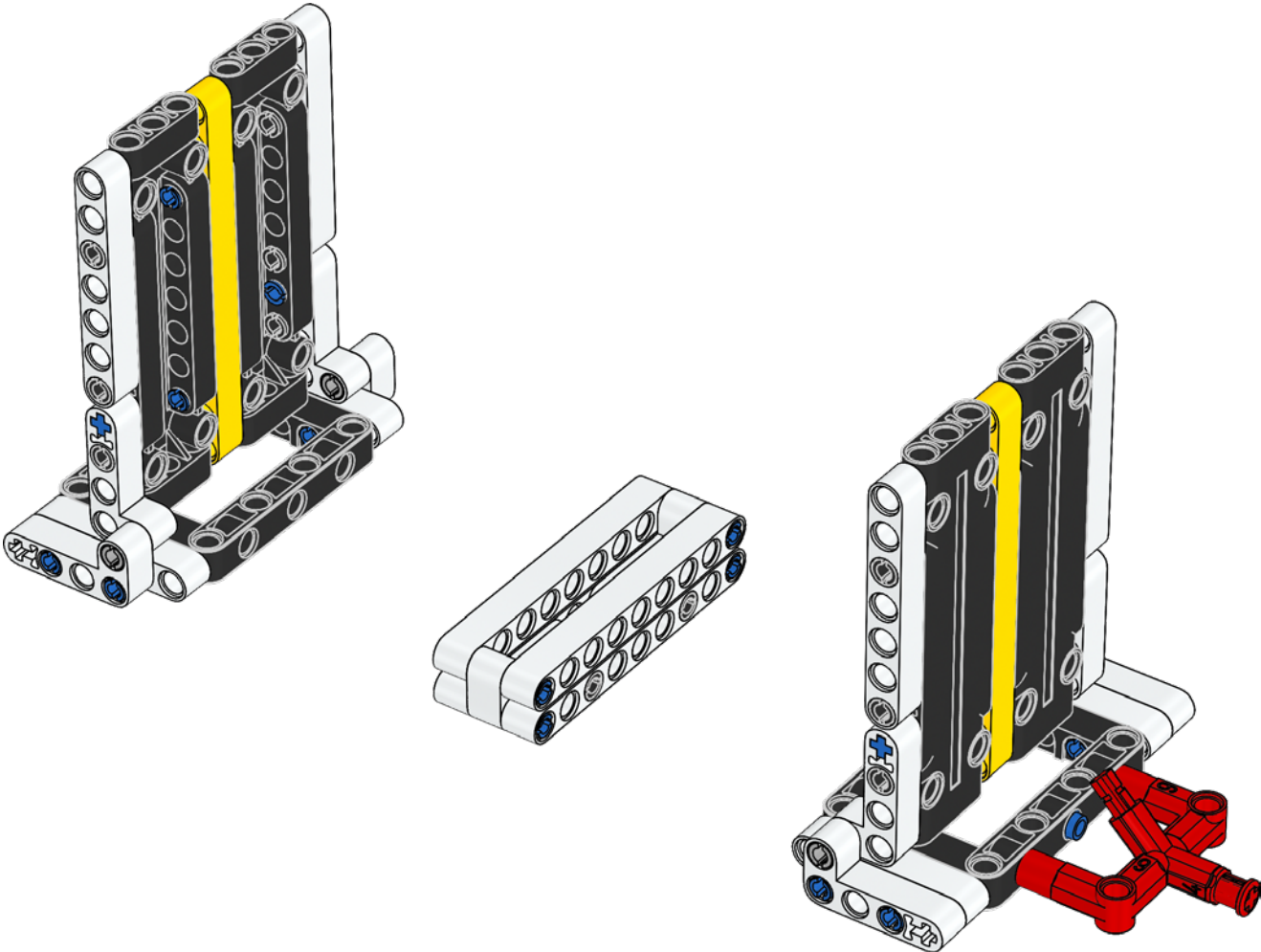
24



25



26



LEGO and the LEGO logo are trademarks of the/son des marques de commerce du/son marcas registradas de LEGO Group. ©2021 The LEGO Group. All rights reserved/Tous droits réservés/Todos los derechos reservados.

FIRST® is a registered trademark of For Inspiration and Recognition of Science and Technology (FIRST). LEGO® is a registered trademark of the LEGO Group. FIRST® LEGO® League and CARGO CONNECT™ are jointly held trademarks of FIRST and the LEGO Group.

©2021 FIRST and the LEGO Group. All rights reserved.