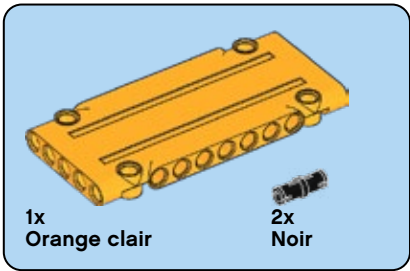
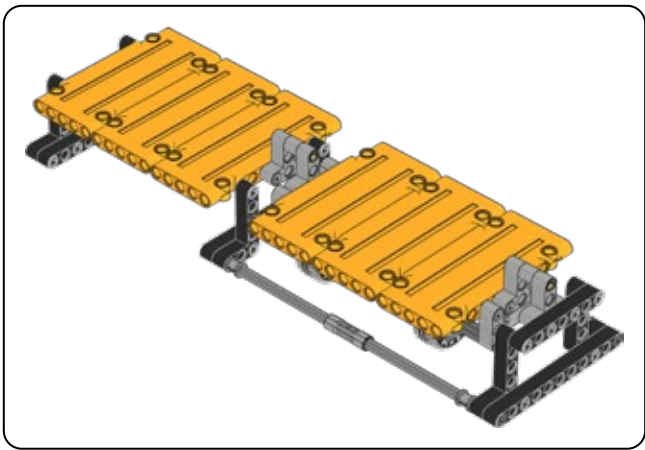
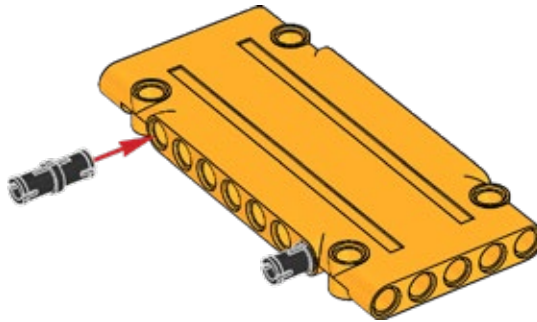
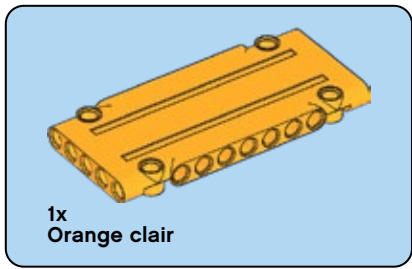


45816

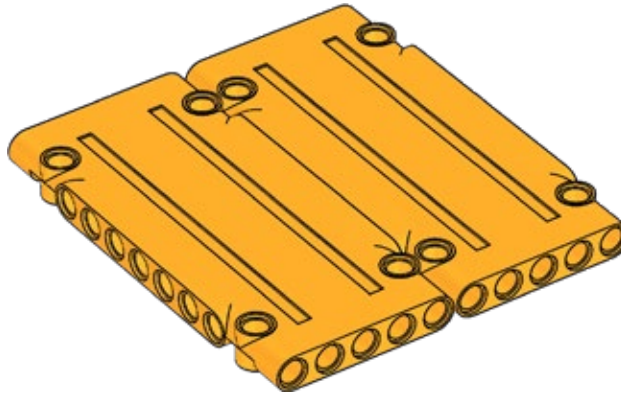


1

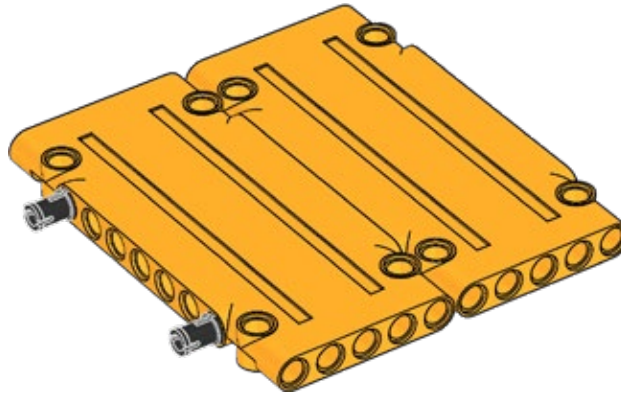


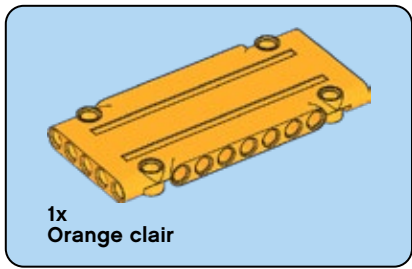


2

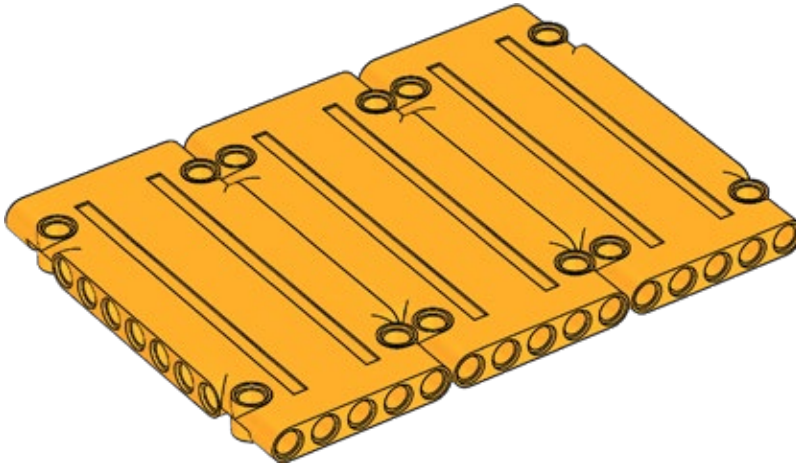


3

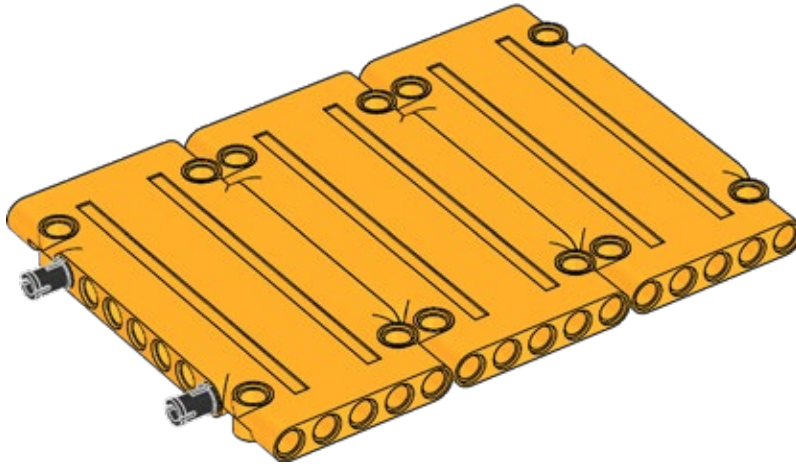


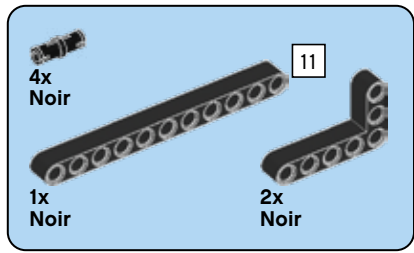


4

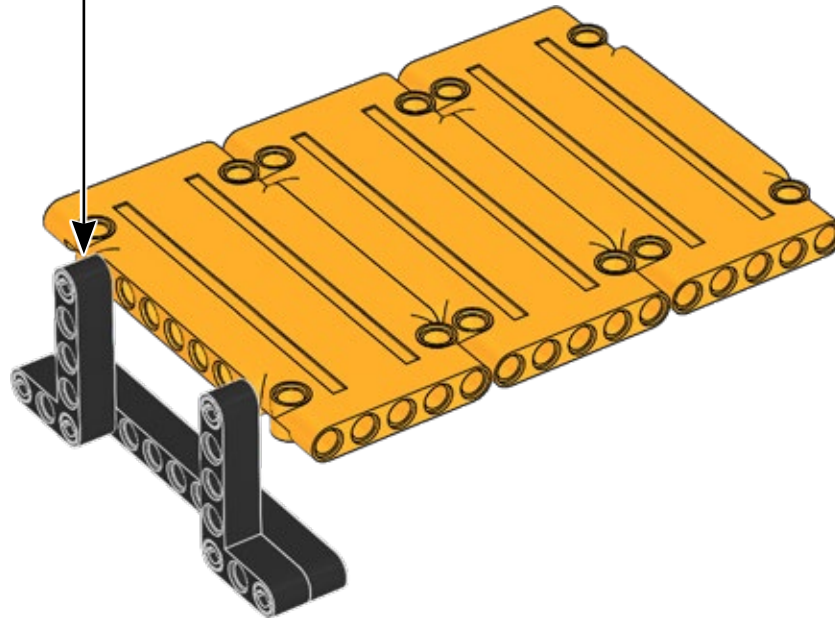
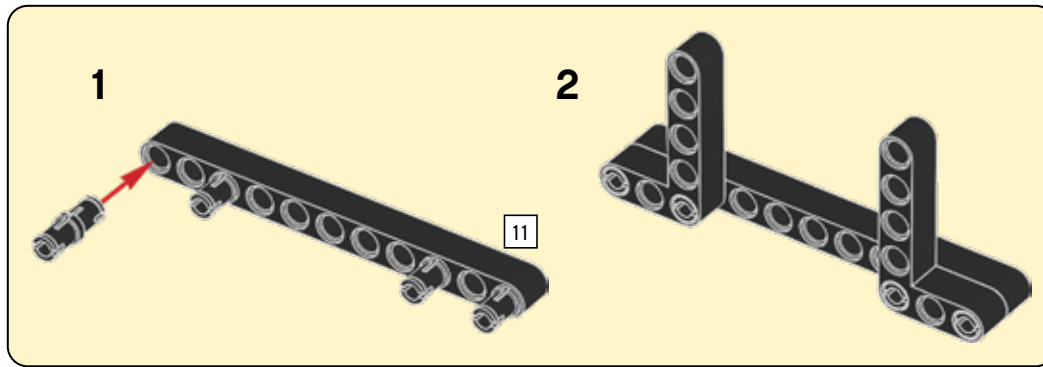


5



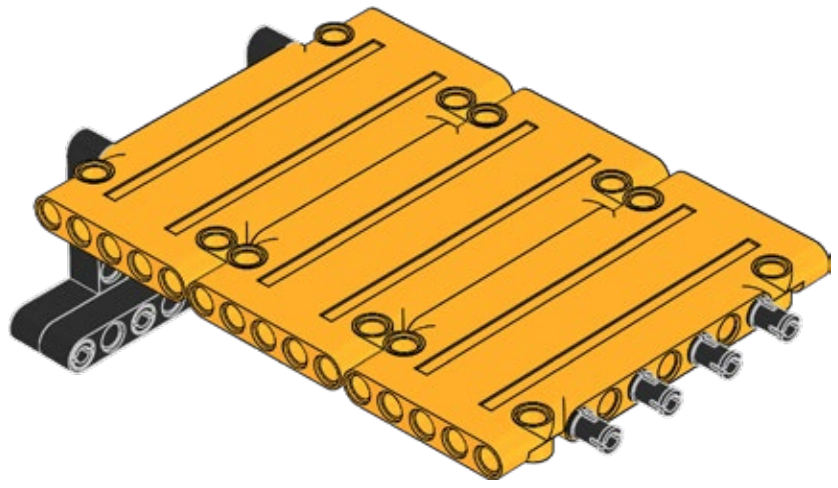


6



4x
Noir

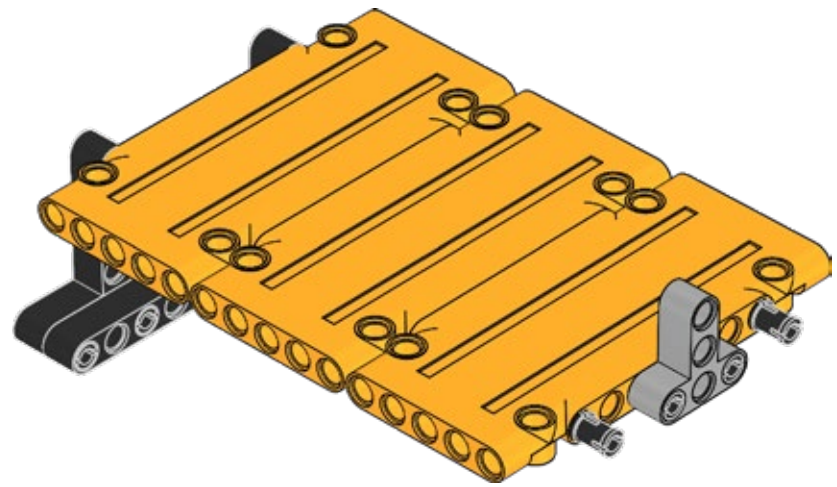
7

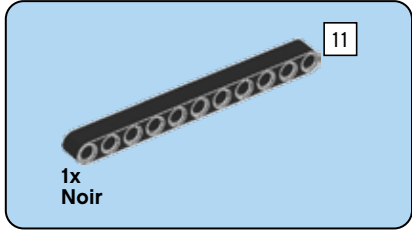
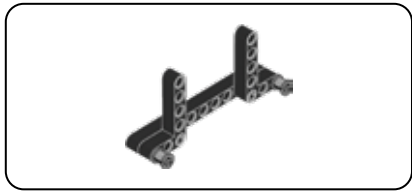


8

1x
Gris

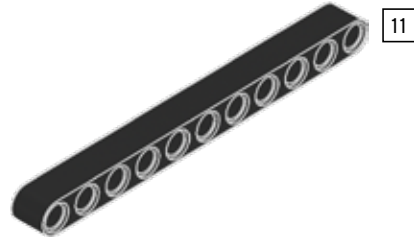
8





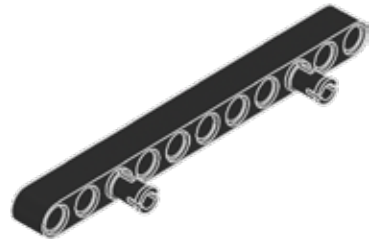
1x
Noir

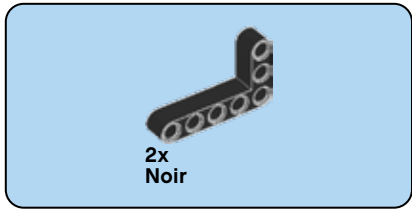
9



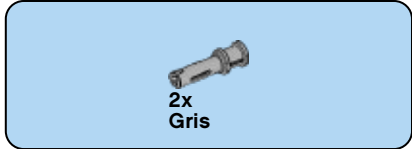
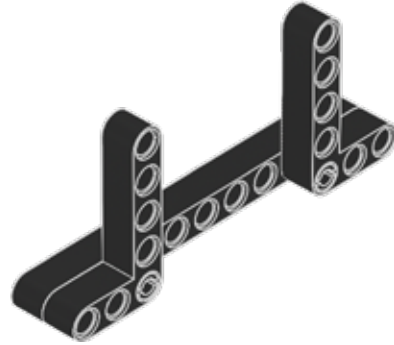
2x
Noir

10

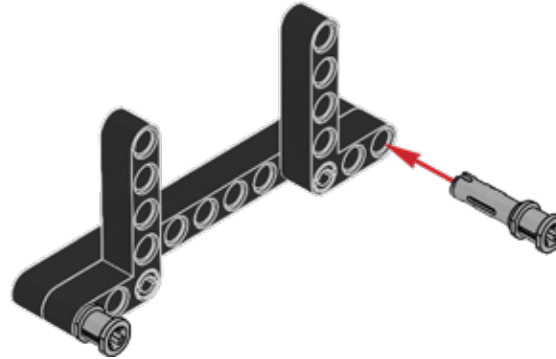


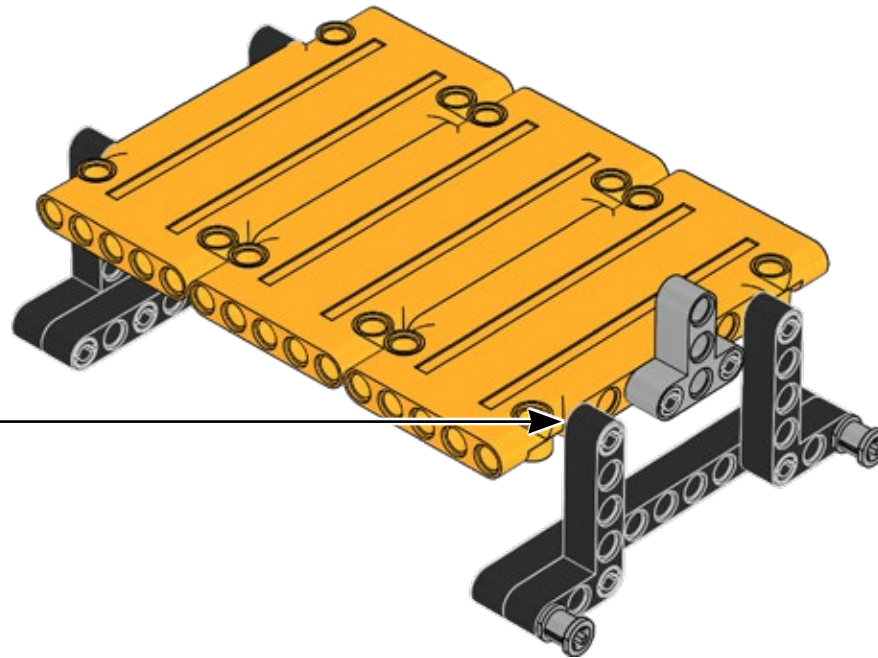


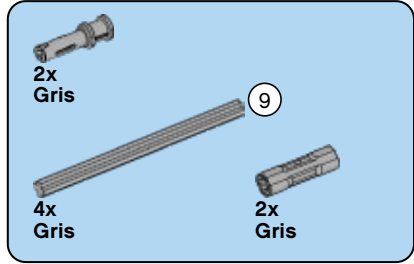
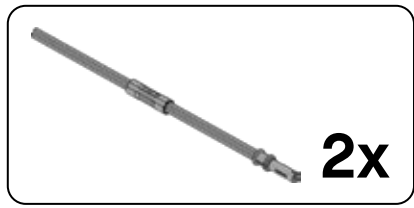
11



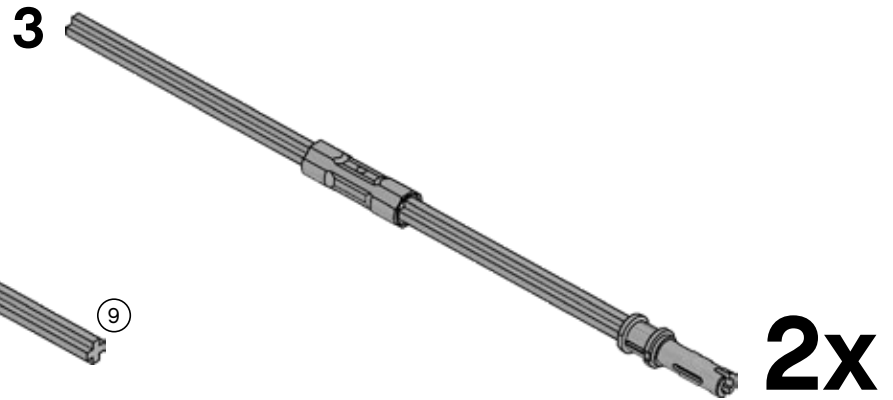
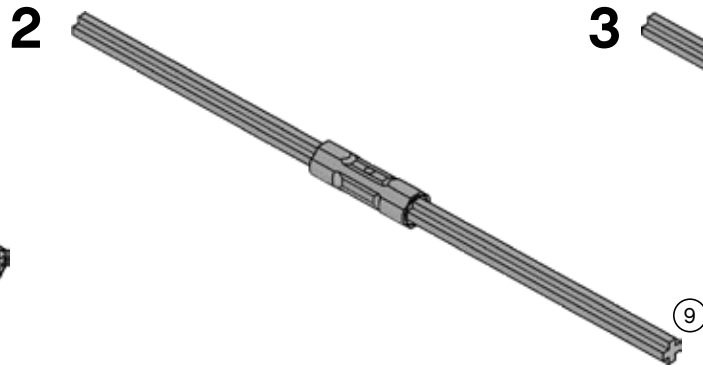
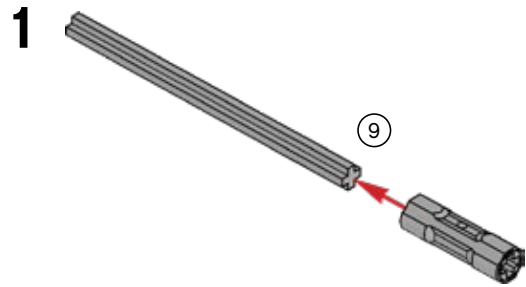
12

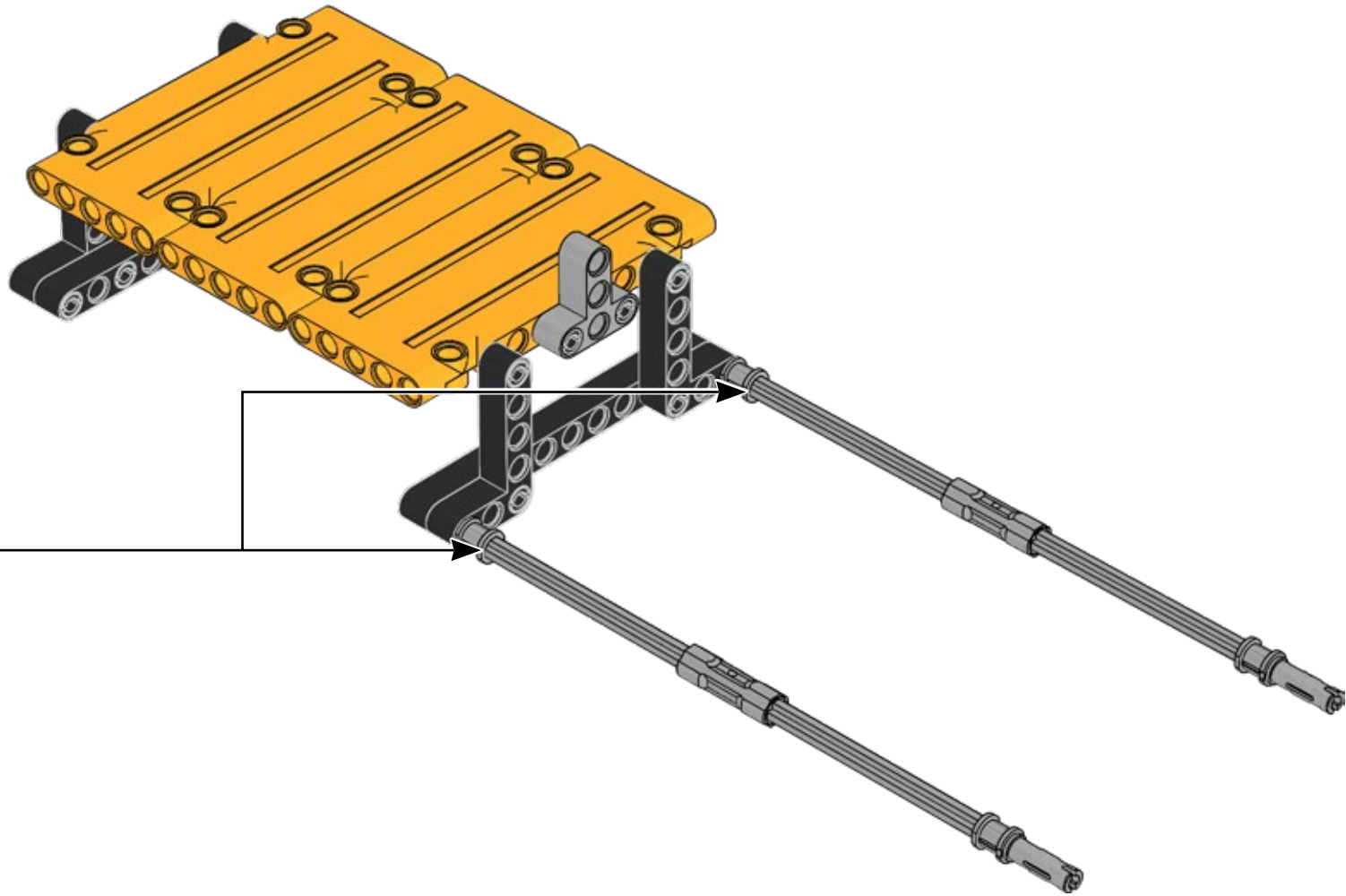


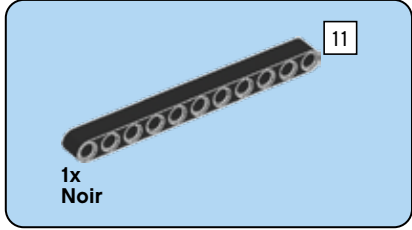
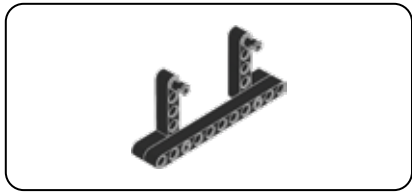




14





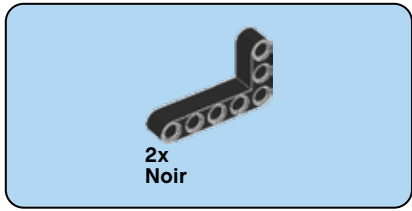


16

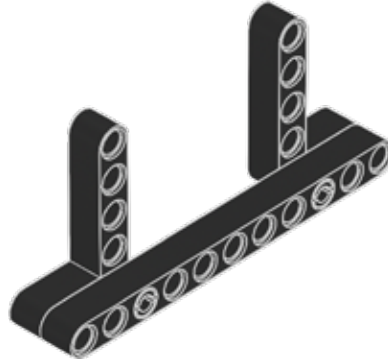


17

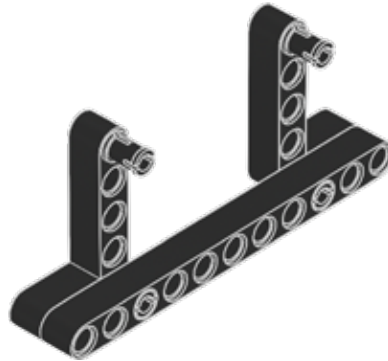


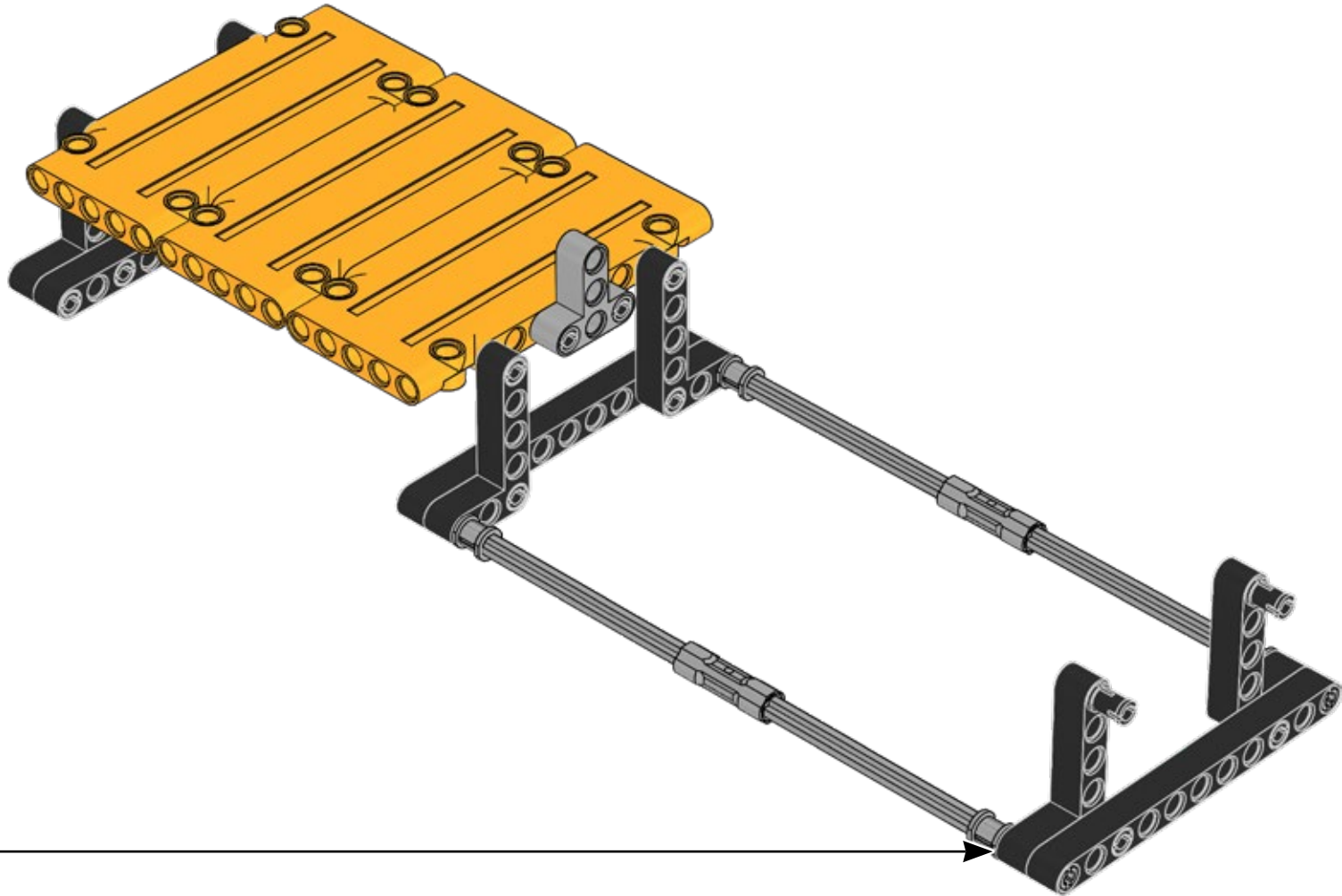


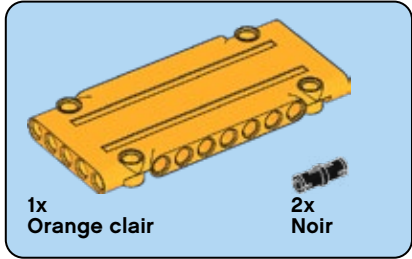
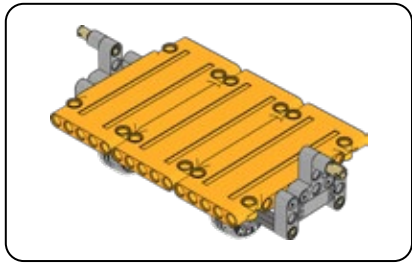
18



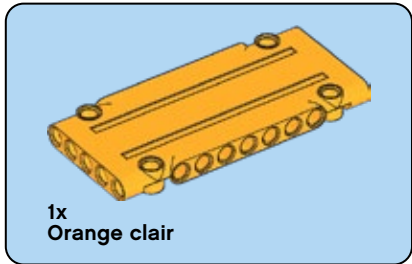
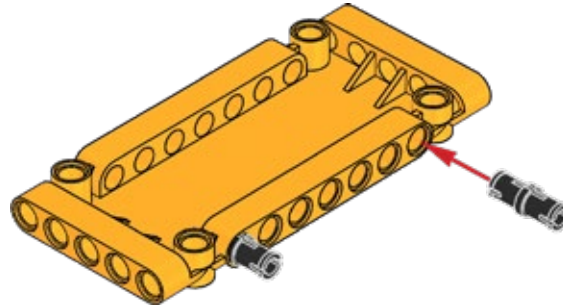
19



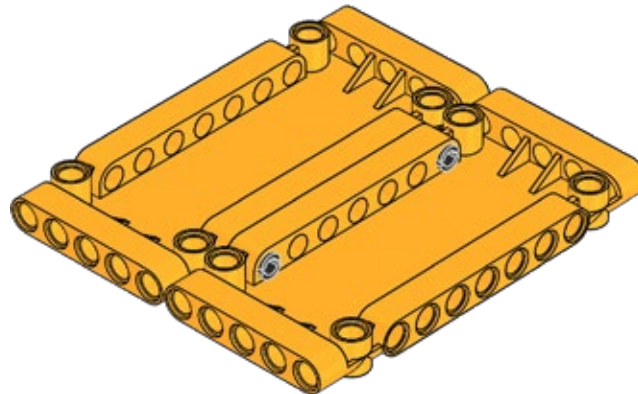




21

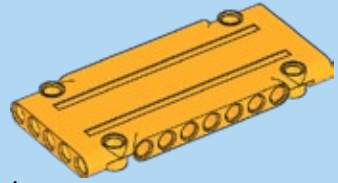
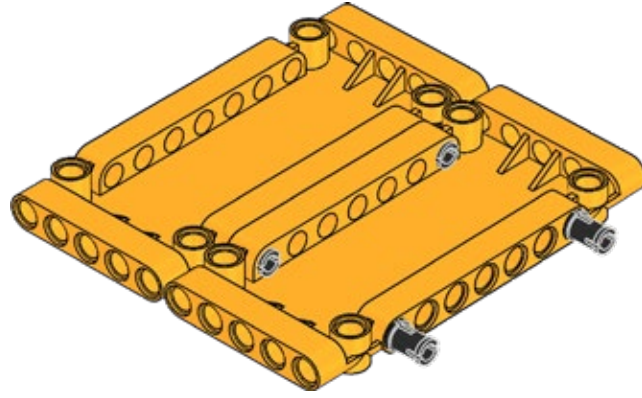


22



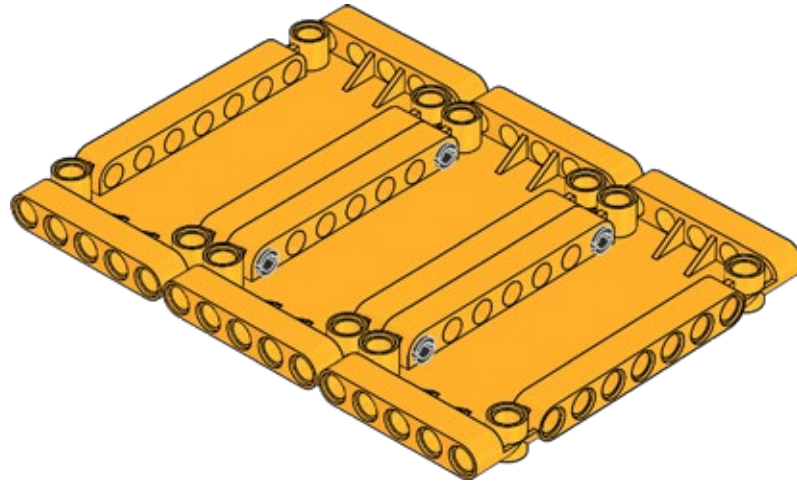
2x
Noir

23



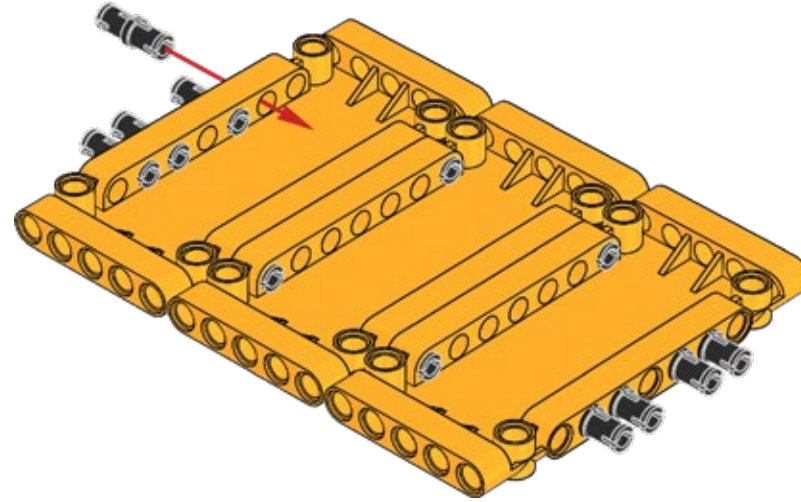
1x
Orange clair

24



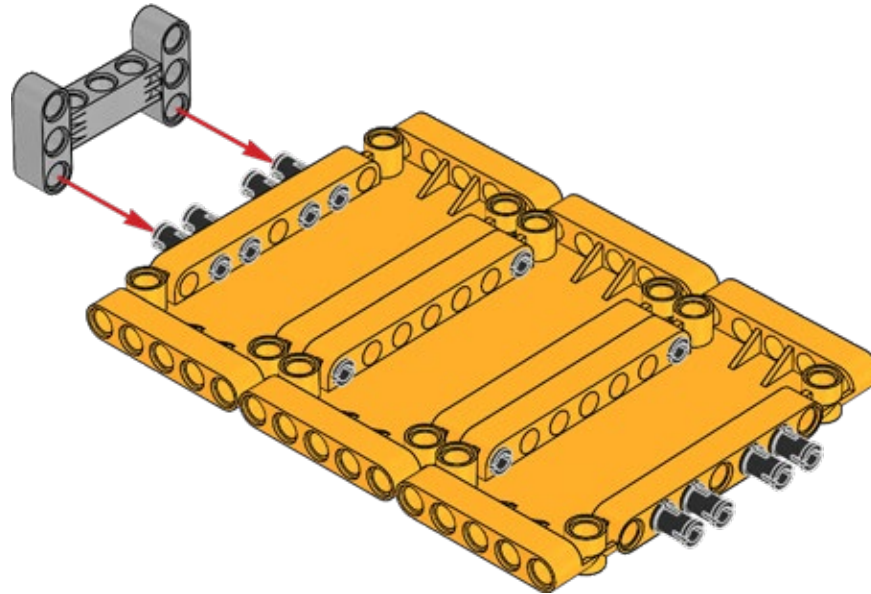
8x
Noir

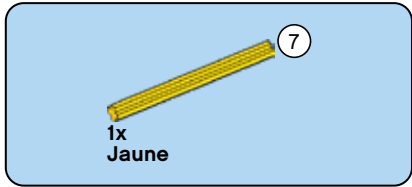
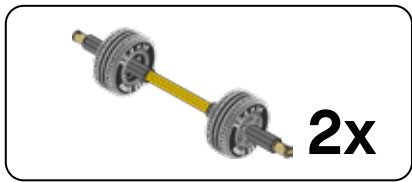
25



1x
Gris

26

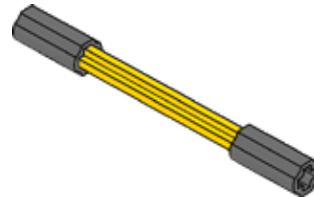
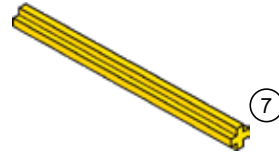


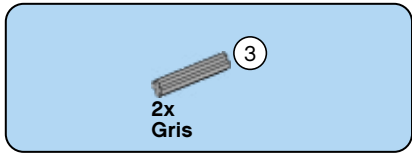


27

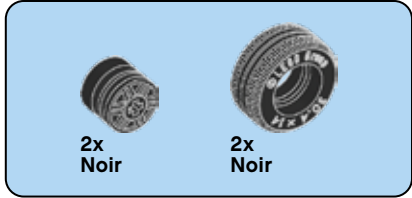
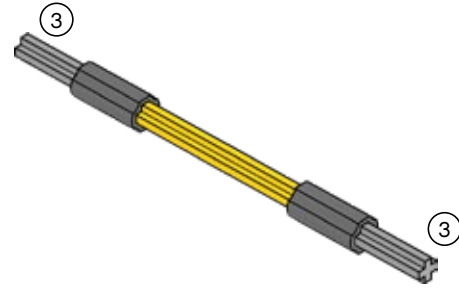


28

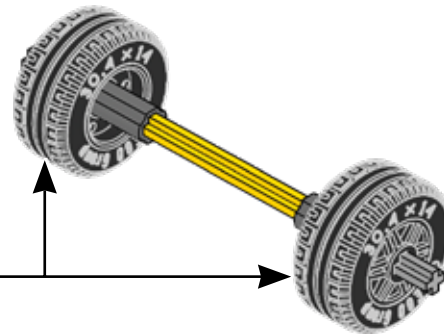
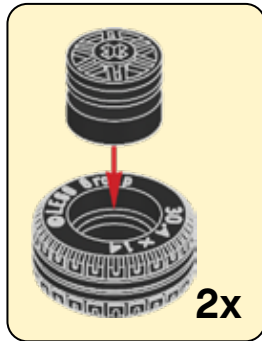




29

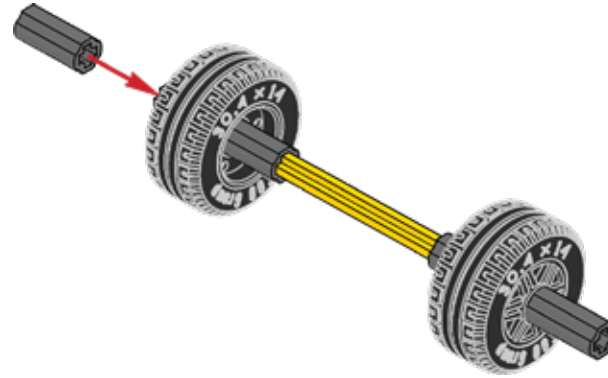


30



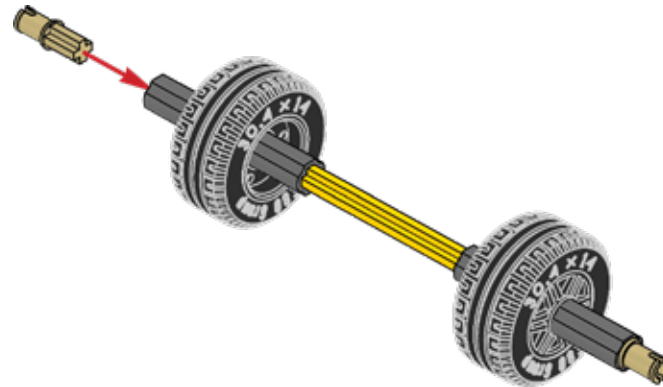
2x
Gris foncé

31



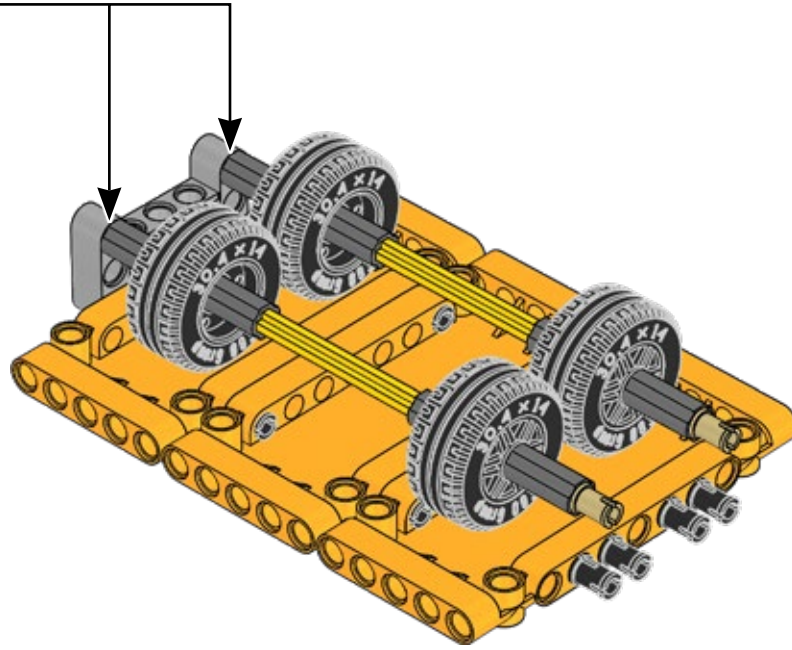
2x
Beige

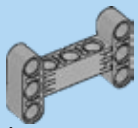
32



2x



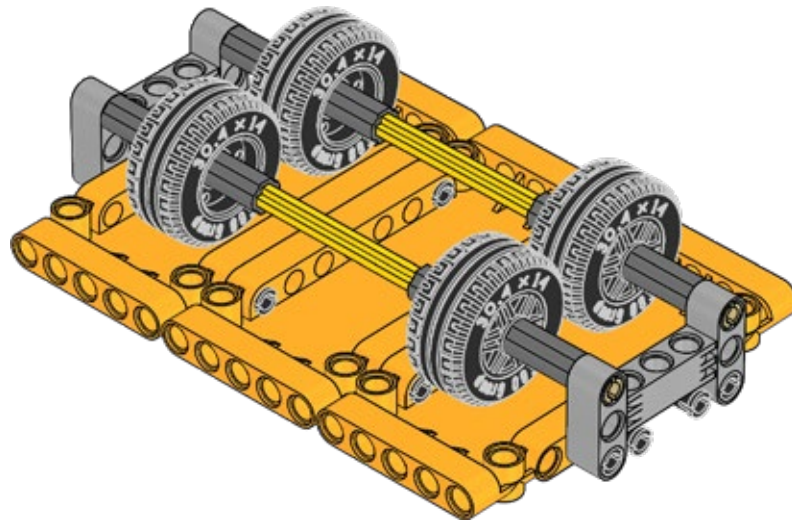


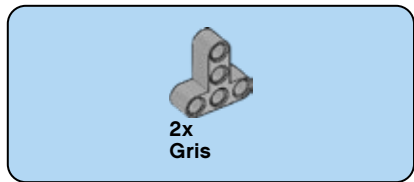


1x
Gris

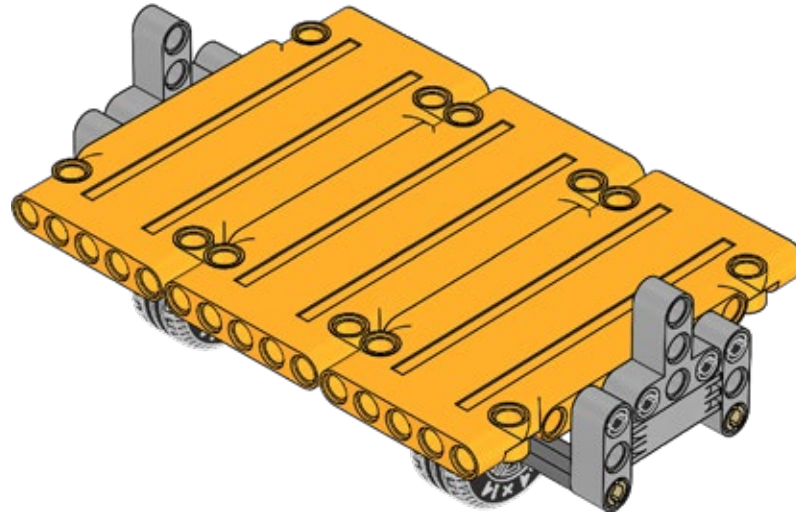


34

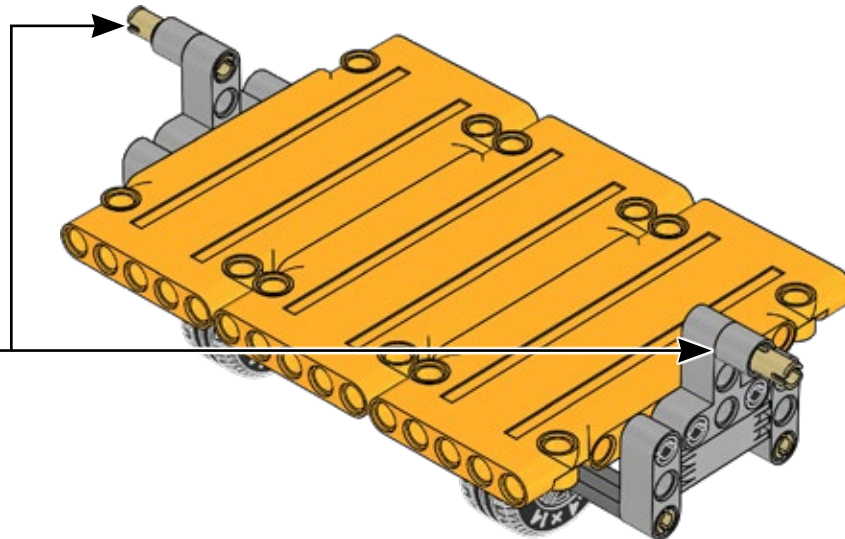
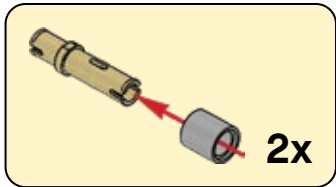


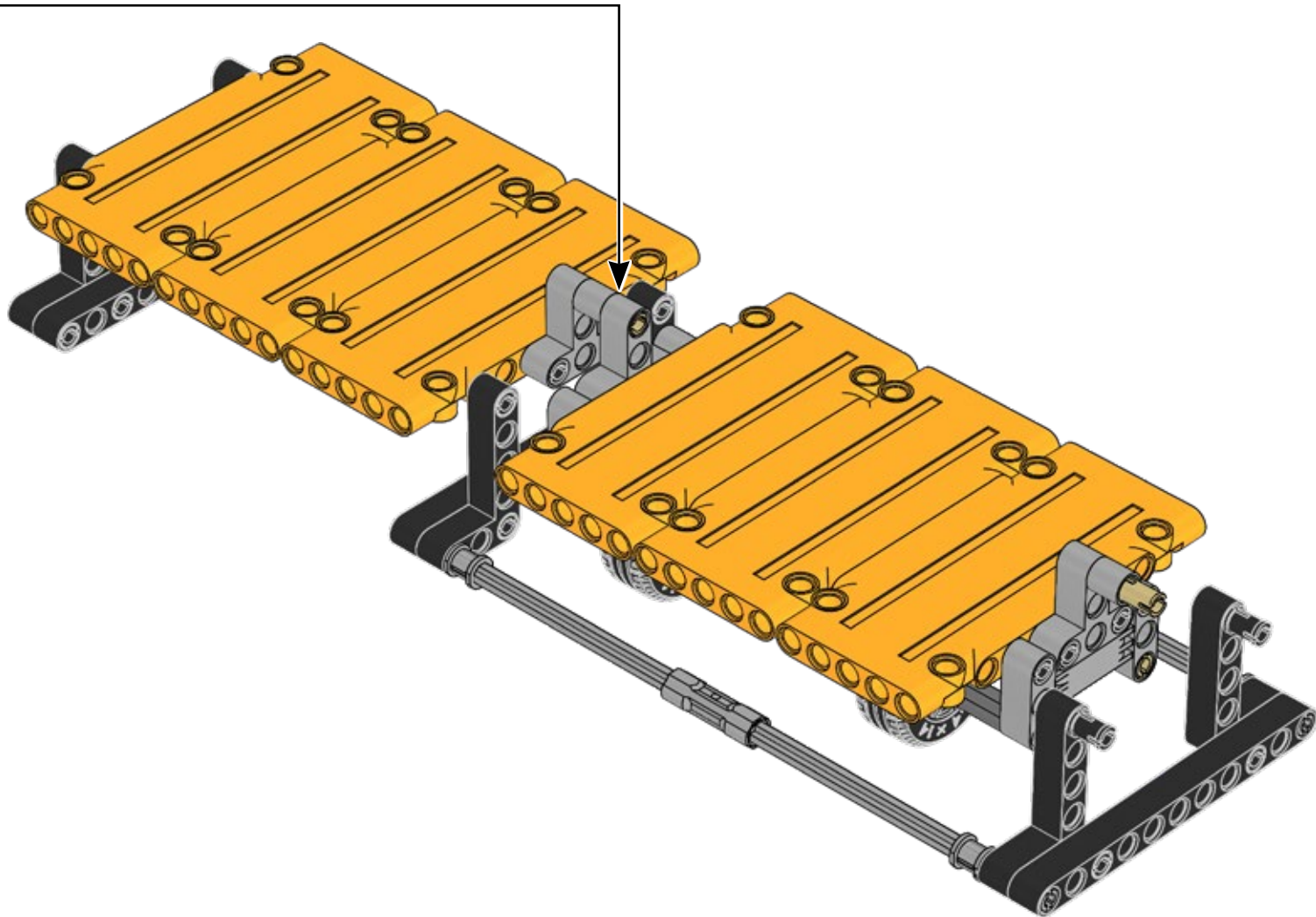


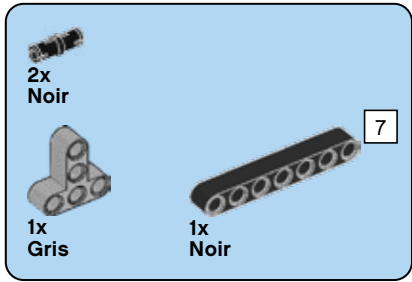
35



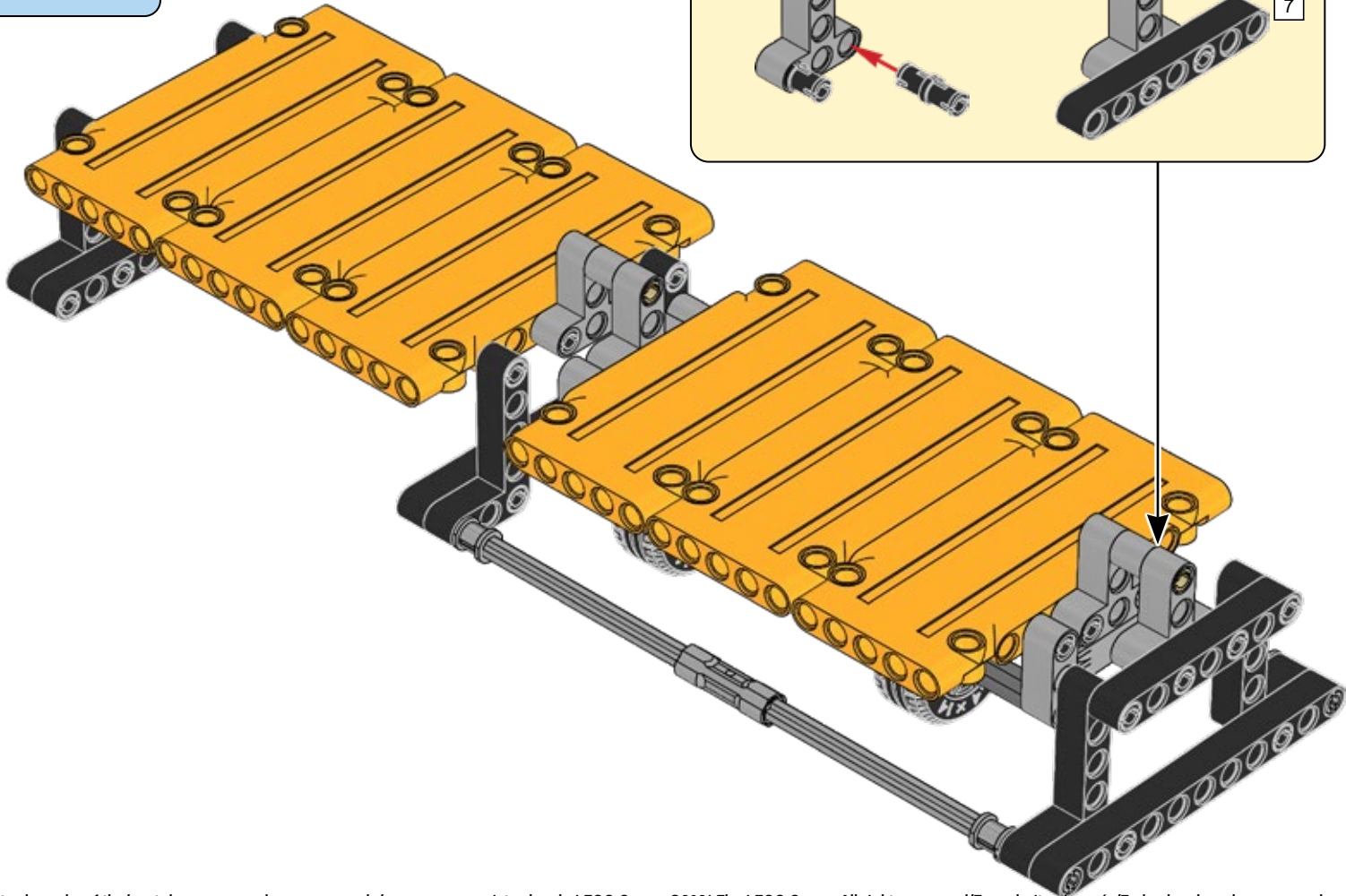
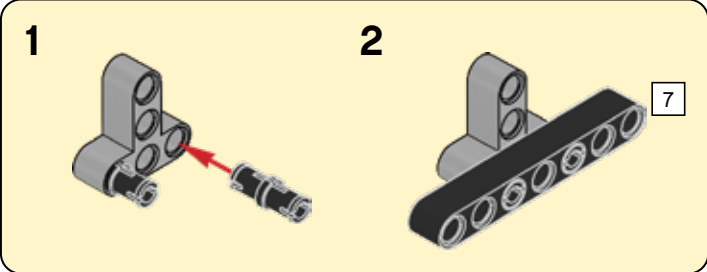
36







38



LEGO and the LEGO logo are trademarks of the/son des marques de commerce du/son marcas registradas de LEGO Group. ©2021 The LEGO Group. All rights reserved/Tous droits réservés/Todos los derechos reservados.

FIRST® is a registered trademark of For Inspiration and Recognition of Science and Technology (FIRST). LEGO® is a registered trademark of the LEGO Group. FIRST® LEGO® League and CARGO CONNECT™ are jointly held trademarks of FIRST and the LEGO Group.

©2021 FIRST and the LEGO Group. All rights reserved.