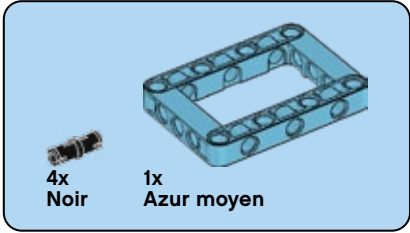
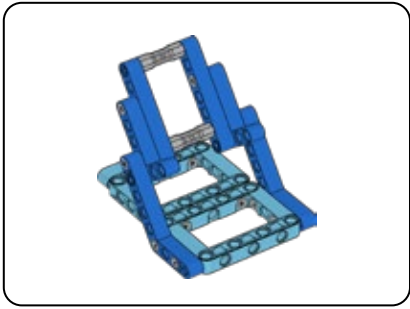
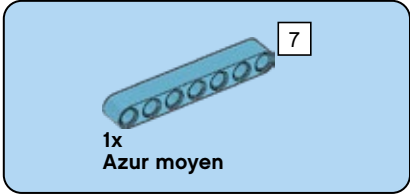
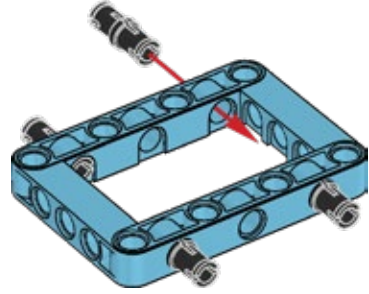


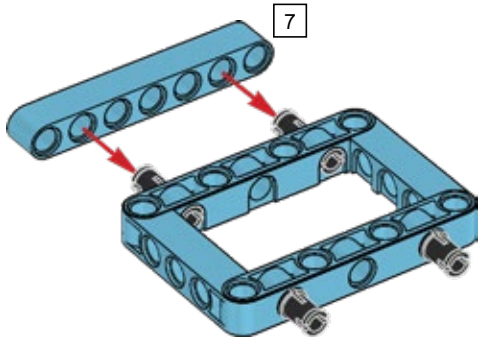
45816

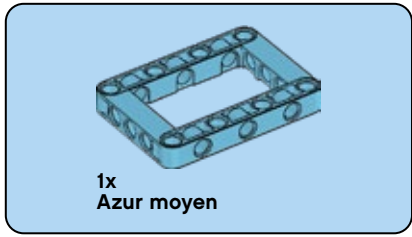


1

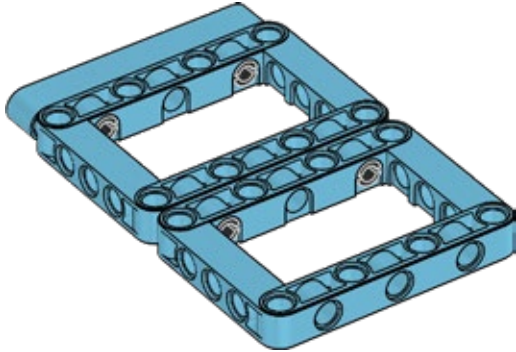


2

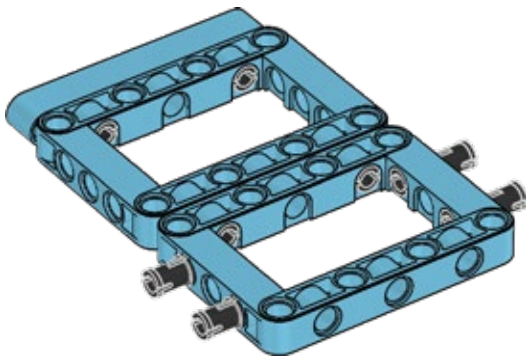


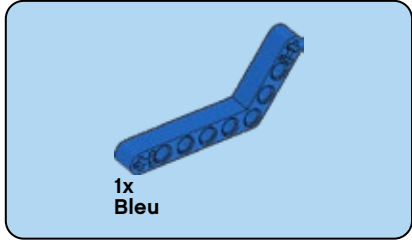
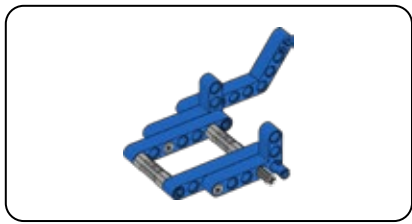


3

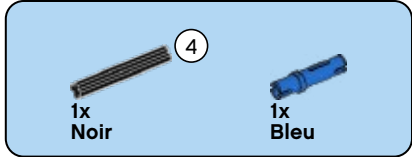


4

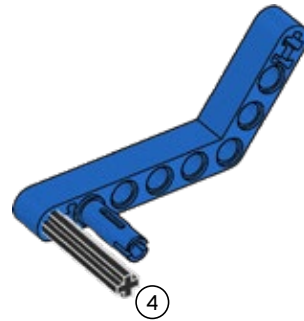
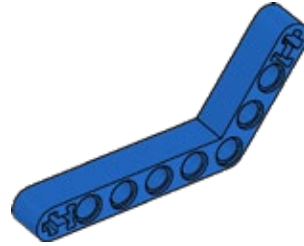


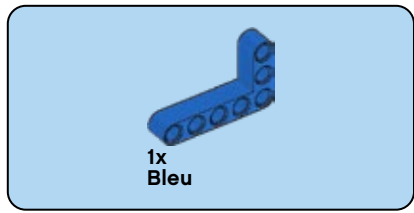


5

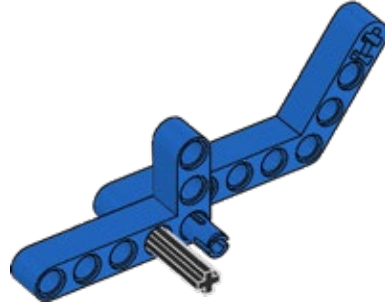


6

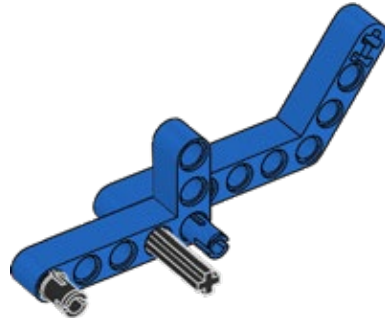


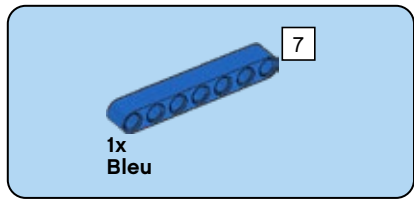


7

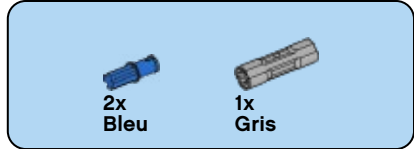
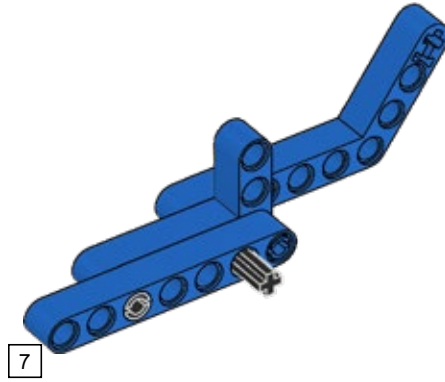


8

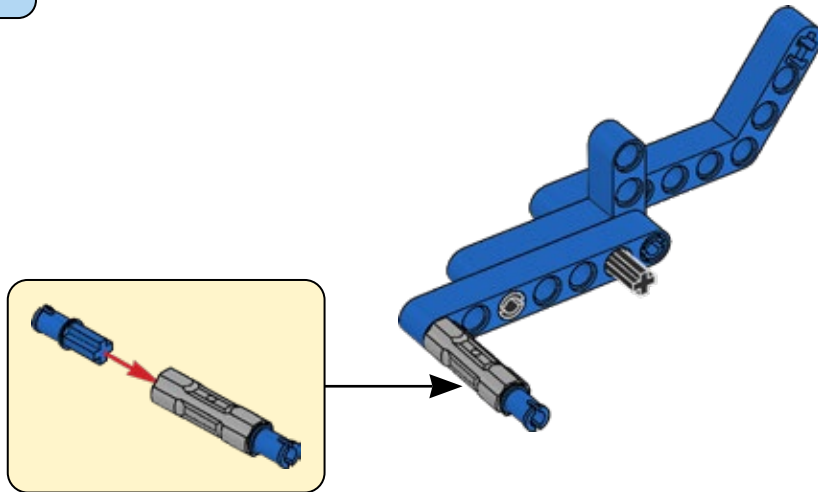


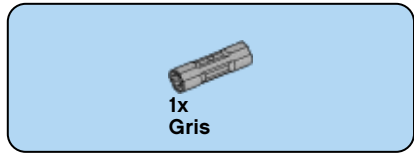


9

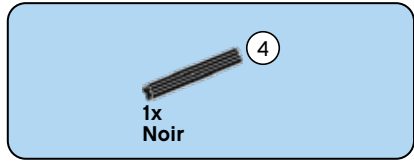
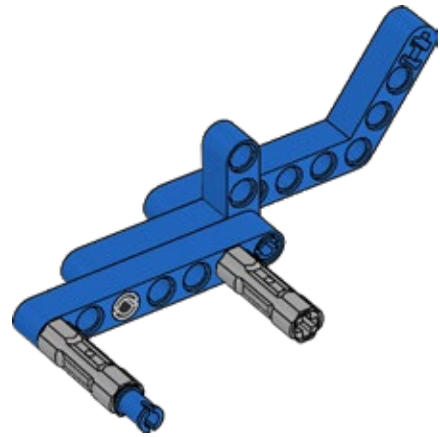


10

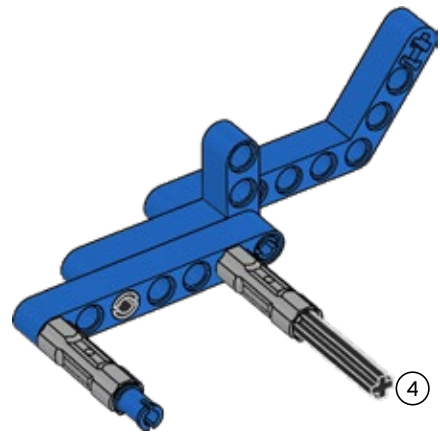


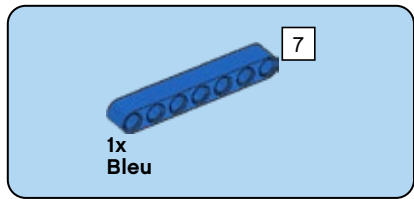


11



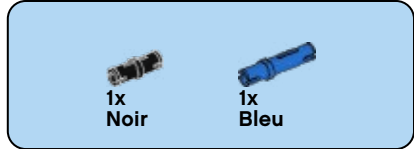
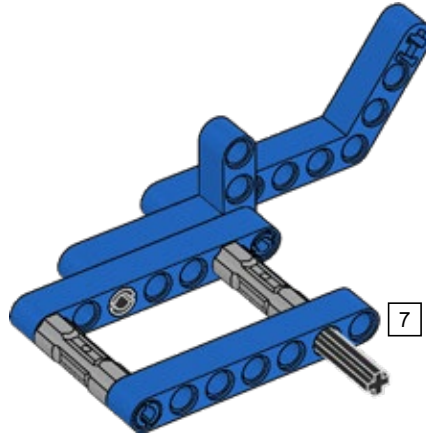
12





1x
Bleu

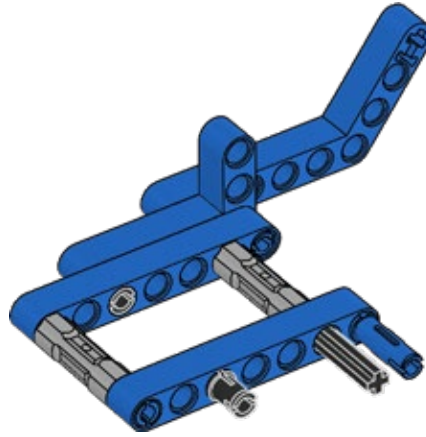
13

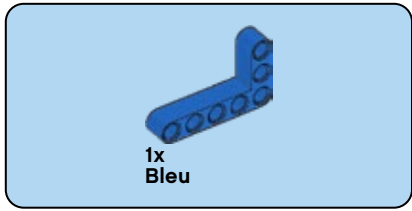


1x
Noir

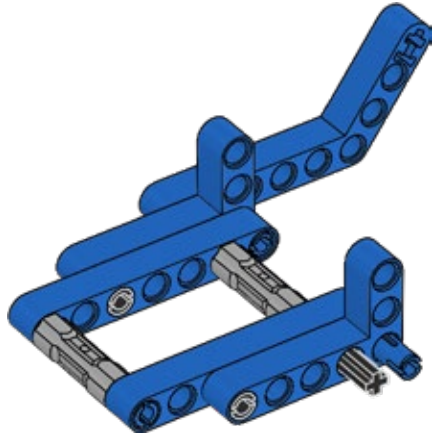
1x
Bleu

14

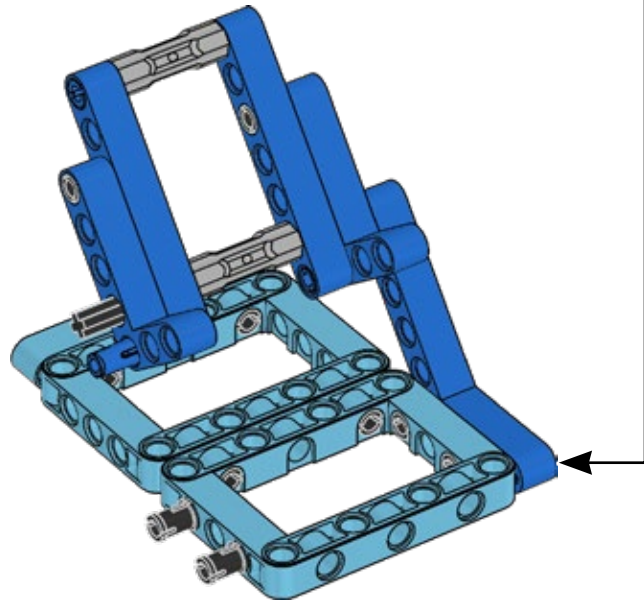


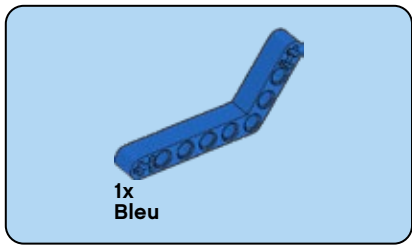


15

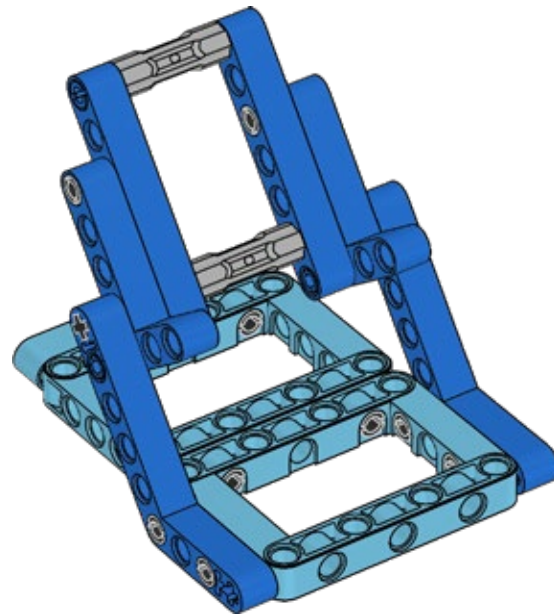


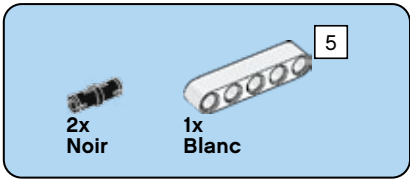
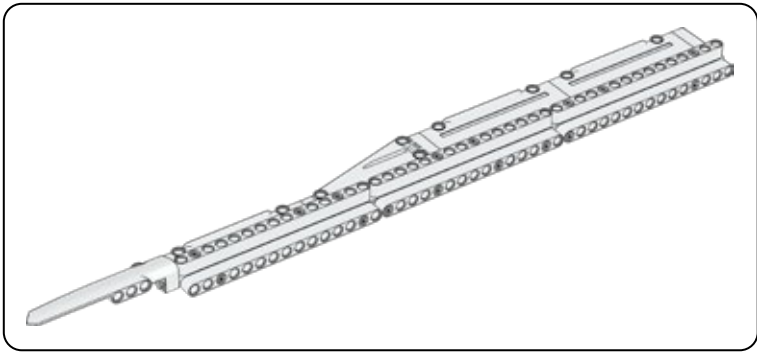
16



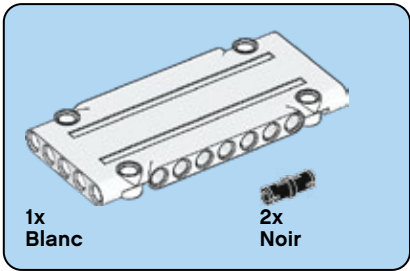
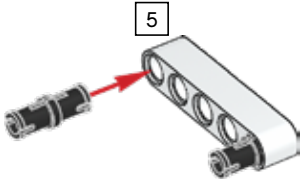


17

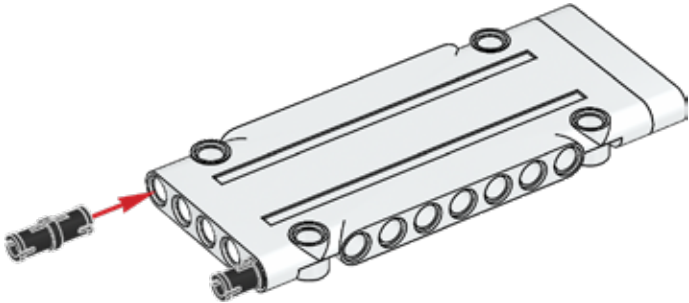


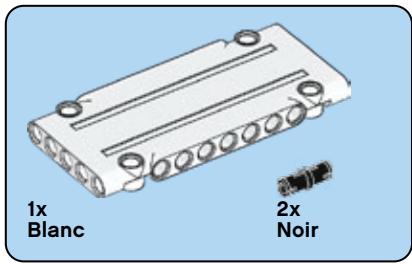


18

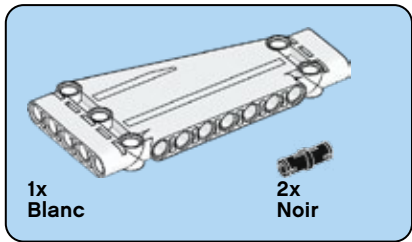
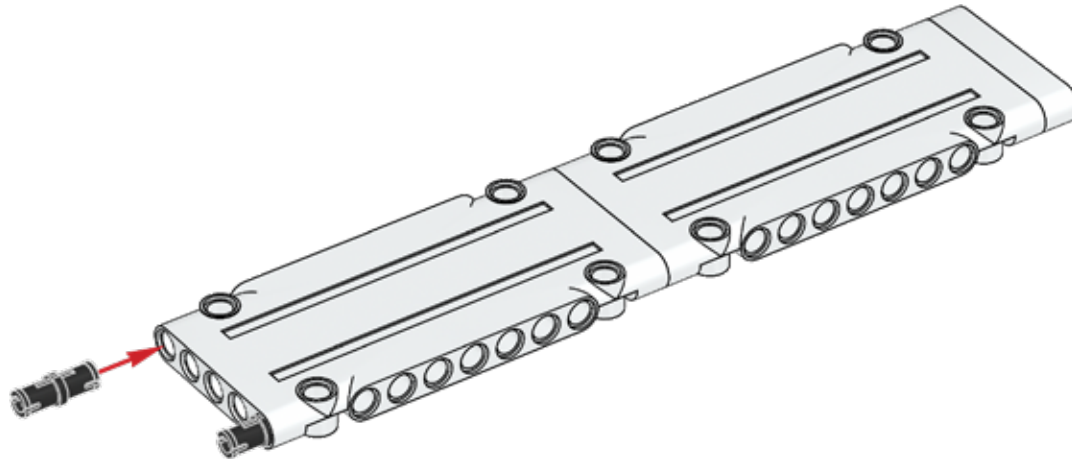


19

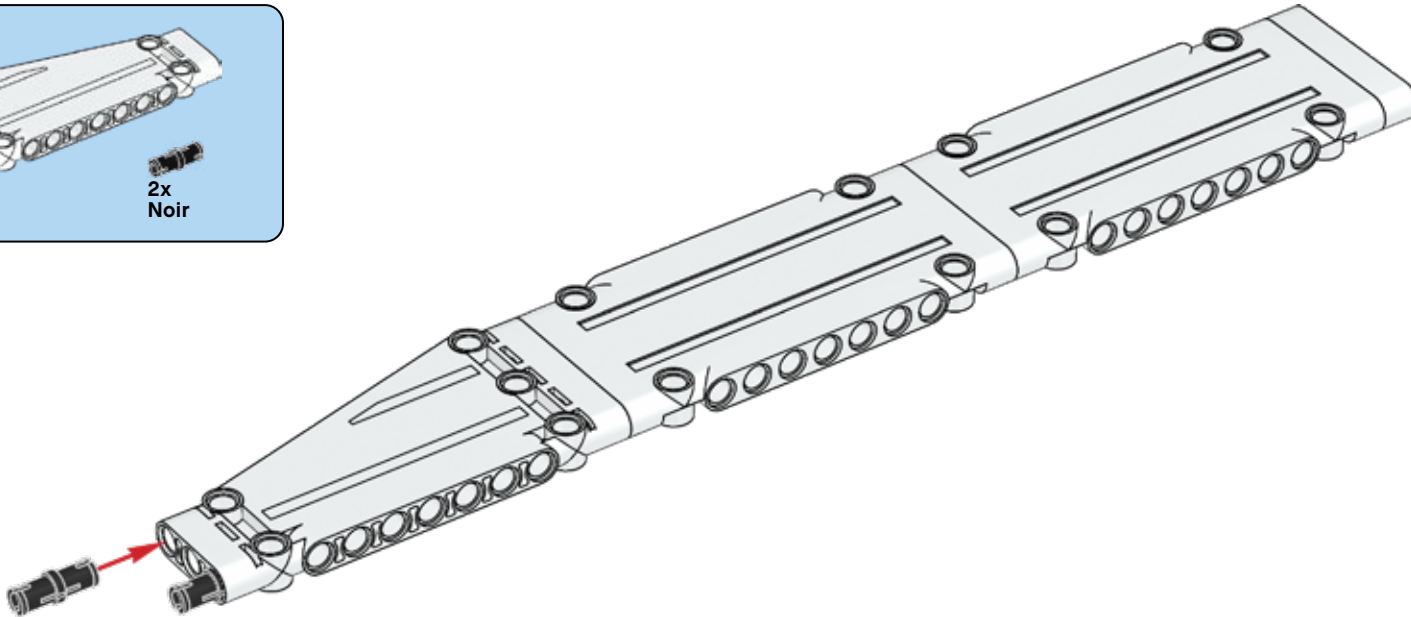


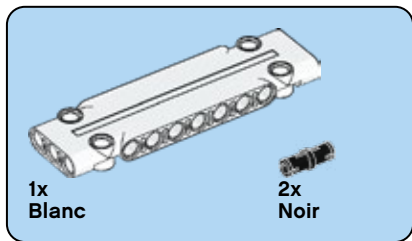


20

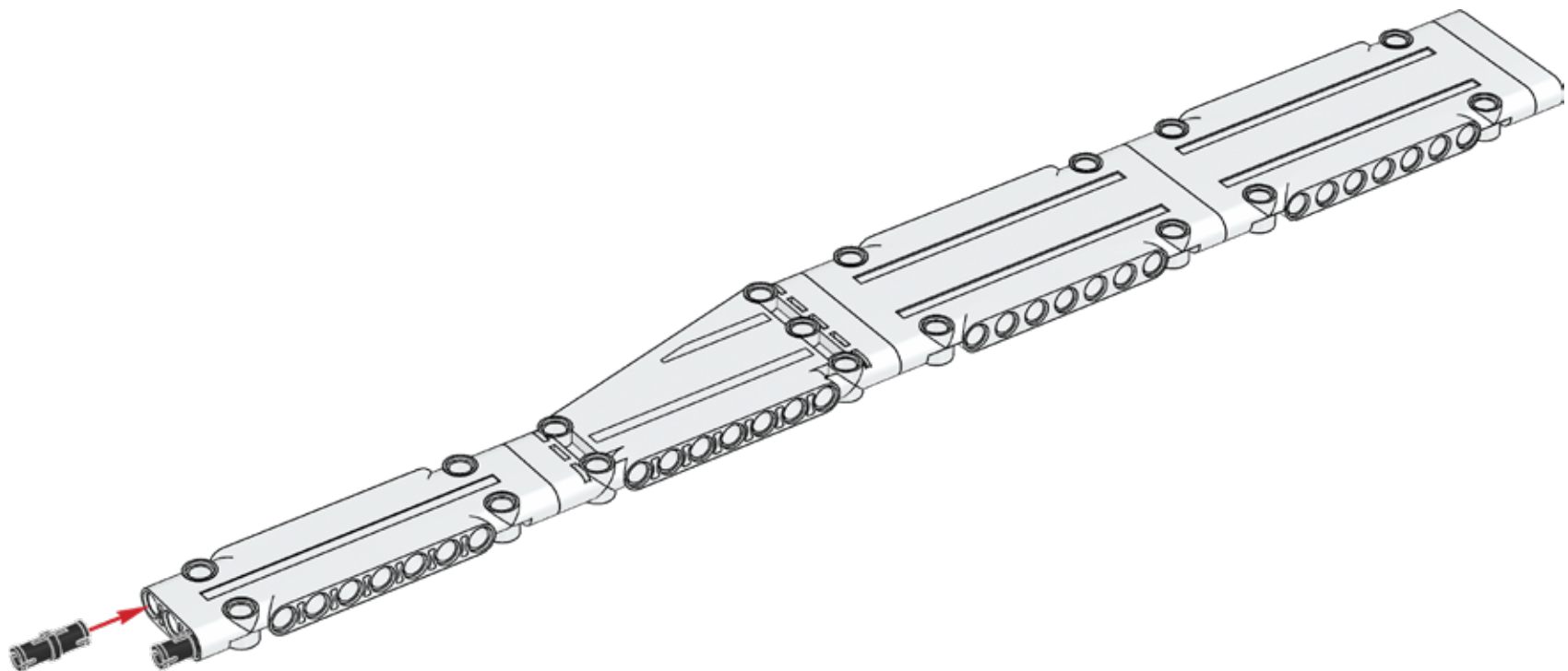


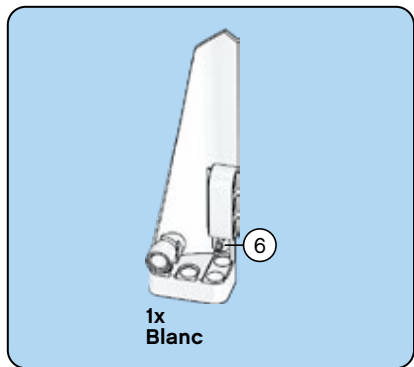
21



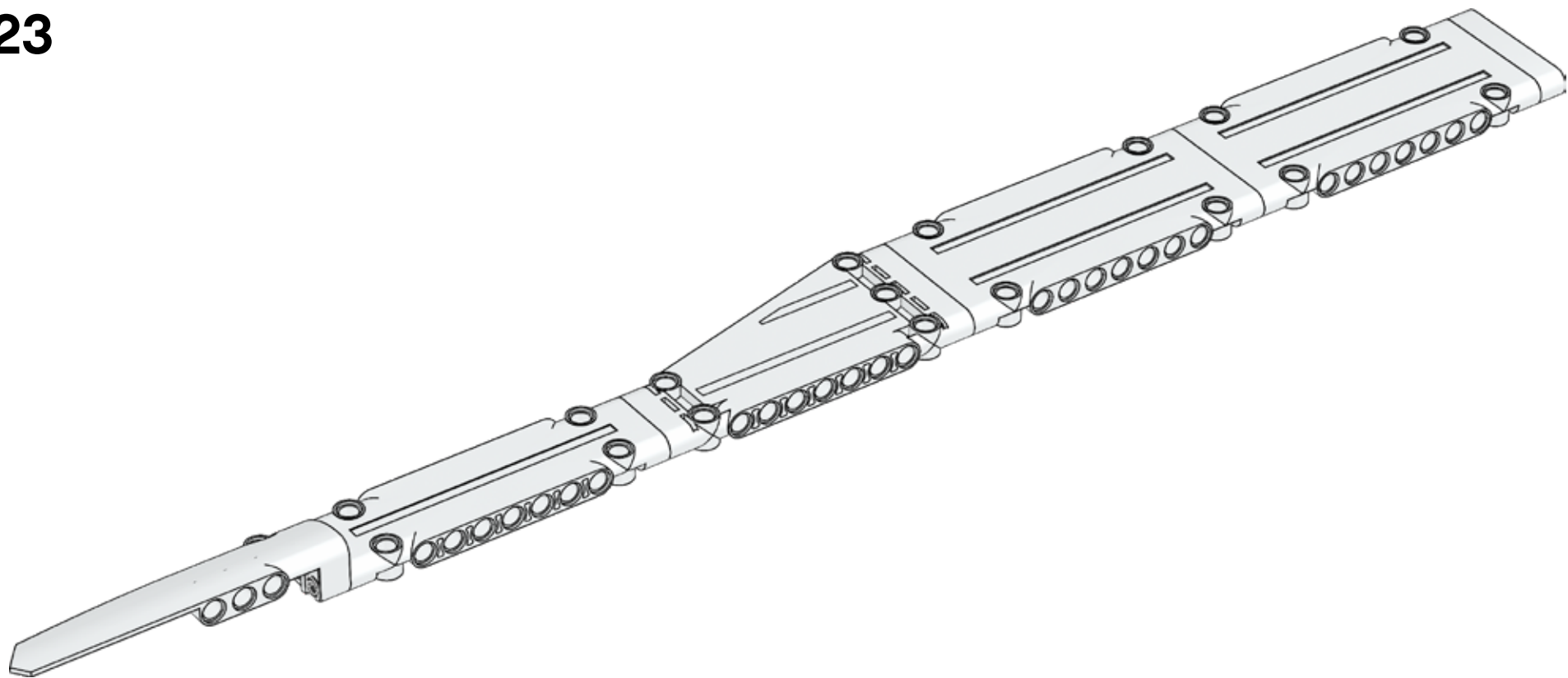


22





23

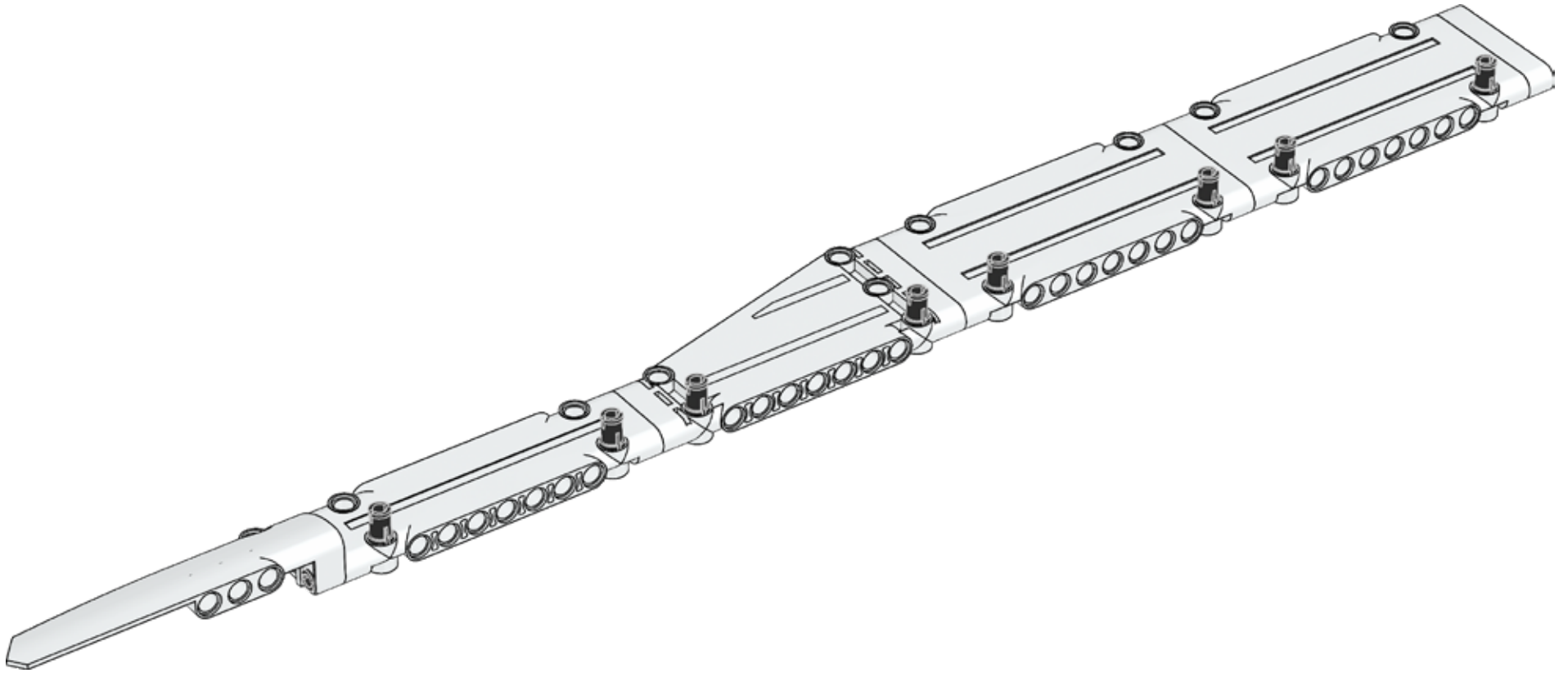


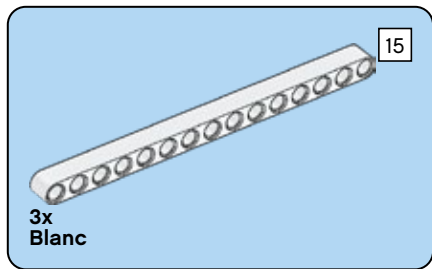


8x
Noir

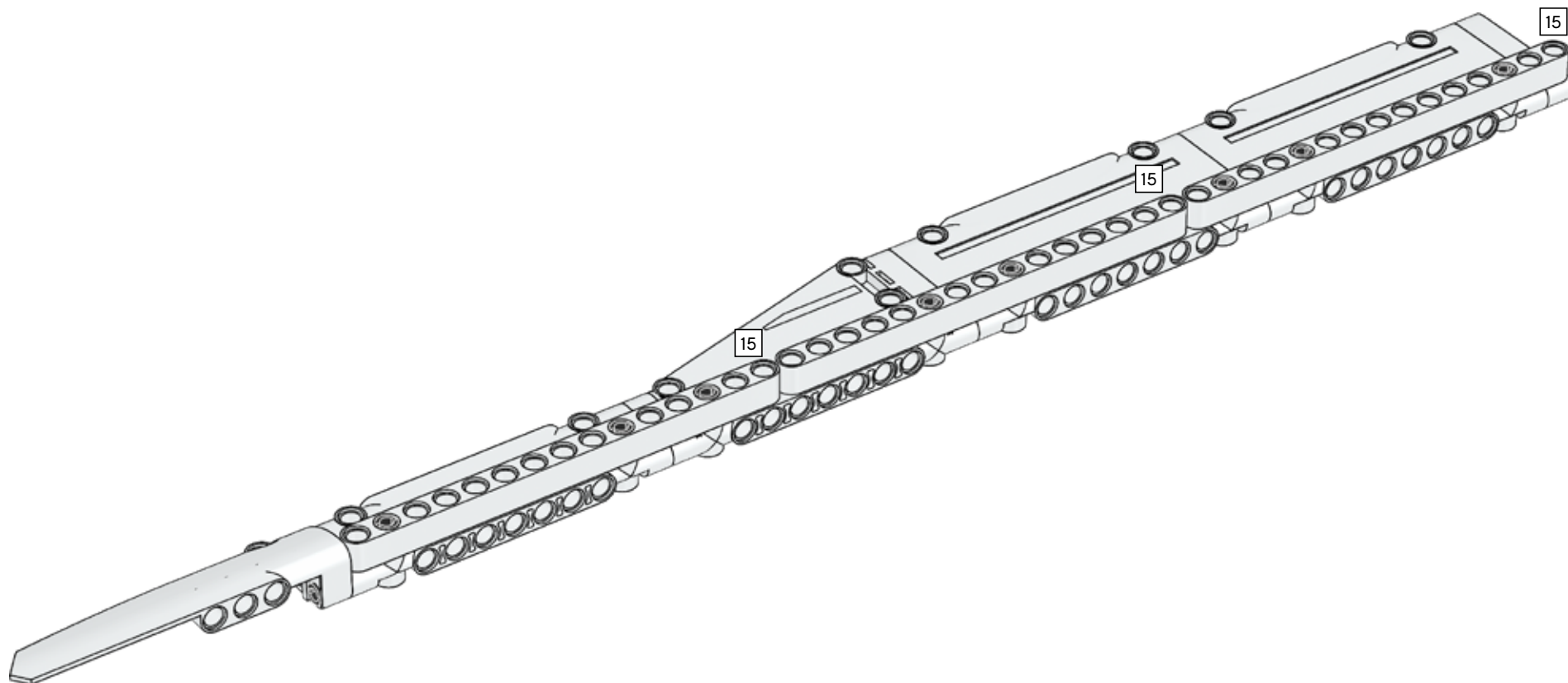


24





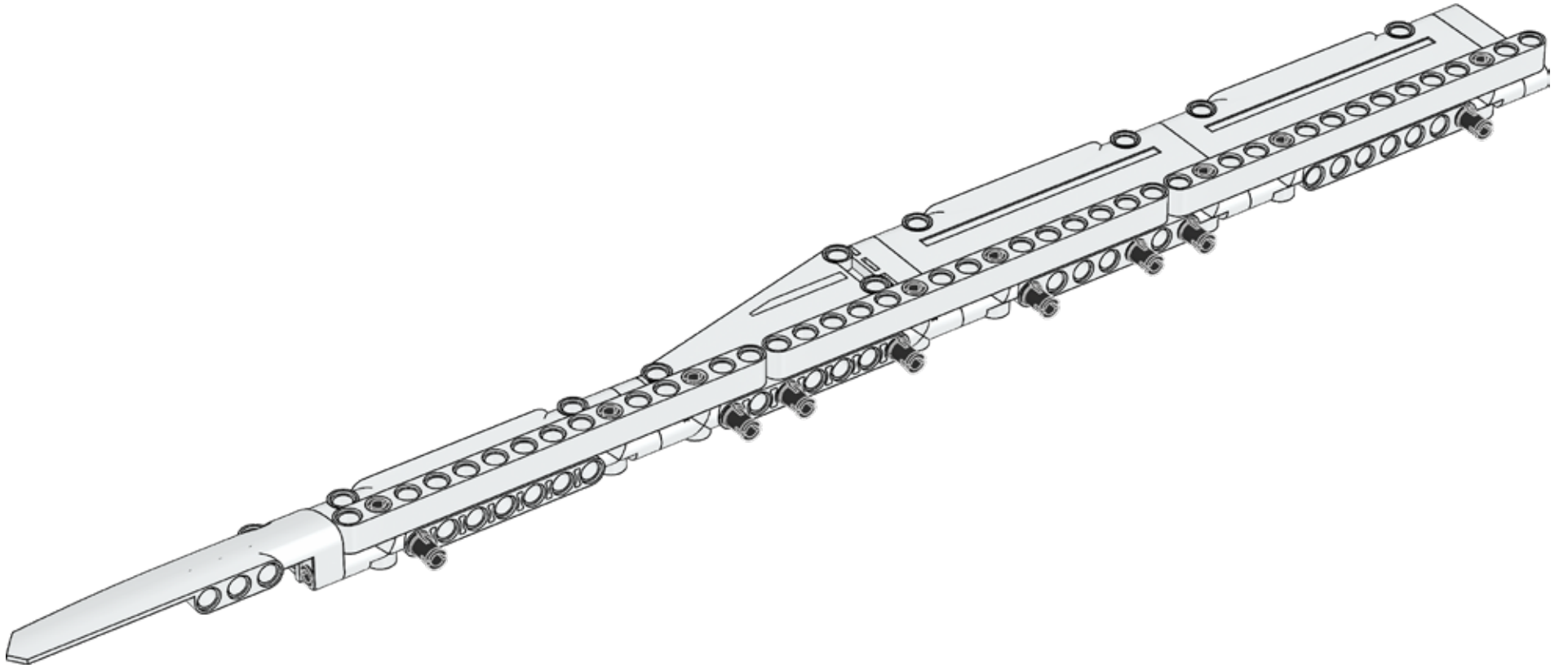
25

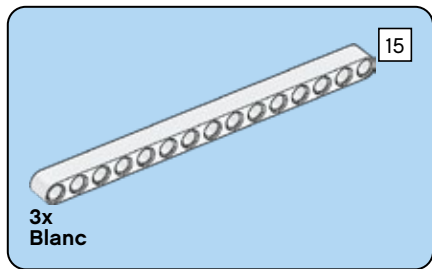


8x
Noir

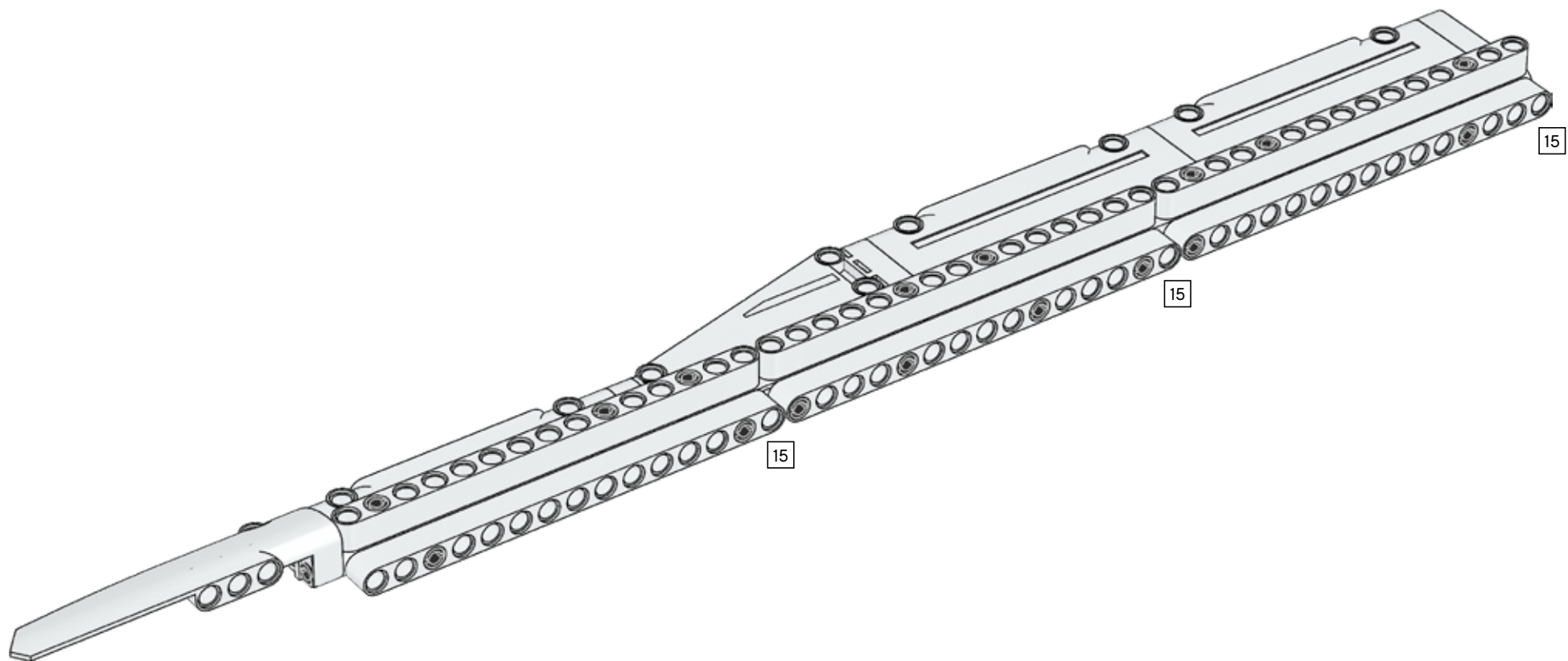


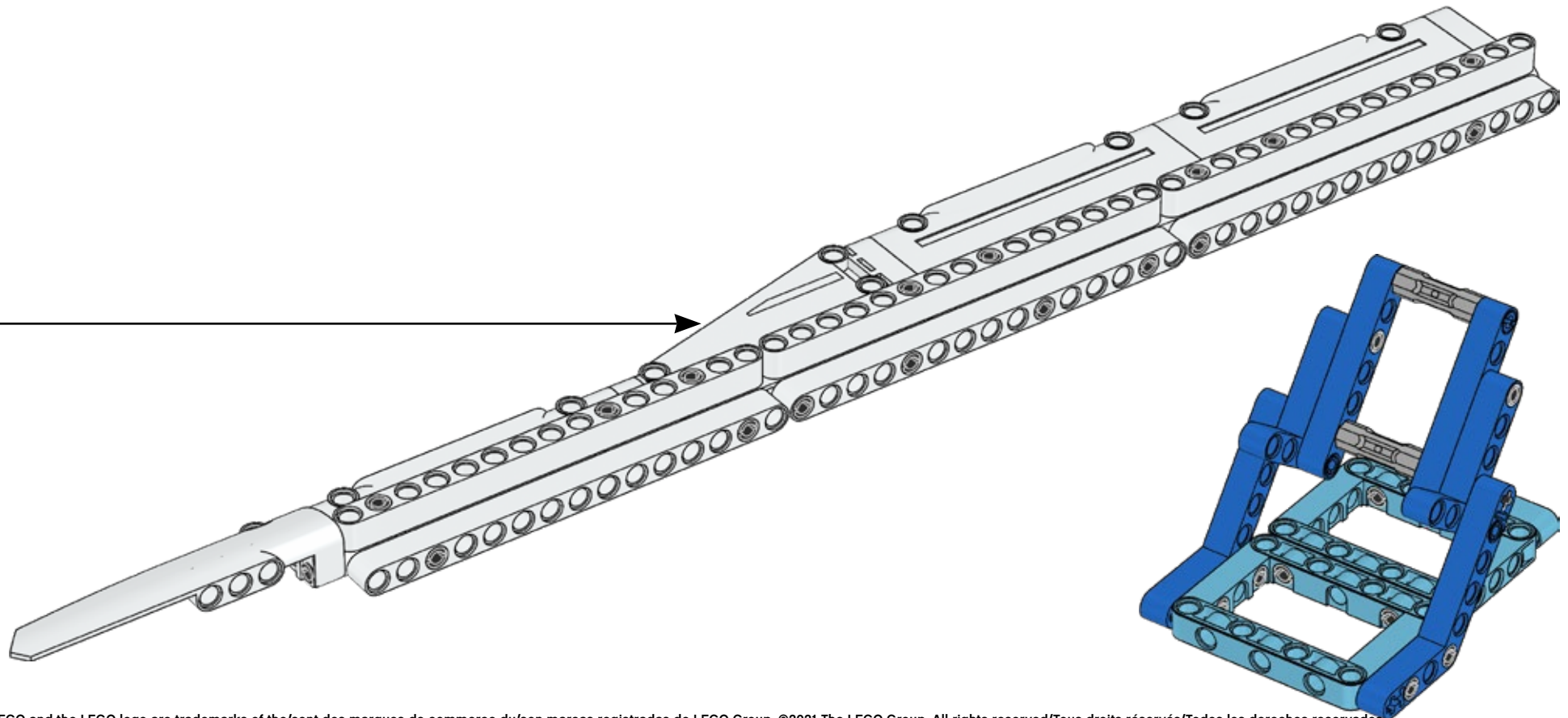
26





27





LEGO and the LEGO logo are trademarks of the/son des marques de commerce du/son marcas registradas de LEGO Group. ©2021 The LEGO Group. All rights reserved/Tous droits réservés/Todos los derechos reservados.

FIRST® is a registered trademark of For Inspiration and Recognition of Science and Technology (FIRST). LEGO® is a registered trademark of the LEGO Group. FIRST® LEGO® League and CARGO CONNECT™ are jointly held trademarks of FIRST and the LEGO Group.

©2021 FIRST and the LEGO Group. All rights reserved.