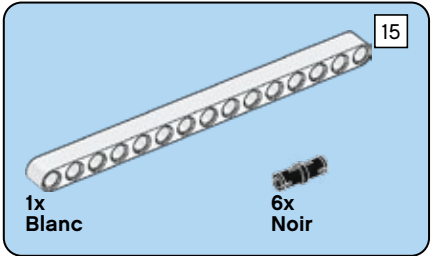
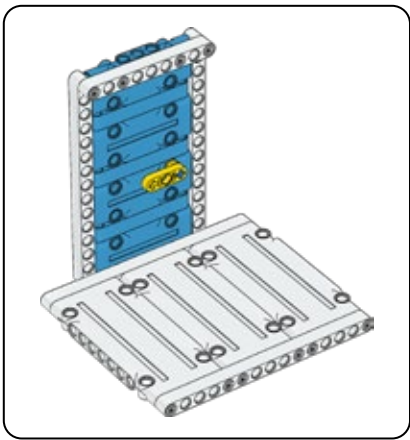
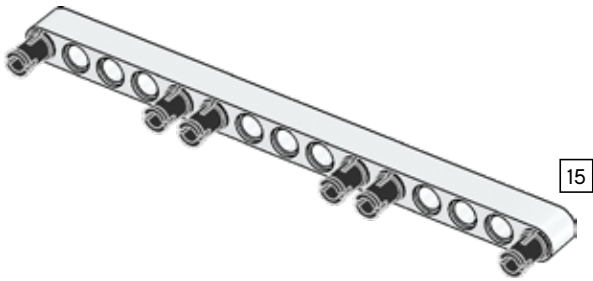


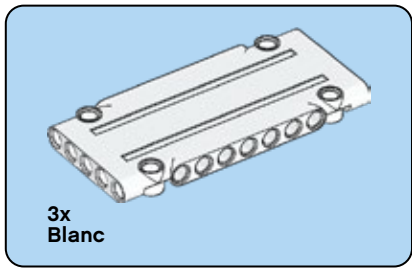
45816



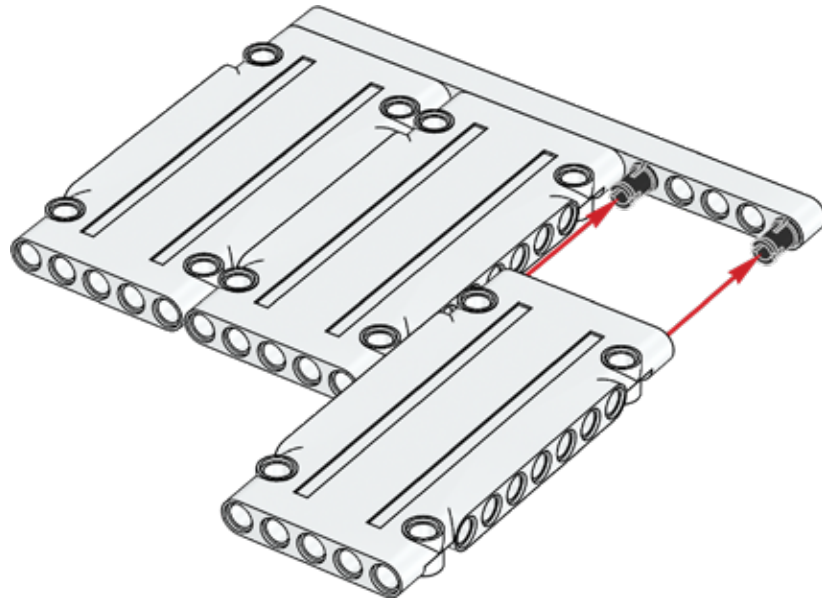


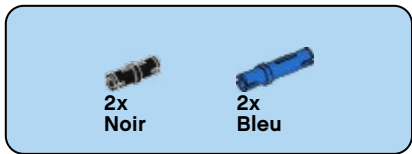
1



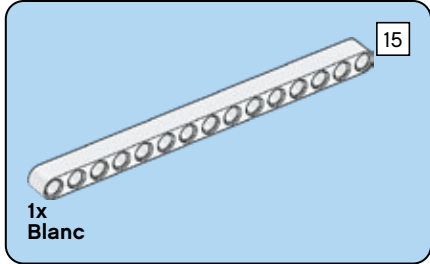
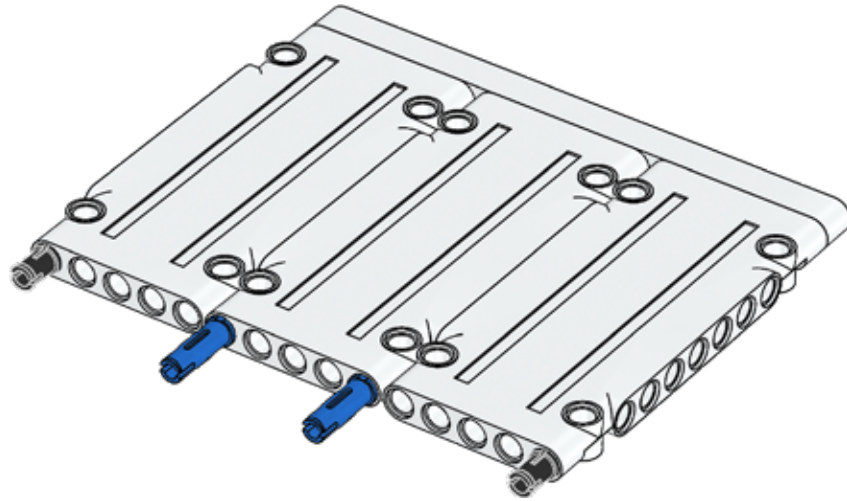


2

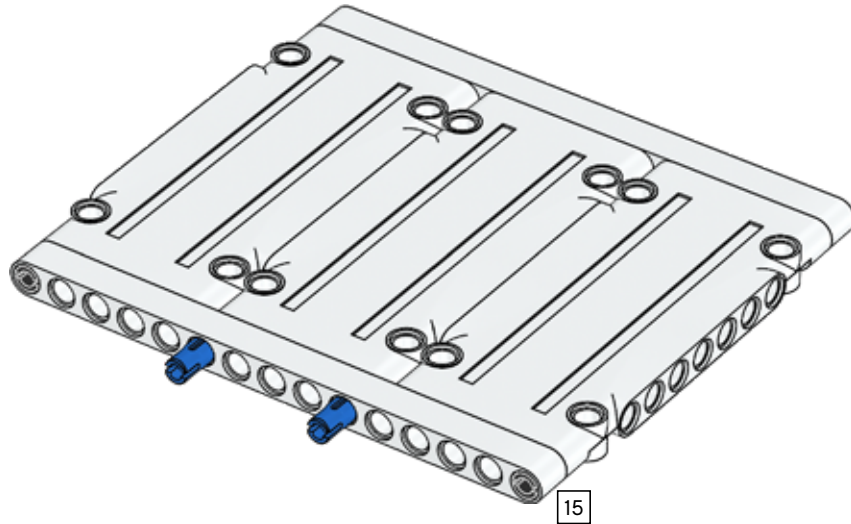


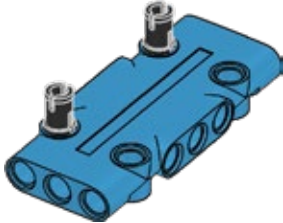
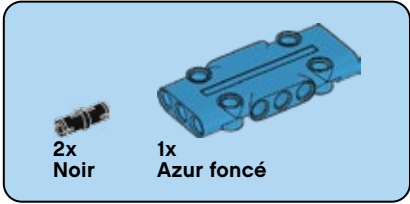
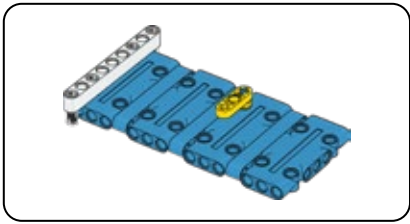


3

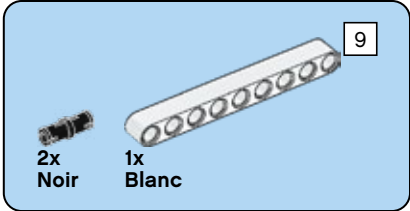


4

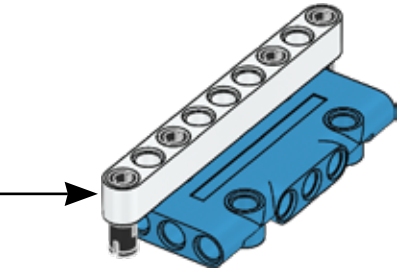
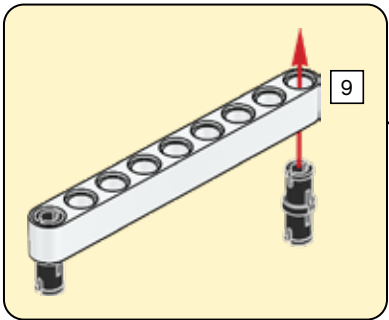




5

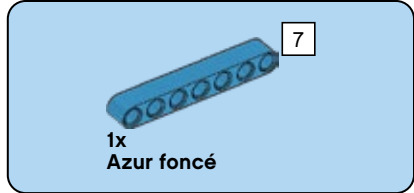
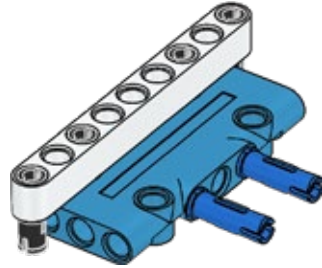


6

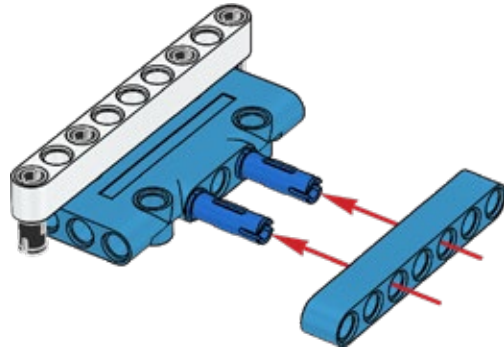


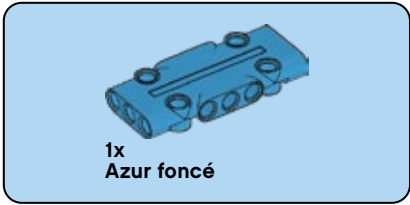


7



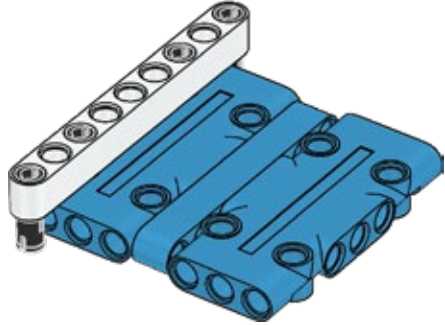
8





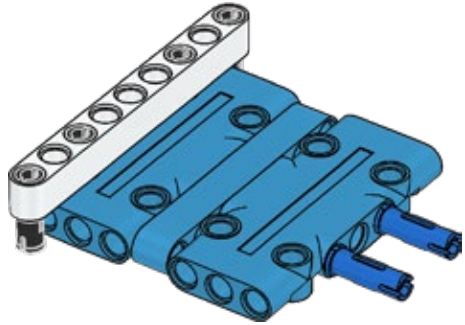
1x
Azur foncé

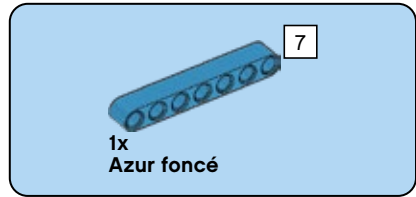
9



2x
Bleu

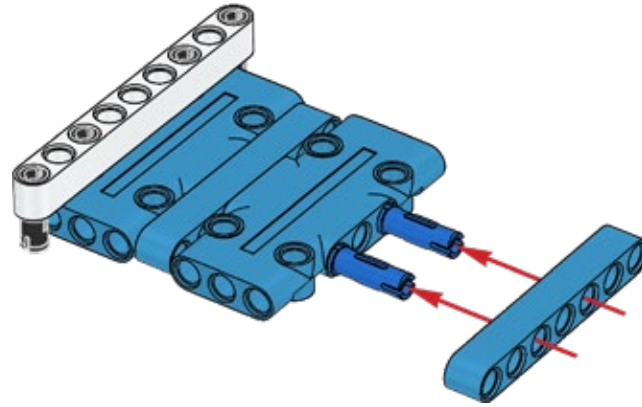
10





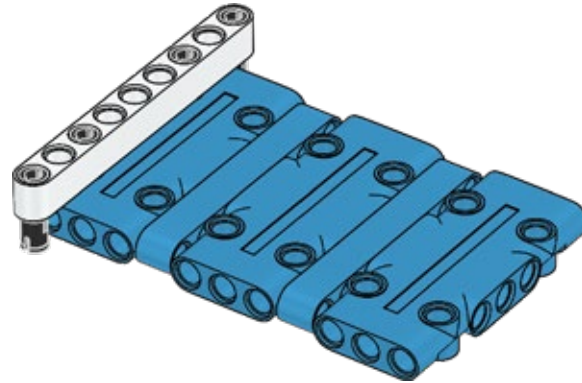
1x
Azur foncé

11



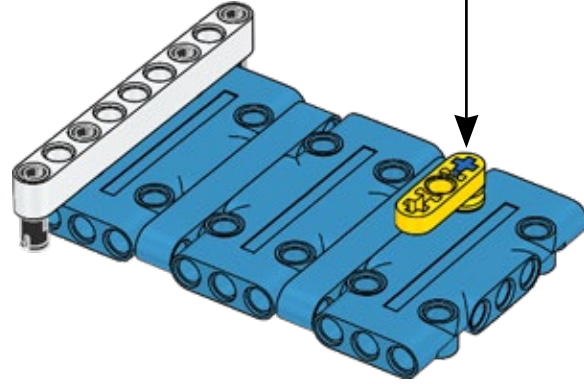
1x
Azur foncé

12





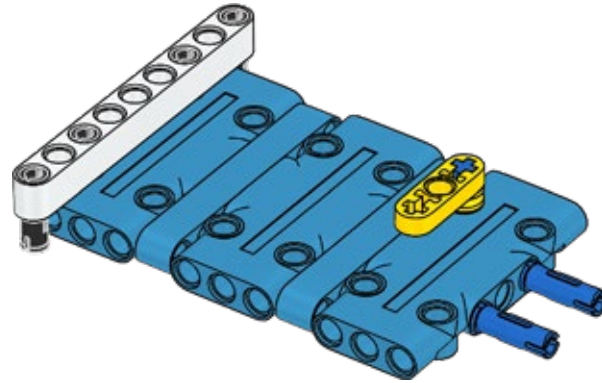
13

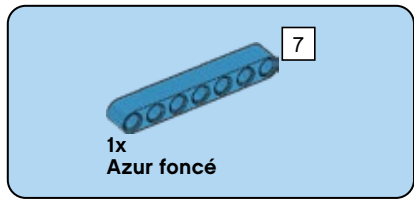


4



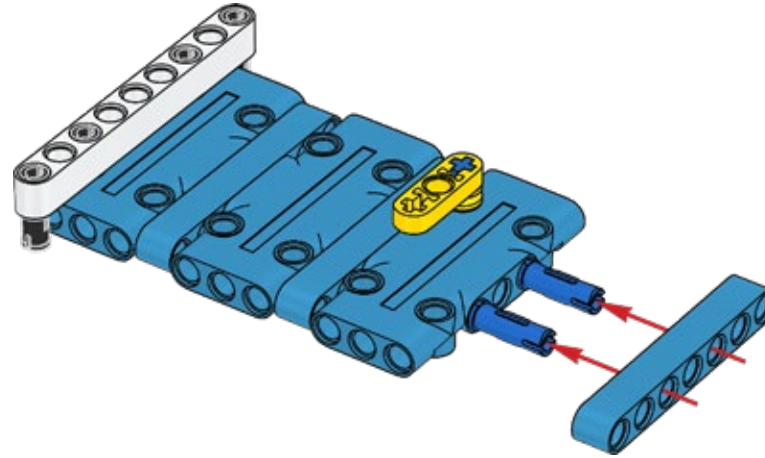
14





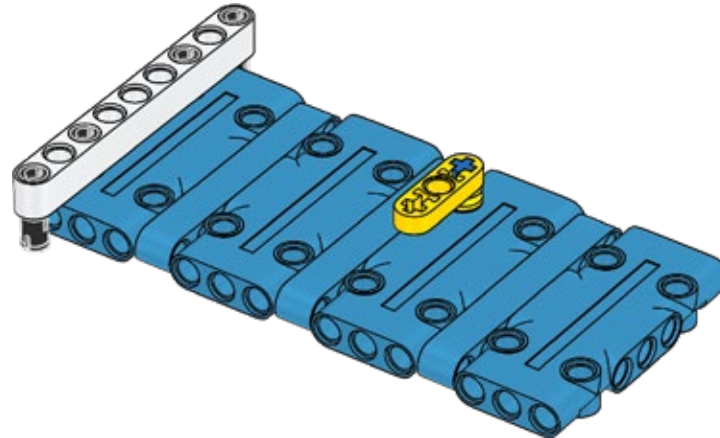
1x
Azur foncé

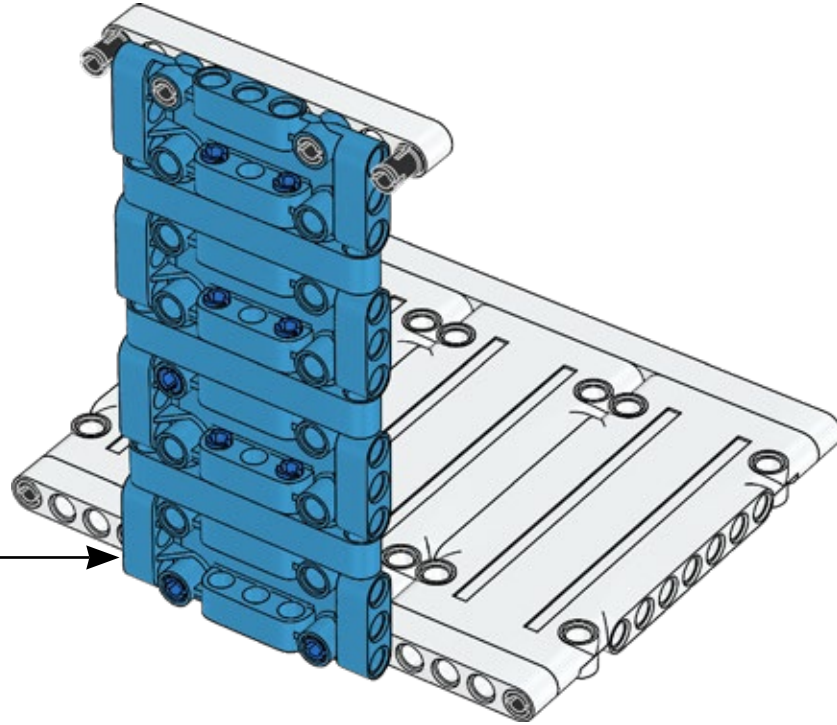
15



1x
Azur foncé

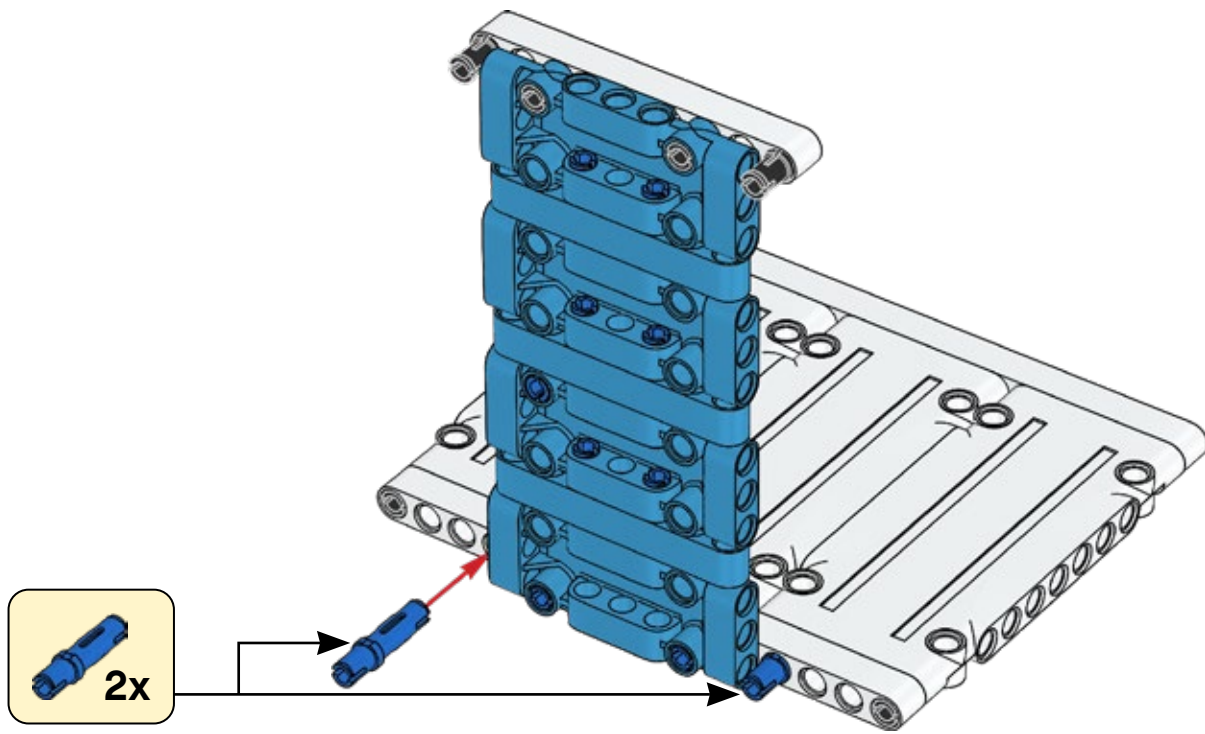
16

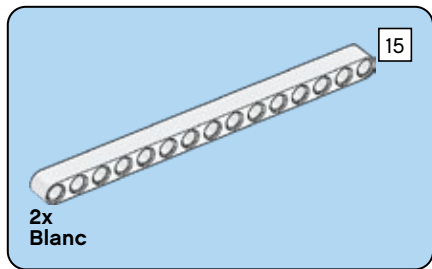




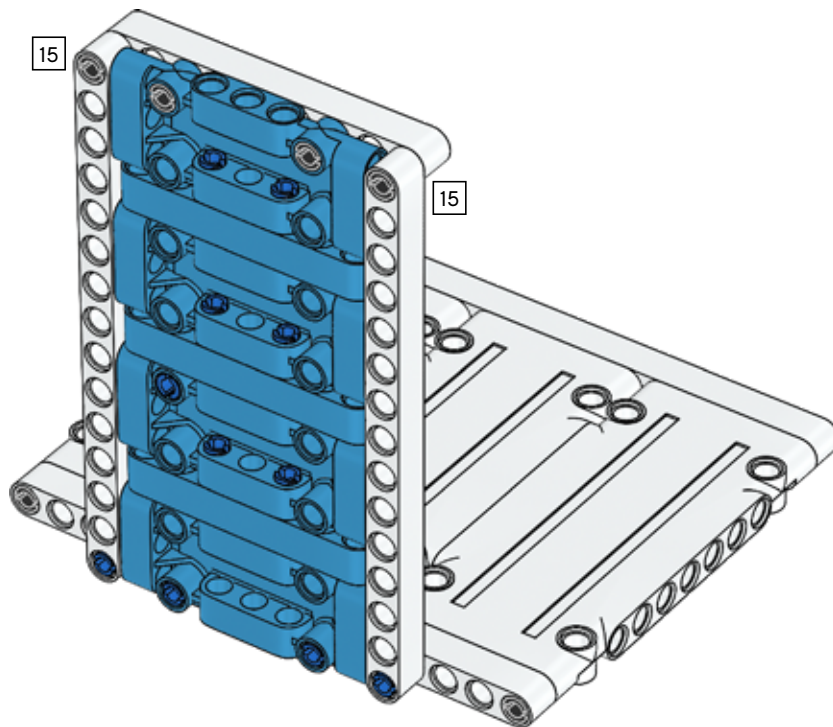


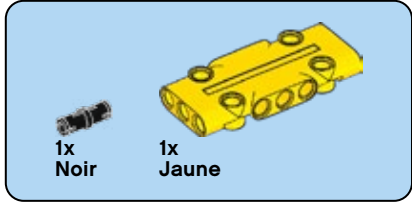
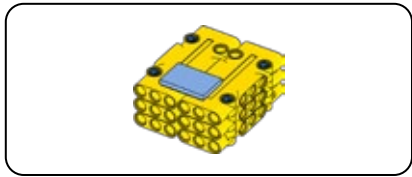
18



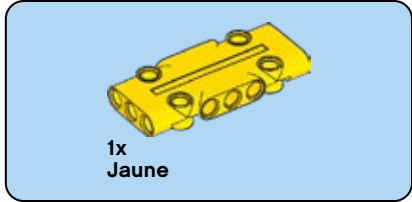
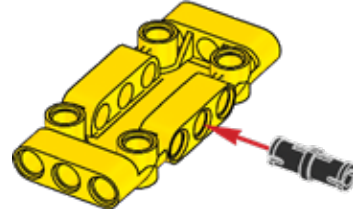


19

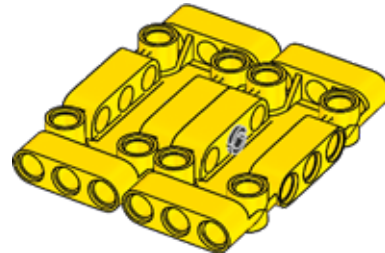




20



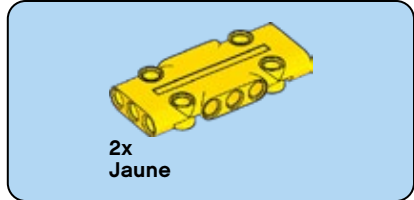
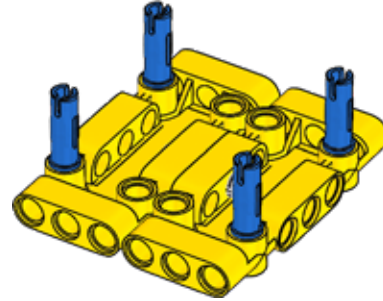
21





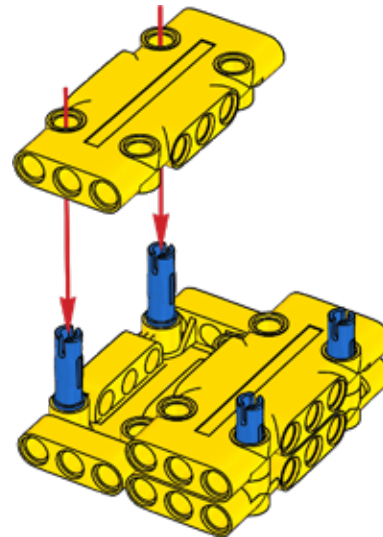
4x
Bleu

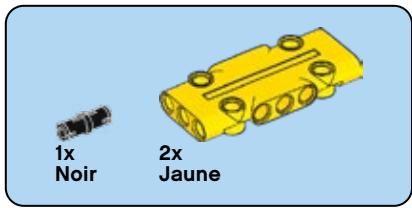
22



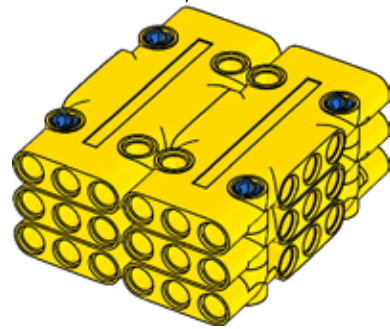
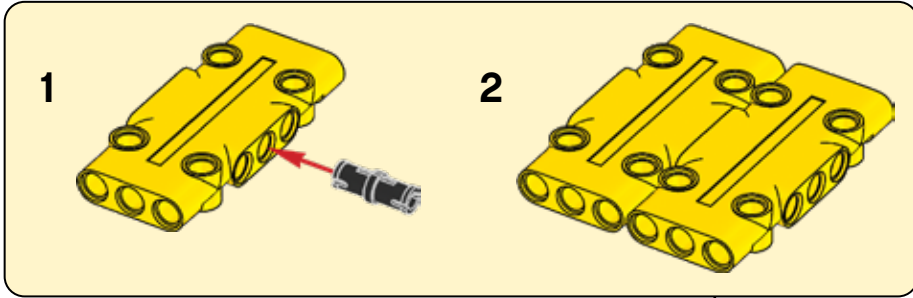
2x
Jaune

23



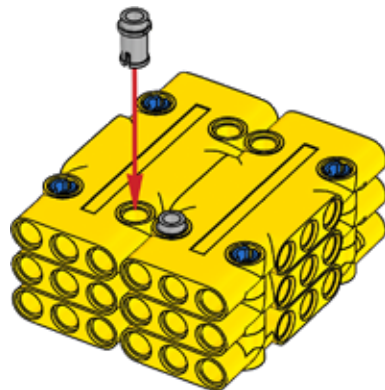


24



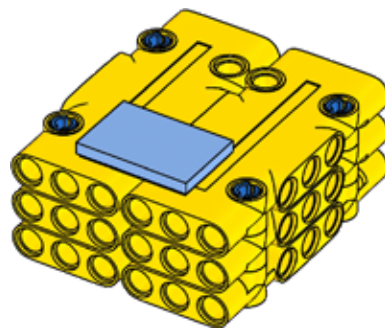
2x
Gris

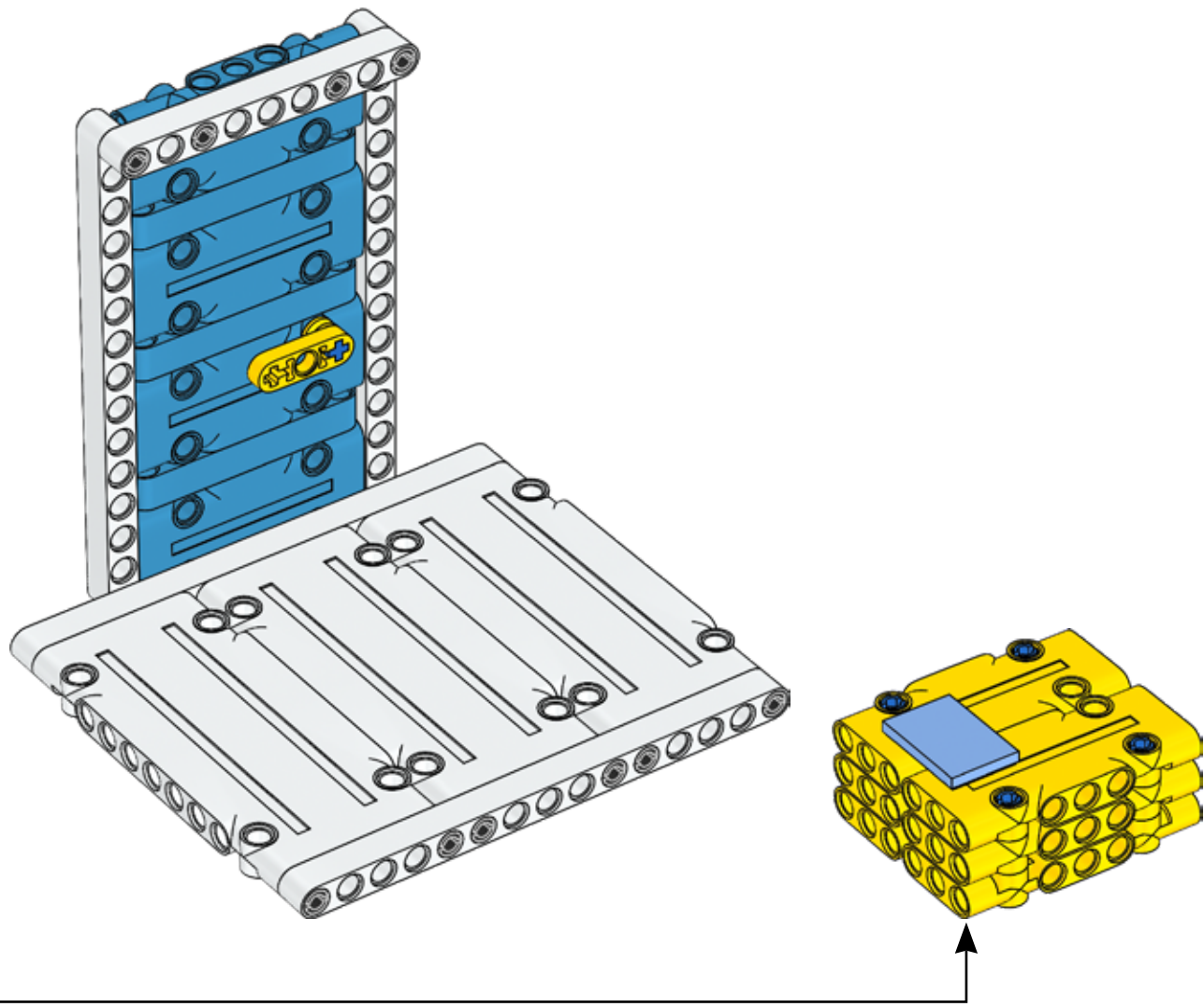
25



1x
Bleu moyen

26





LEGO and the LEGO logo are trademarks of the/son des marques de commerce du/son marcas registradas de LEGO Group. ©2021 The LEGO Group. All rights reserved/Tous droits réservés/Todos los derechos reservados.

FIRST® is a registered trademark of For Inspiration and Recognition of Science and Technology (FIRST). LEGO® is a registered trademark of the LEGO Group. FIRST® LEGO® League and CARGO CONNECT™ are jointly held trademarks of FIRST and the LEGO Group.

©2021 FIRST and the LEGO Group. All rights reserved.