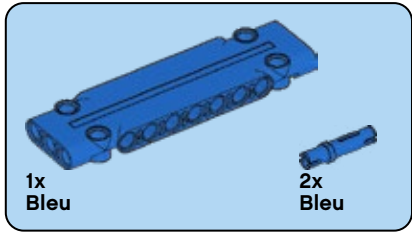
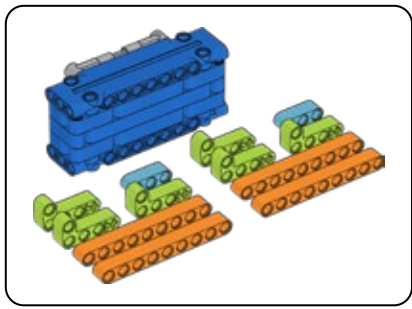
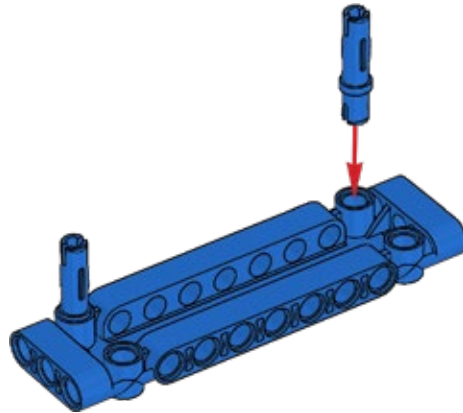


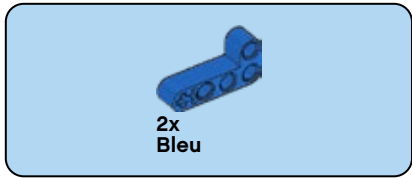
45816



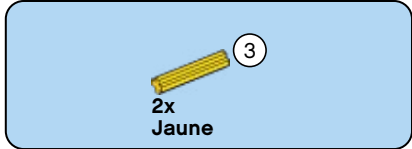
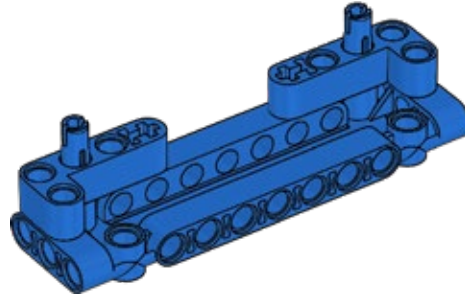


1

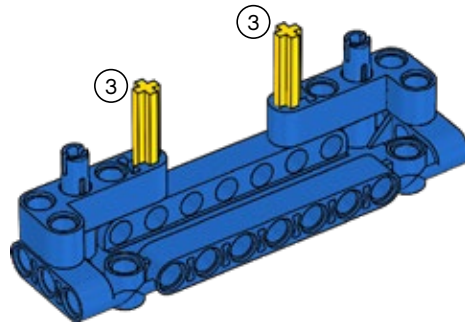


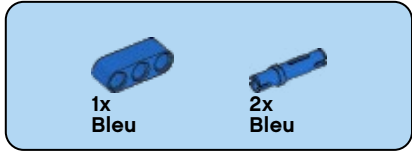
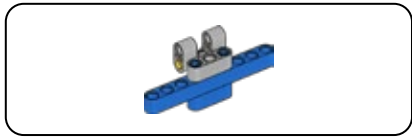


2

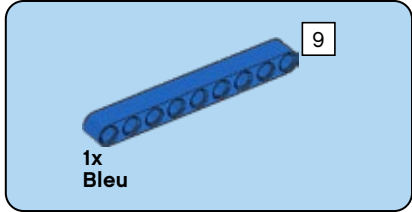
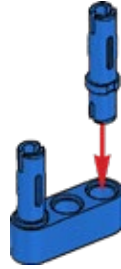


3

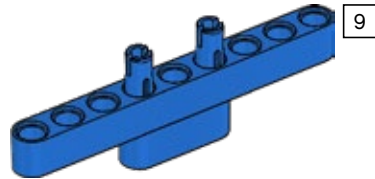




4

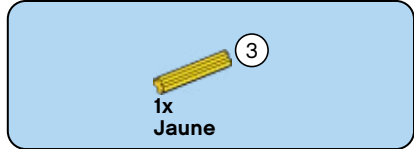
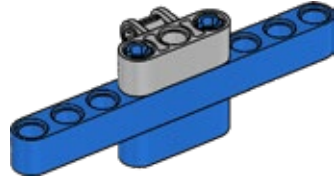


5

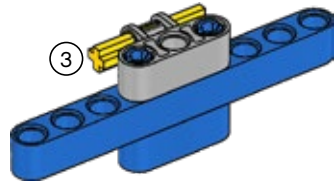




6



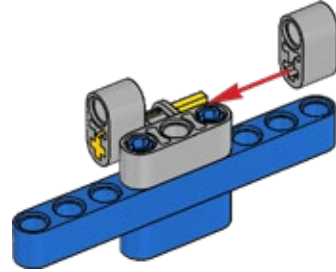
7



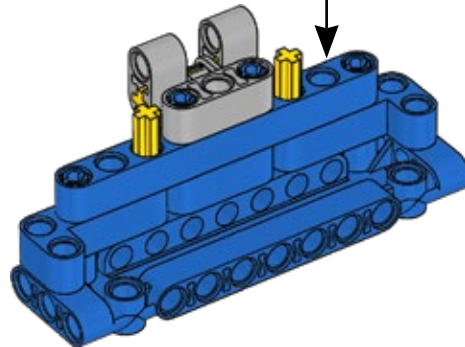


2x  
Gris

8

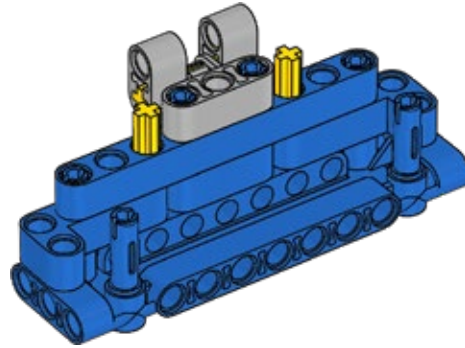


9

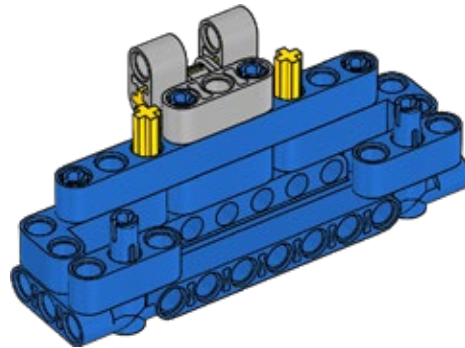




10



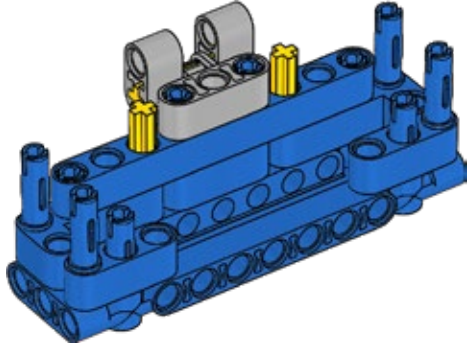
11





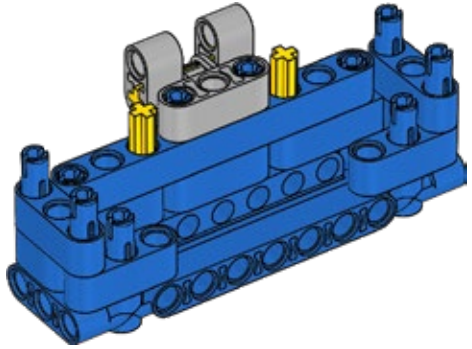
4x  
Bleu

12

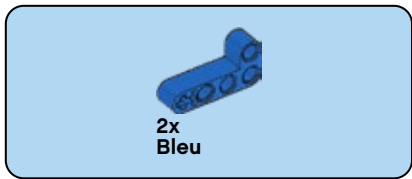


2x  
Bleu

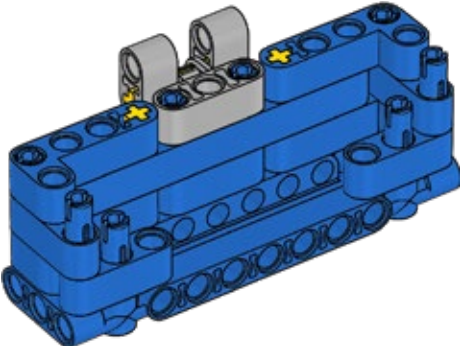
13







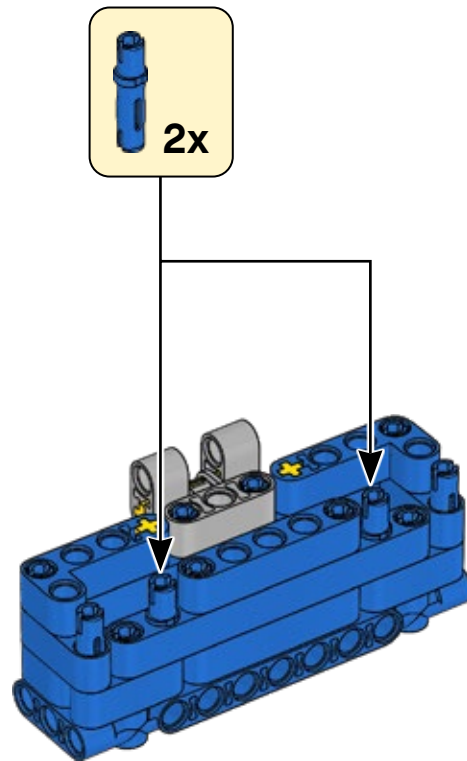
14





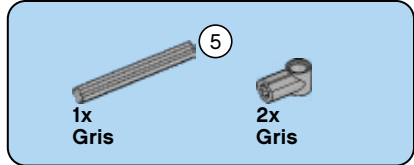
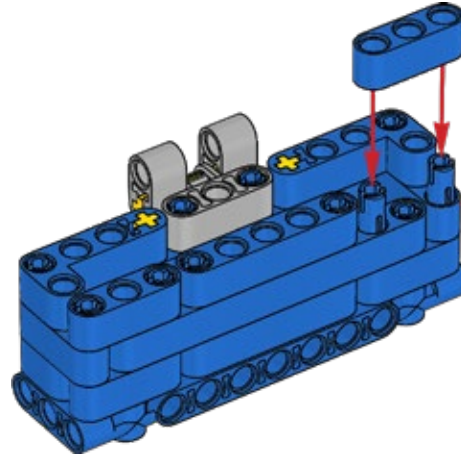


16

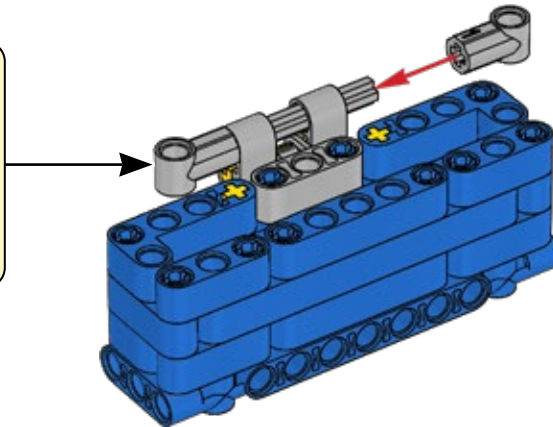
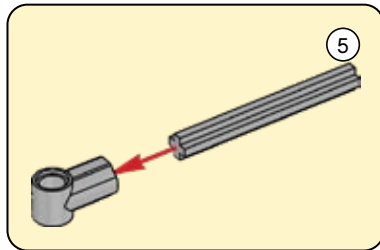




17

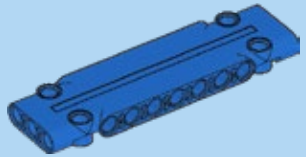
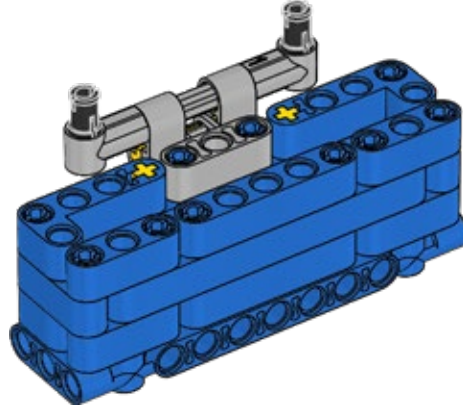


18



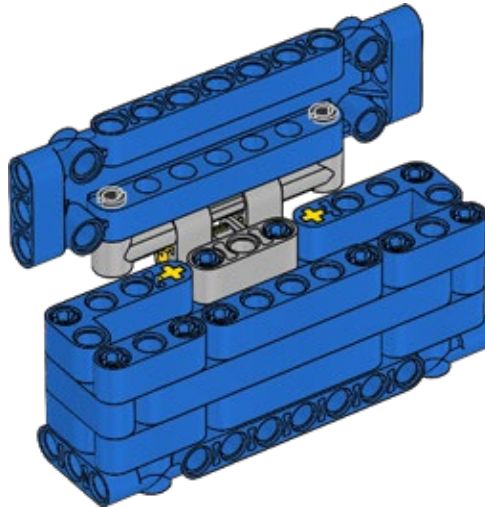
2x  
Noir

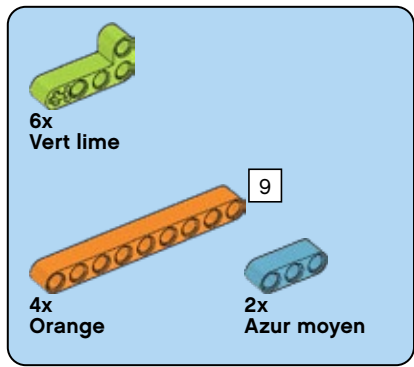
19



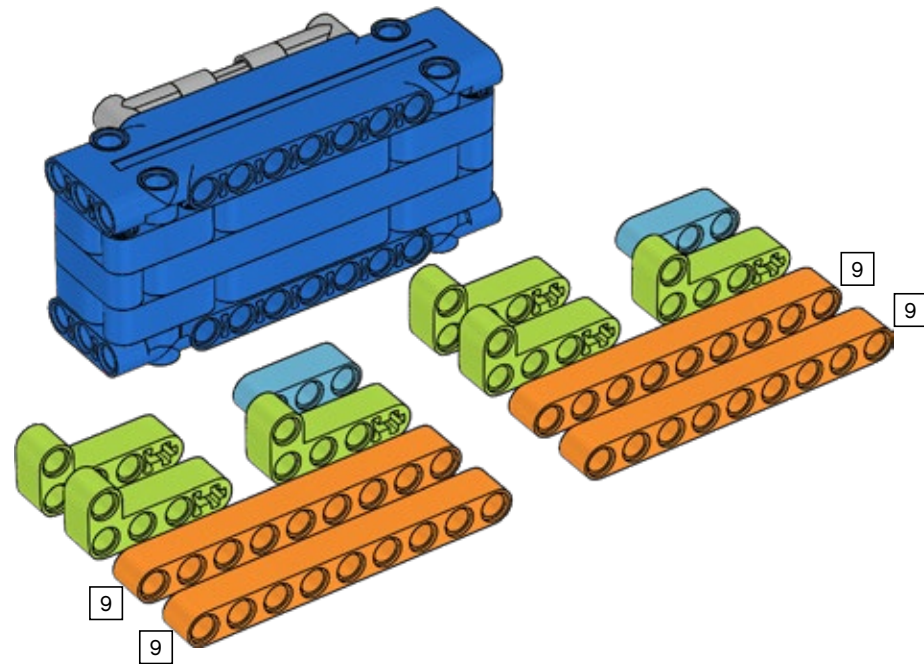
1x  
Bleu

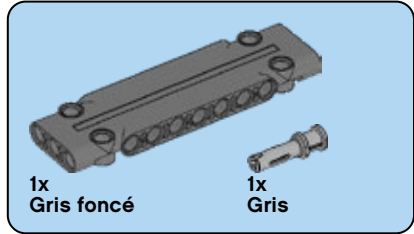
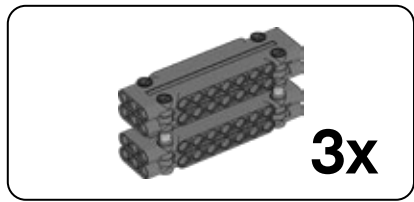
20



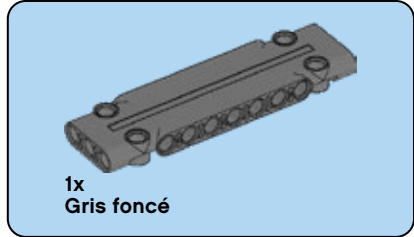
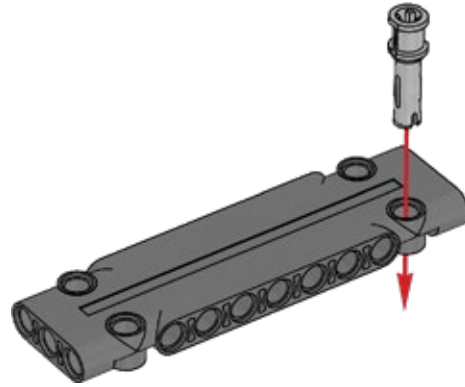


21

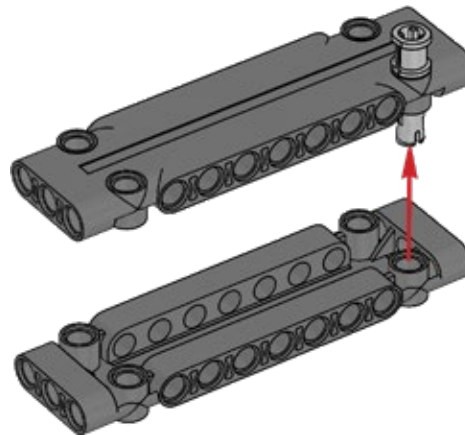


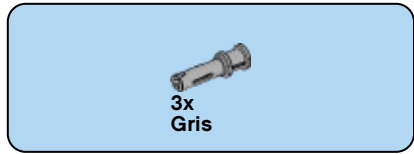


**22**



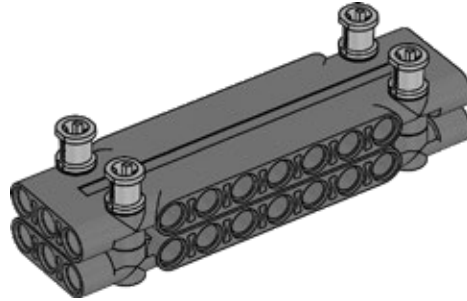
**23**





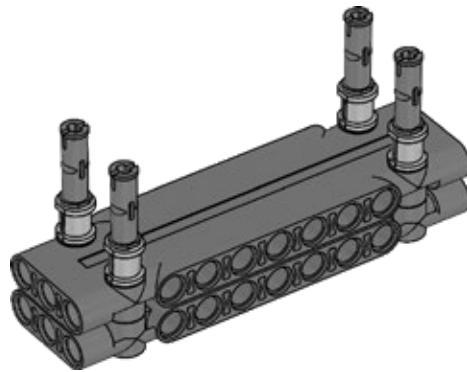
3x  
Gris

24

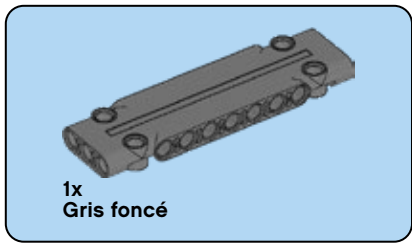


4x  
Gris foncé

25

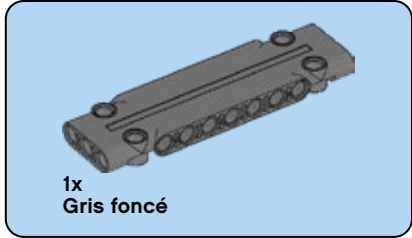
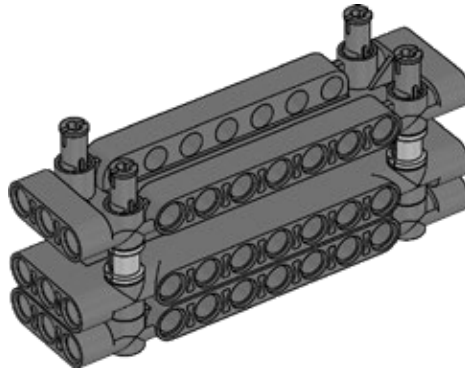






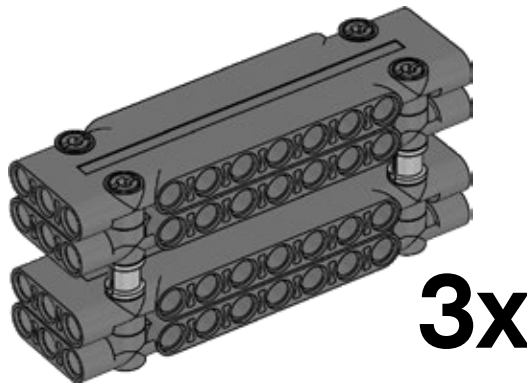
1x  
Gris foncé

**26**

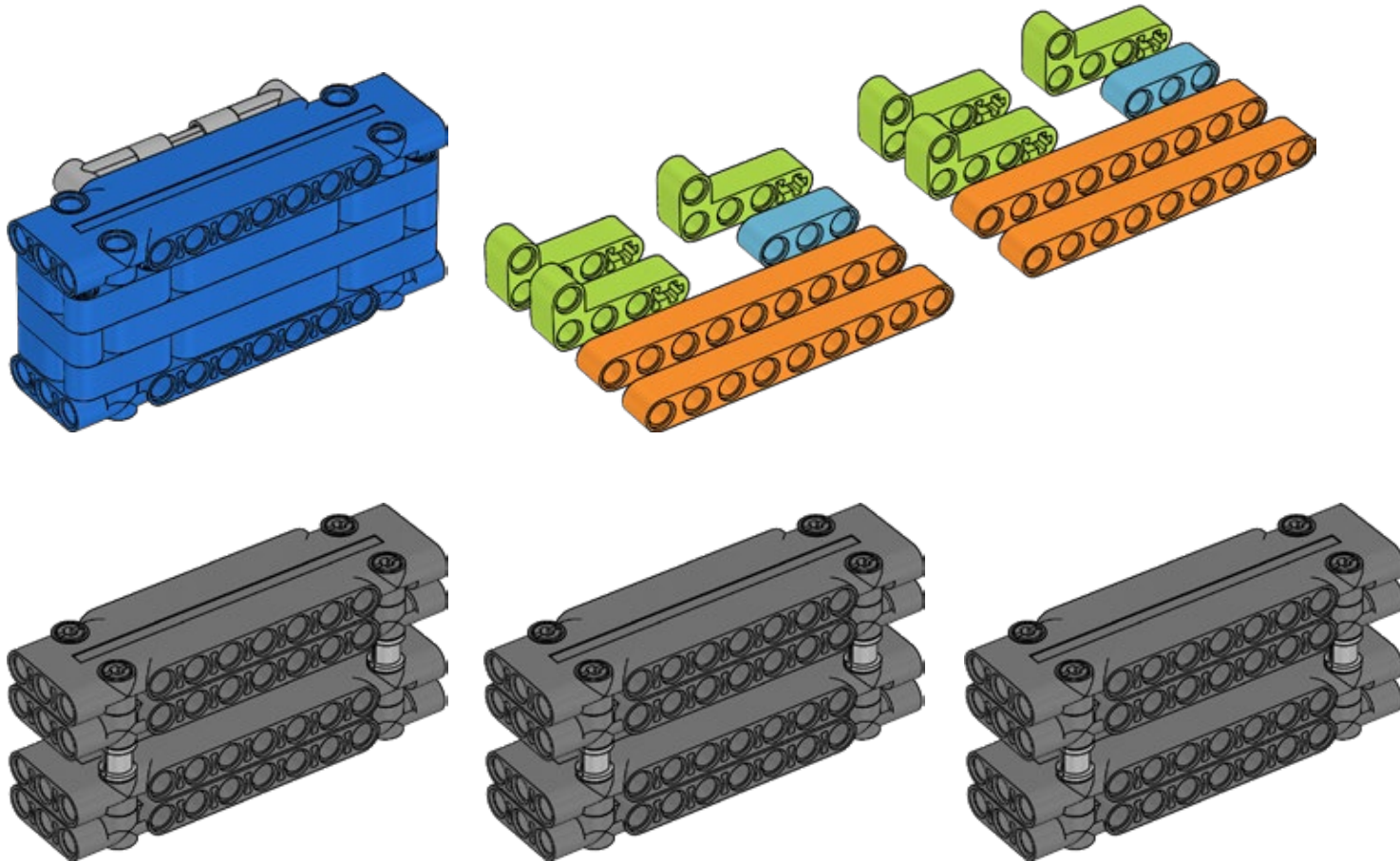


1x  
Gris foncé

**27**



**3x**



LEGO and the LEGO logo are trademarks of the/son des marques de commerce du/son marcas registradas de LEGO Group. ©2021 The LEGO Group. All rights reserved/Tous droits réservés/Todos los derechos reservados.

FIRST® is a registered trademark of For Inspiration and Recognition of Science and Technology (FIRST). LEGO® is a registered trademark of the LEGO Group. FIRST® LEGO® League and CARGO CONNECT™ are jointly held trademarks of FIRST and the LEGO Group.

©2021 FIRST and the LEGO Group. All rights reserved.