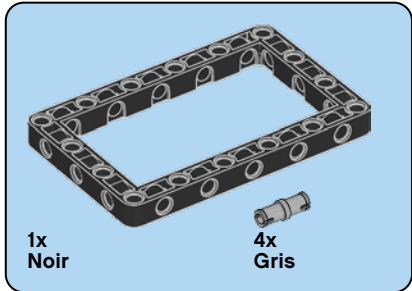
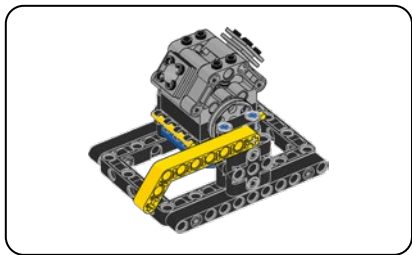
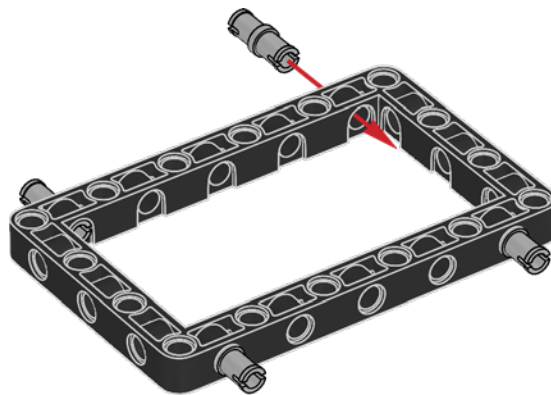
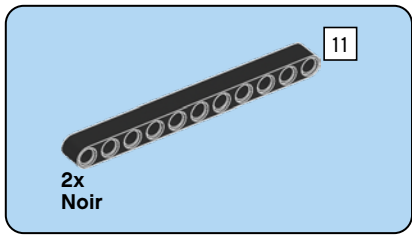


45816

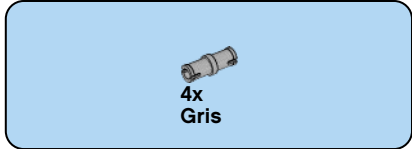
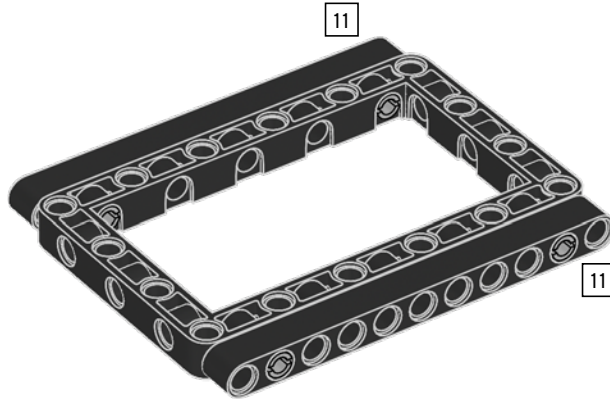


1

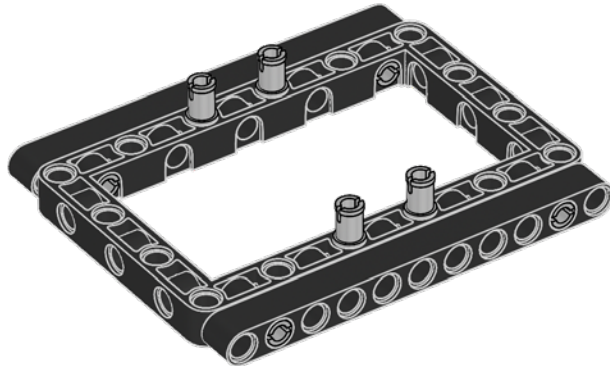


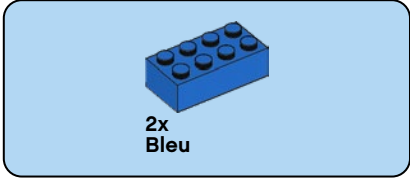
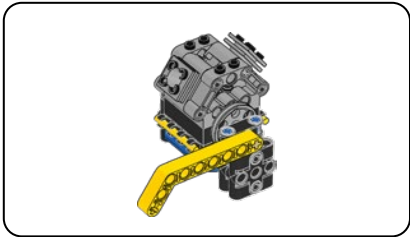


2

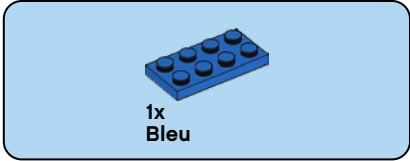
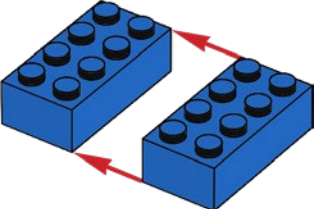


3

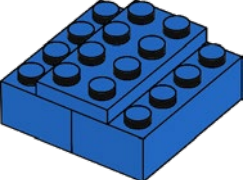




4



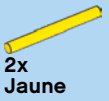
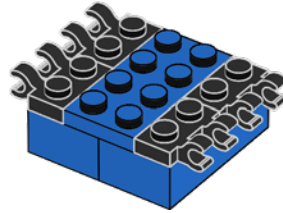
5





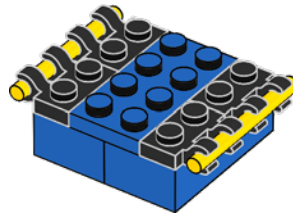
4x
Noir

6



2x
Jaune

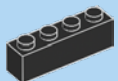
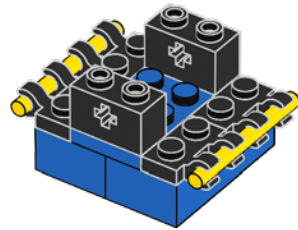
7





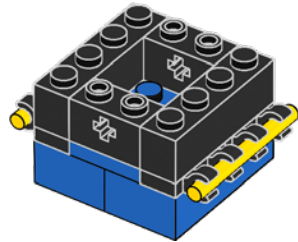
2x
Noir

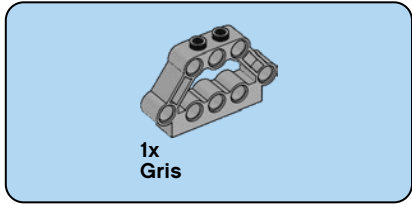
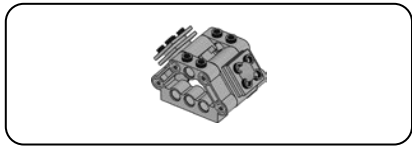
8



2x
Noir

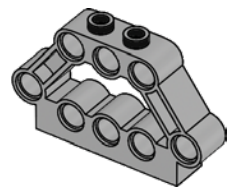
9

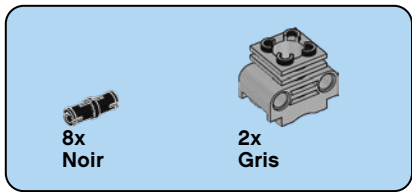




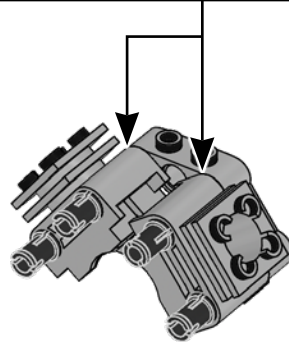
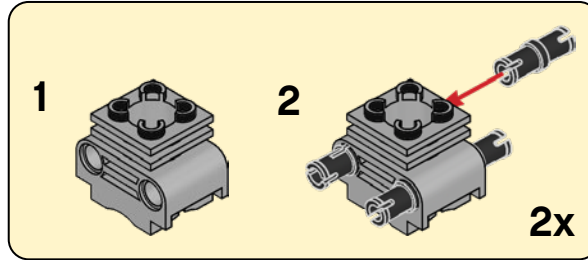
1x
Gris

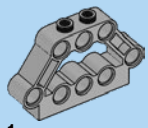
10





11

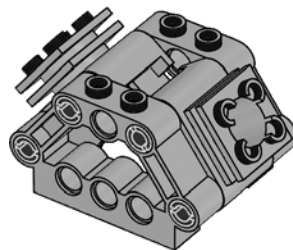




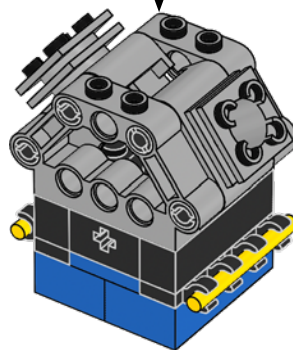
1x
Gris



12



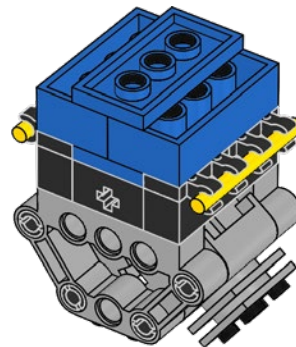
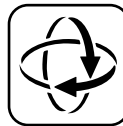
13





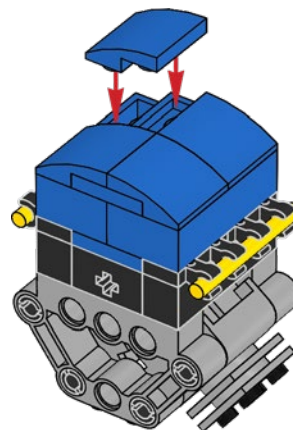
1x
Bleu

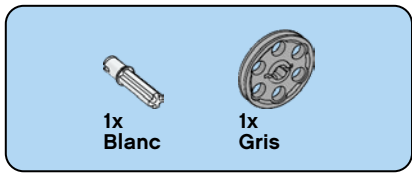
14



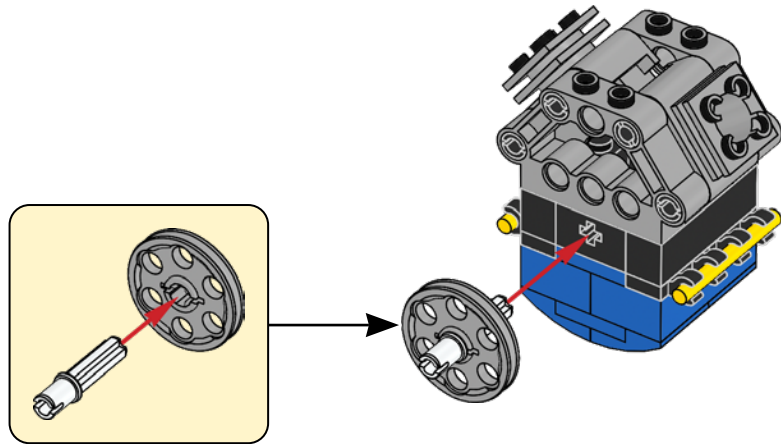
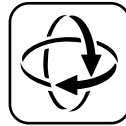
4x
Bleu

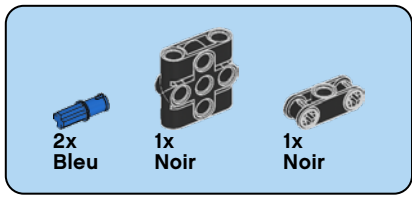
15



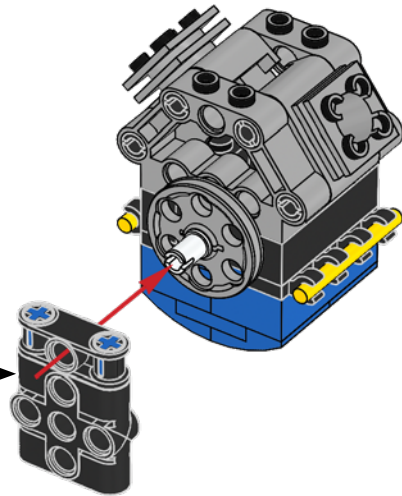
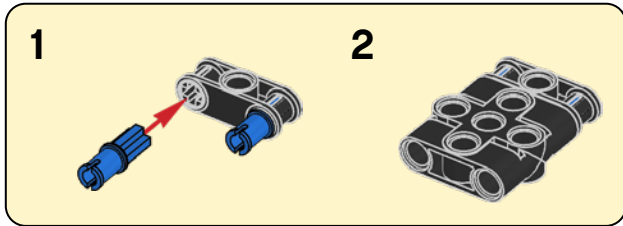


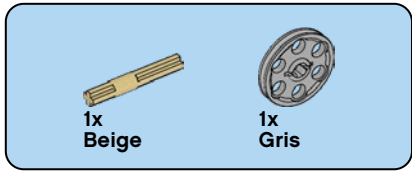
16



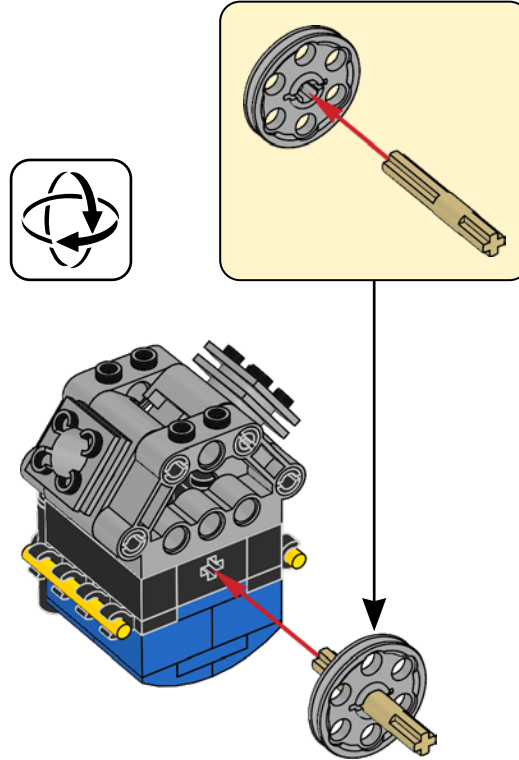


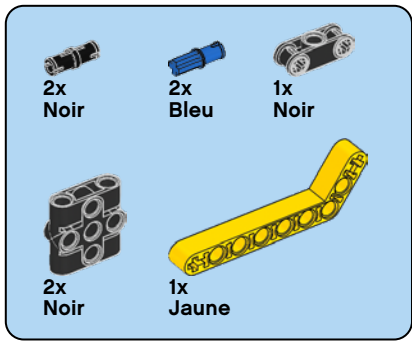
17



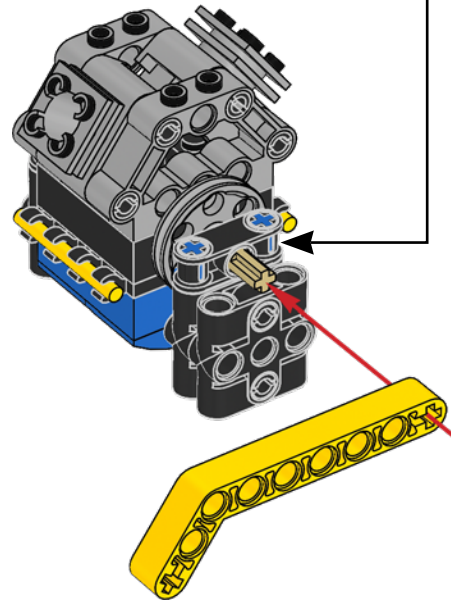
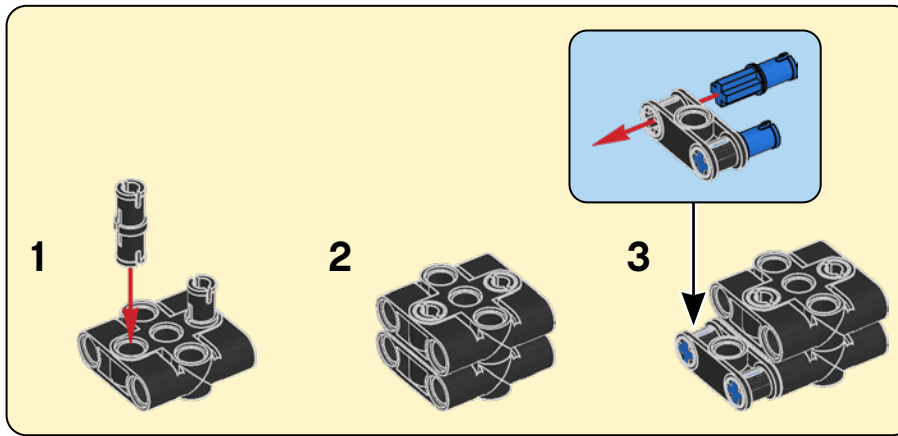


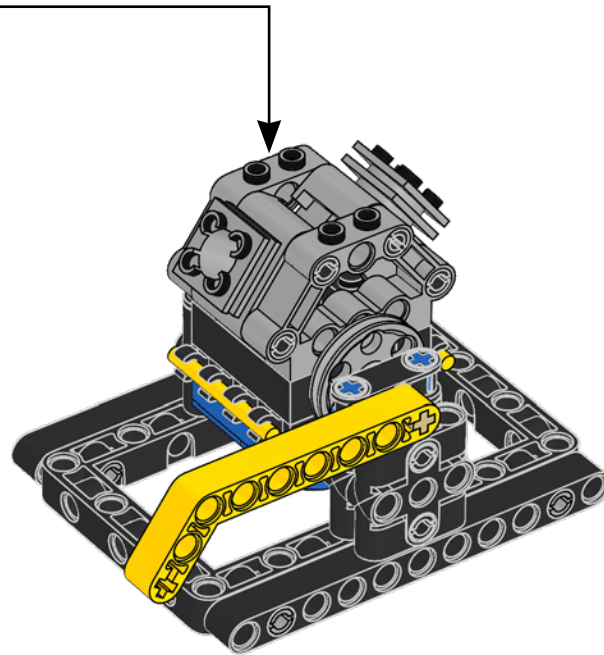
18





19





LEGO and the LEGO logo are trademarks of the/son des marques de commerce du/son marcas registradas de LEGO Group. ©2021 The LEGO Group. All rights reserved/Tous droits réservés/Todos los derechos reservados.

FIRST® is a registered trademark of For Inspiration and Recognition of Science and Technology (FIRST). LEGO® is a registered trademark of the LEGO Group. FIRST® LEGO® League and CARGO CONNECT™ are jointly held trademarks of FIRST and the LEGO Group.

©2021 FIRST and the LEGO Group. All rights reserved.