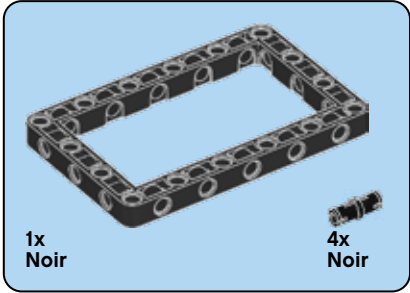
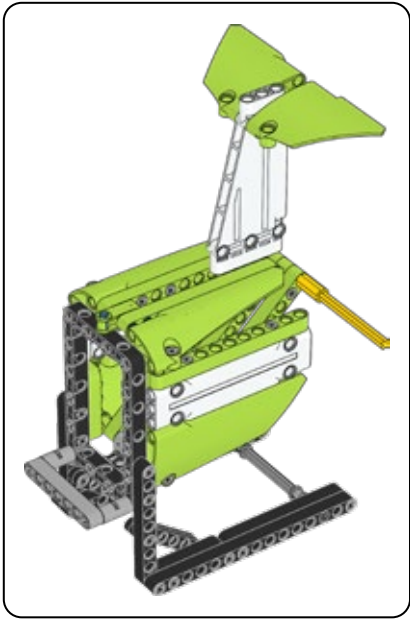
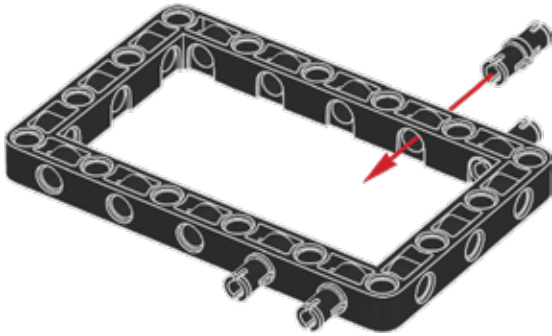


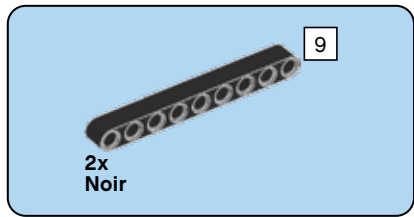
45816



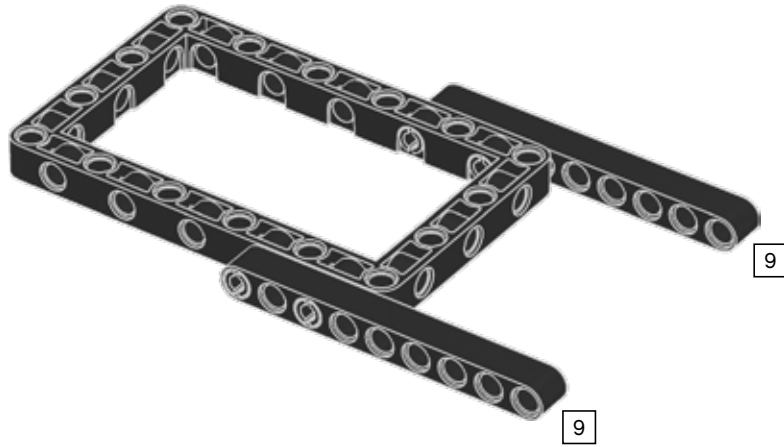


1



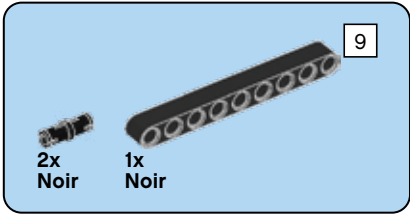
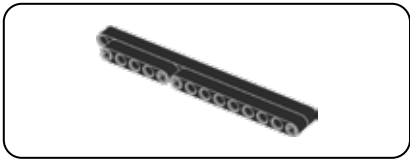


2



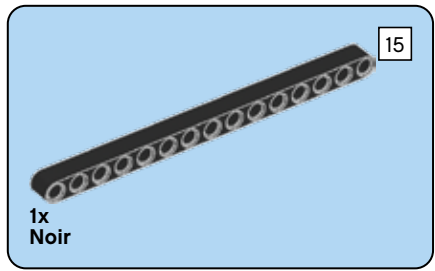
3





4

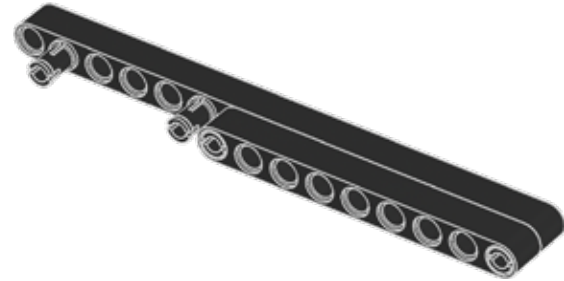
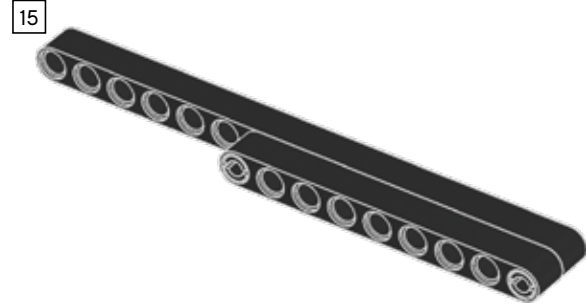


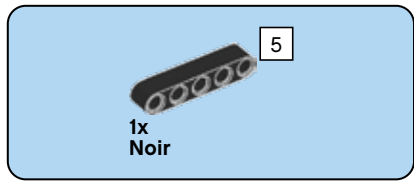


5

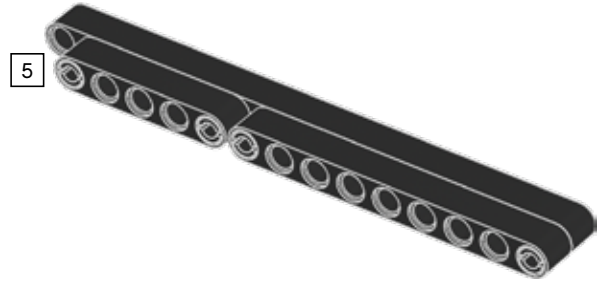


6

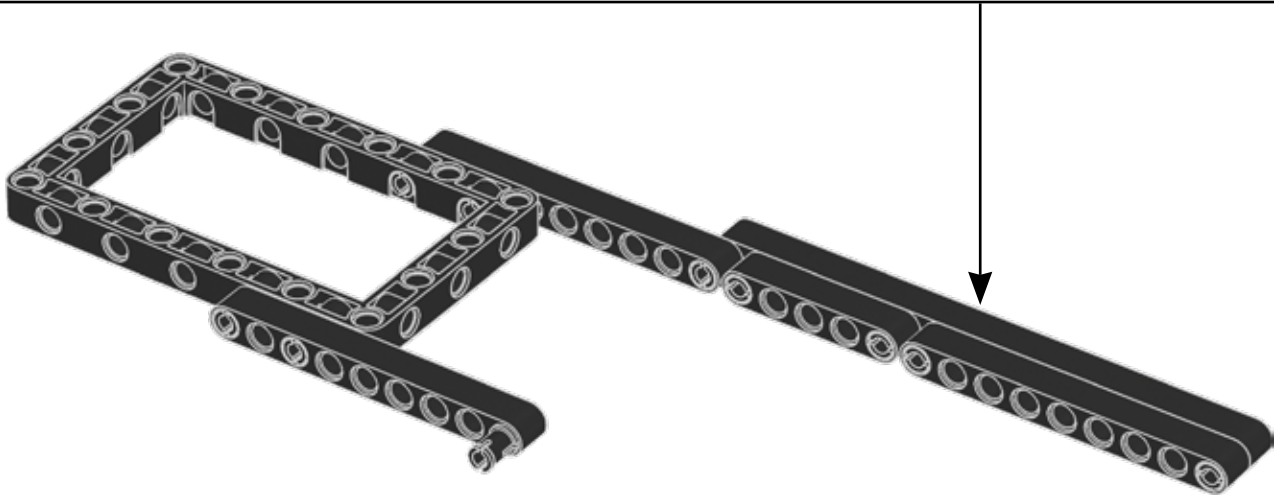


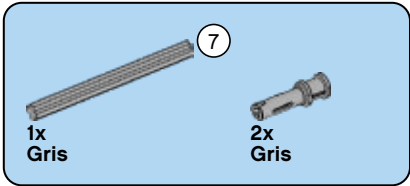


7

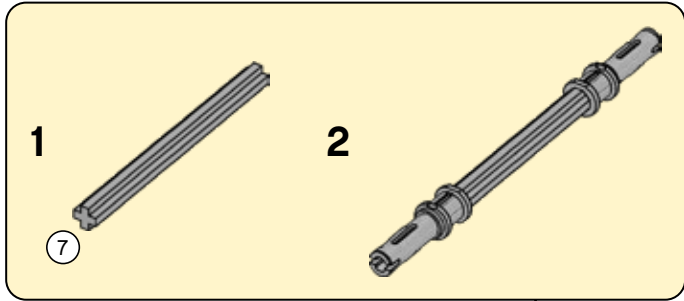


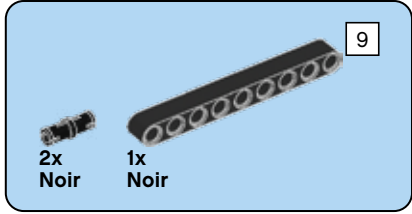
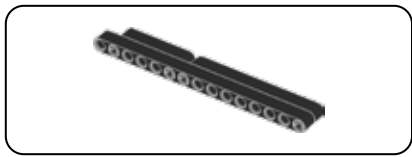
8



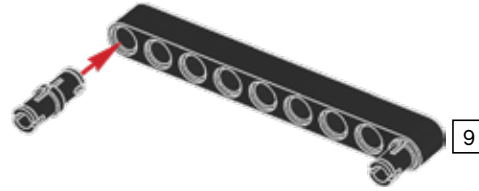


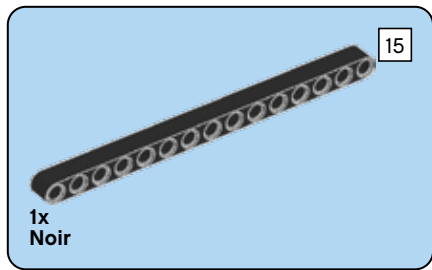
9





10

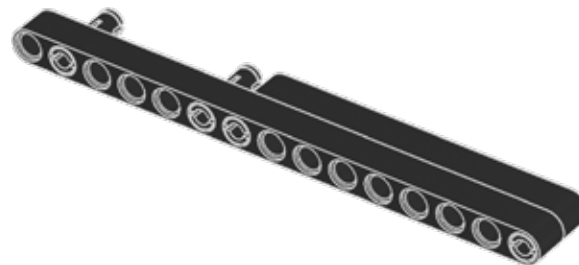
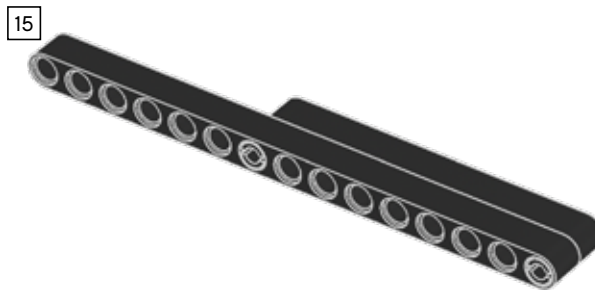




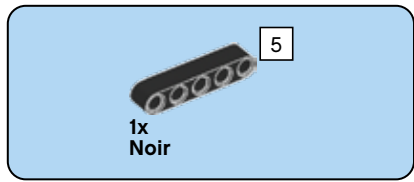
11



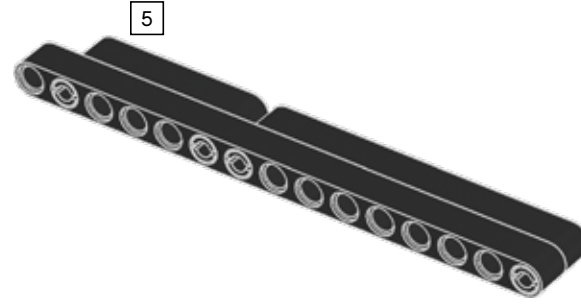
12



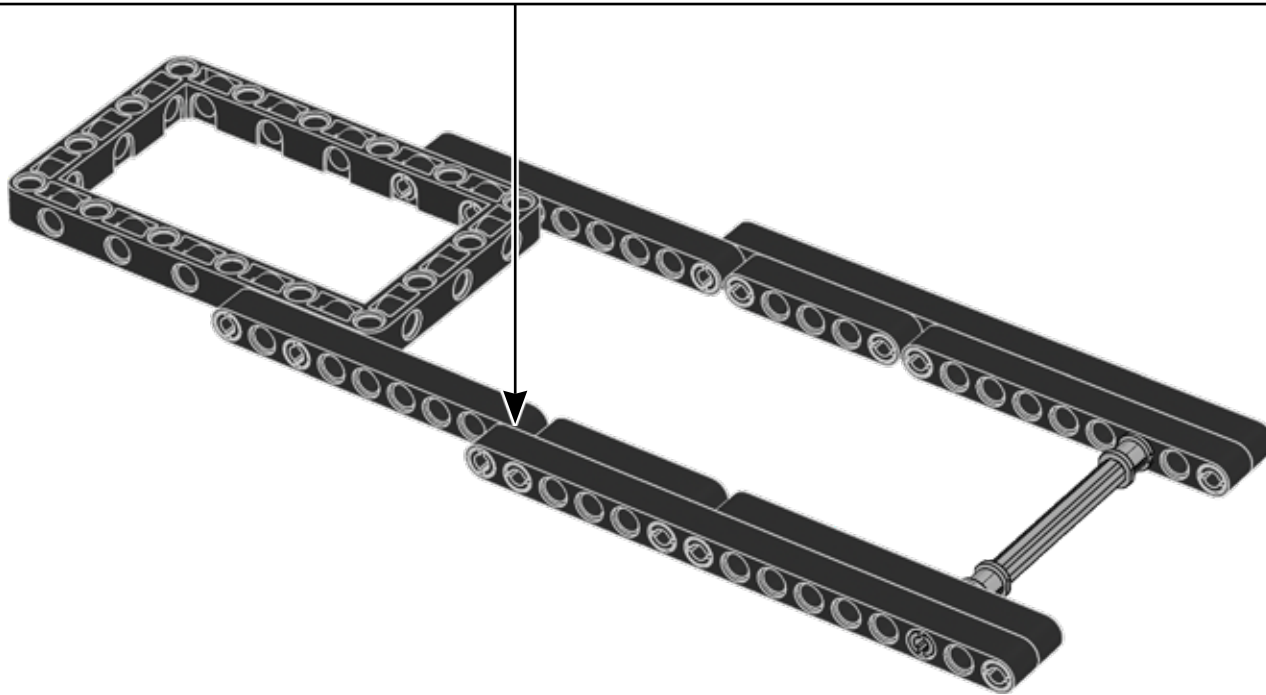
14



13



14

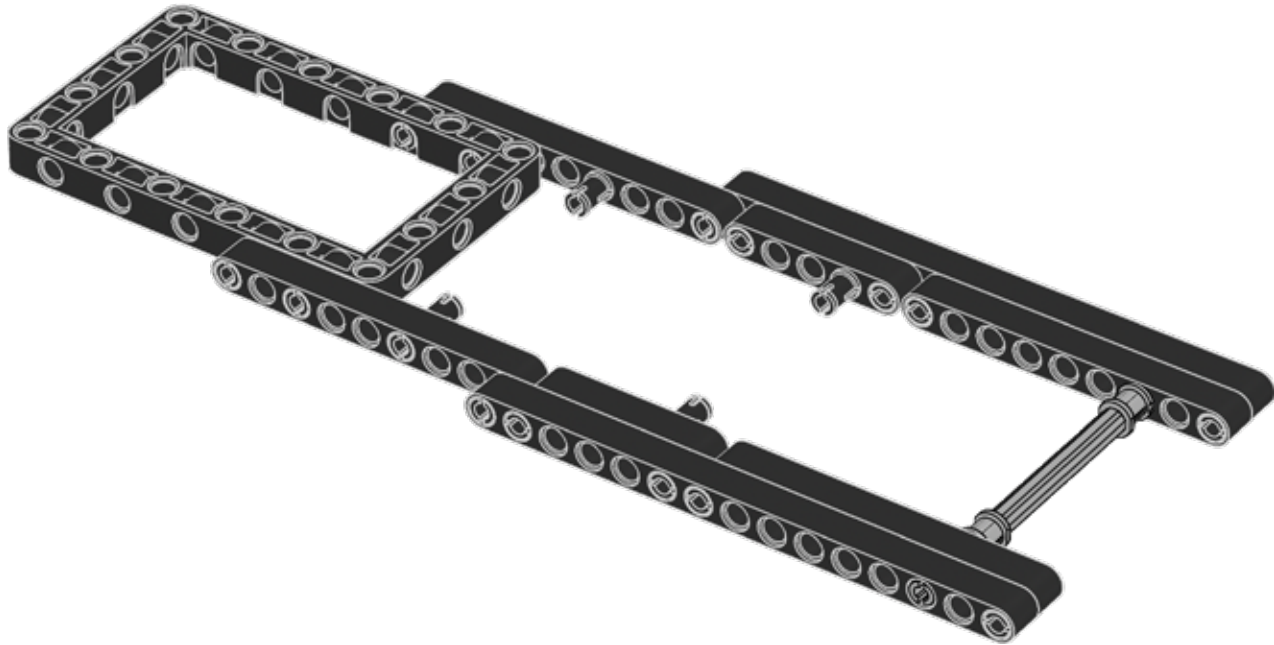


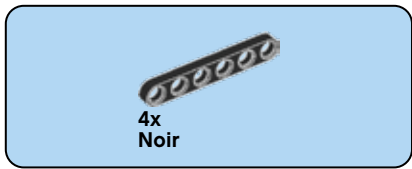


4x
Noir

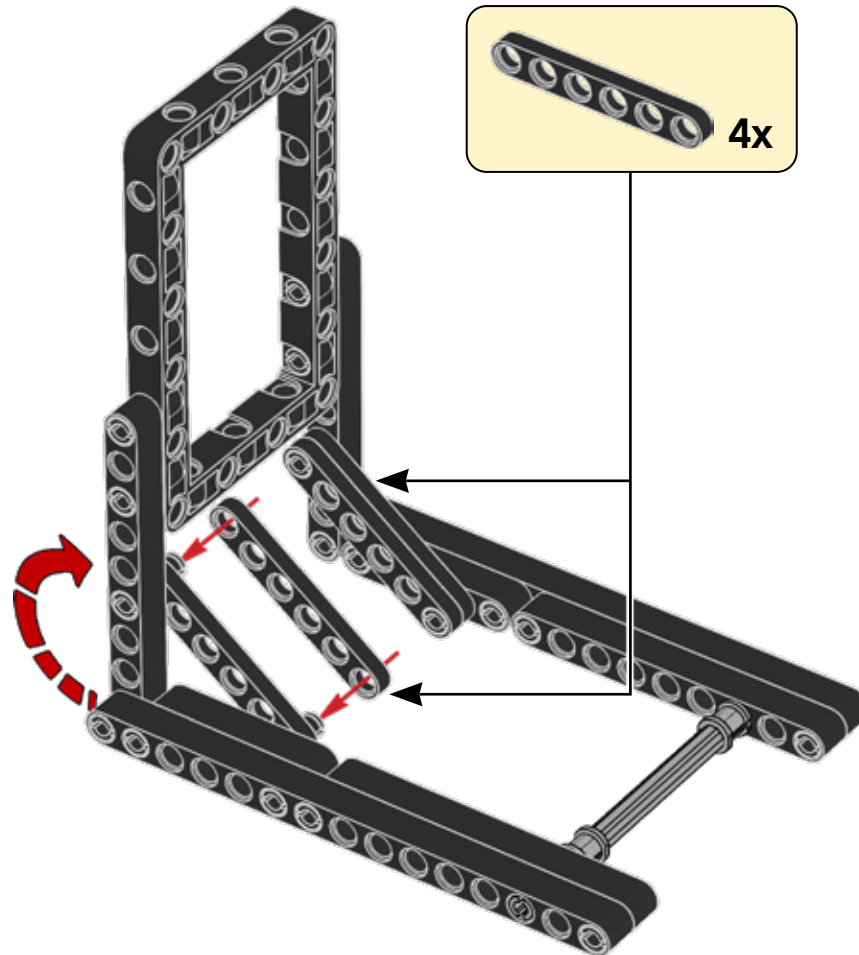


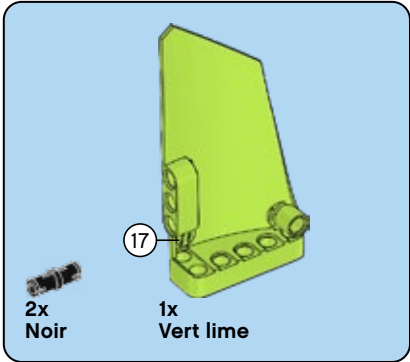
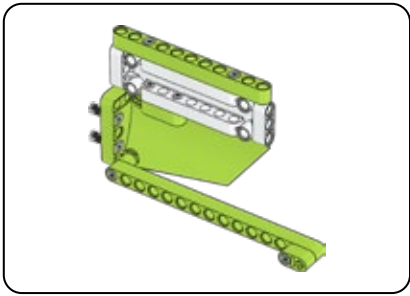
15



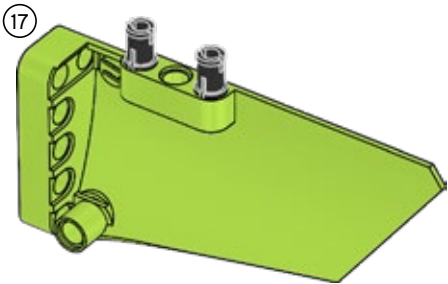


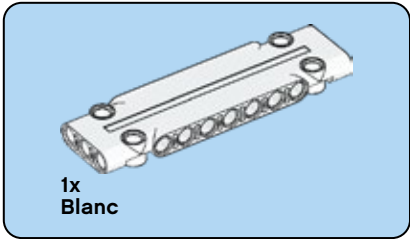
16





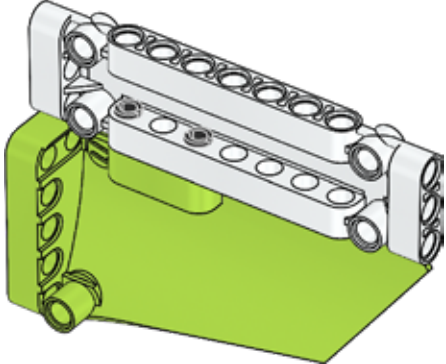
17





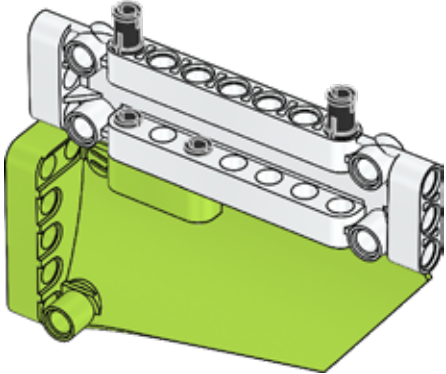
1x
Blanc

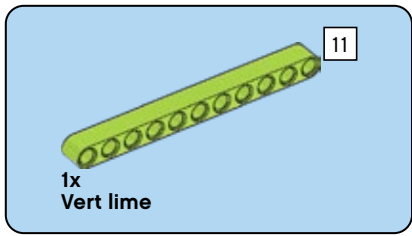
18



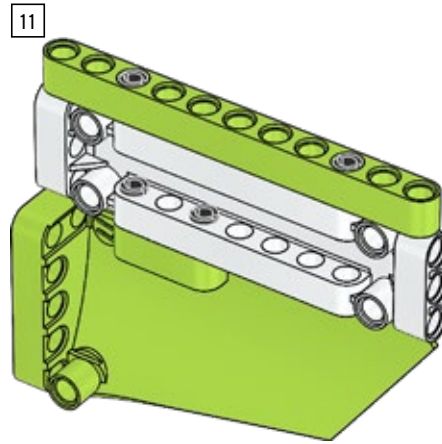
2x
Noir

19

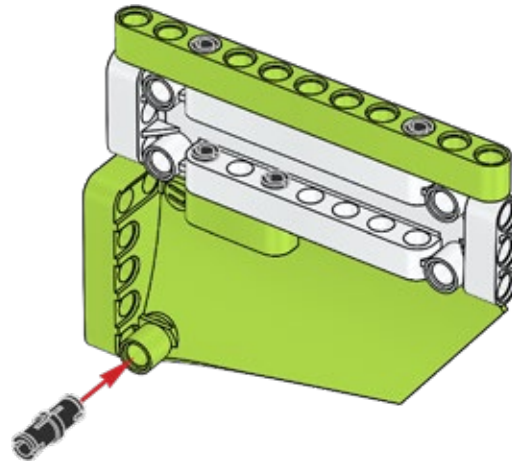


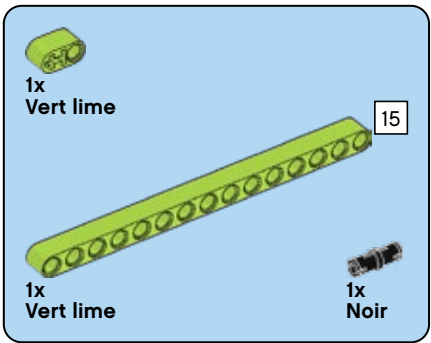


20

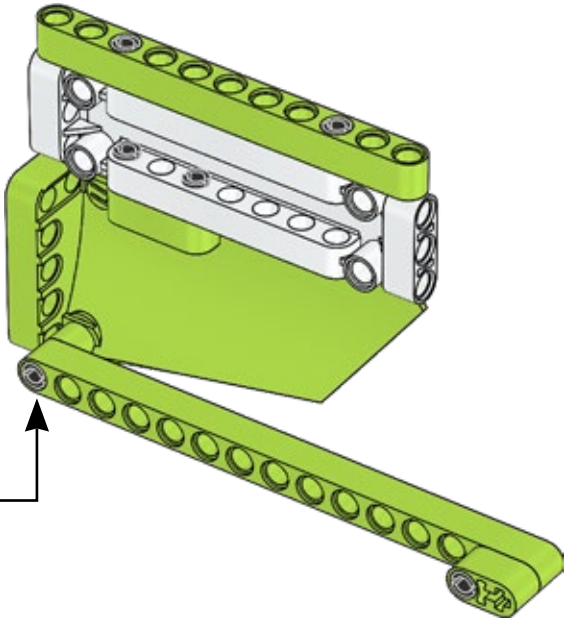
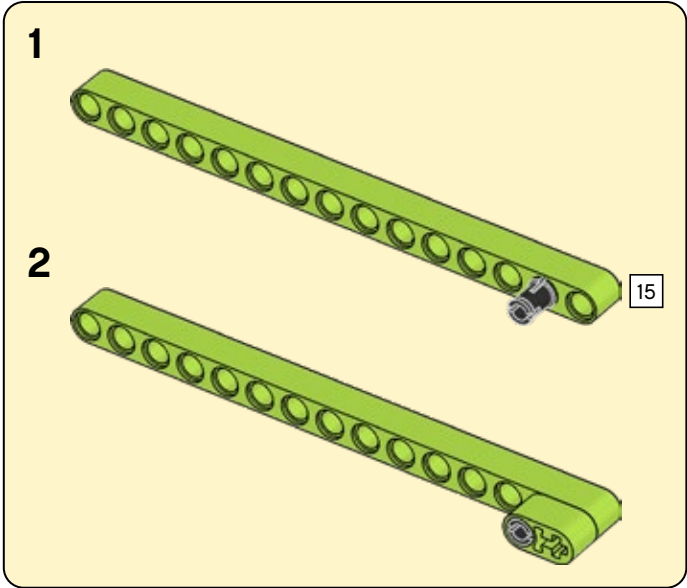


21





22

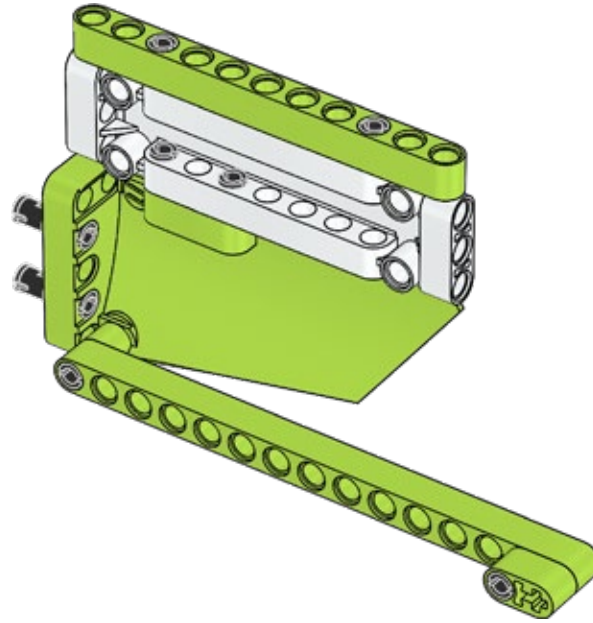




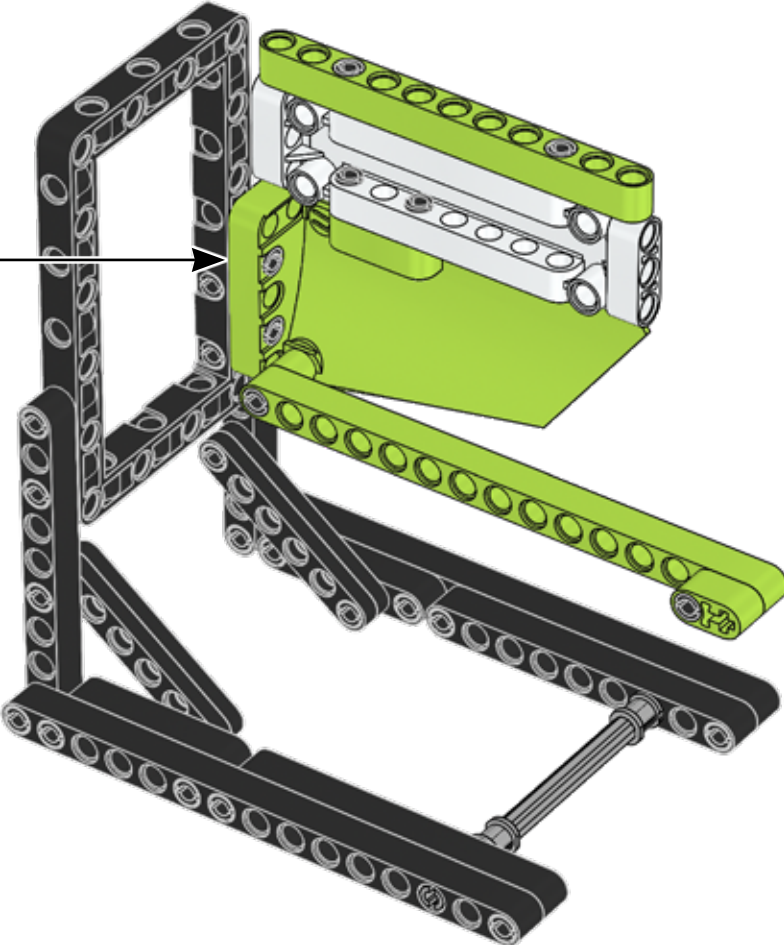
2x
Noir

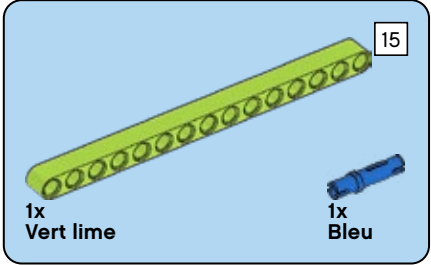
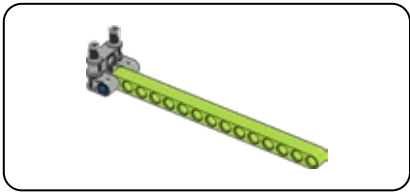


23

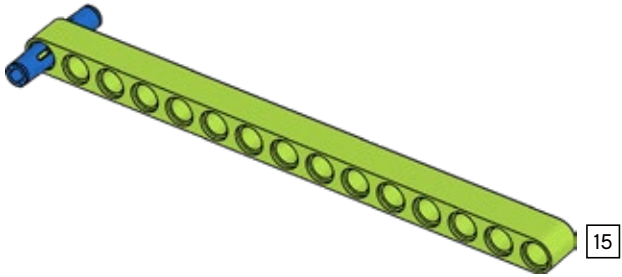


24





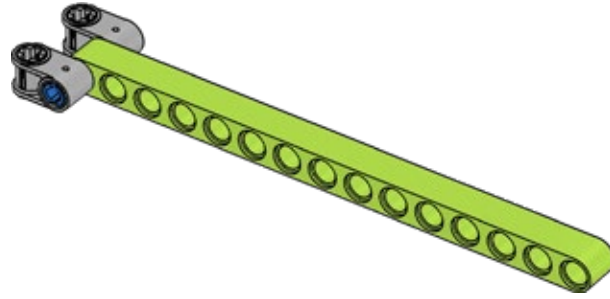
25





2x
Gris

26

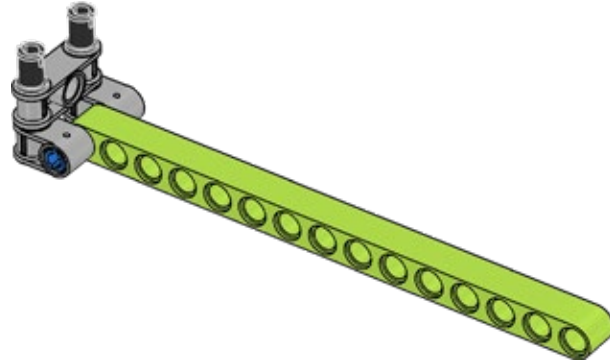
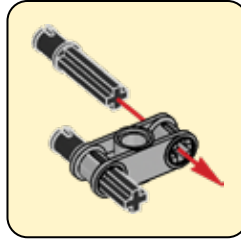


2x
Noir

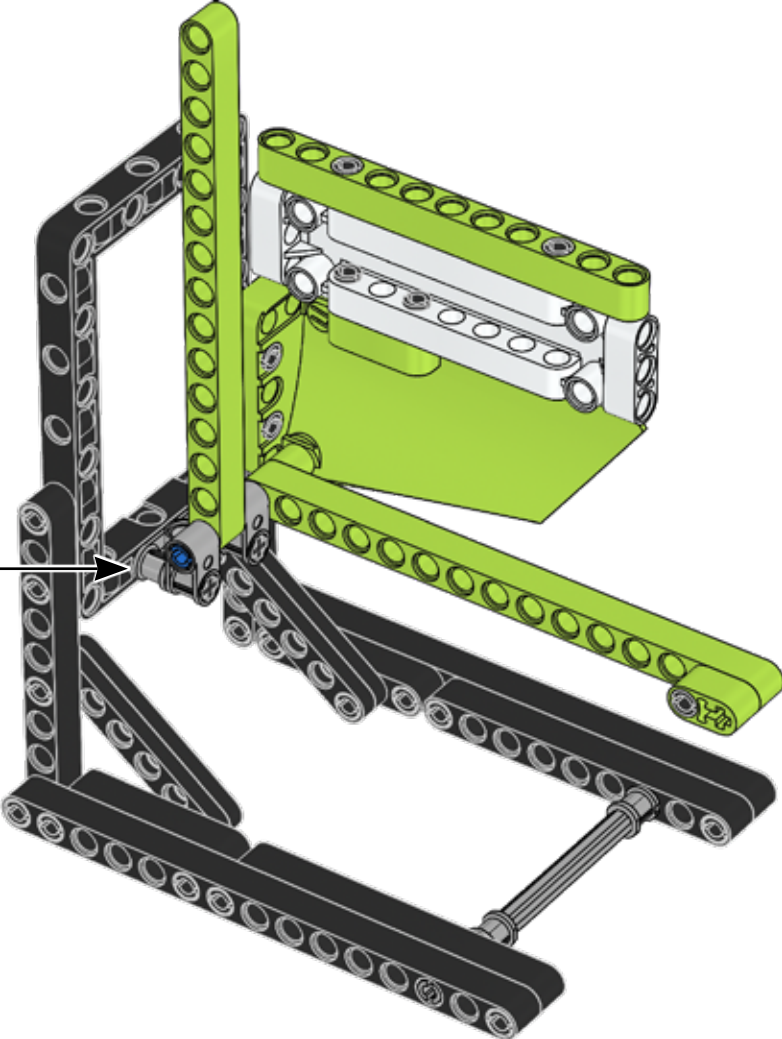


1x
Gris

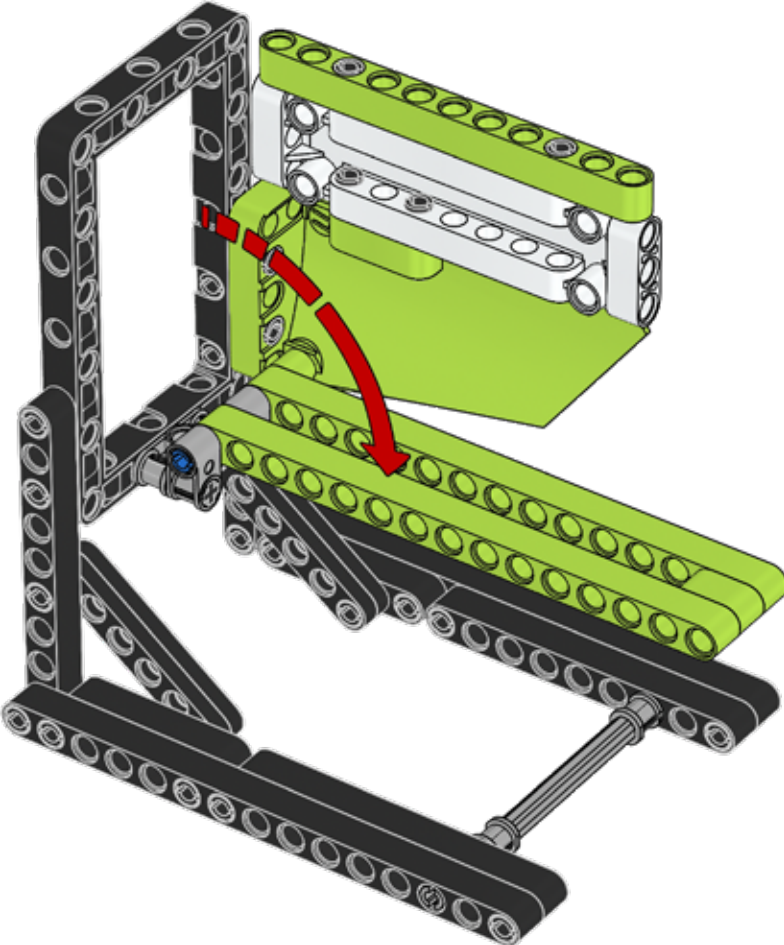
27

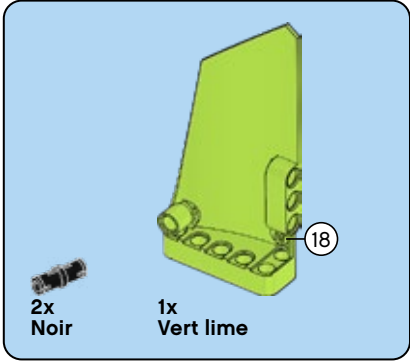
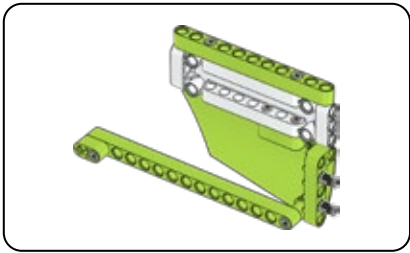


28

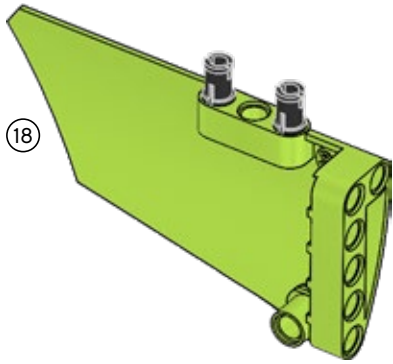


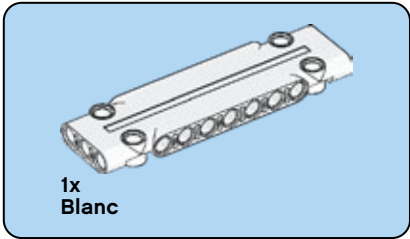
29



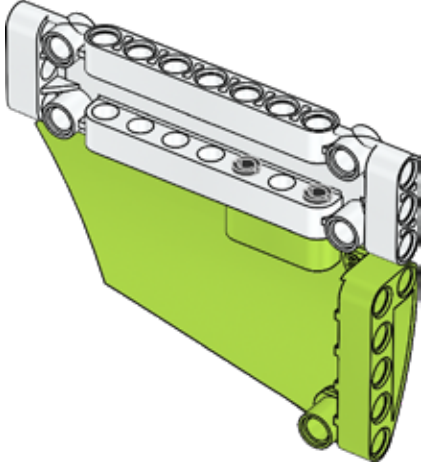


30

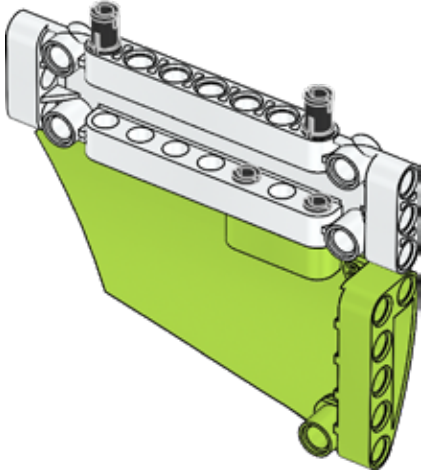


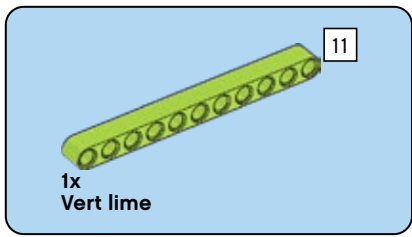


31

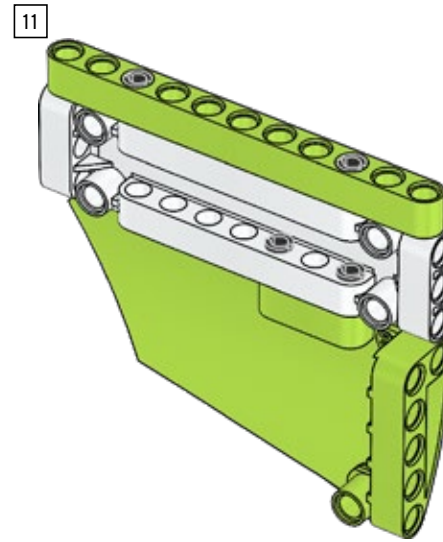


32

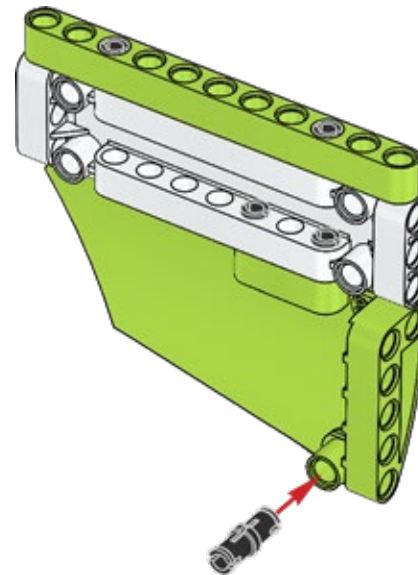


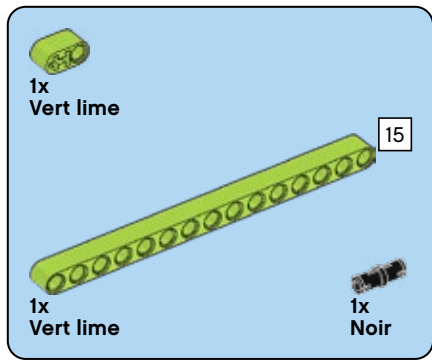


33

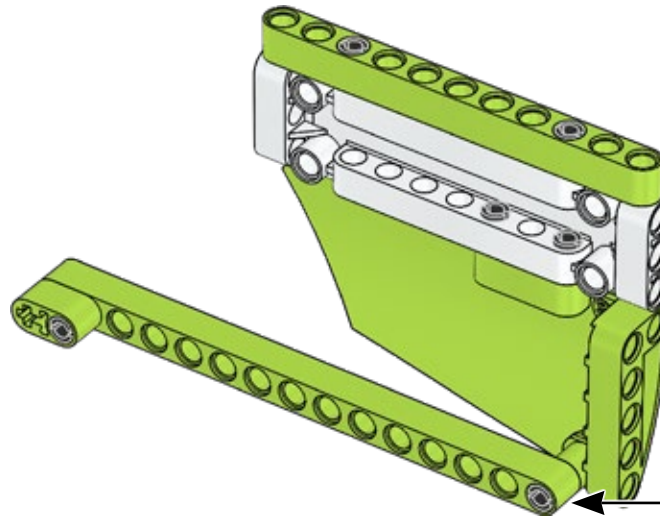
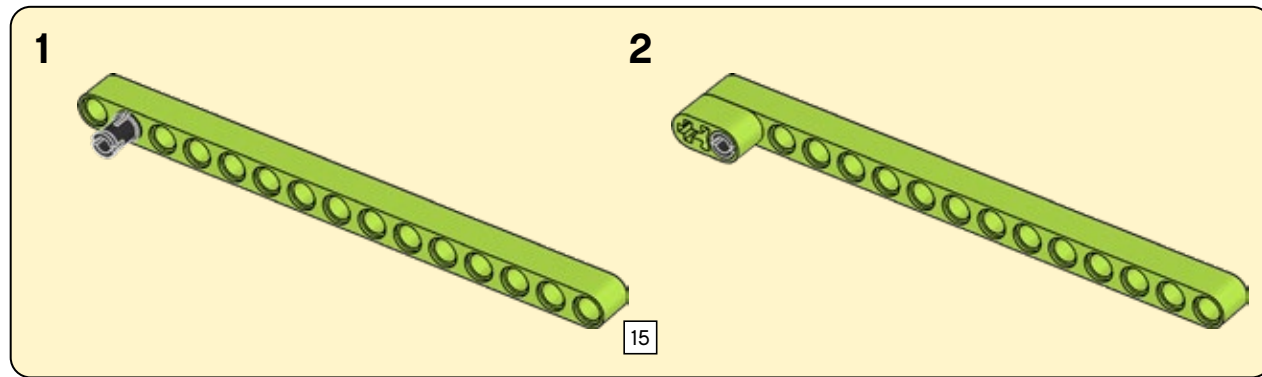


34





35

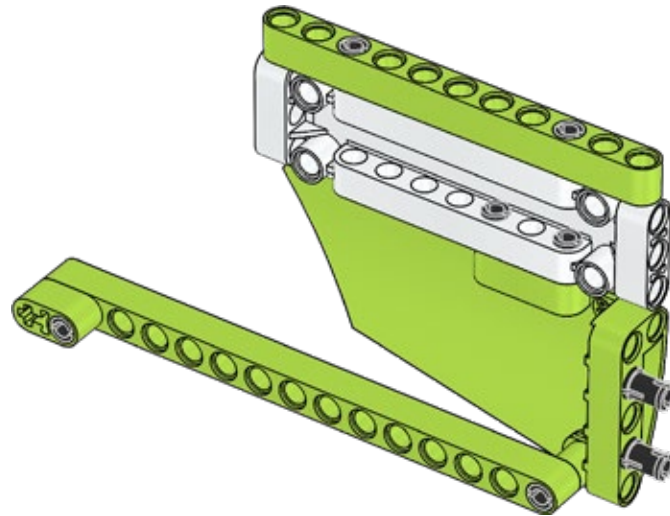




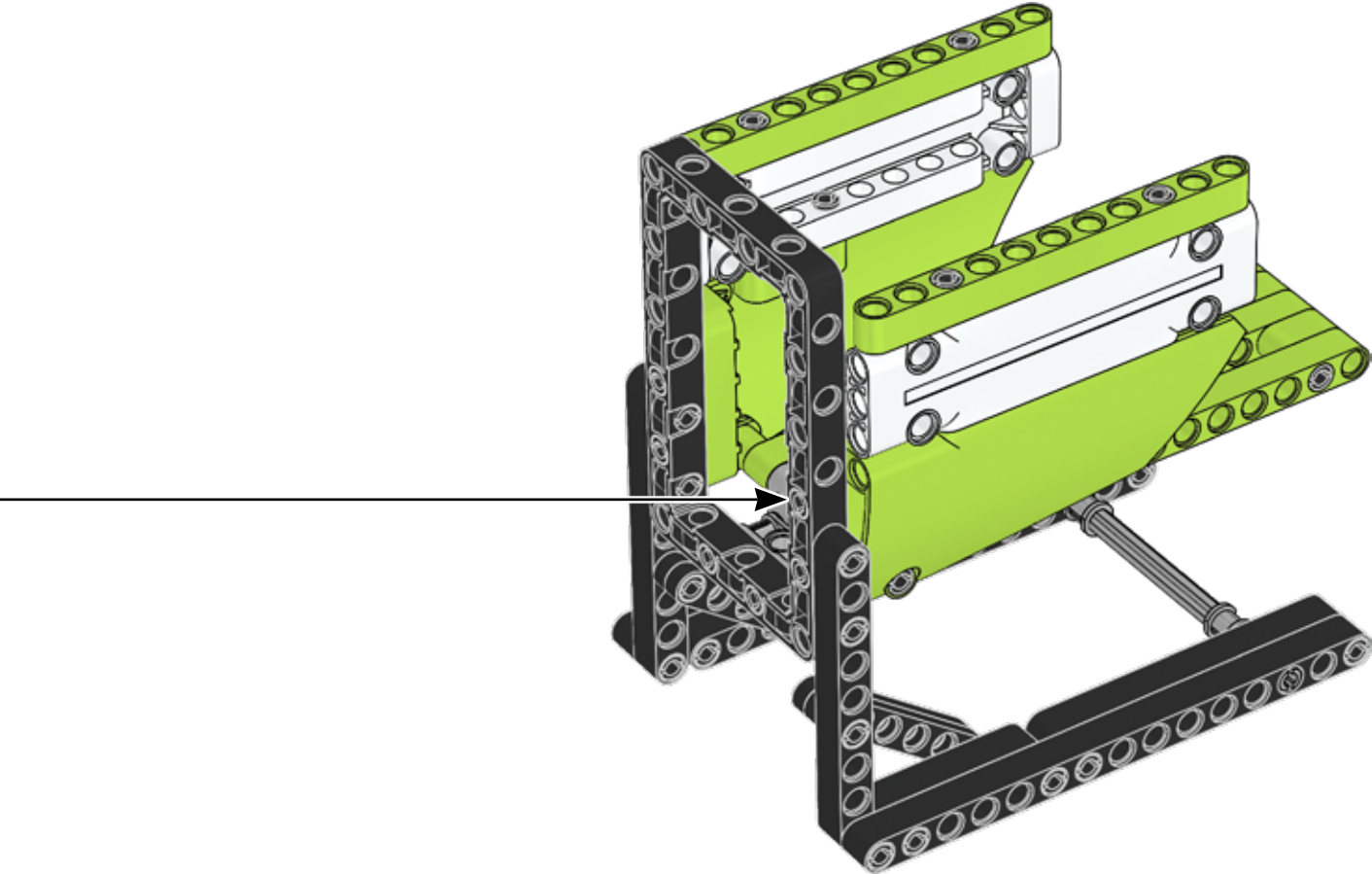
2x
Noir

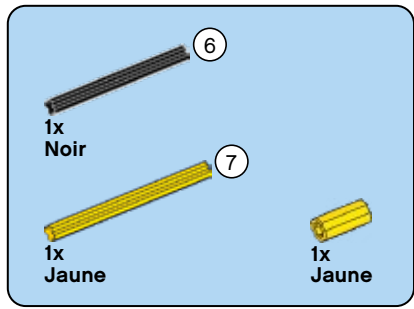


36

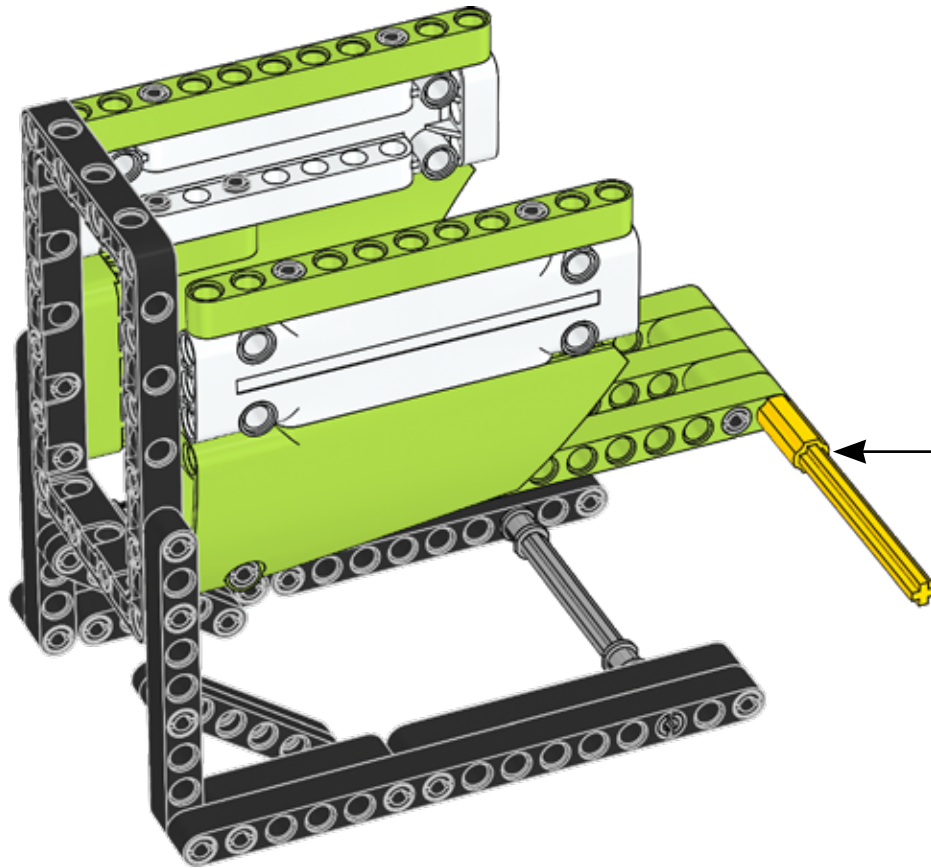
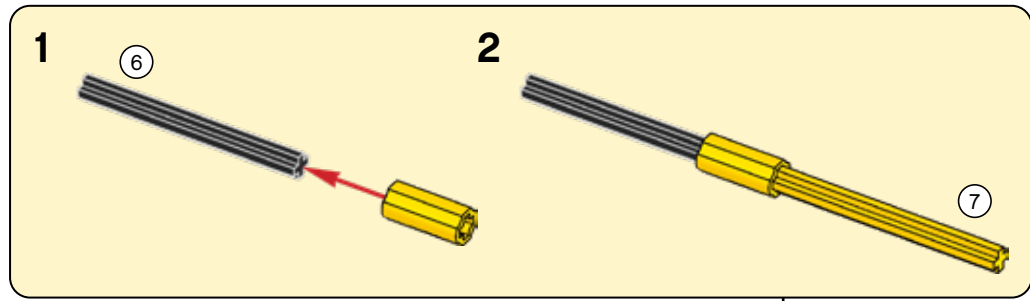


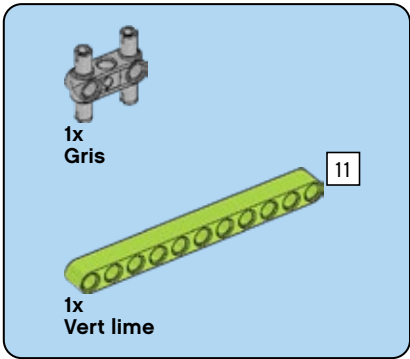
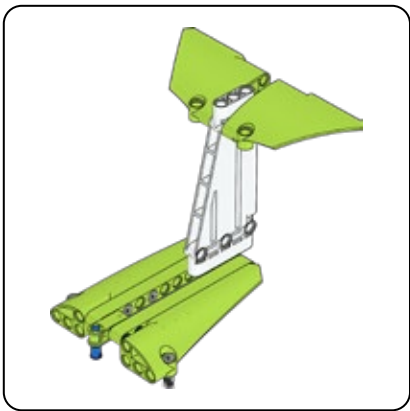
37



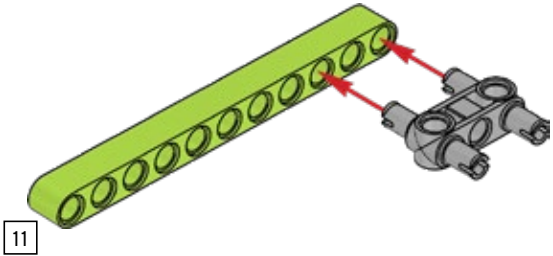


38



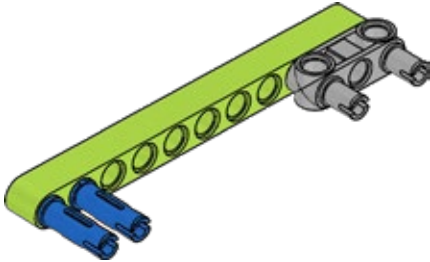


39

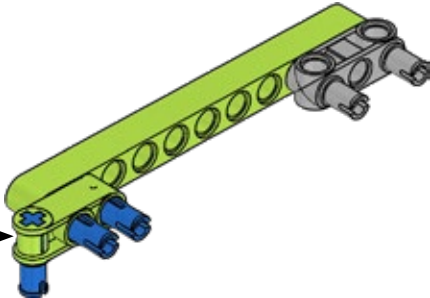
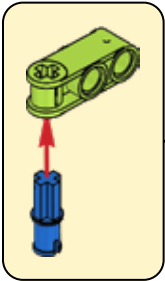


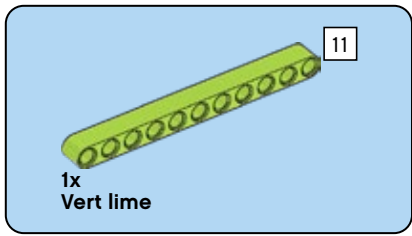


40

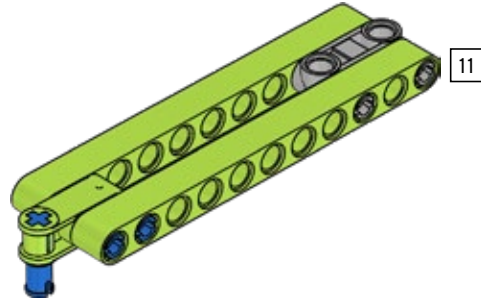


41

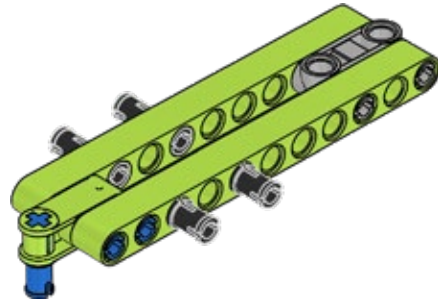


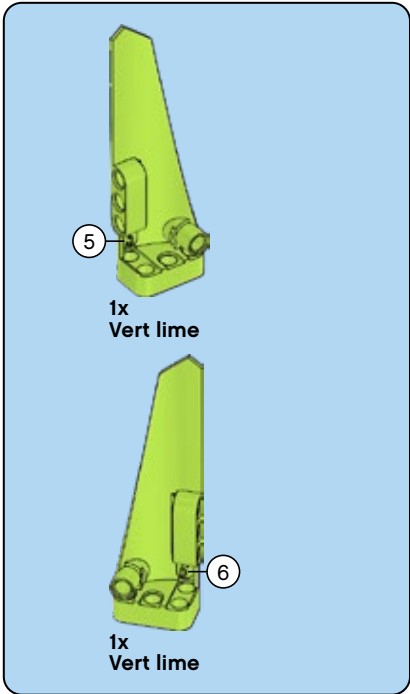


42

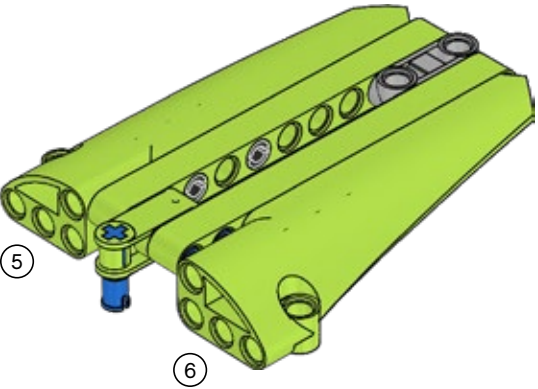


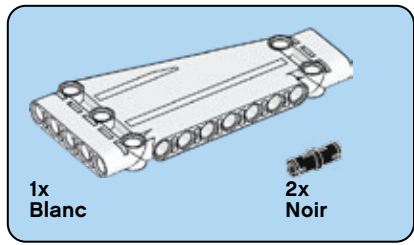
43



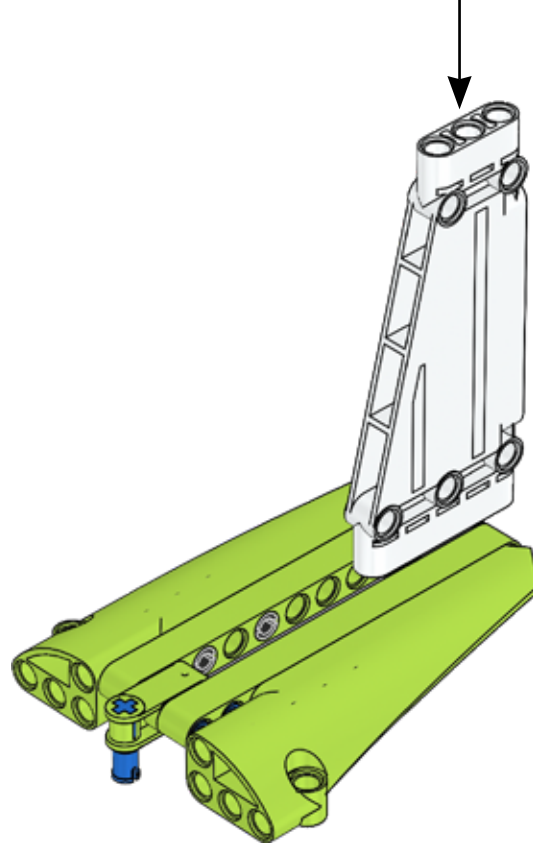
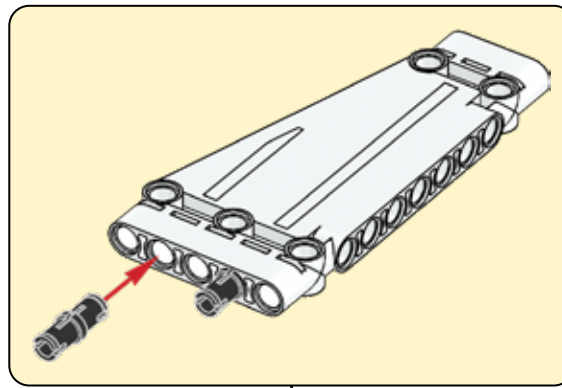


44





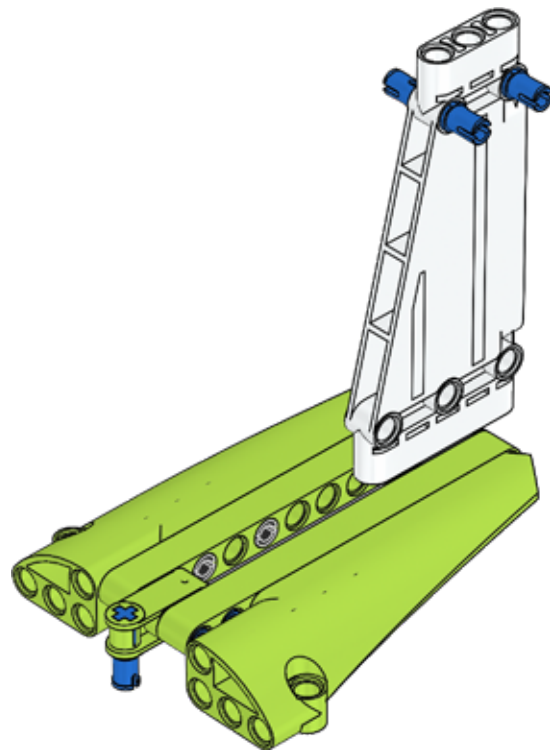
45

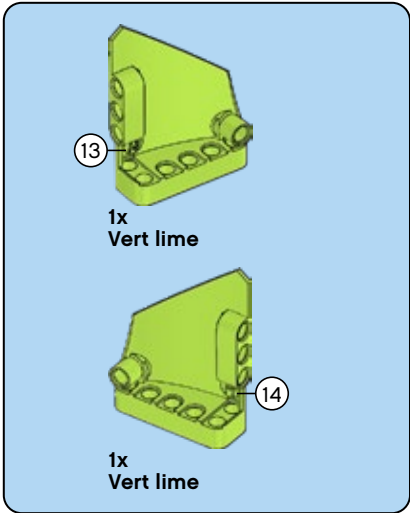


14

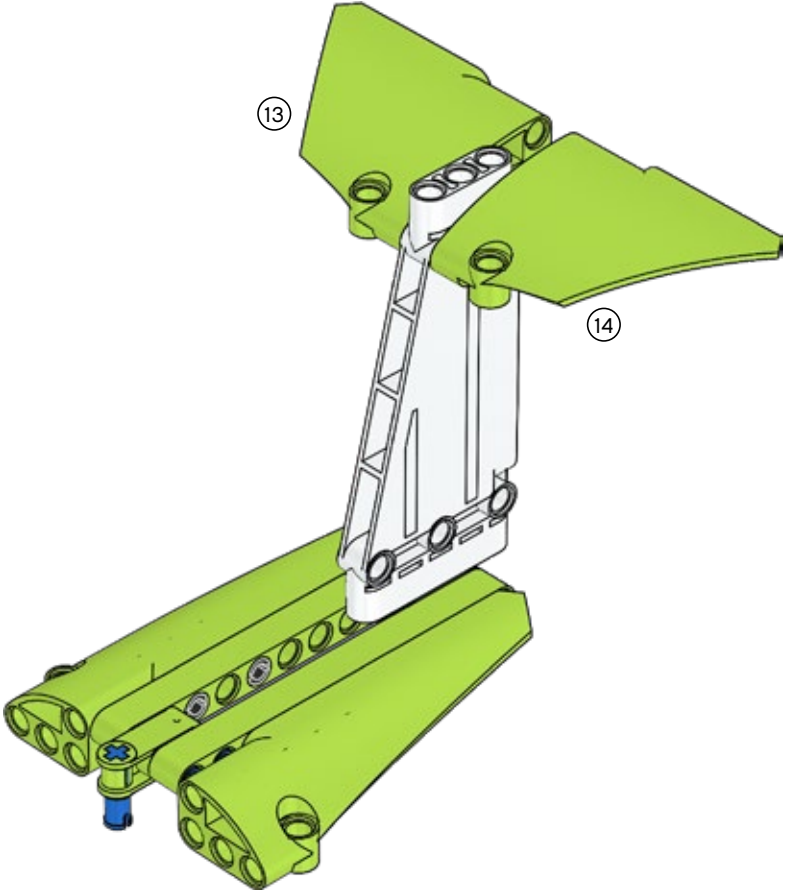


46





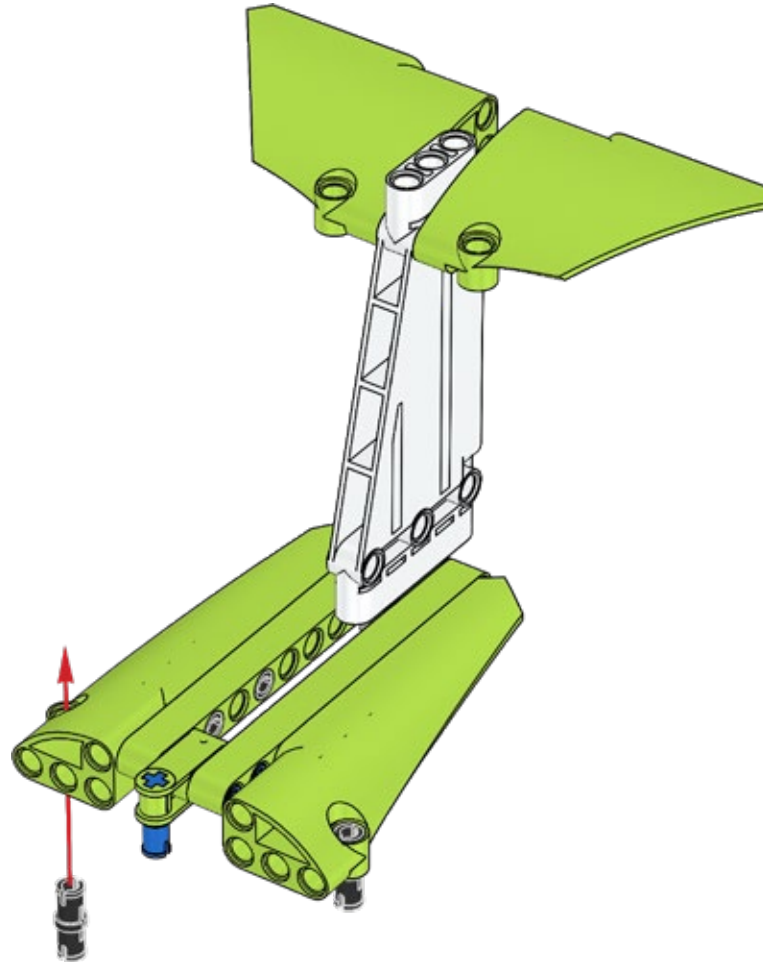
47



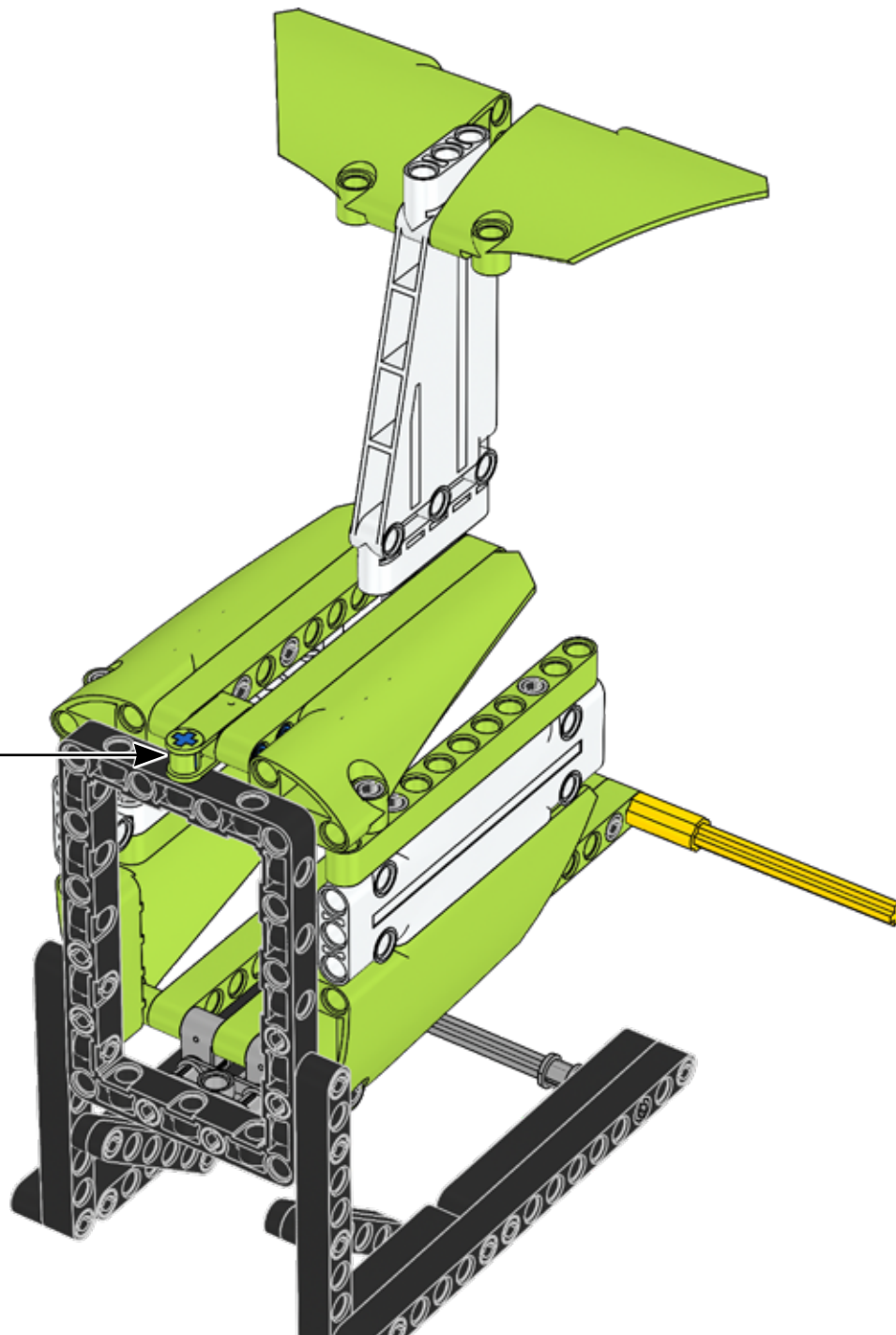
2x
Noir

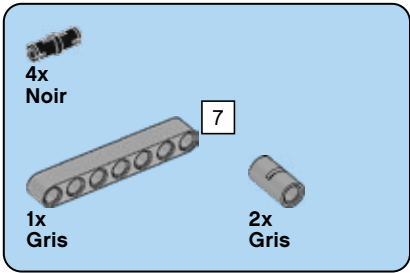


48

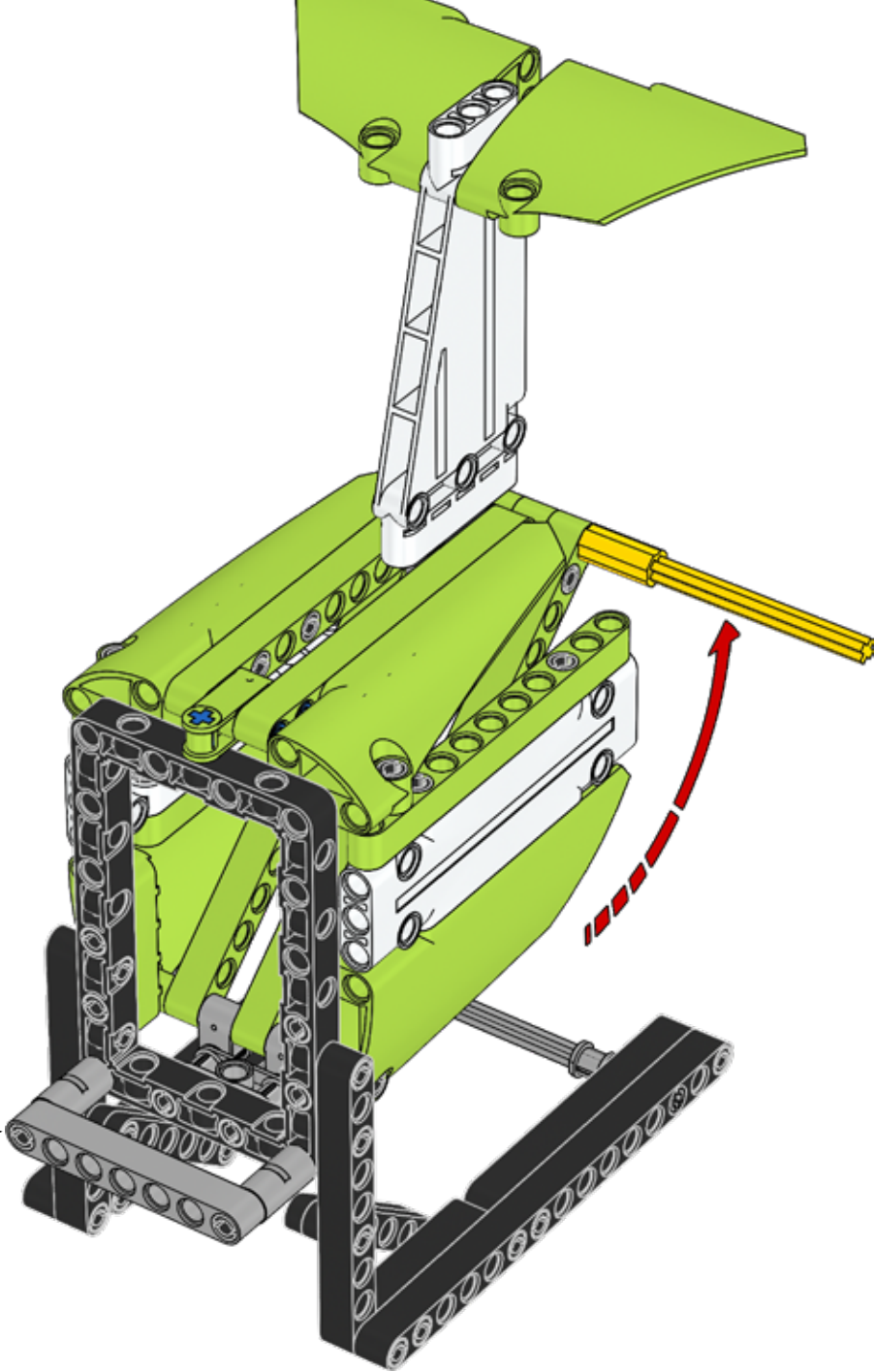
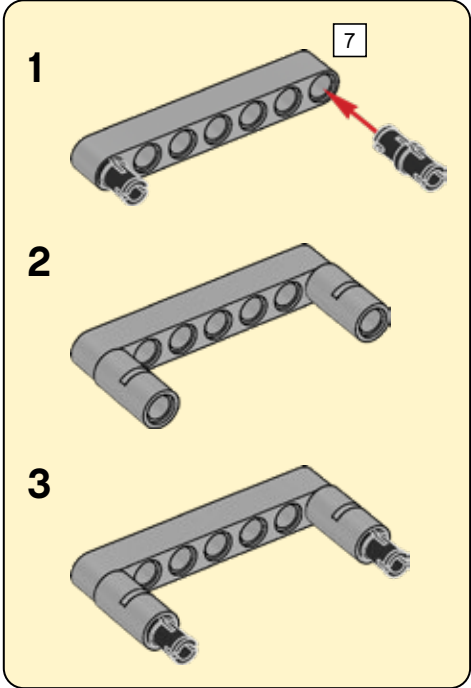


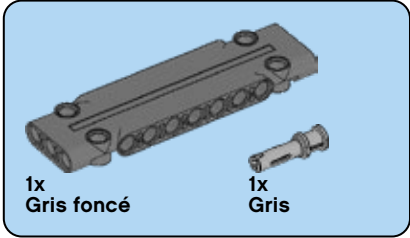
49



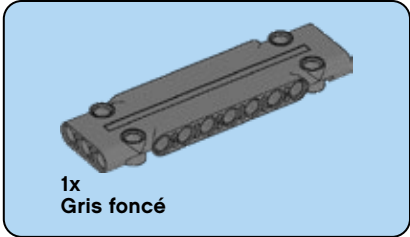
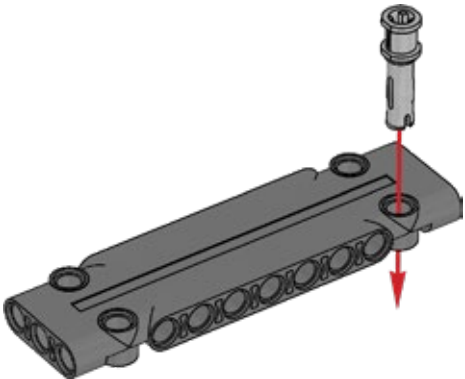


50

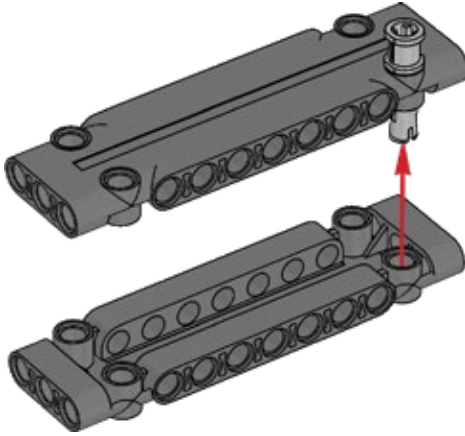


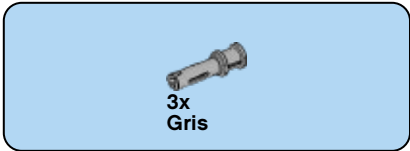


51

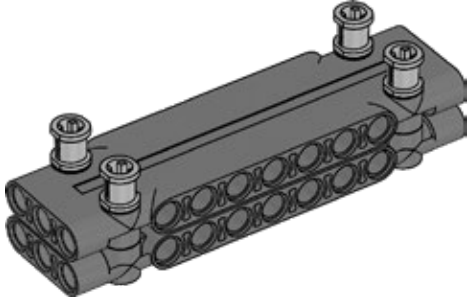


52

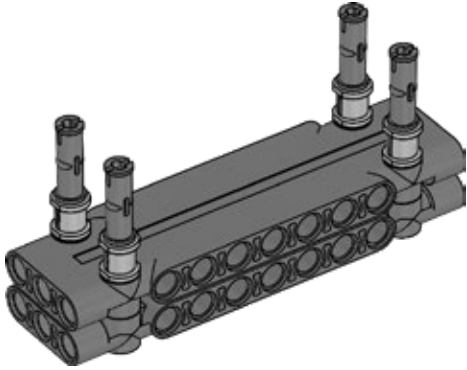


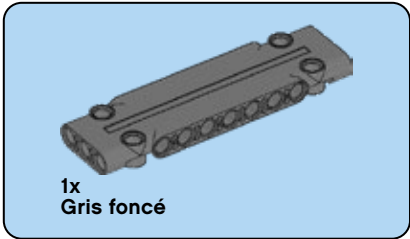


53

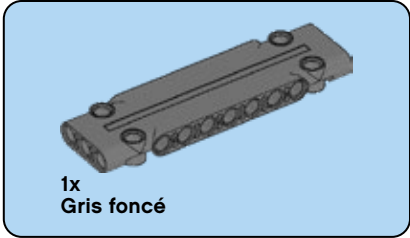
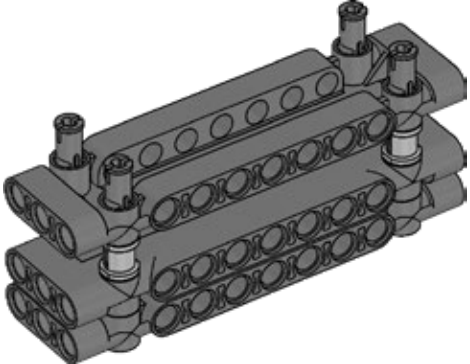


54

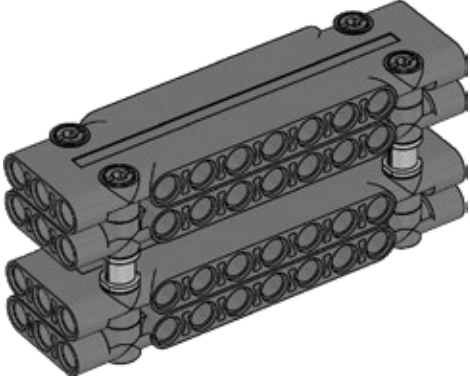




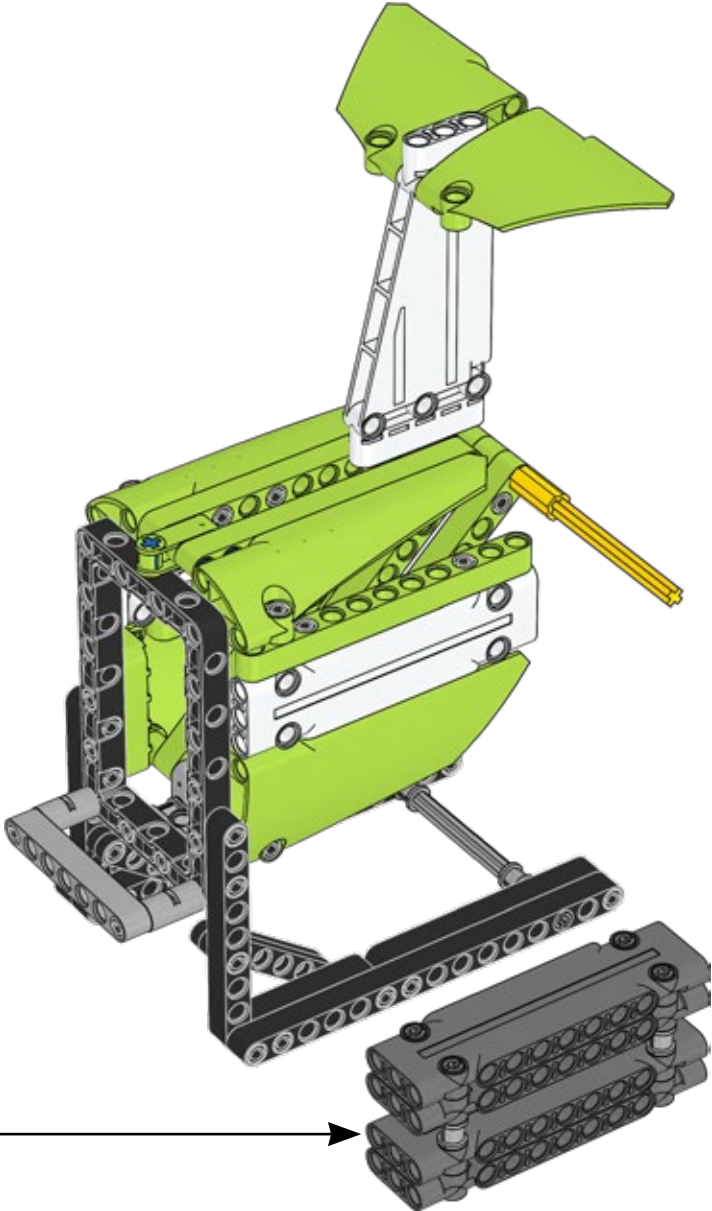
55



56



57



LEGO and the LEGO logo are trademarks of the/son des marques de commerce du/son marcas registradas de LEGO Group. ©2021 The LEGO Group. All rights reserved/Tous droits réservés/Todos los derechos reservados.

FIRST® is a registered trademark of For Inspiration and Recognition of Science and Technology (FIRST). LEGO® is a registered trademark of the LEGO Group. FIRST® LEGO® League and CARGO CONNECT™ are jointly held trademarks of FIRST and the LEGO Group.

©2021 FIRST and the LEGO Group. All rights reserved.