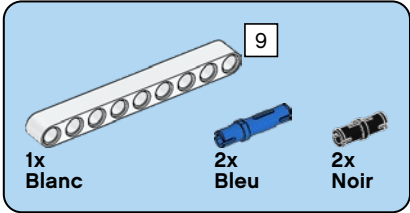
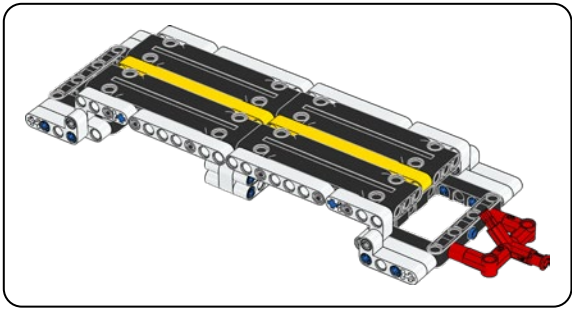
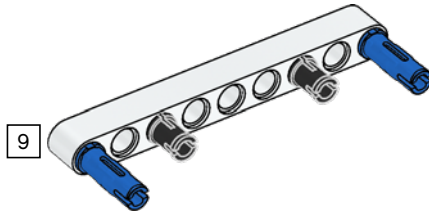


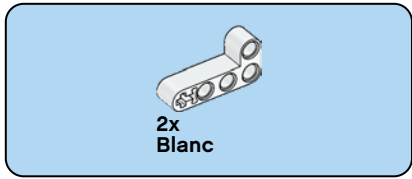
45816



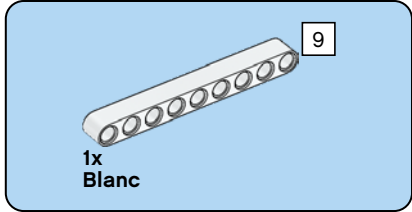
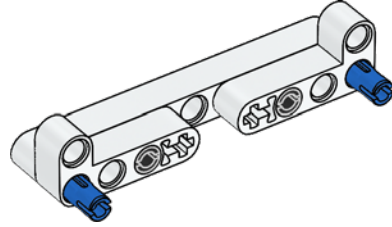


1

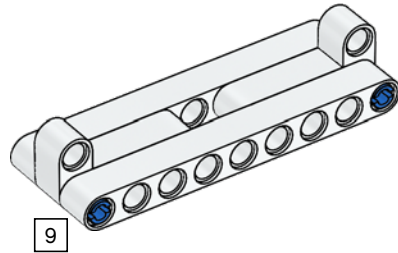




2

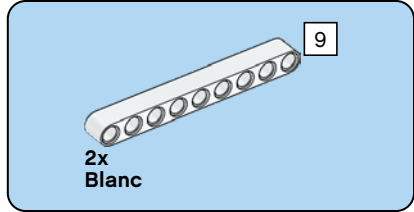
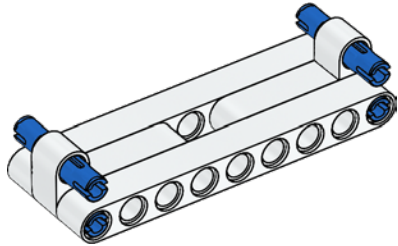


3

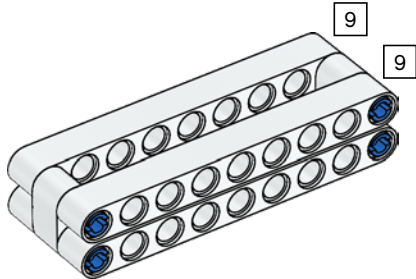


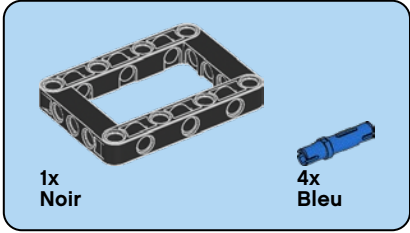
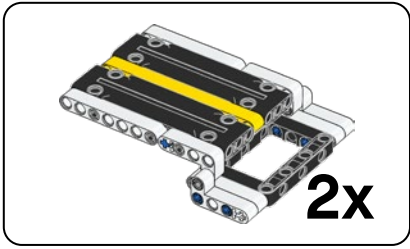


4

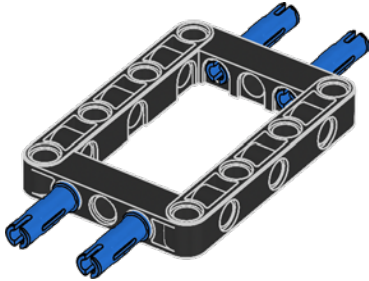


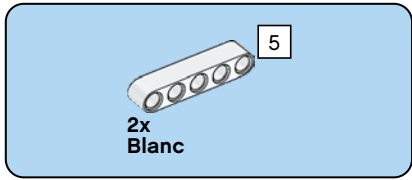
5



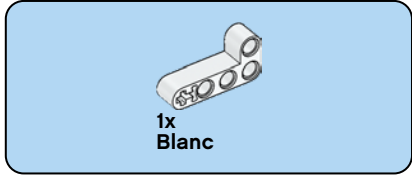
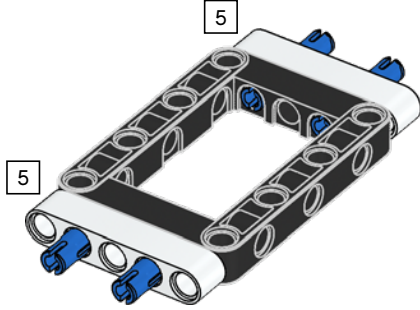


6

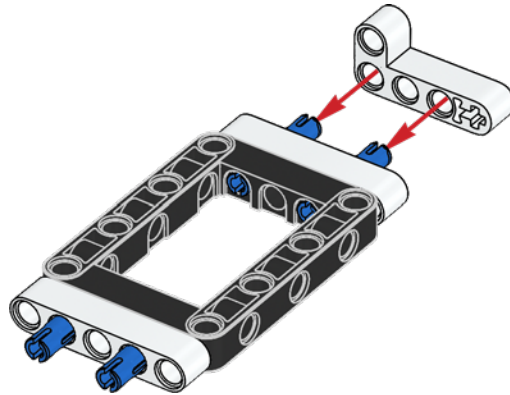


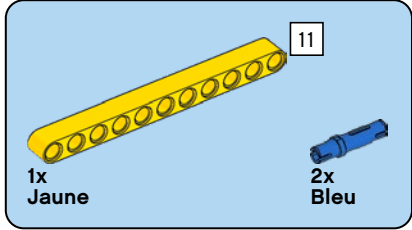
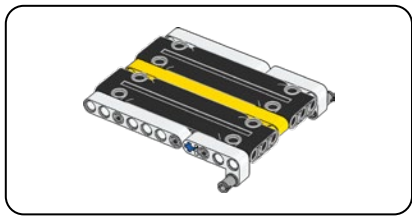


7

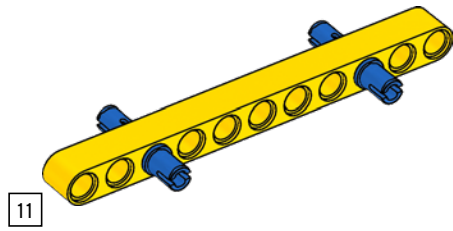


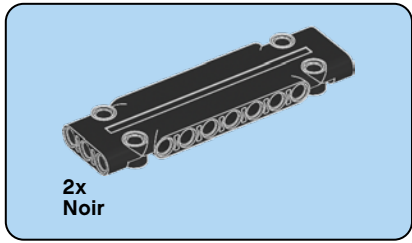
8



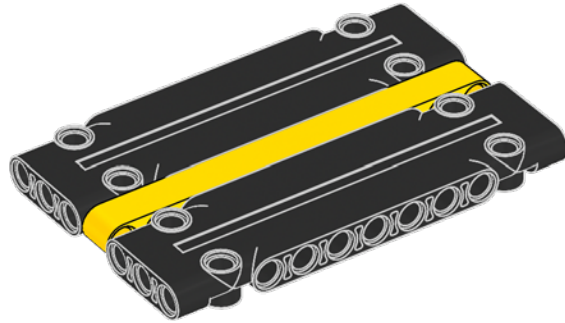


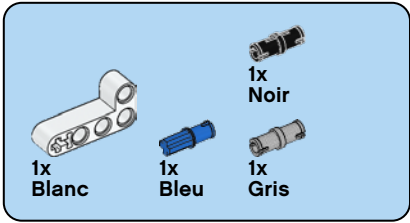
9



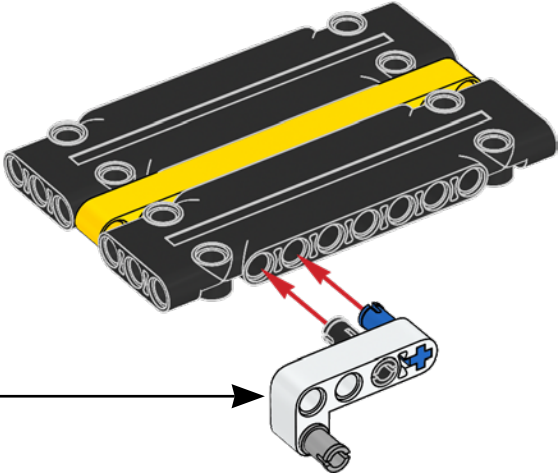
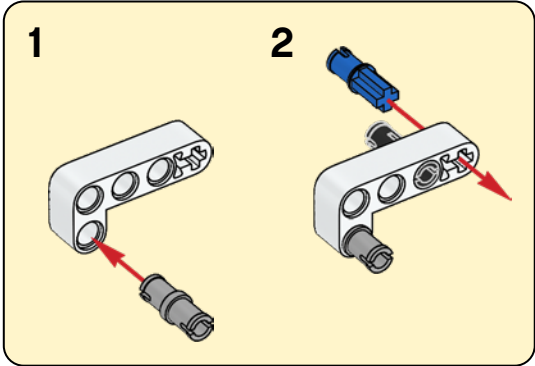


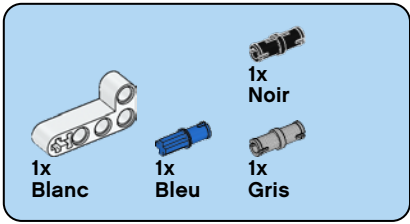
10



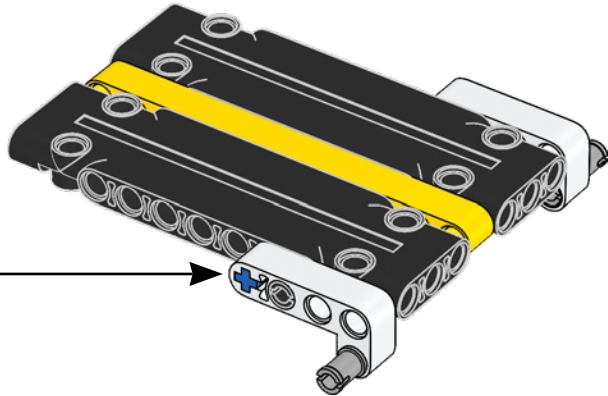
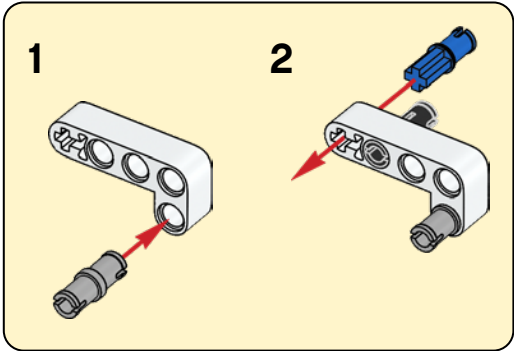


11



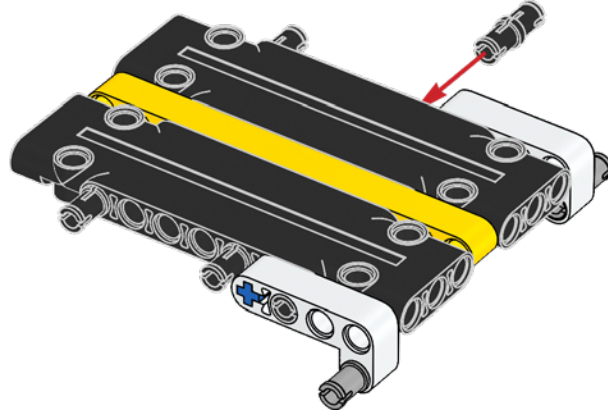


12



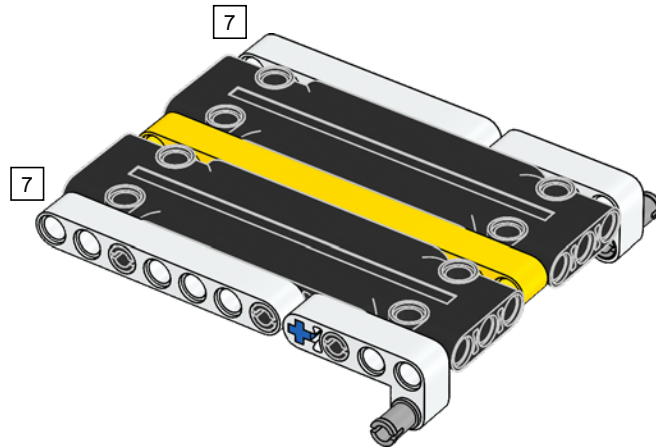
4x
Noir

13

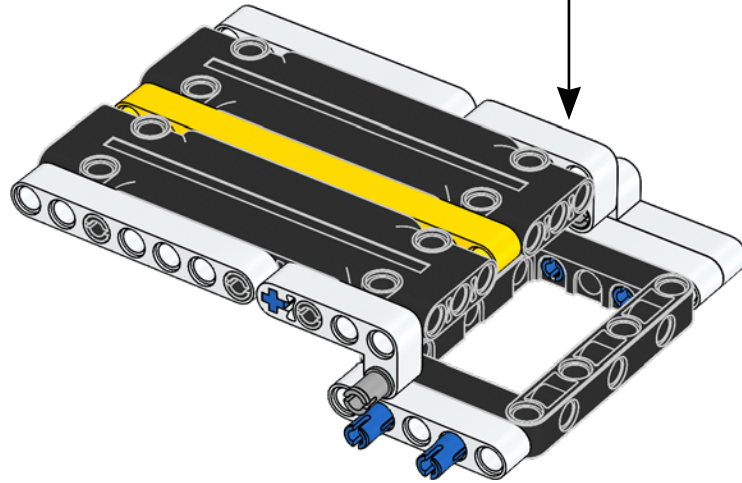


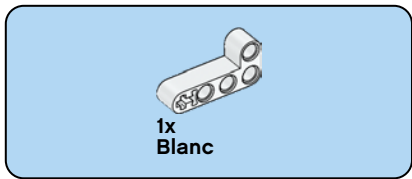
2x
Blanc

14

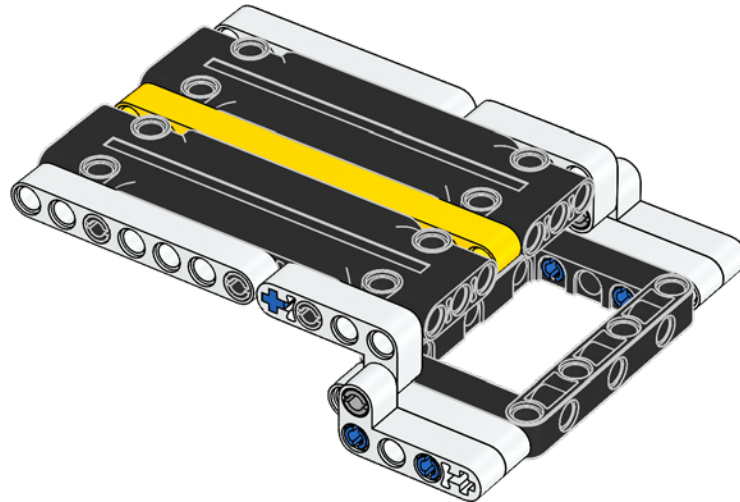


15



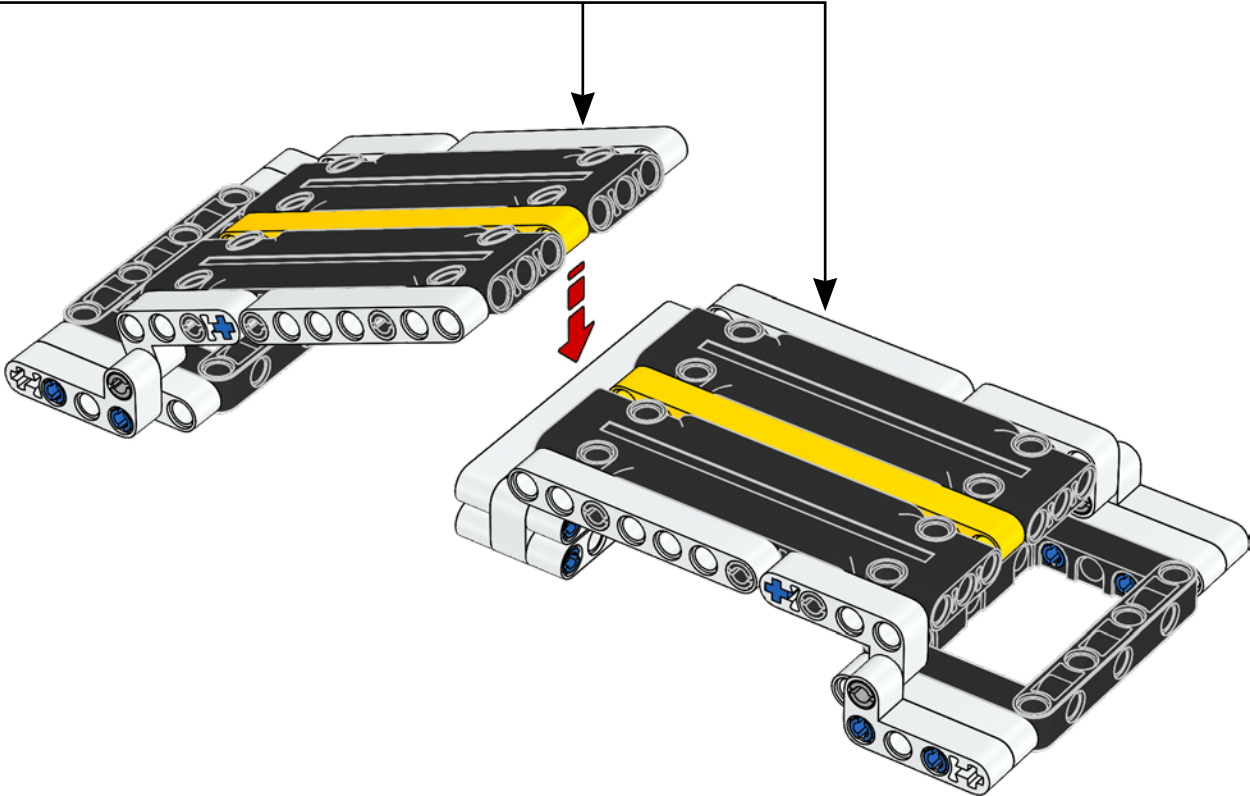


16



2x

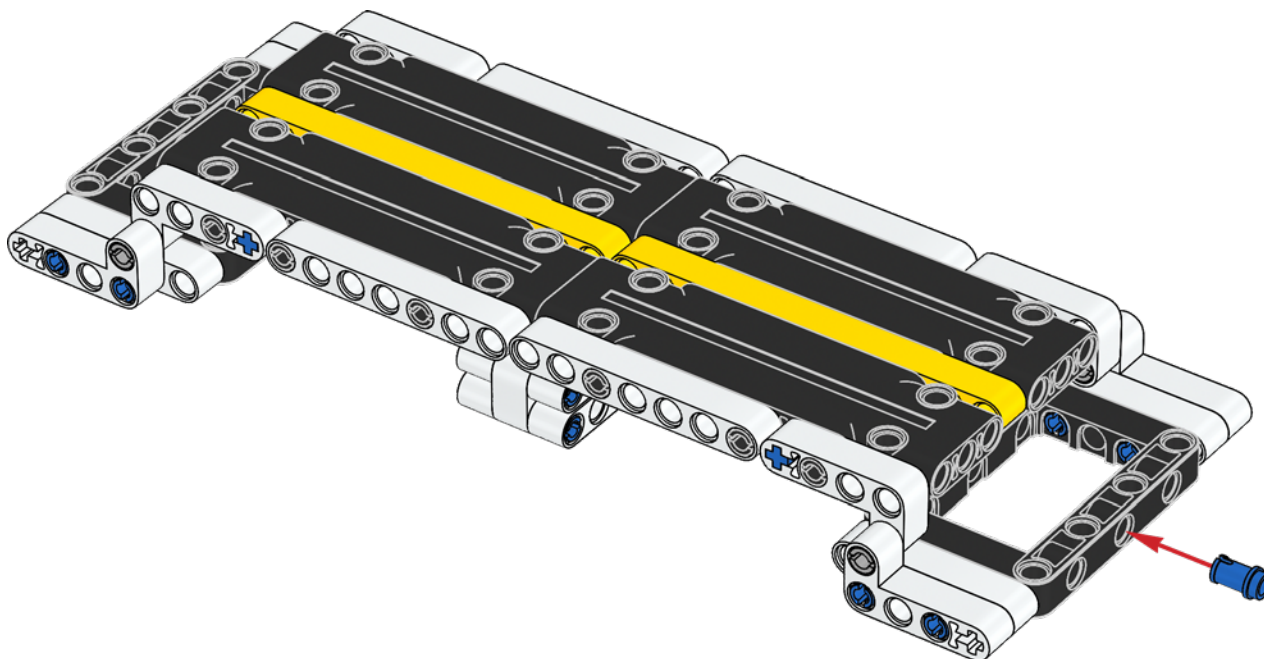
17

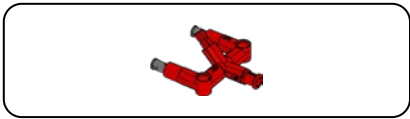


1x
Bleu

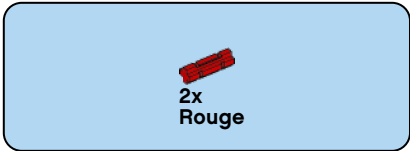
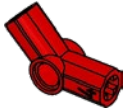
11

18

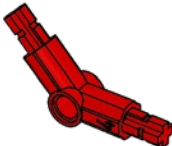


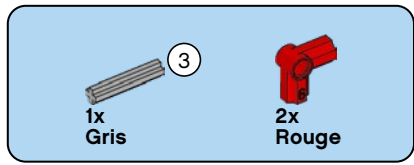


19

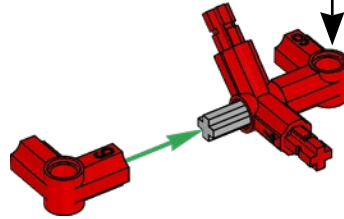
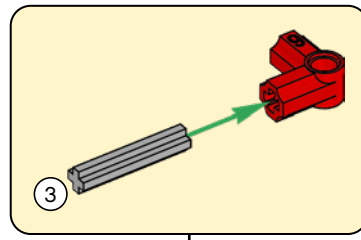


20

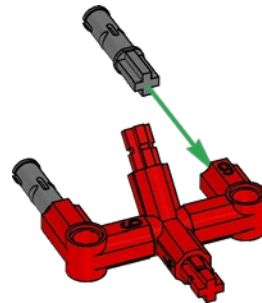




21

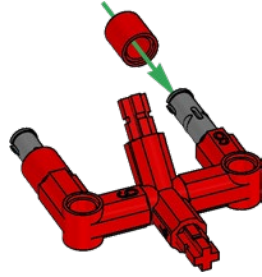


22



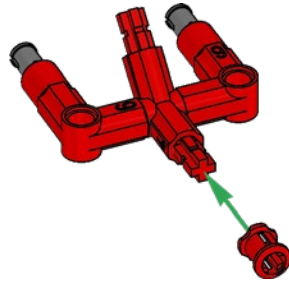
2x
Rouge

23

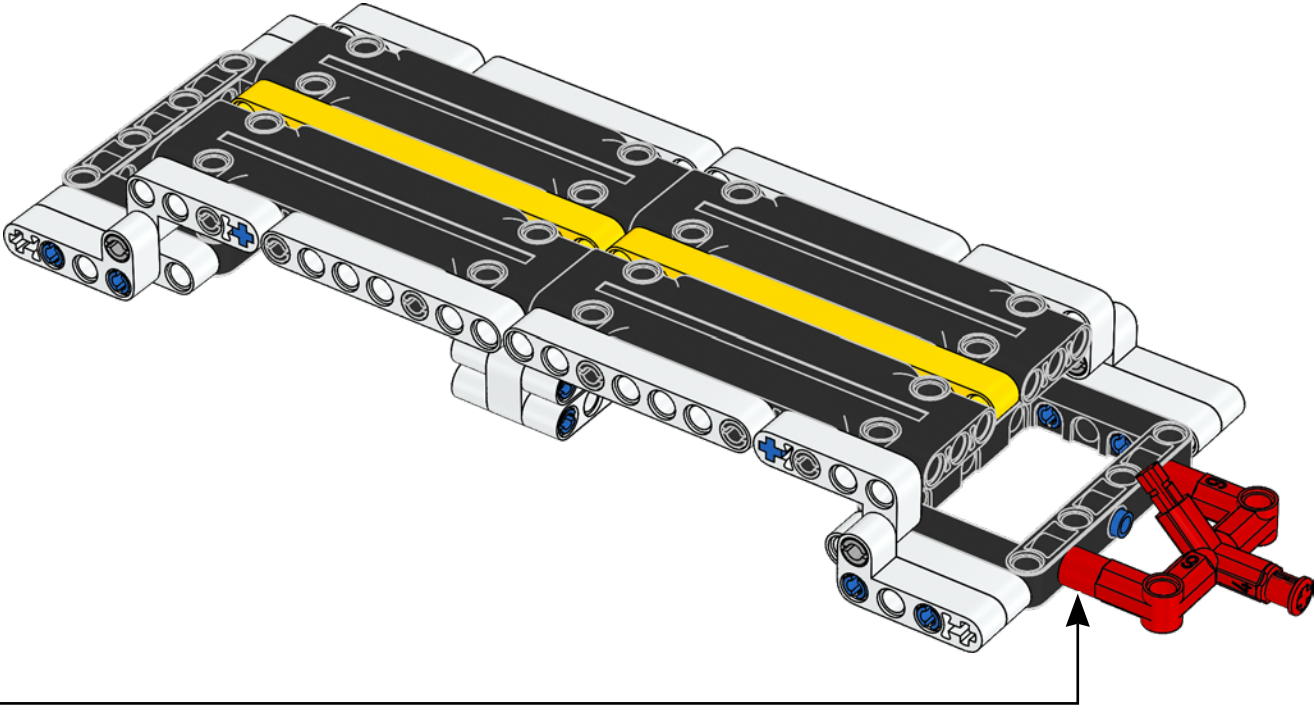


1x
Rouge

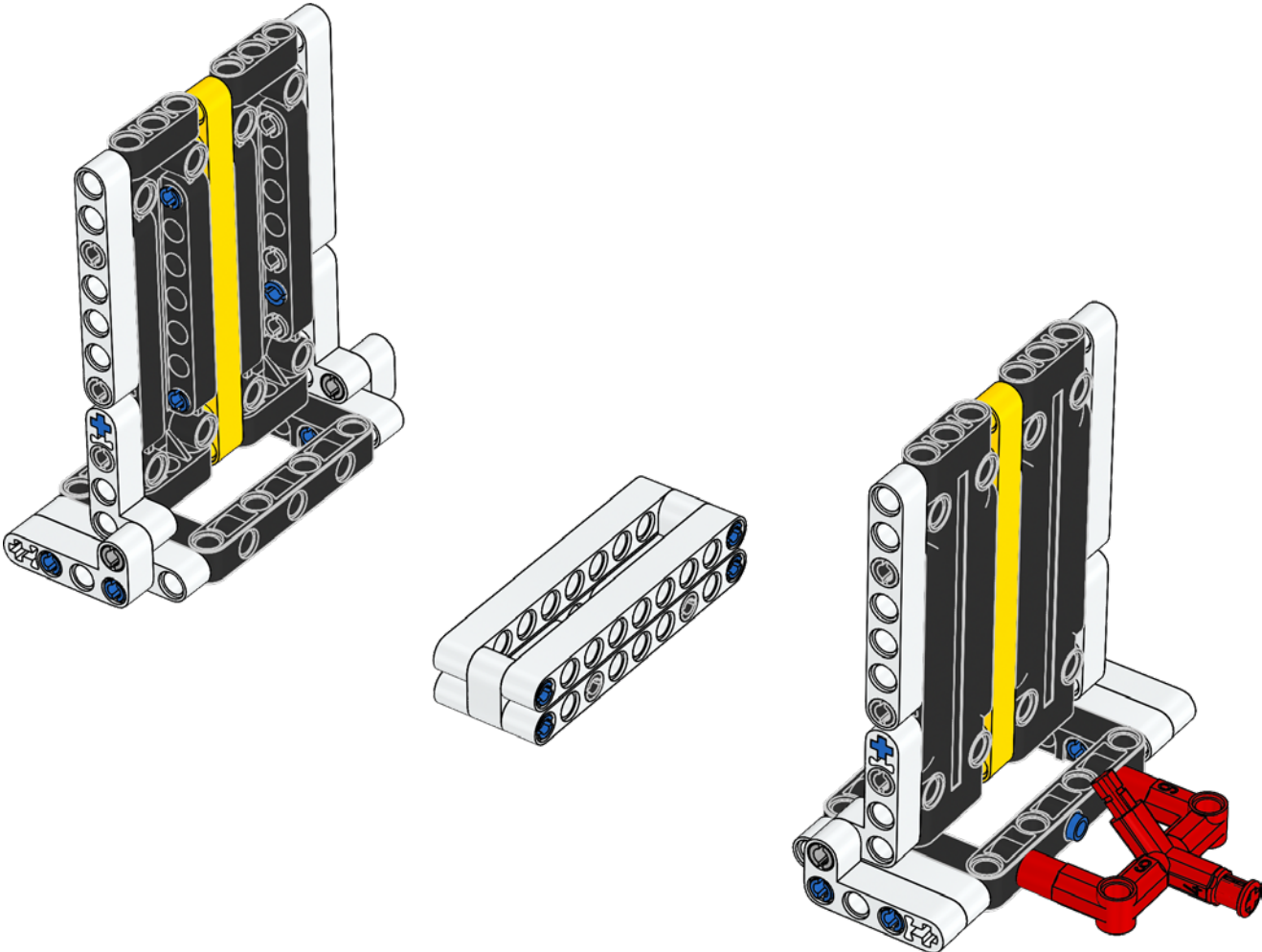
24



25



26



LEGO and the LEGO logo are trademarks of the/son des marques de commerce du/son marcas registradas de LEGO Group. ©2021 The LEGO Group. All rights reserved/Tous droits réservés/Todos los derechos reservados.

FIRST® is a registered trademark of For Inspiration and Recognition of Science and Technology (FIRST). LEGO® is a registered trademark of the LEGO Group. FIRST® LEGO® League and CARGO CONNECT™ are jointly held trademarks of FIRST and the LEGO Group.

©2021 FIRST and the LEGO Group. All rights reserved.