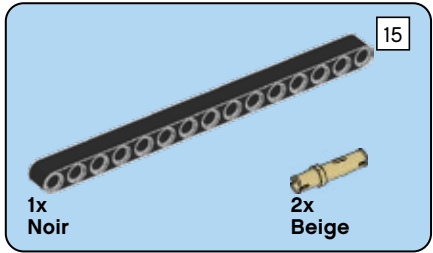
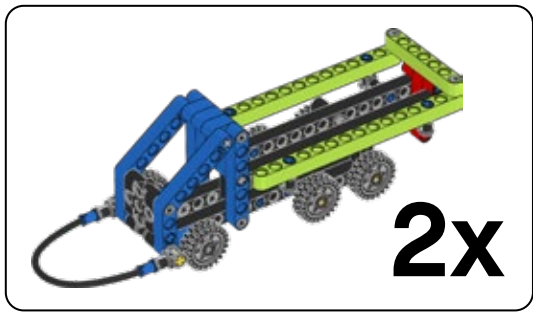
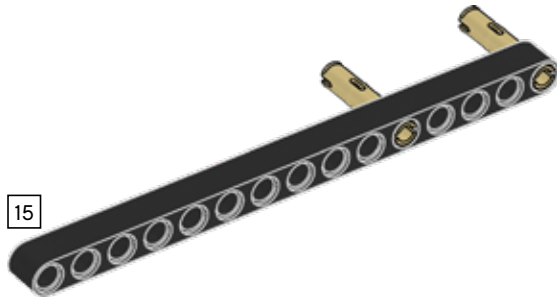
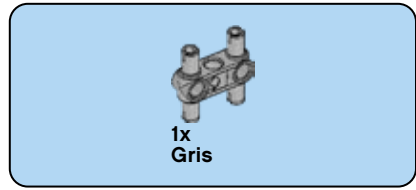


45816



1

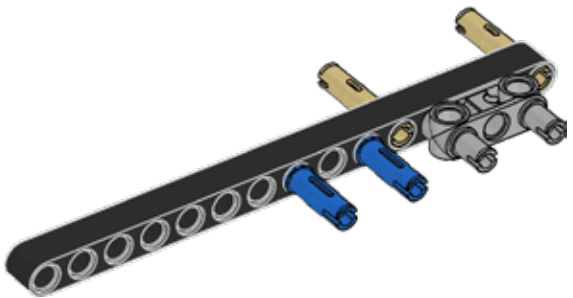


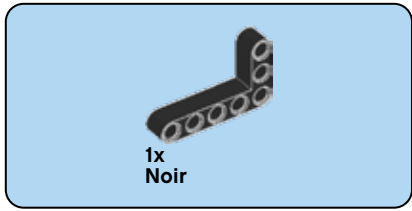


2

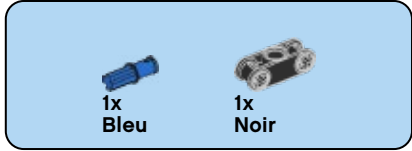
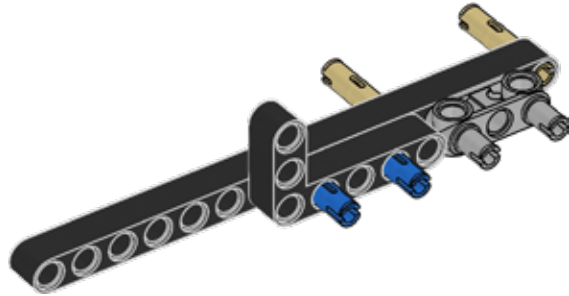


3

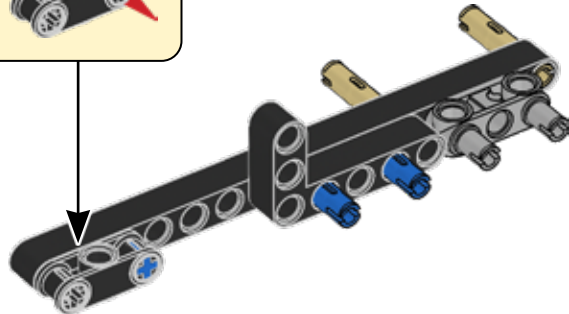
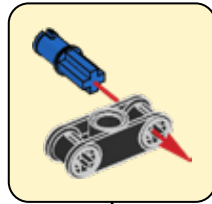


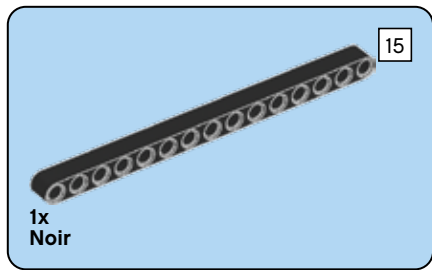


4

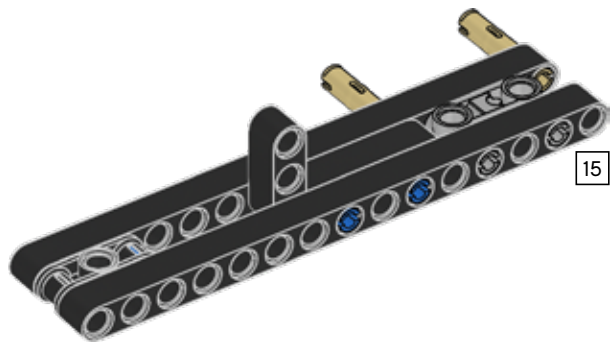


5

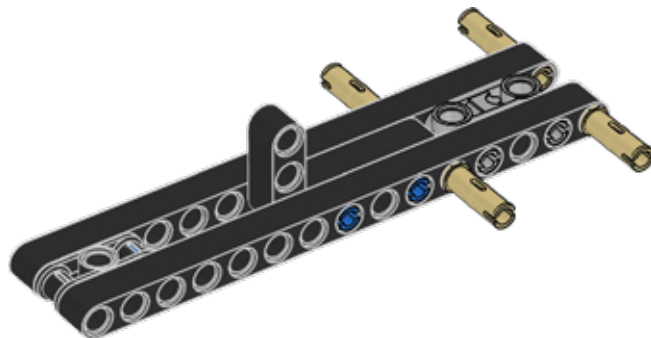


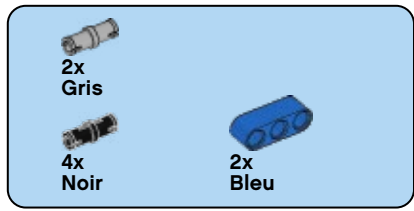


6

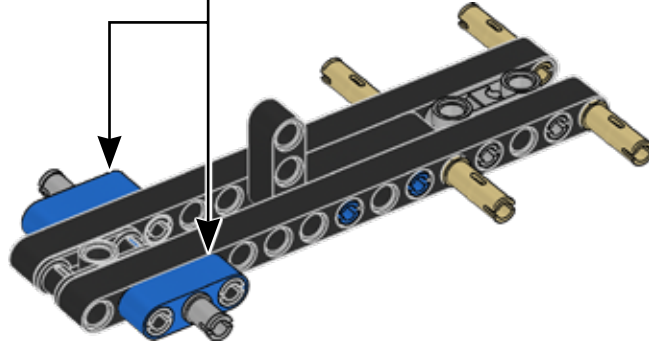
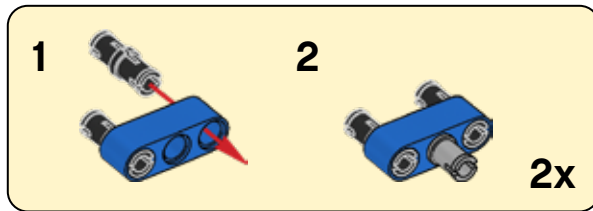


7

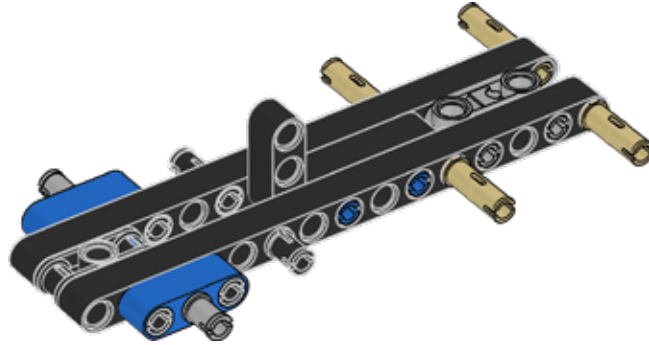


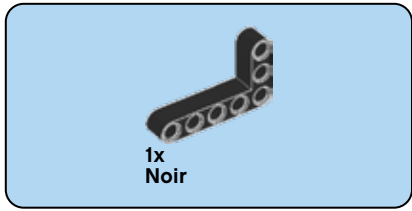


8

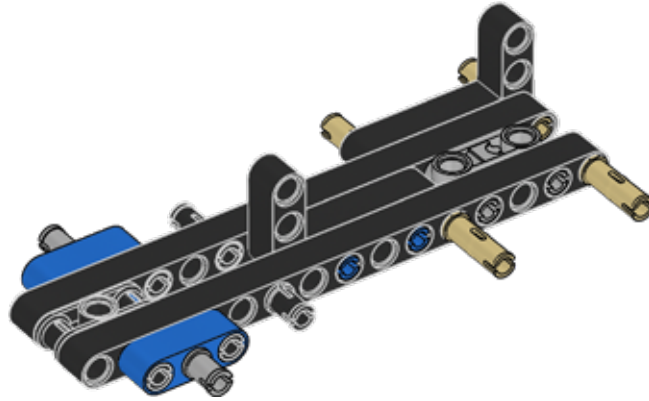


9

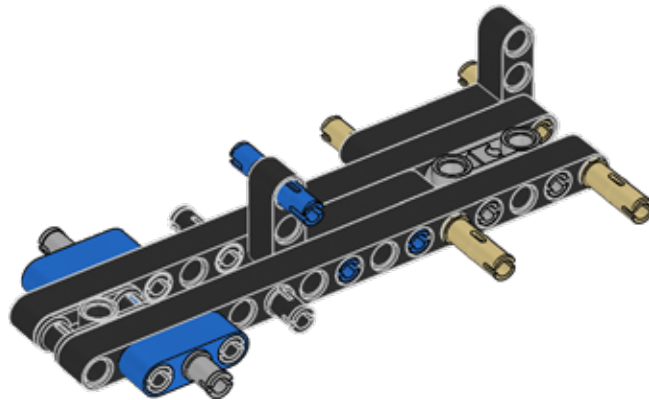


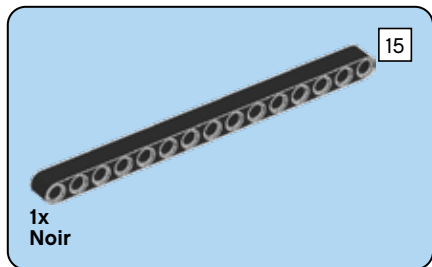


10

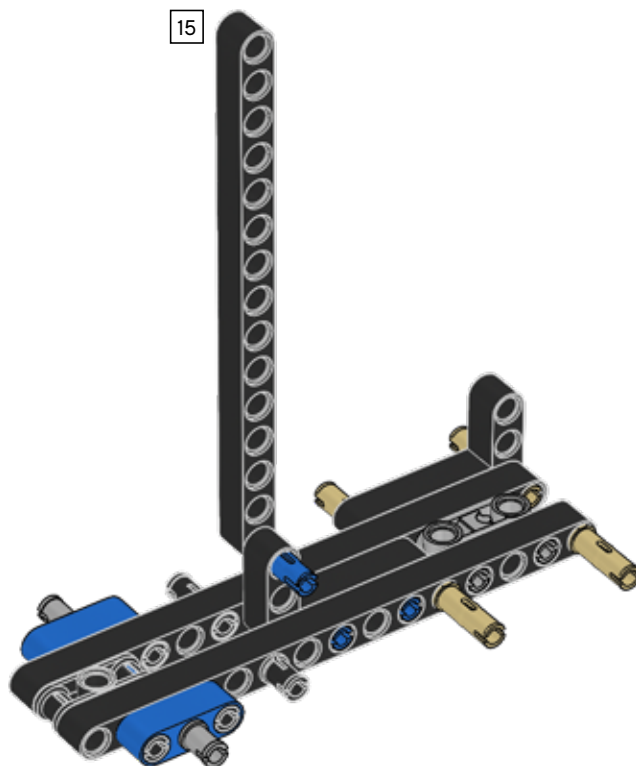


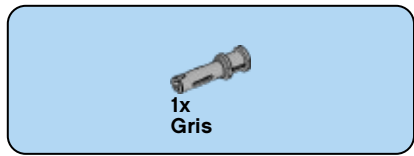
11



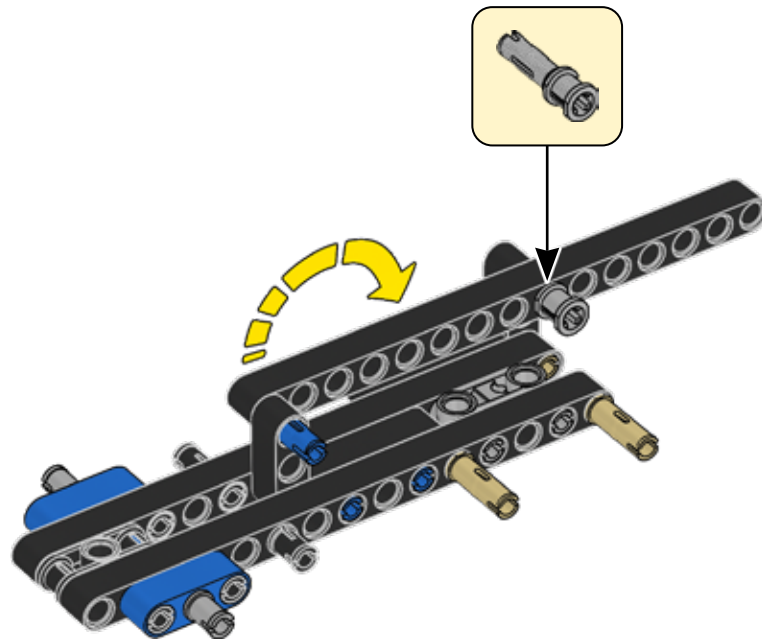


12





13

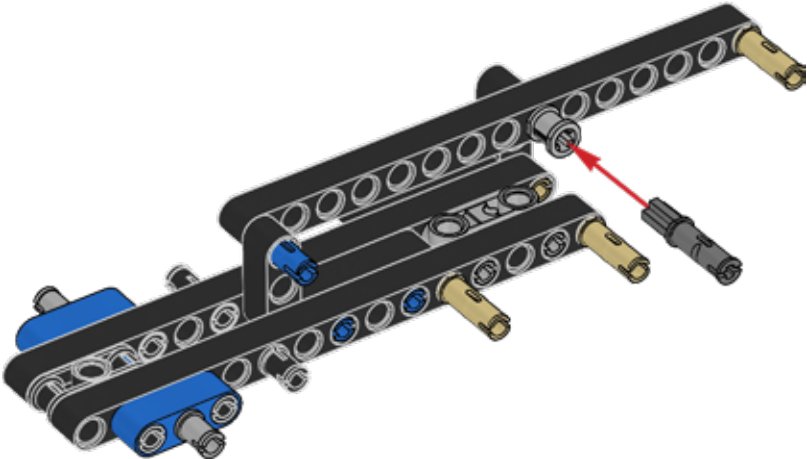


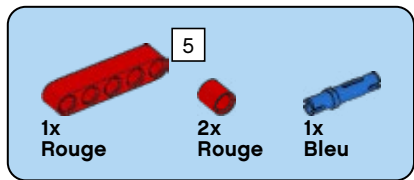
1x
Gris foncé

1x
Beige

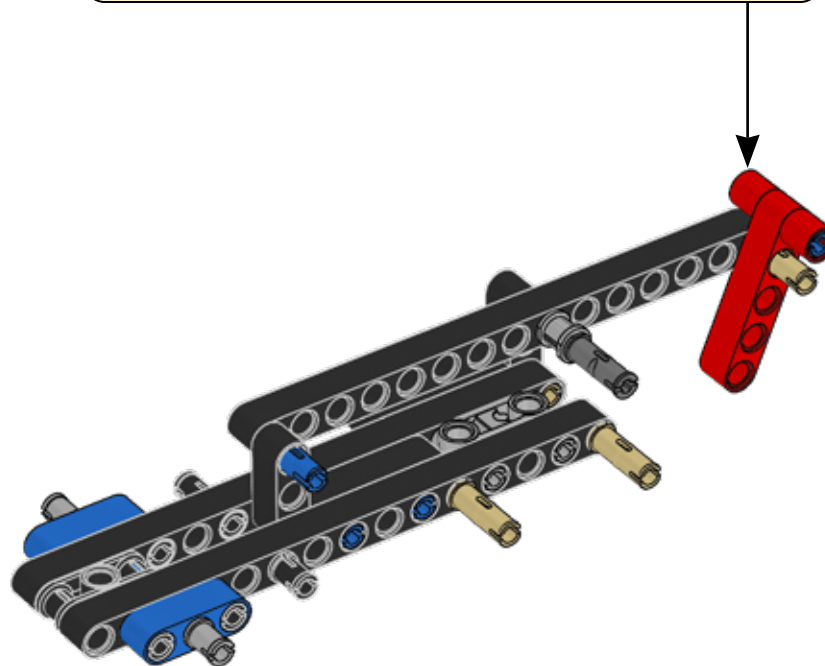
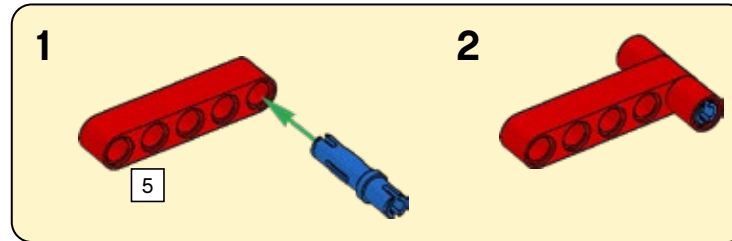


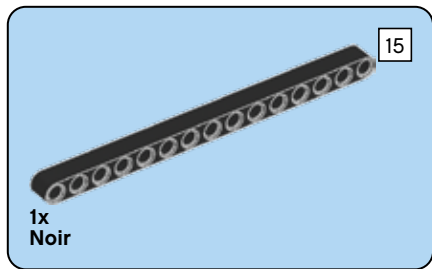
14



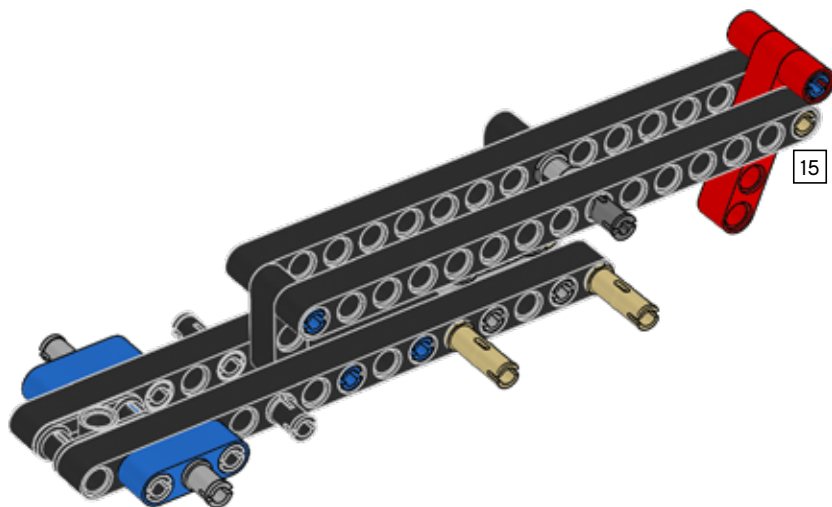


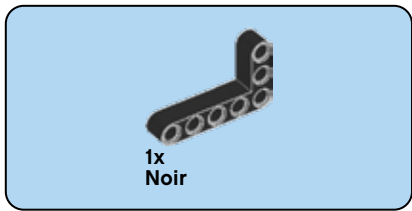
15



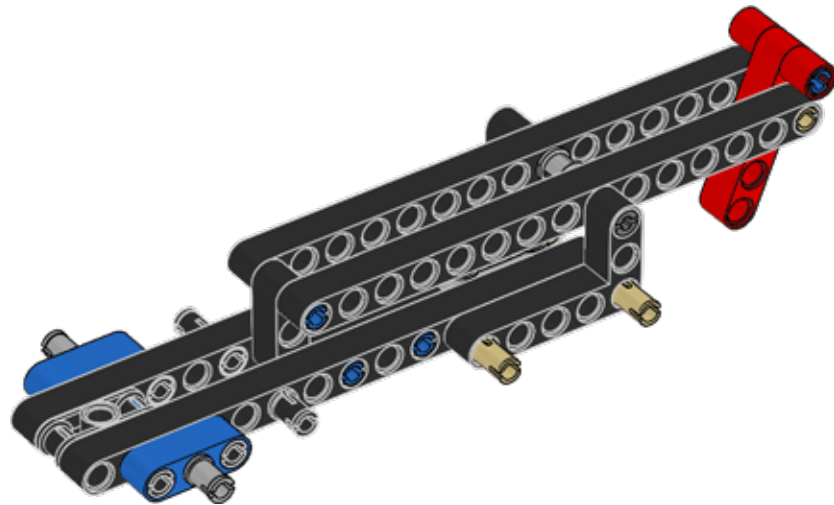


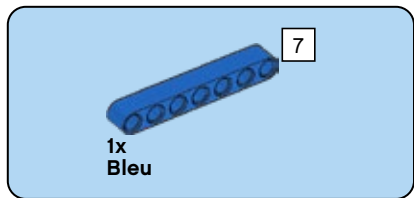
16



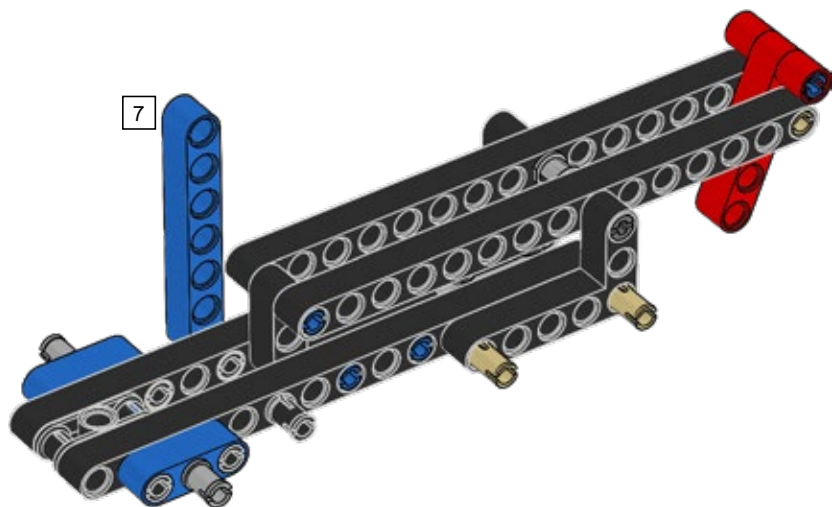


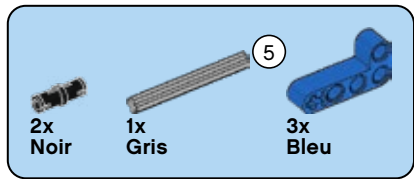
17



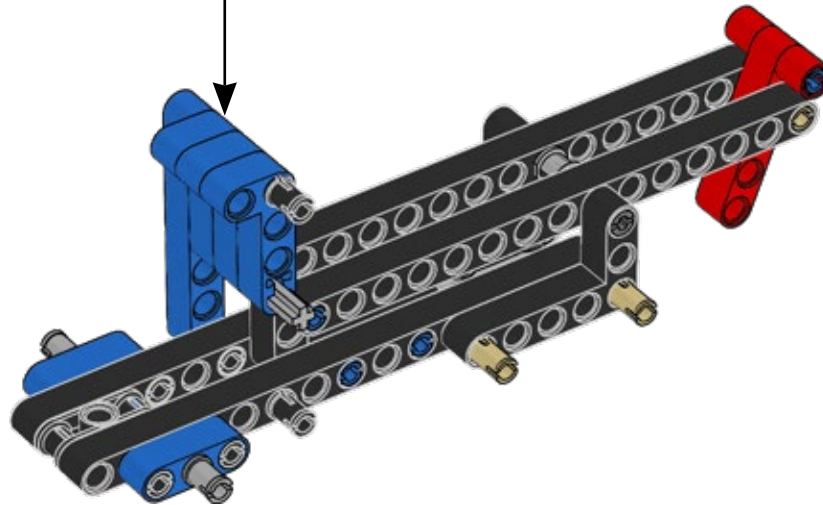
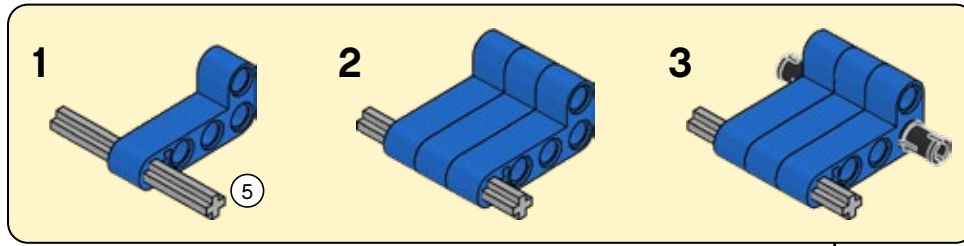


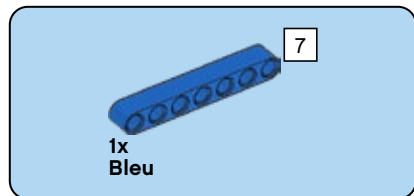
18



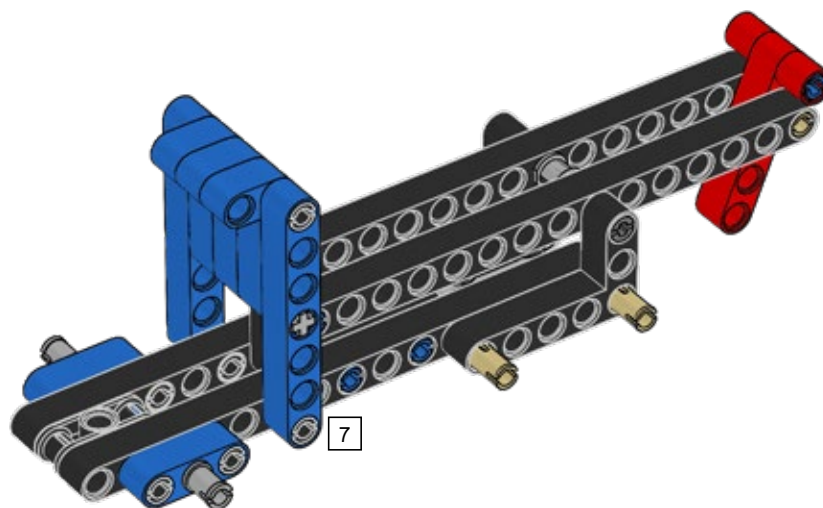


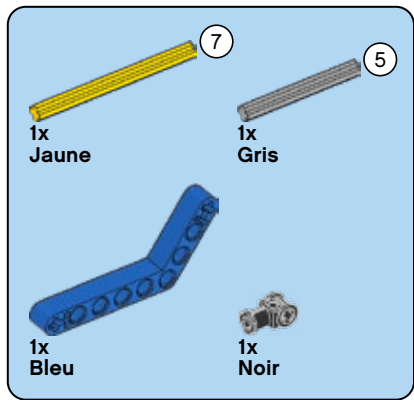
19



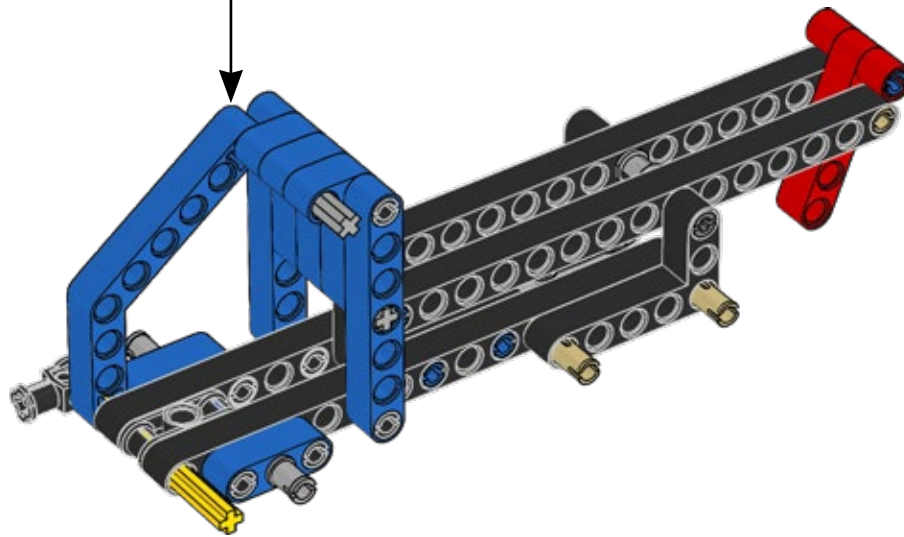
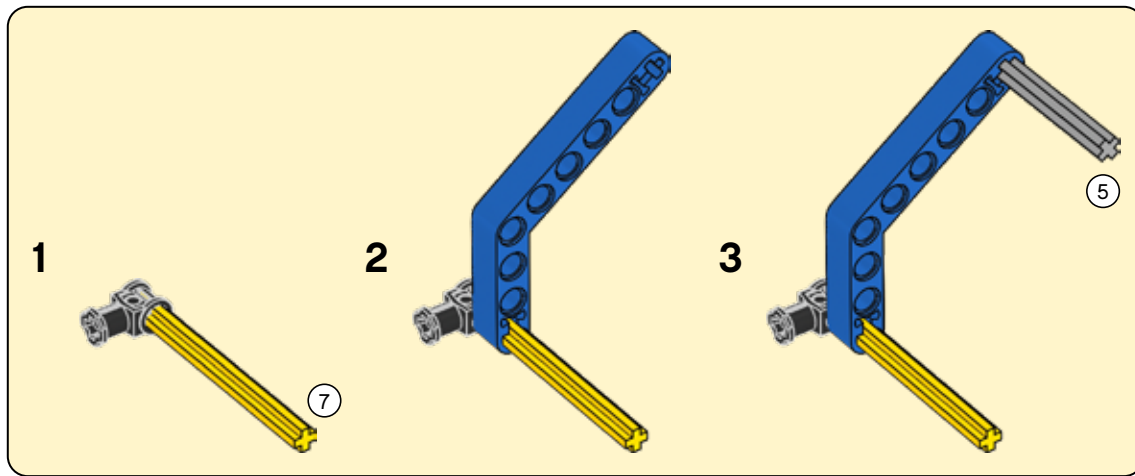


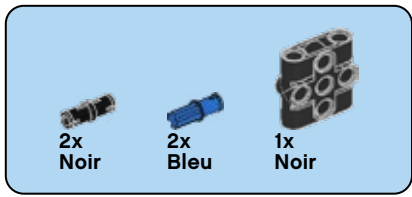
20



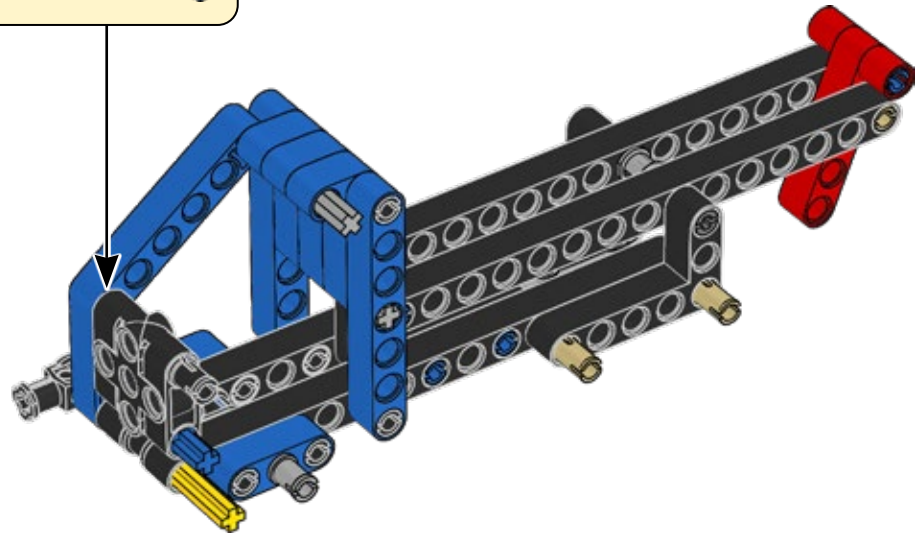
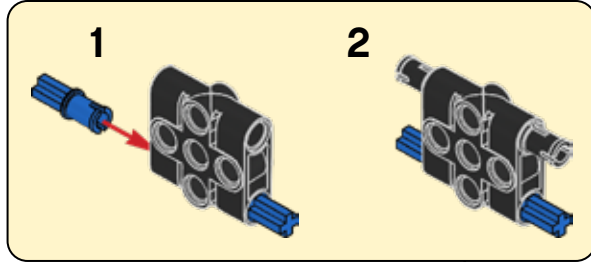


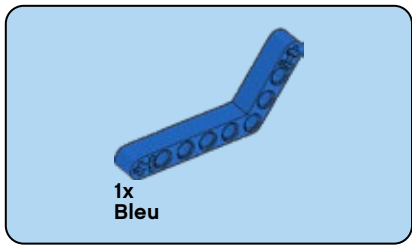
21



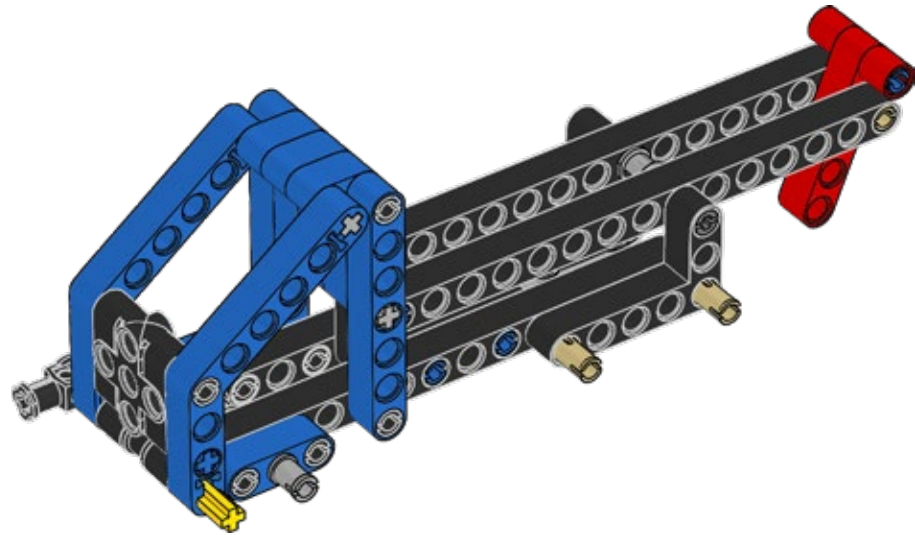


22





23

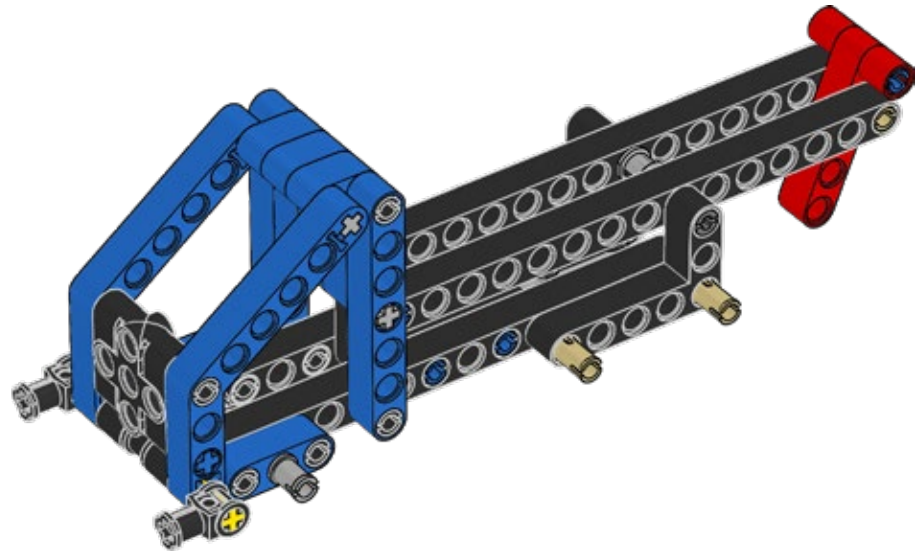




1x
Noir



24



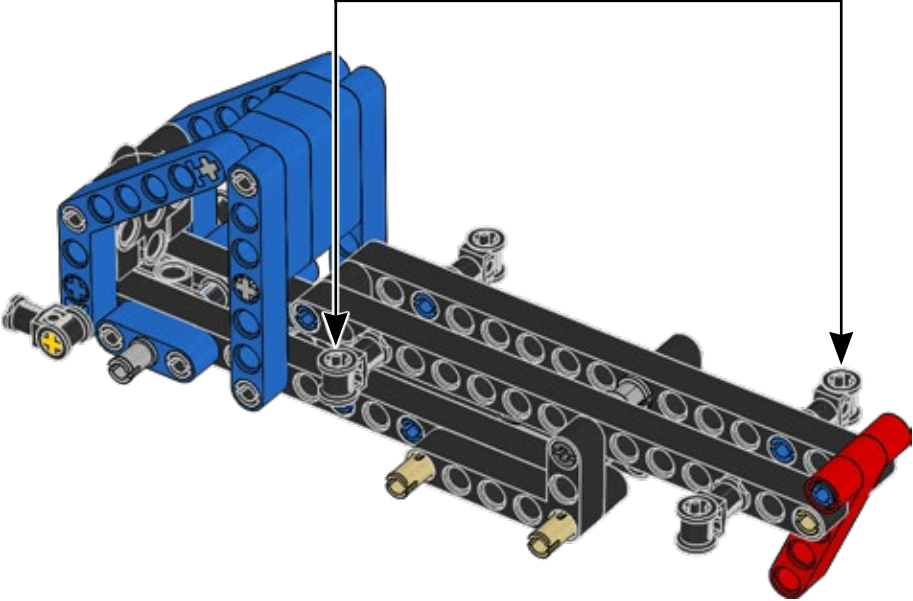
4x
Bleu

4x
Noir



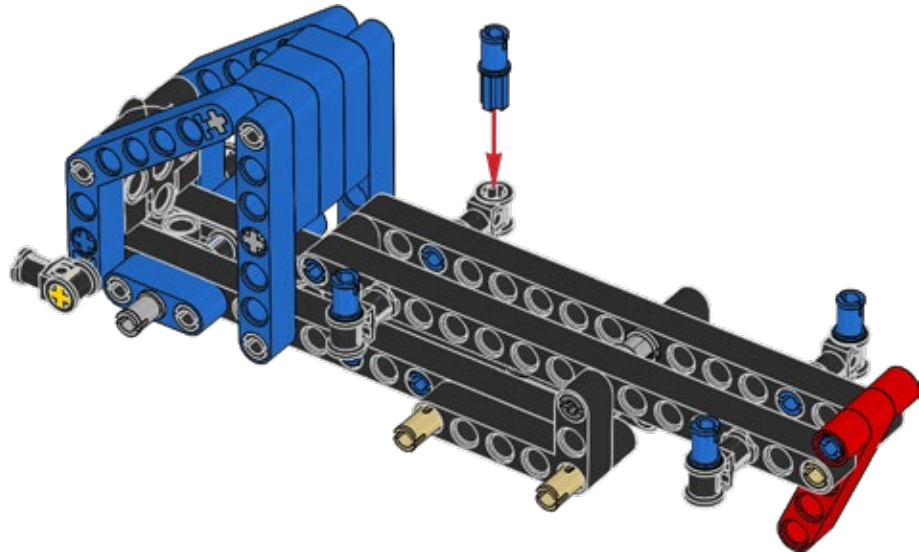
25

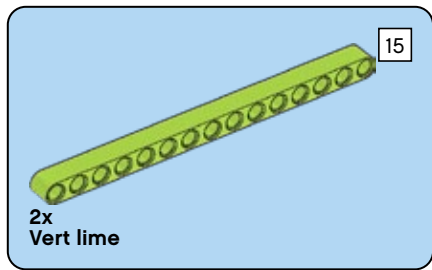
4x



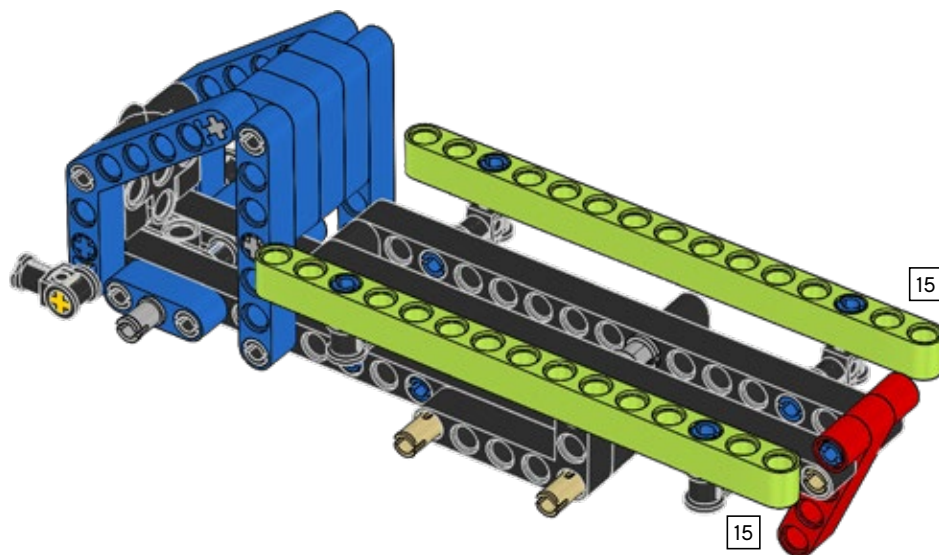
4x
Bleu

26





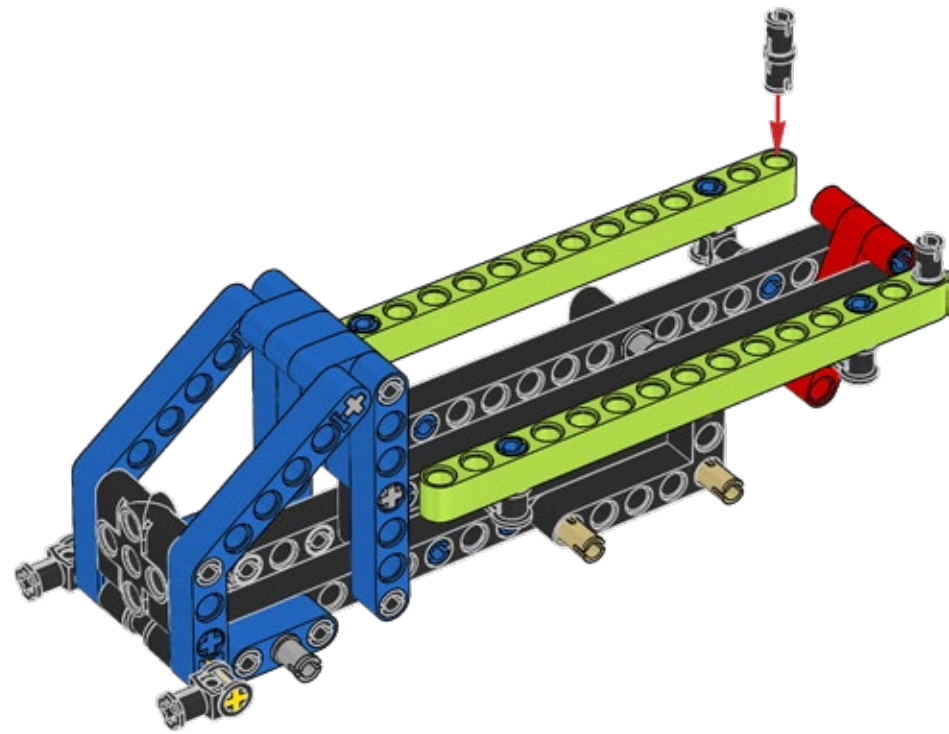
27

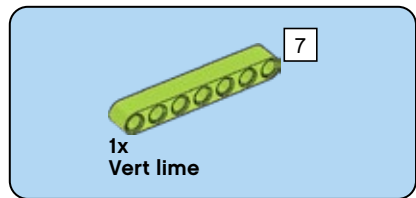


2x
Noir

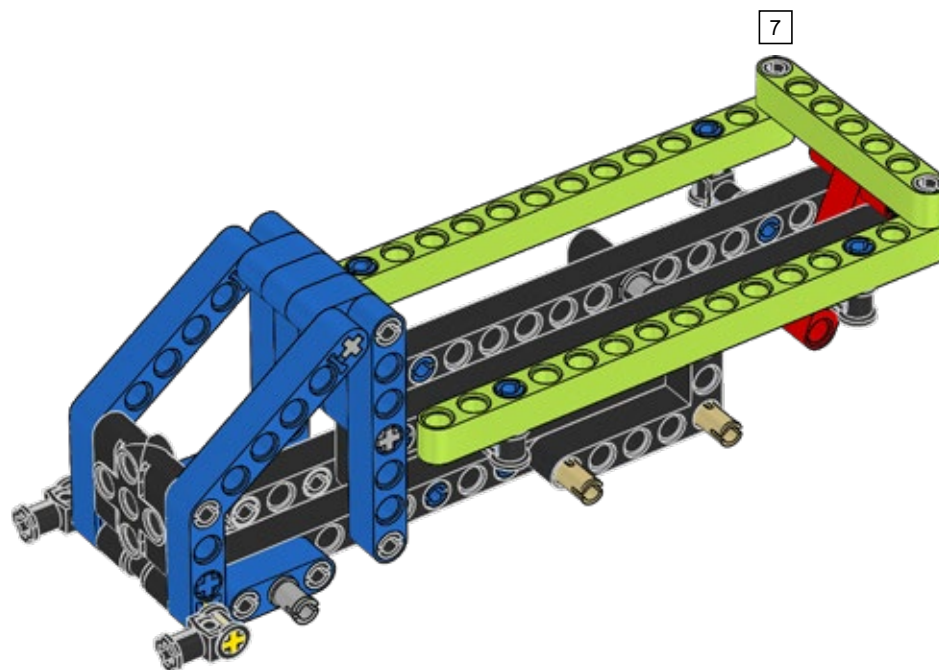


28



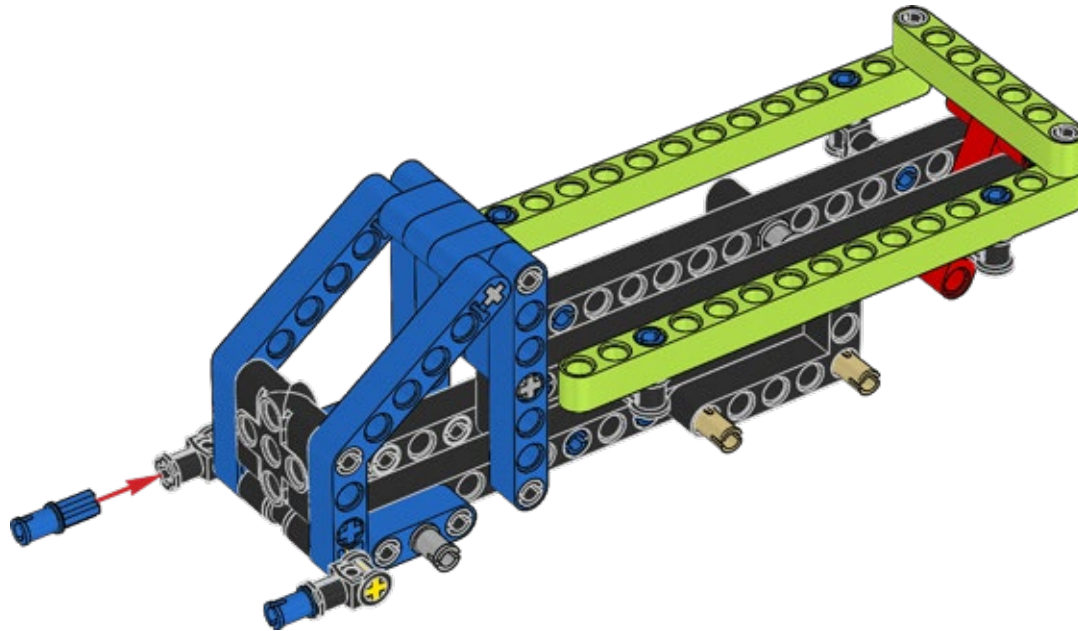


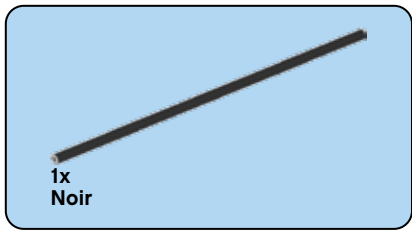
29



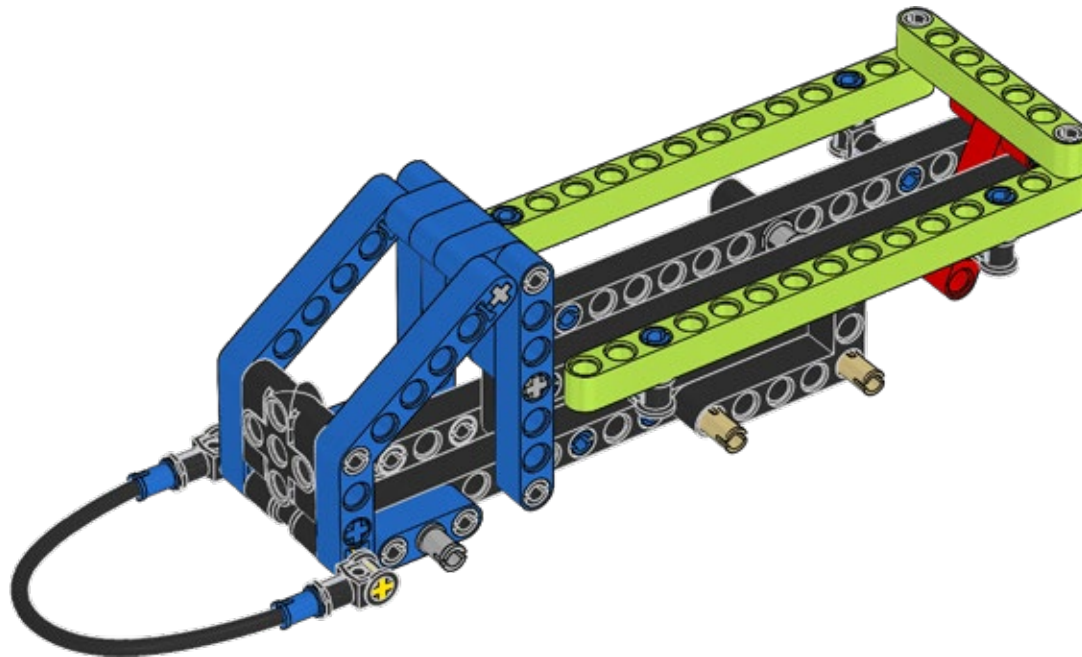
2x
Bleu

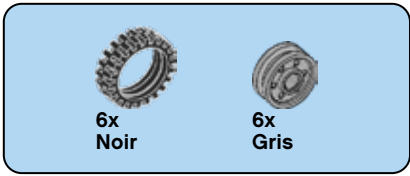
30



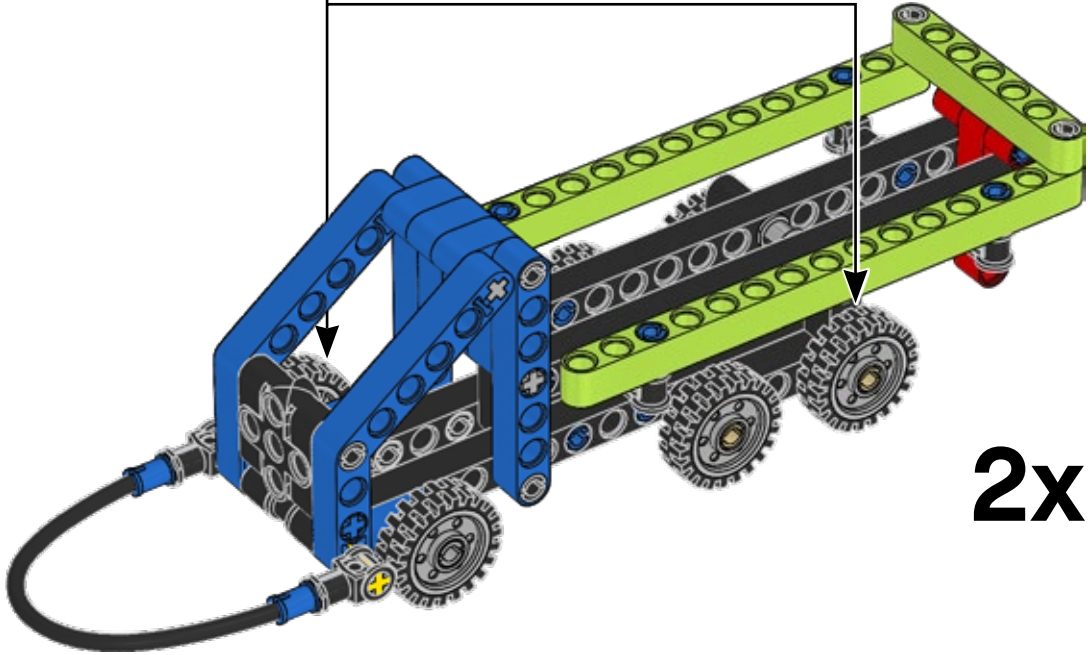
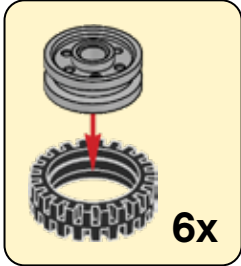


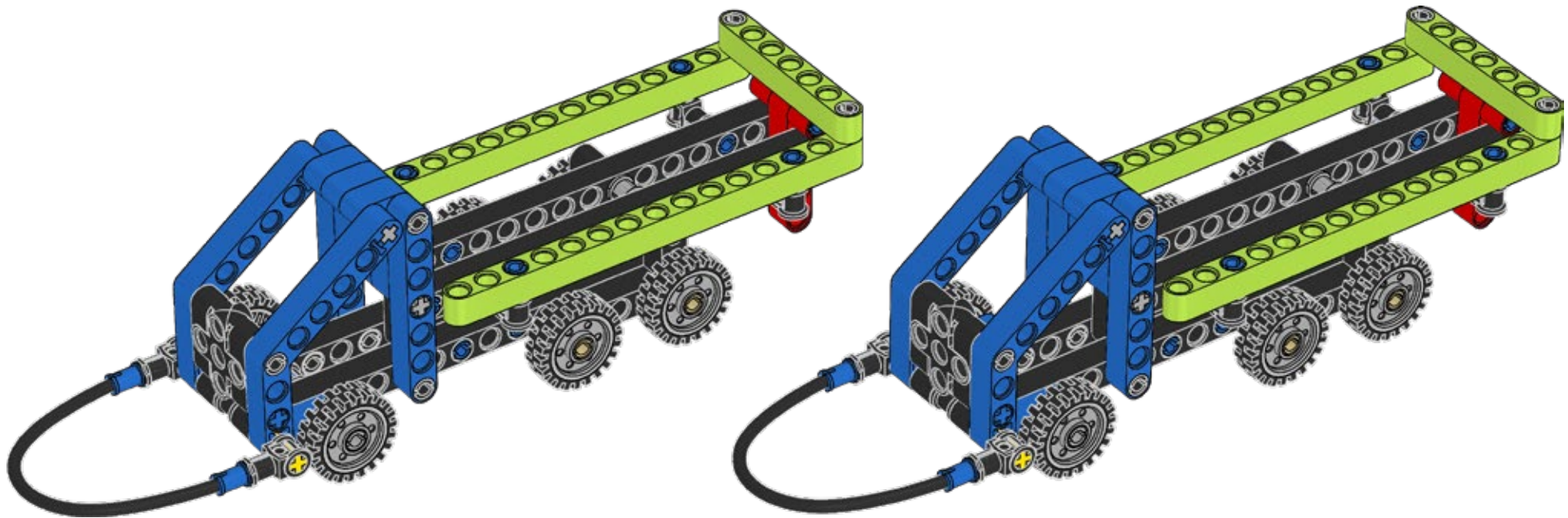
31





32





LEGO and the LEGO logo are trademarks of the/son des marques de commerce du/son marcas registradas de LEGO Group. ©2021 The LEGO Group. All rights reserved/Tous droits réservés/Todos los derechos reservados.

FIRST® is a registered trademark of For Inspiration and Recognition of Science and Technology (FIRST). LEGO® is a registered trademark of the LEGO Group. FIRST® LEGO® League and CARGO CONNECT™ are jointly held trademarks of FIRST and the LEGO Group.

©2021 FIRST and the LEGO Group. All rights reserved.