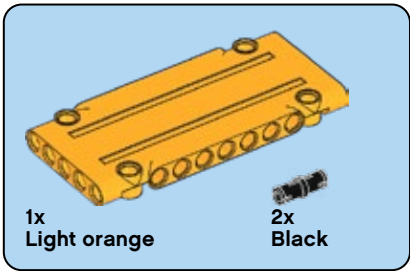
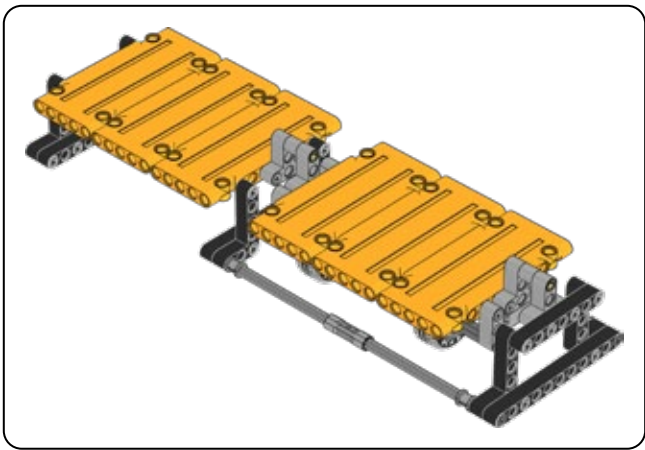
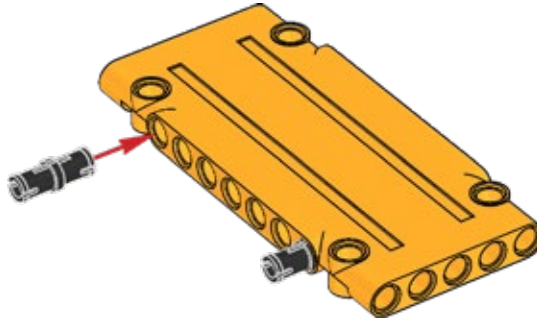


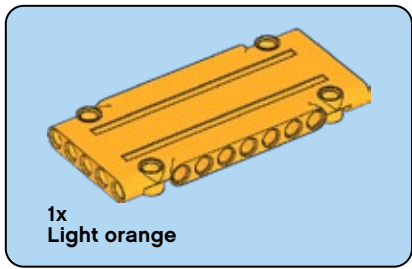
45816



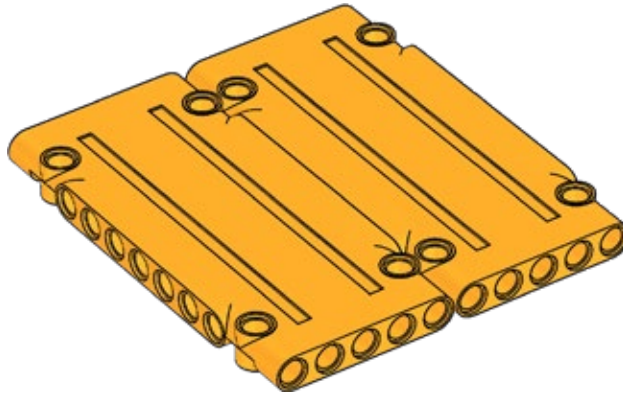


1

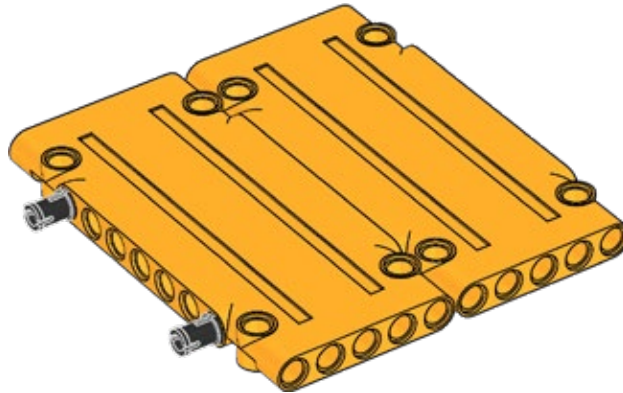


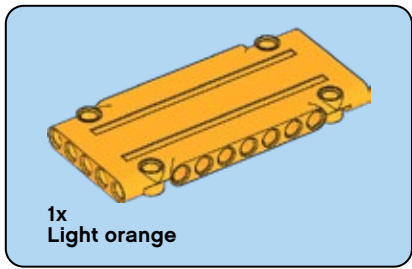


2

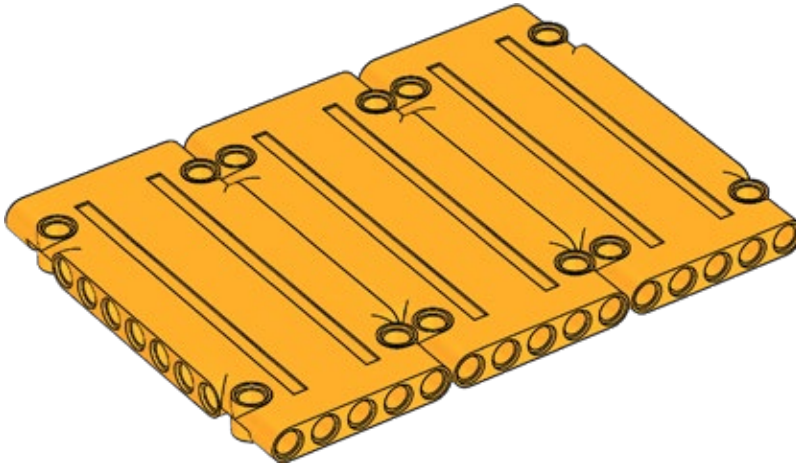


3

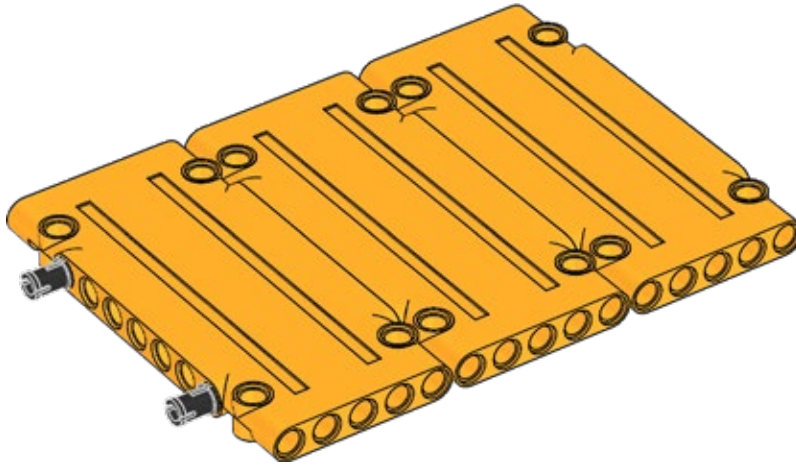


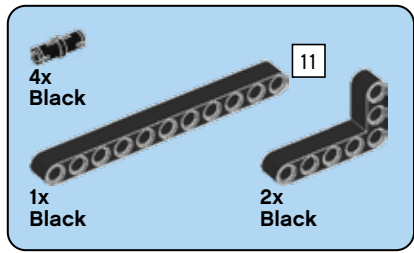


4

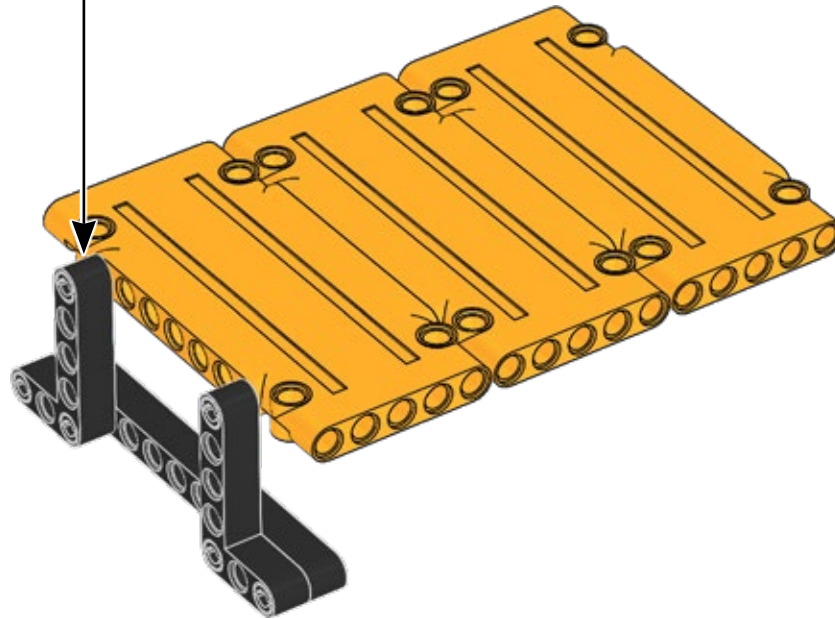
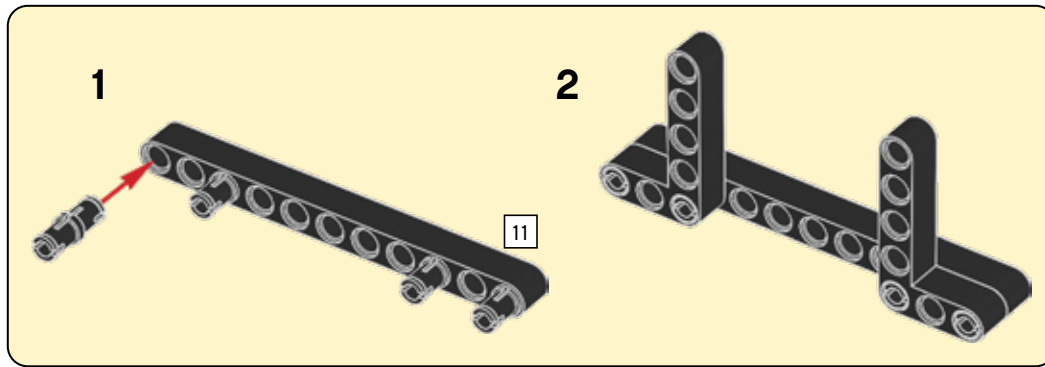


5





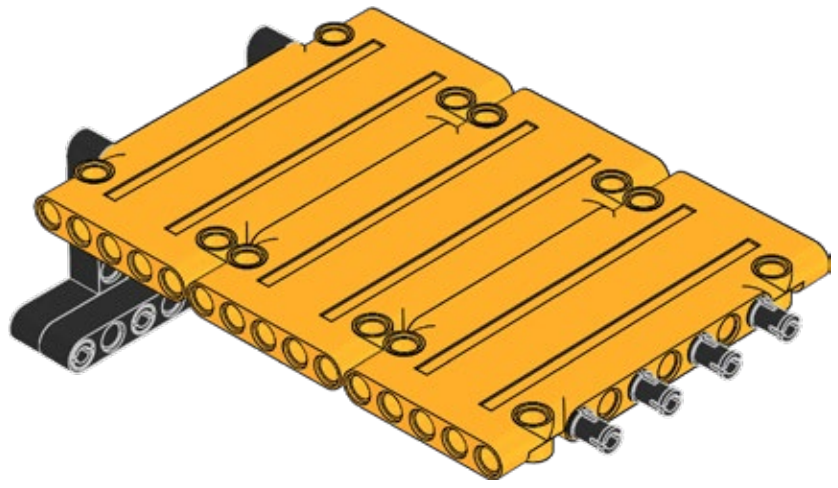
6





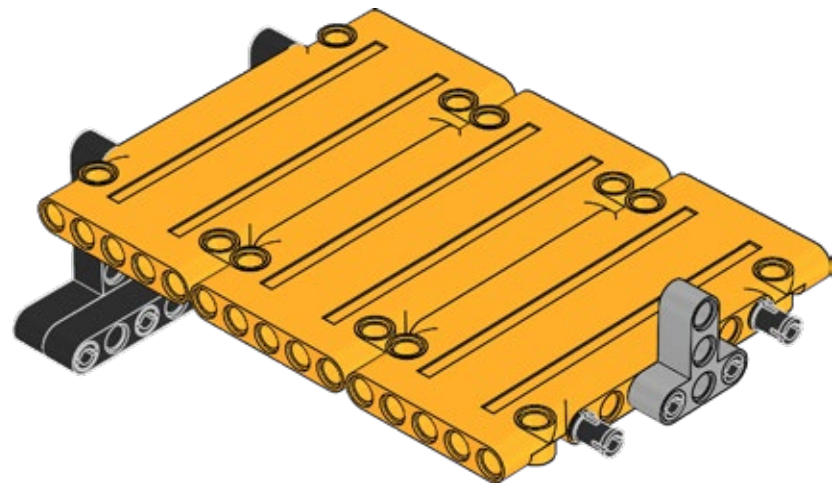
4x
Black

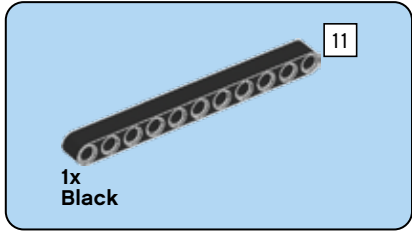
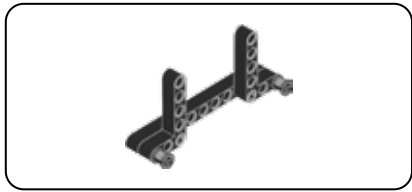
7



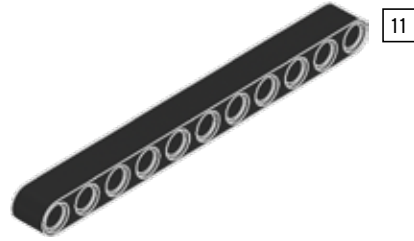
1x
Grey

8

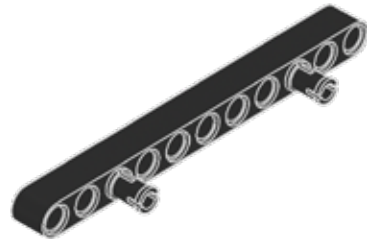


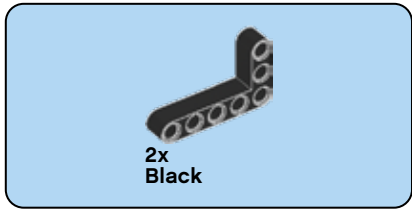


9

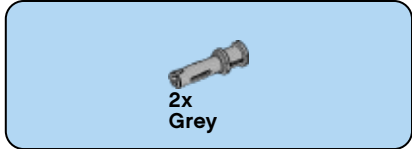
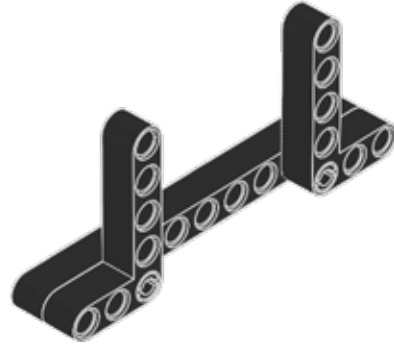


10

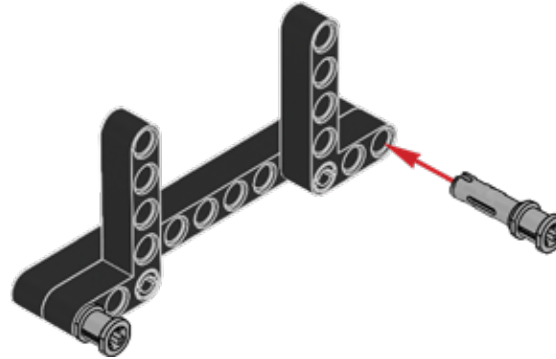


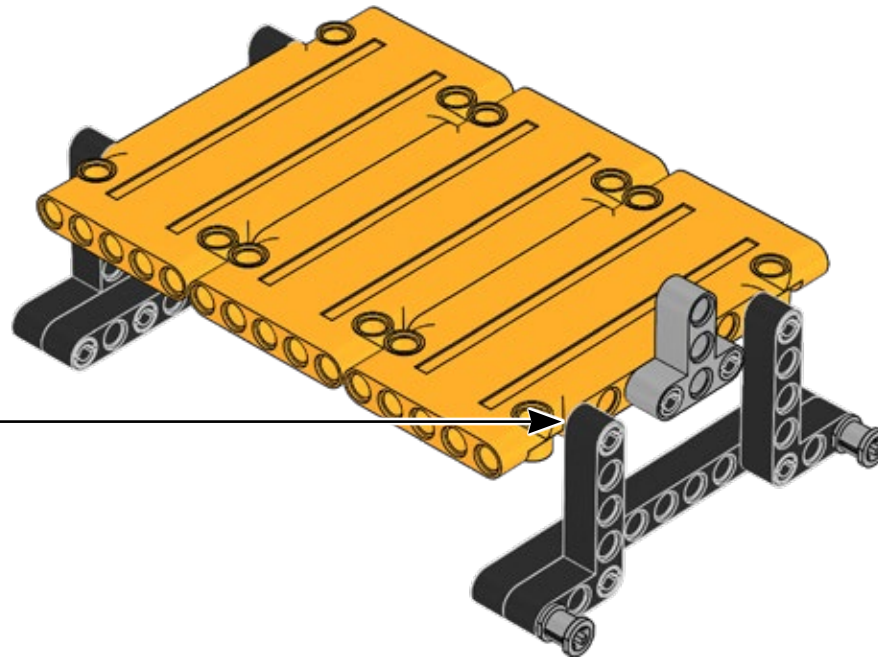


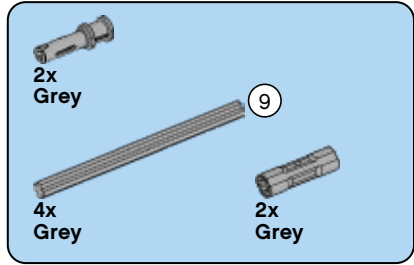
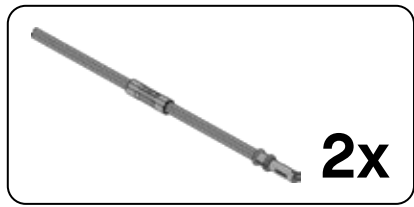
11



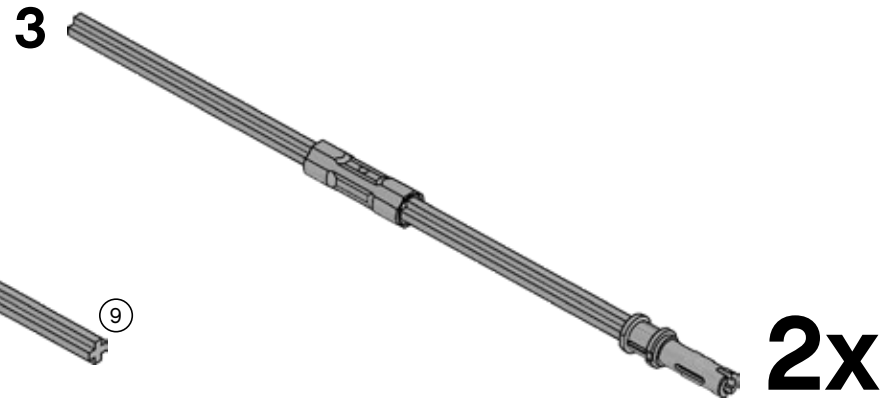
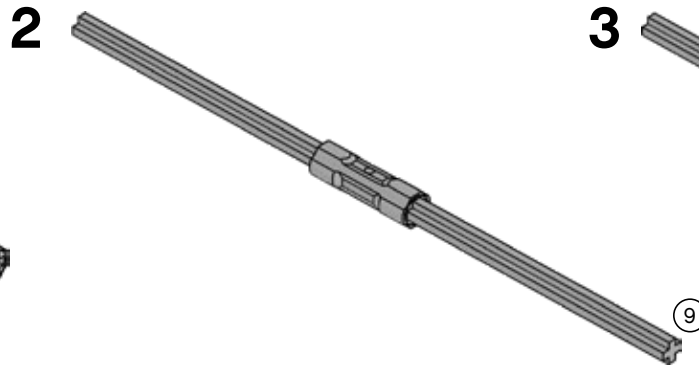
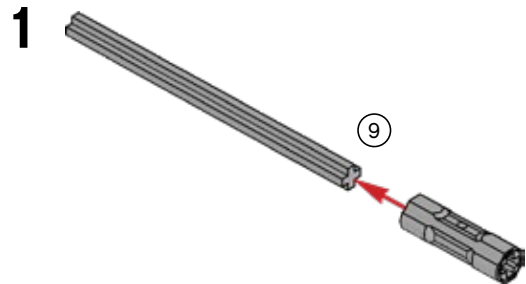
12

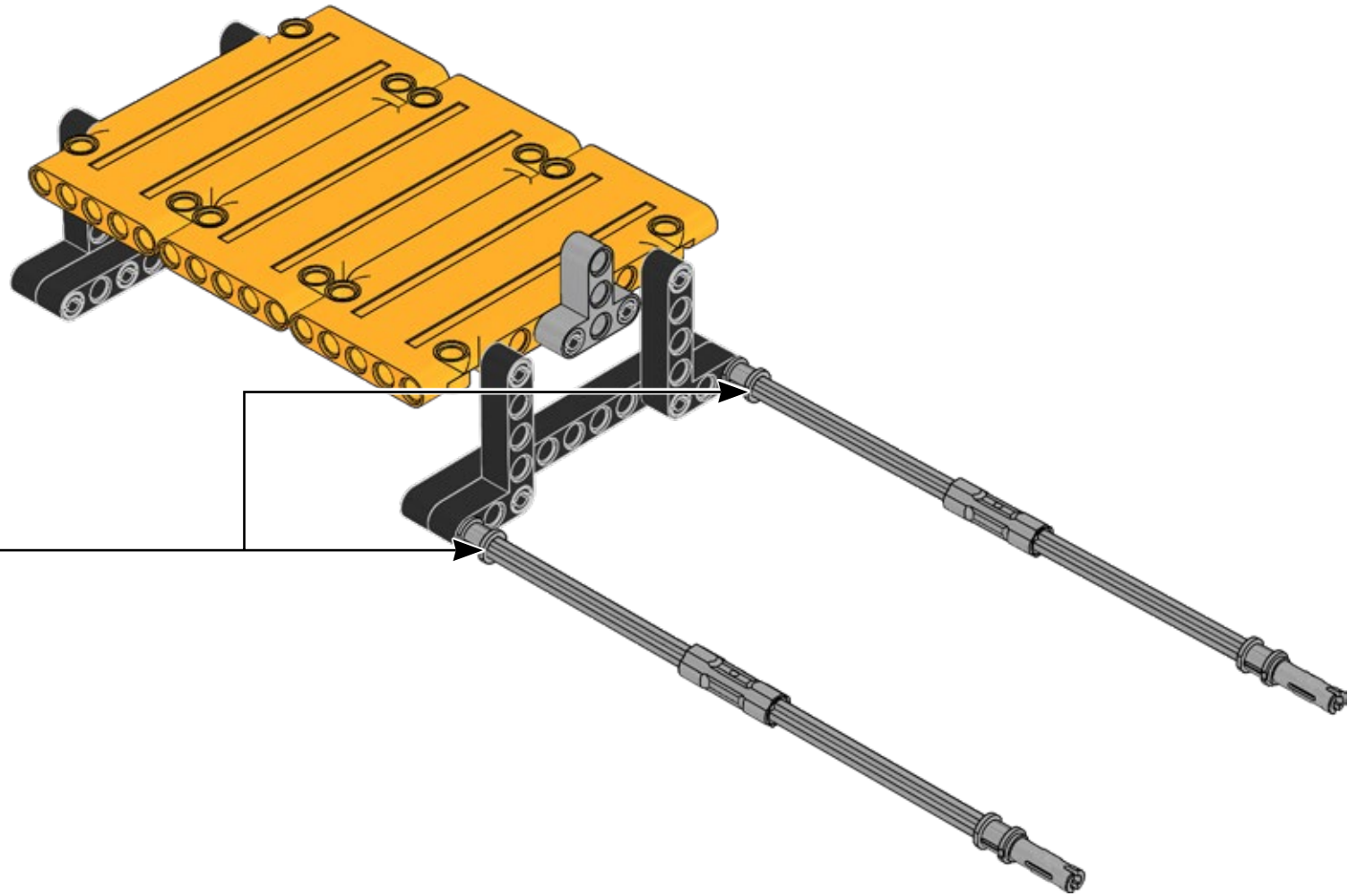


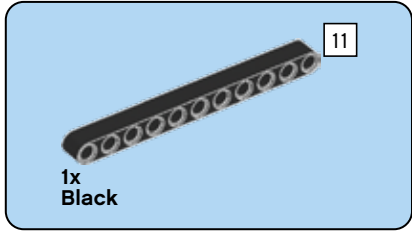
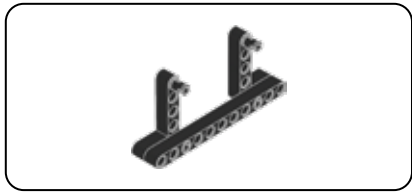




14

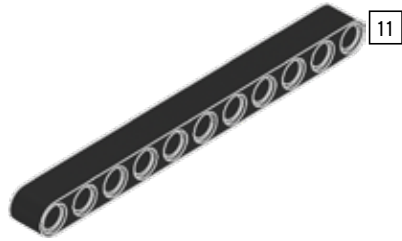






1x
Black

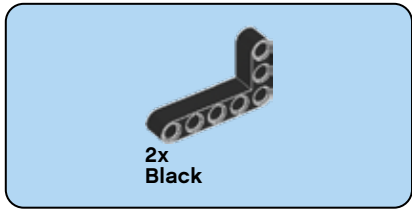
16



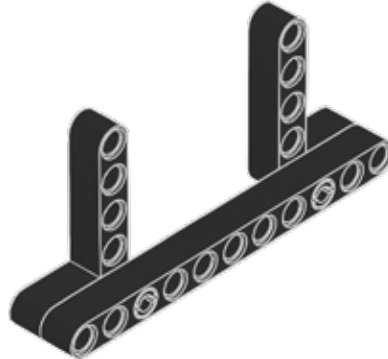
2x
Black

17

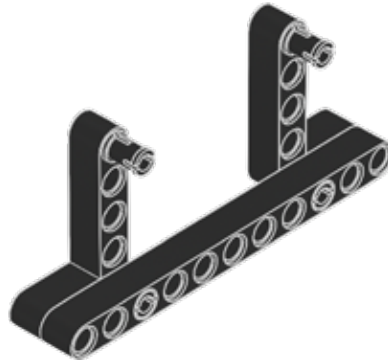


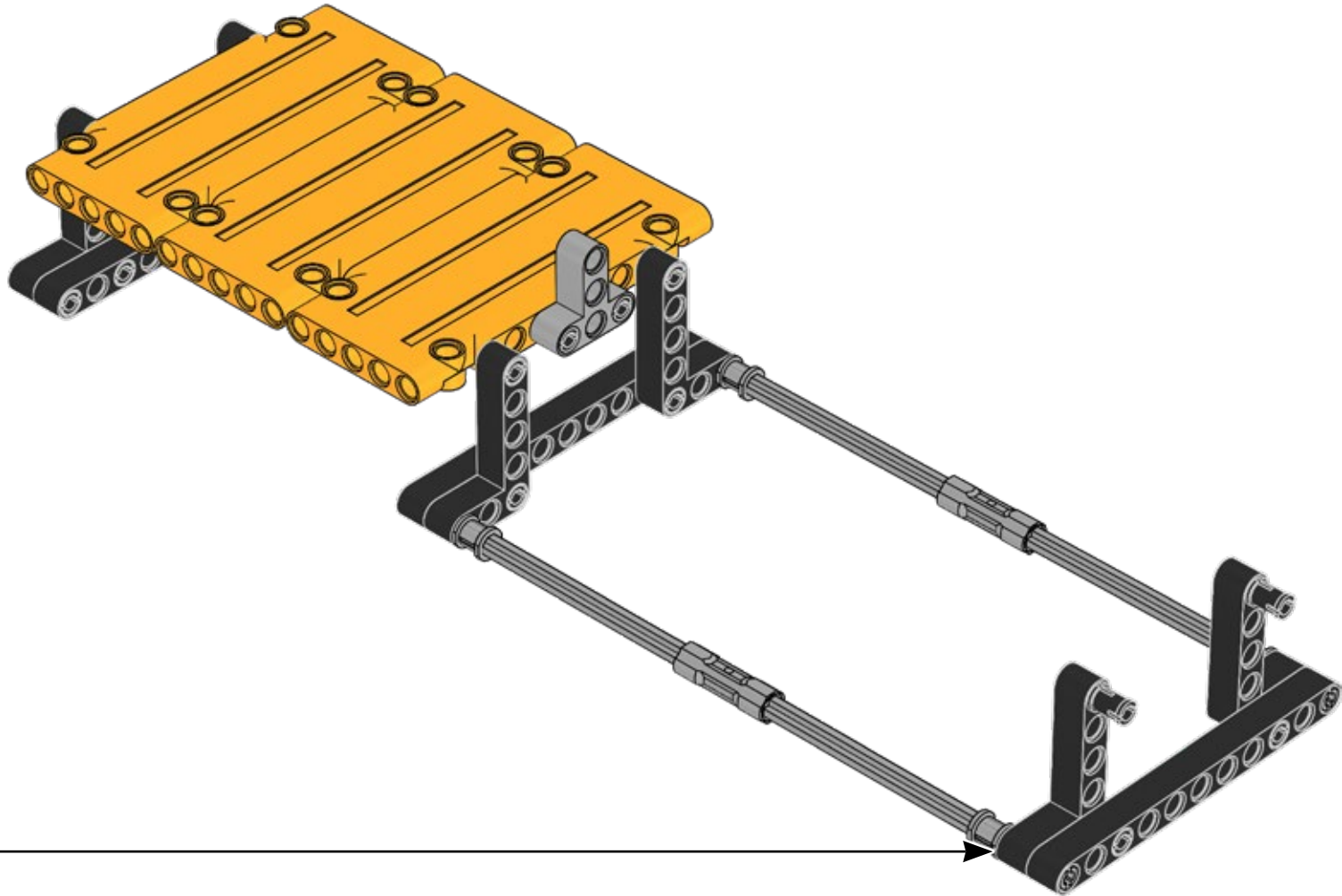


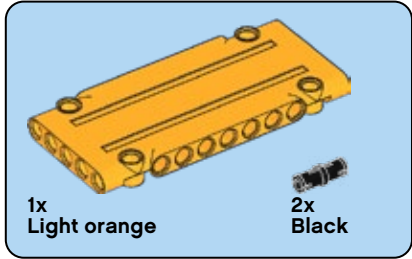
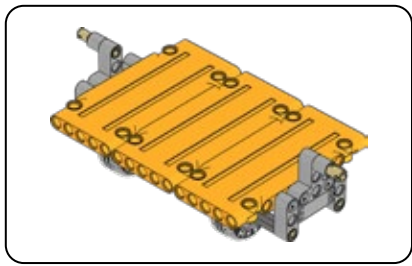
18



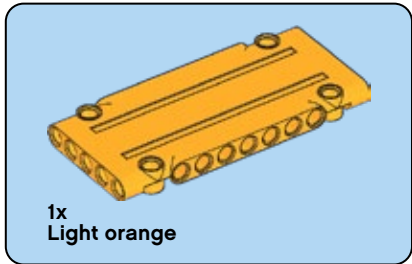
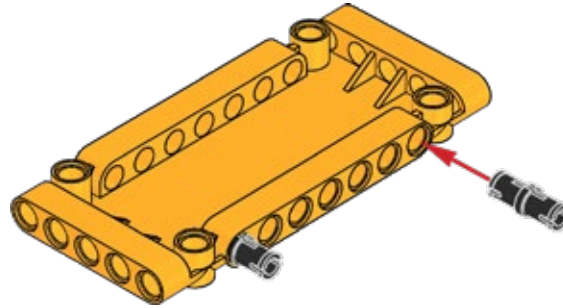
19



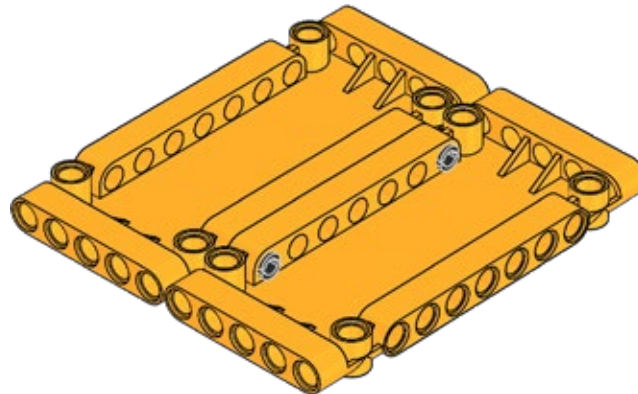




21

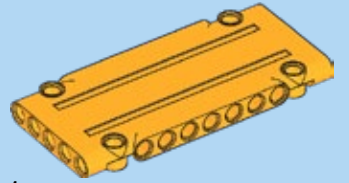
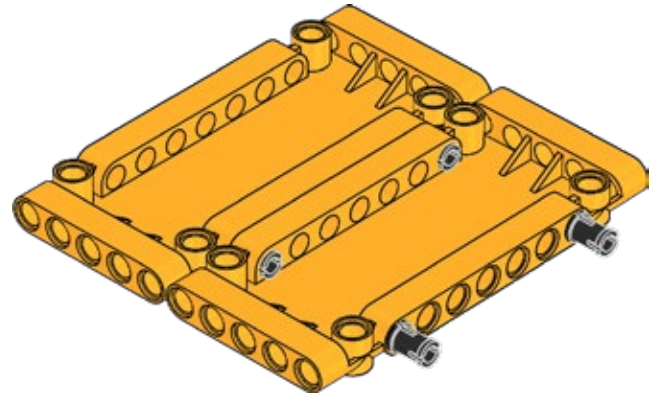


22



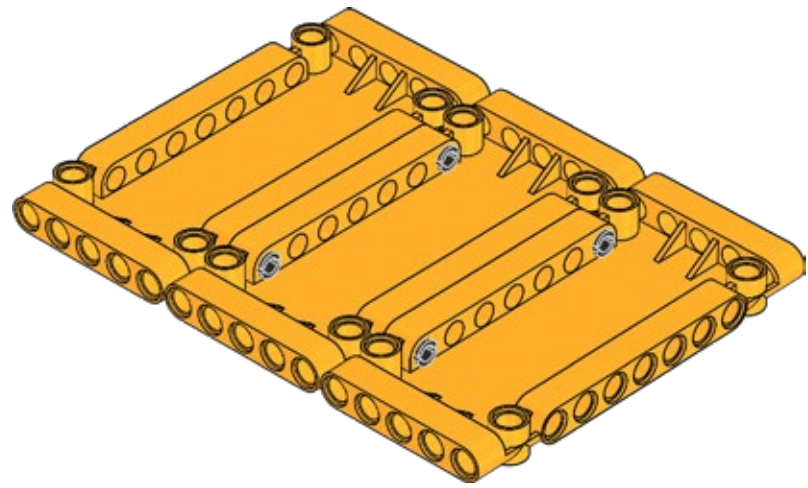
2x
Black

23



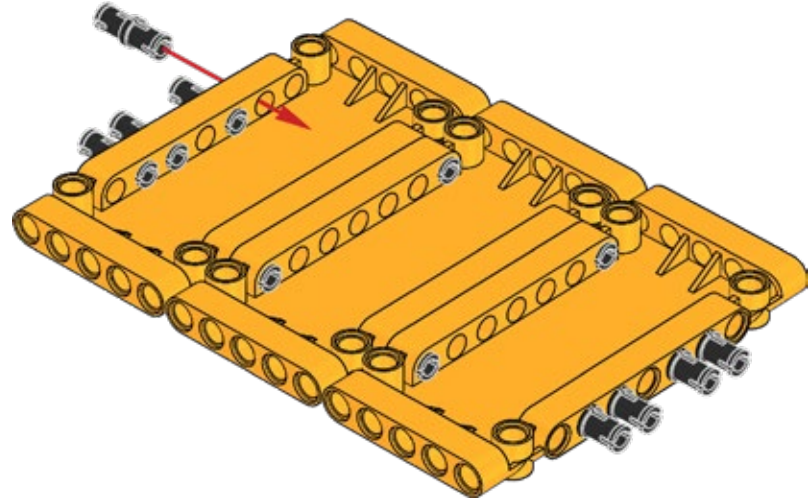
1x
Light orange

24



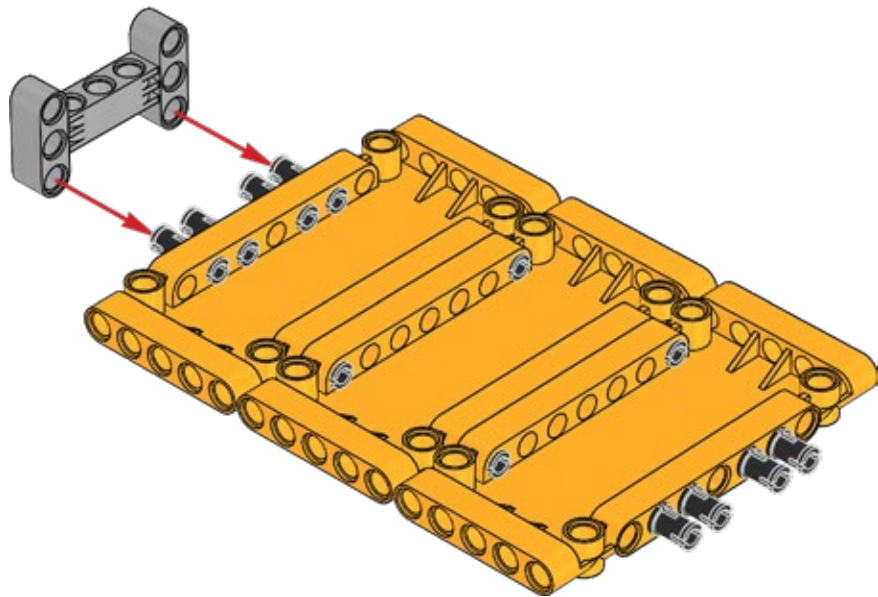
8x
Black

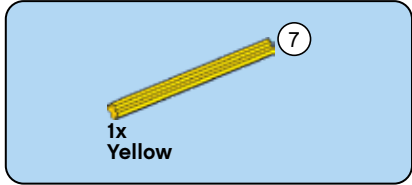
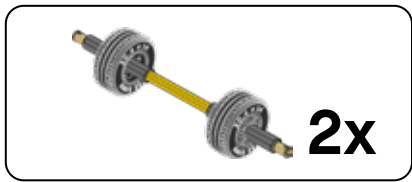
25



1x
Grey

26

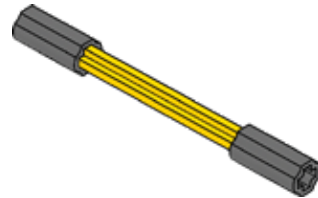
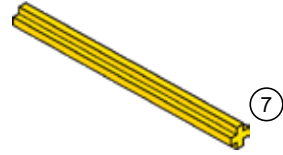


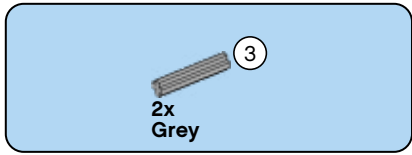


27

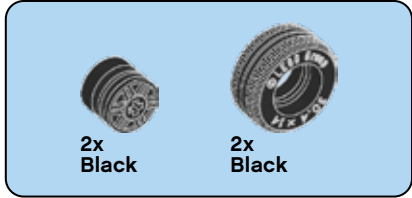
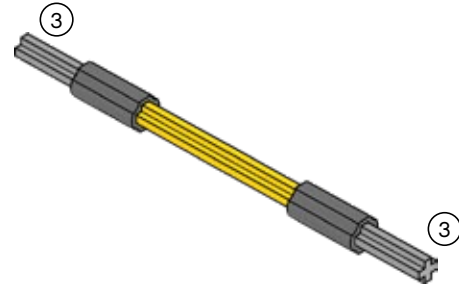


28

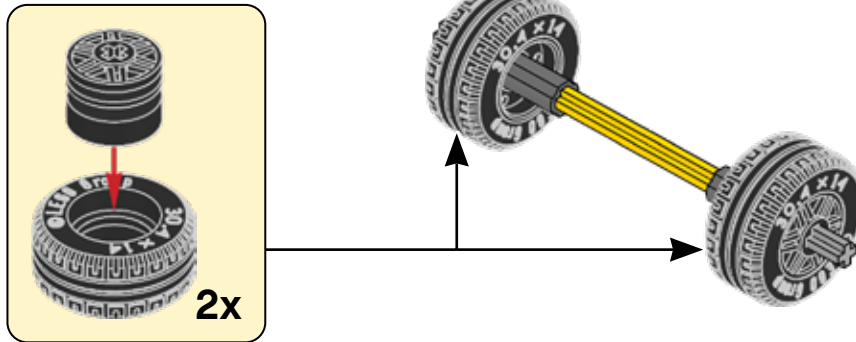




29



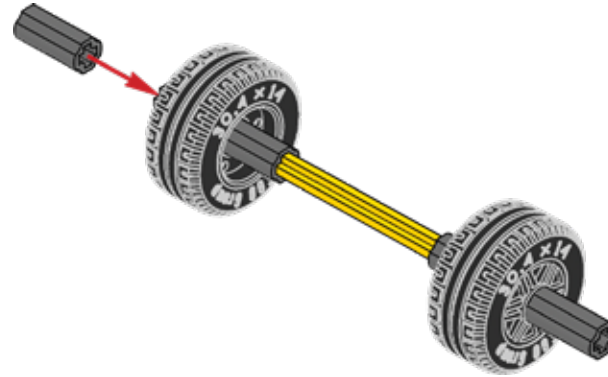
30





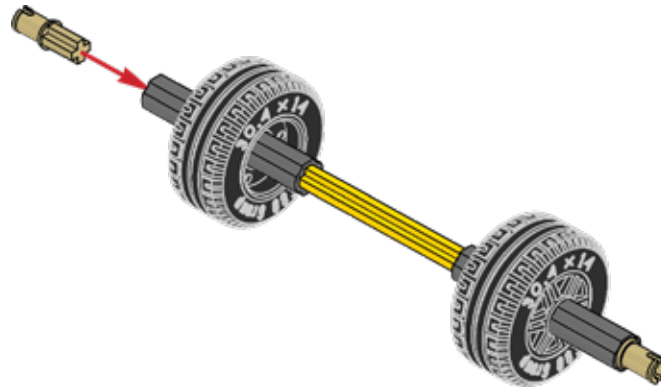
2x
Dark grey

31

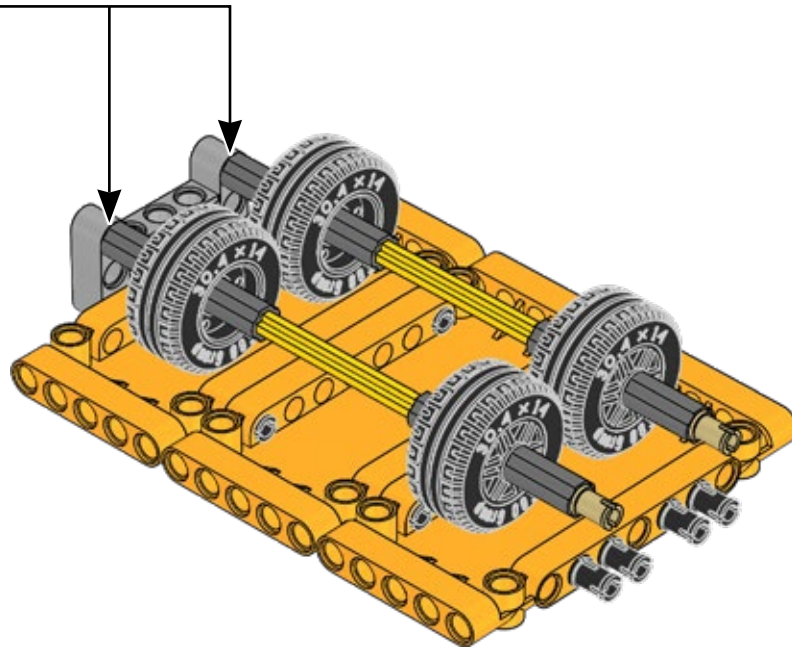


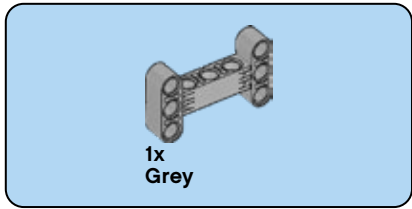
2x
Tan

32

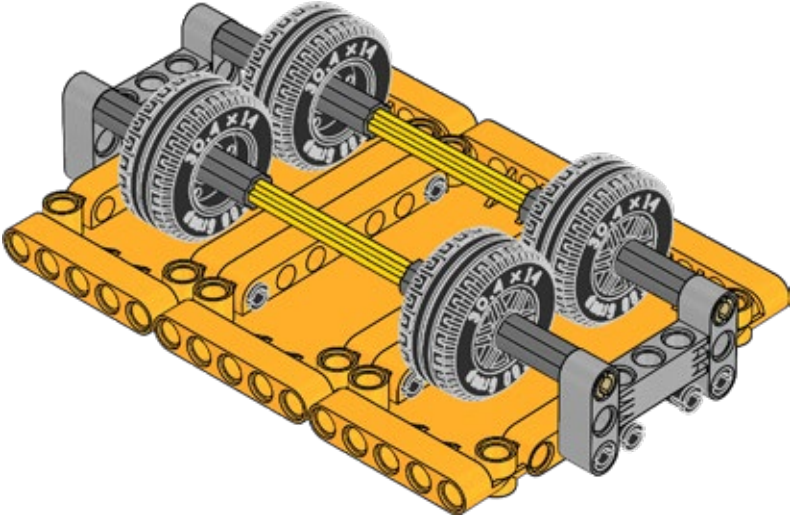


2x



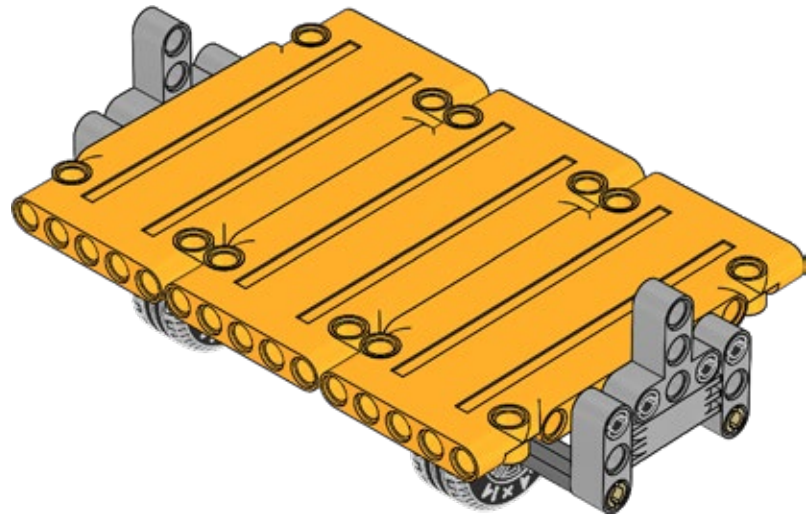


34

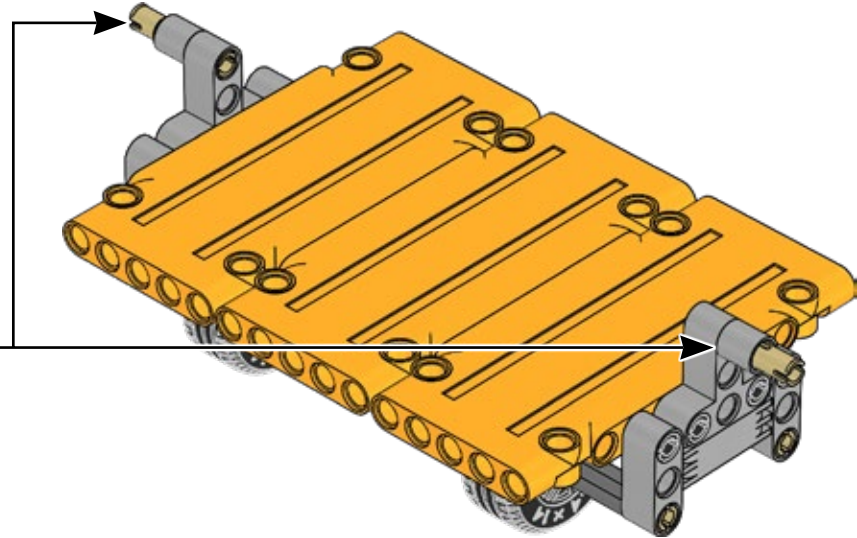
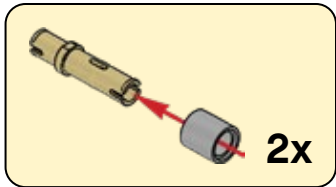


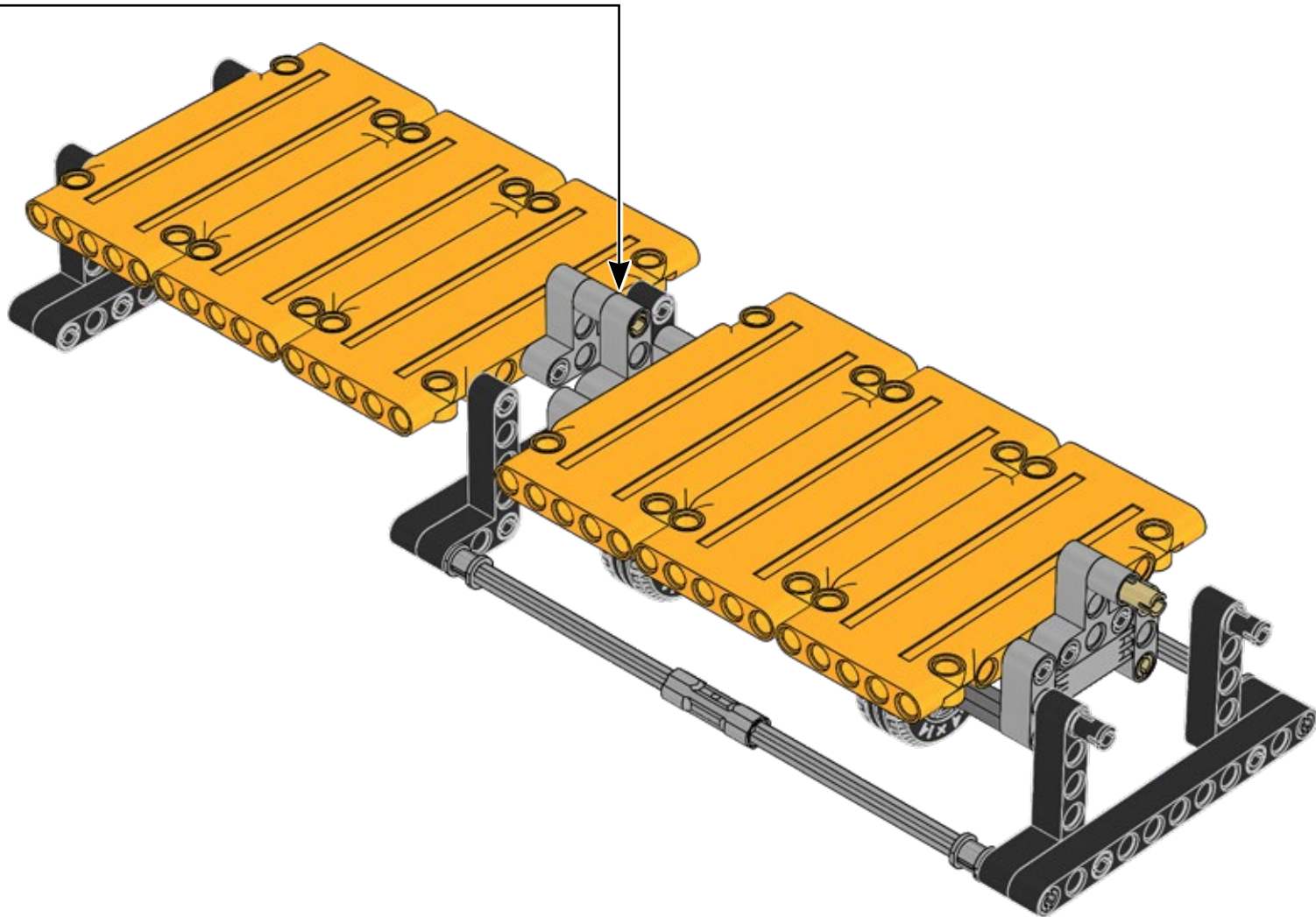


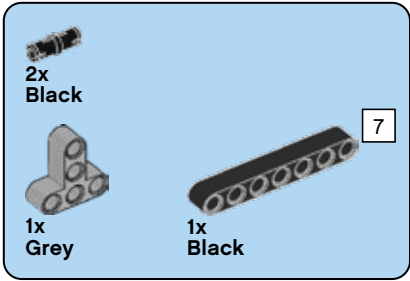
35



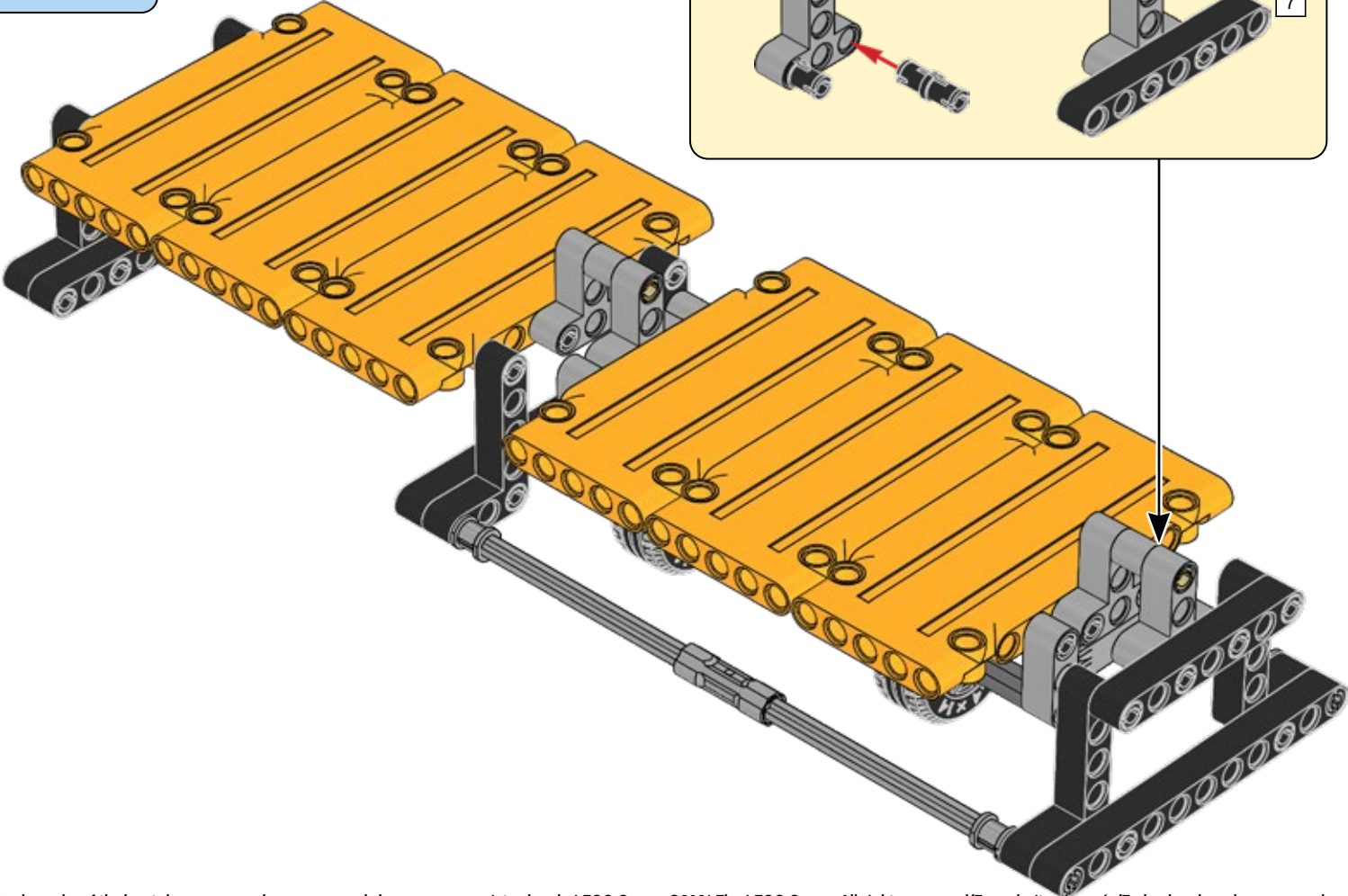
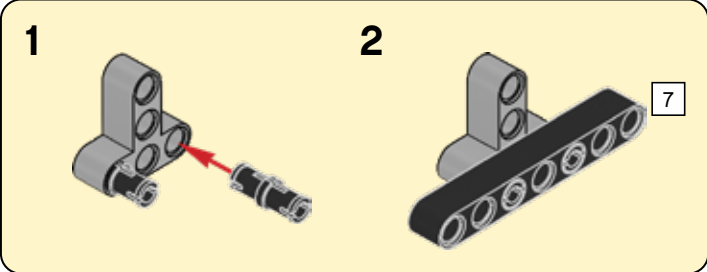
36







38



LEGO and the LEGO logo are trademarks of the/son des marques de commerce du/son marcas registradas de LEGO Group. ©2021 The LEGO Group. All rights reserved/Tous droits réservés/Todos los derechos reservados.

FIRST® is a registered trademark of For Inspiration and Recognition of Science and Technology (FIRST). LEGO® is a registered trademark of the LEGO Group. FIRST® LEGO® League and CARGO CONNECT™ are jointly held trademarks of FIRST and the LEGO Group.

©2021 FIRST and the LEGO Group. All rights reserved.