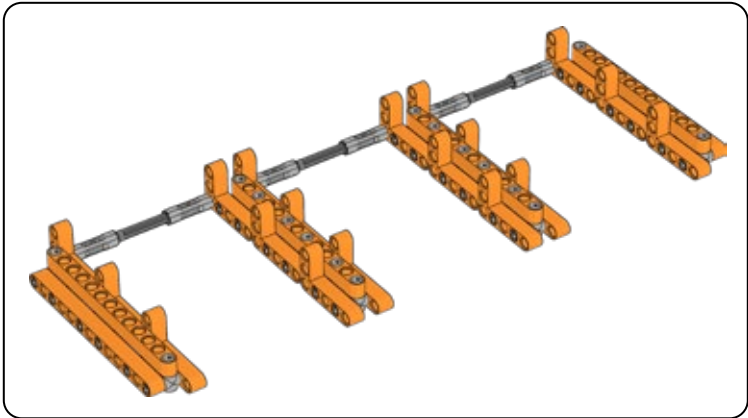
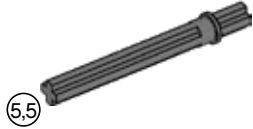
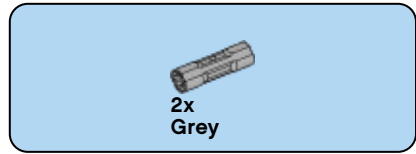


45816

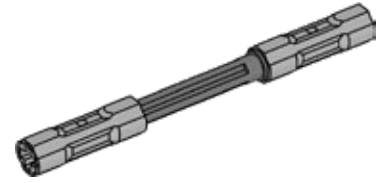


1

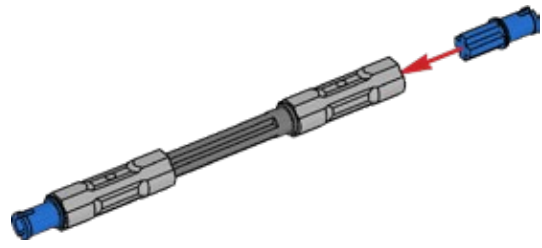


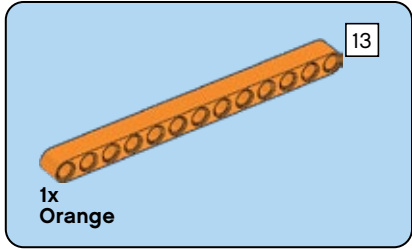
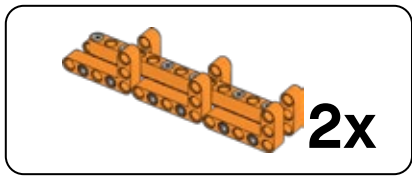


2

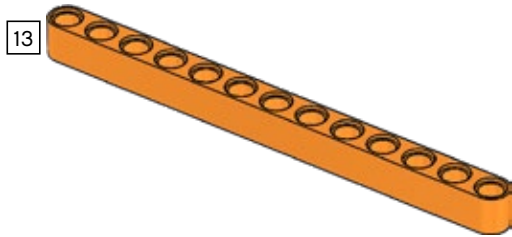


3



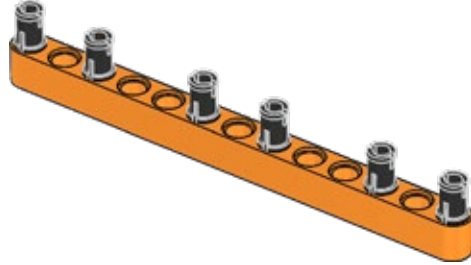


4



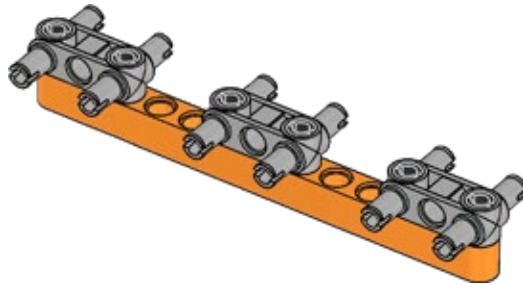
6x
Black

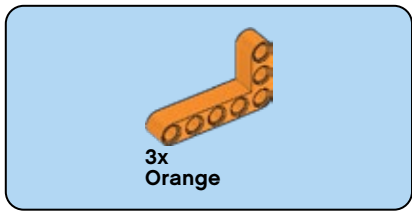
5



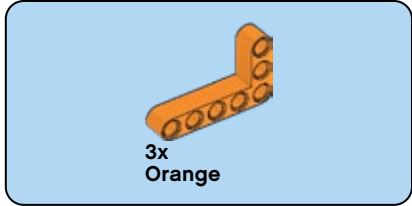
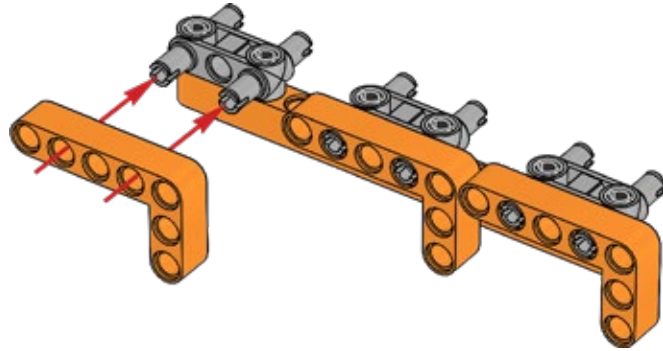
3x
Grey

6

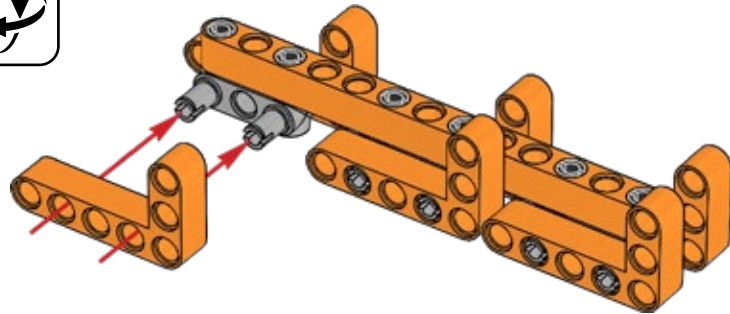




7

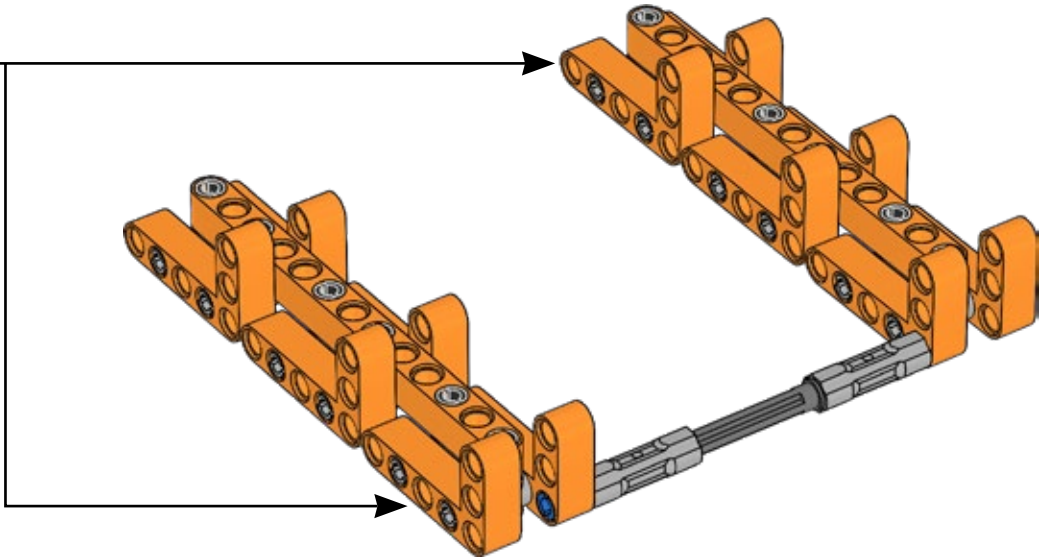


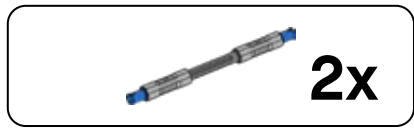
8



2x

9

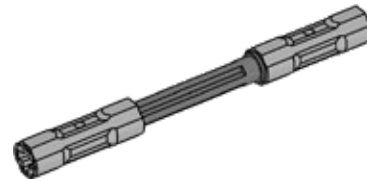




10



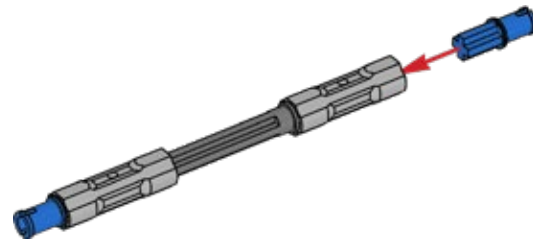
11



2x
Blue

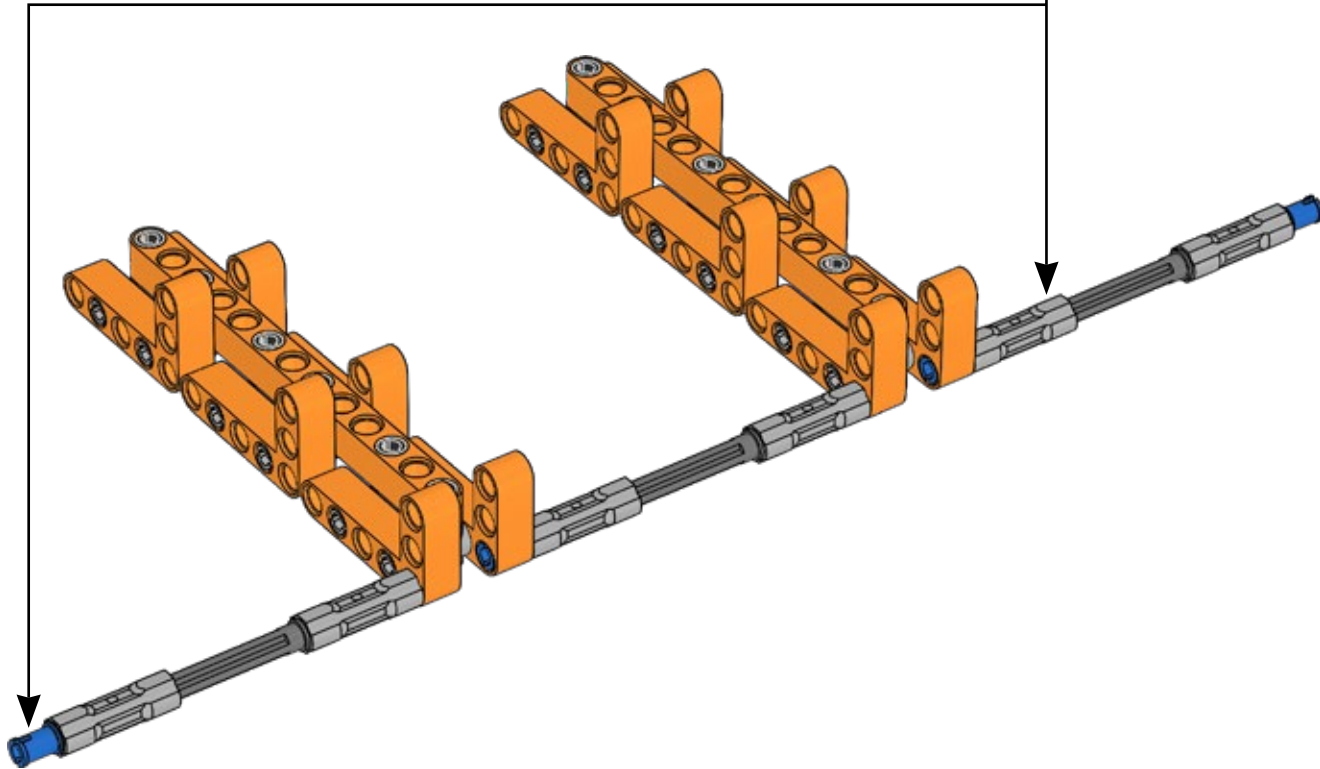
15

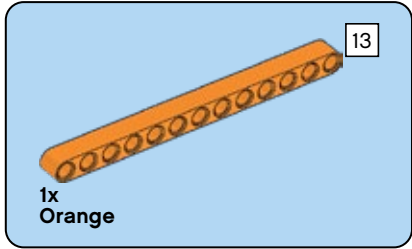
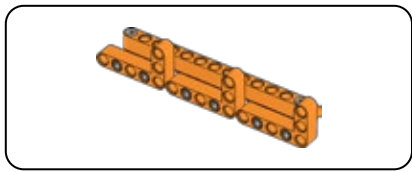
12



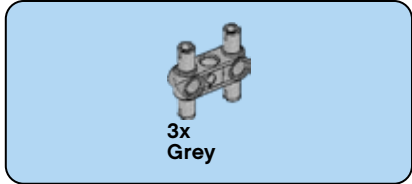
2x

13

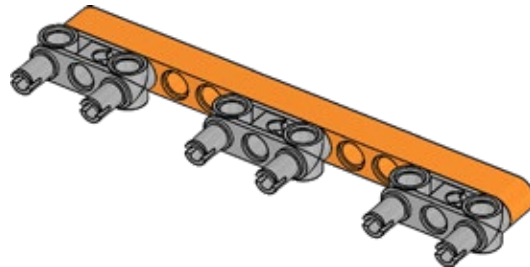
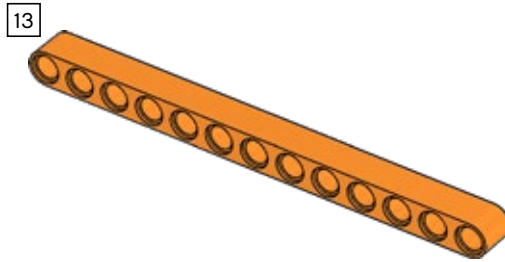




14



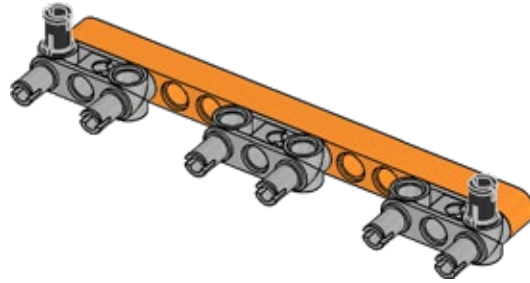
15





2x
Black

16

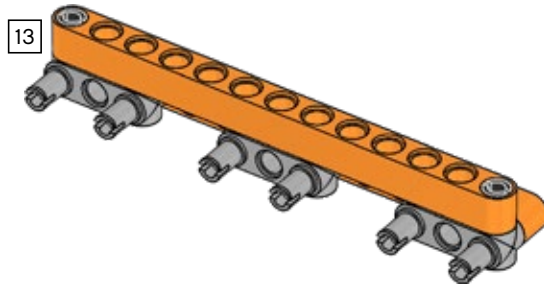


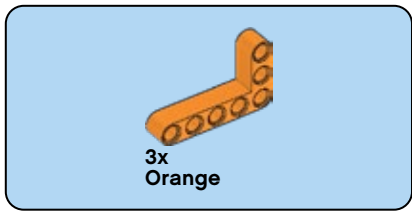
13



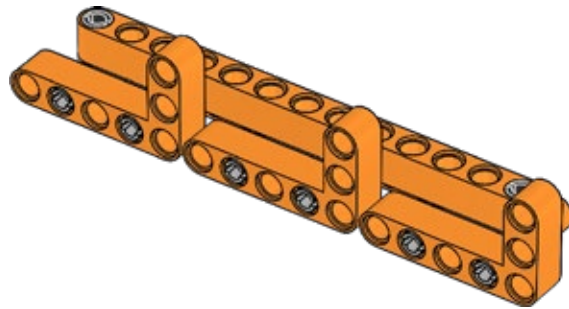
1x
Orange

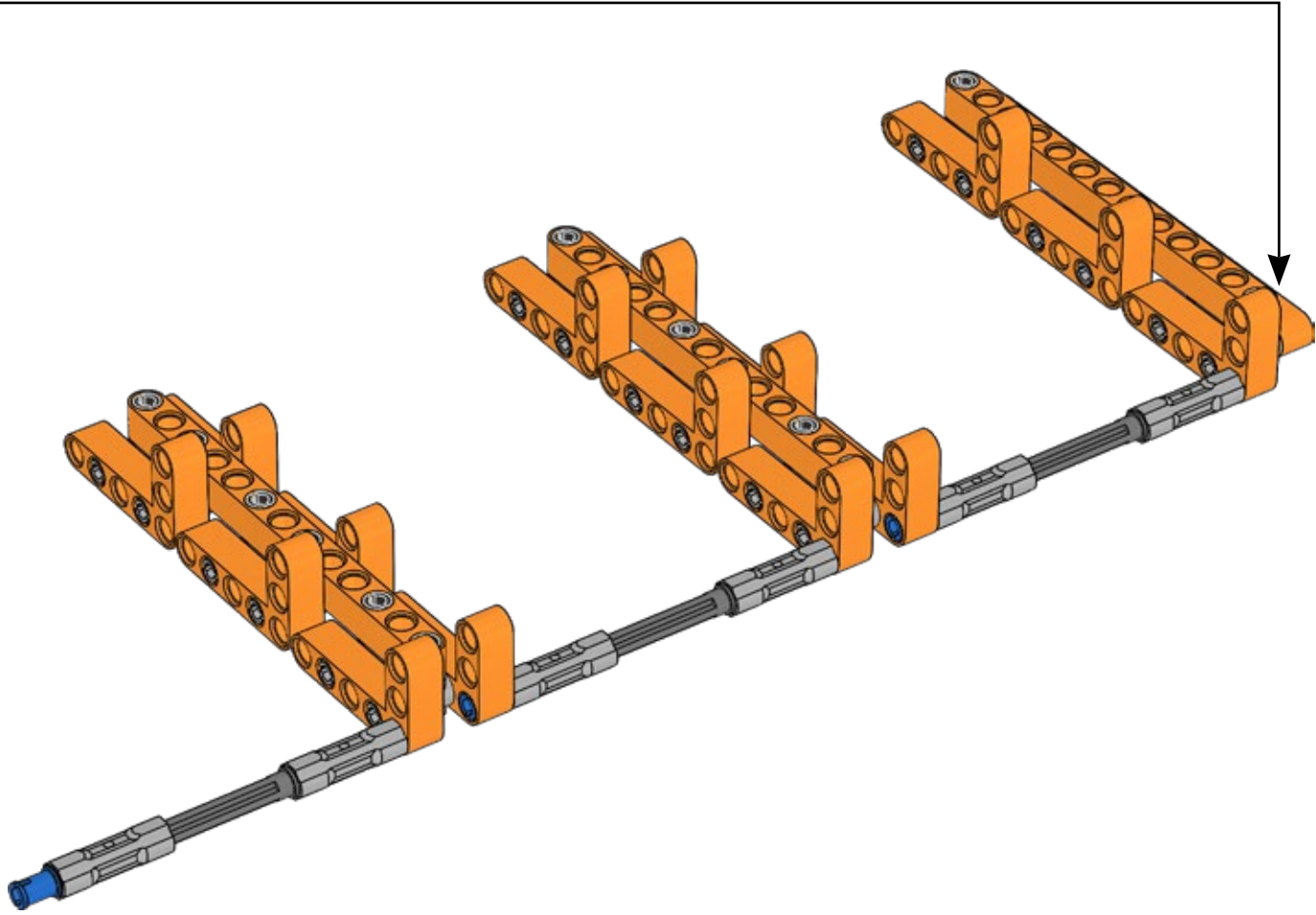
17

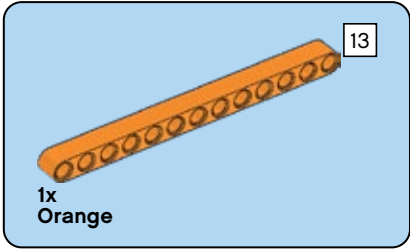
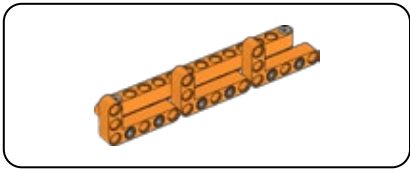




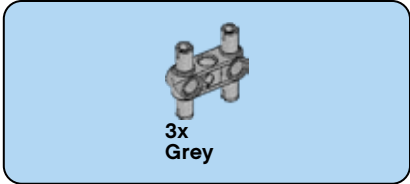
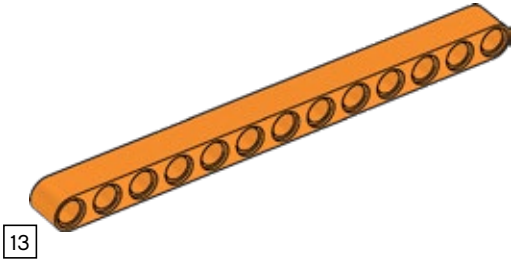
18



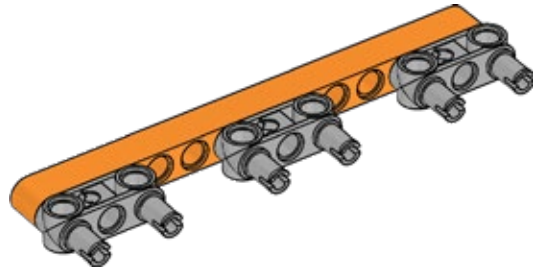




20

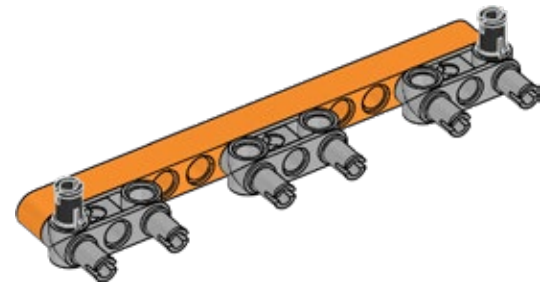


21

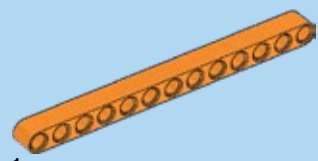


2x
Black

22

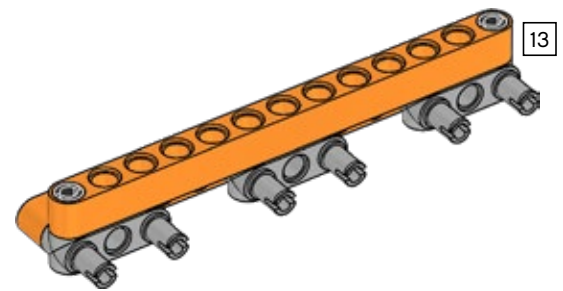


13

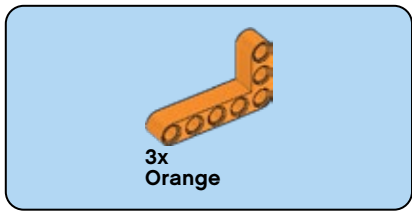


1x
Orange

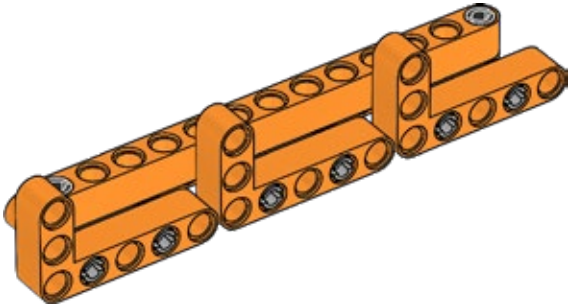
23



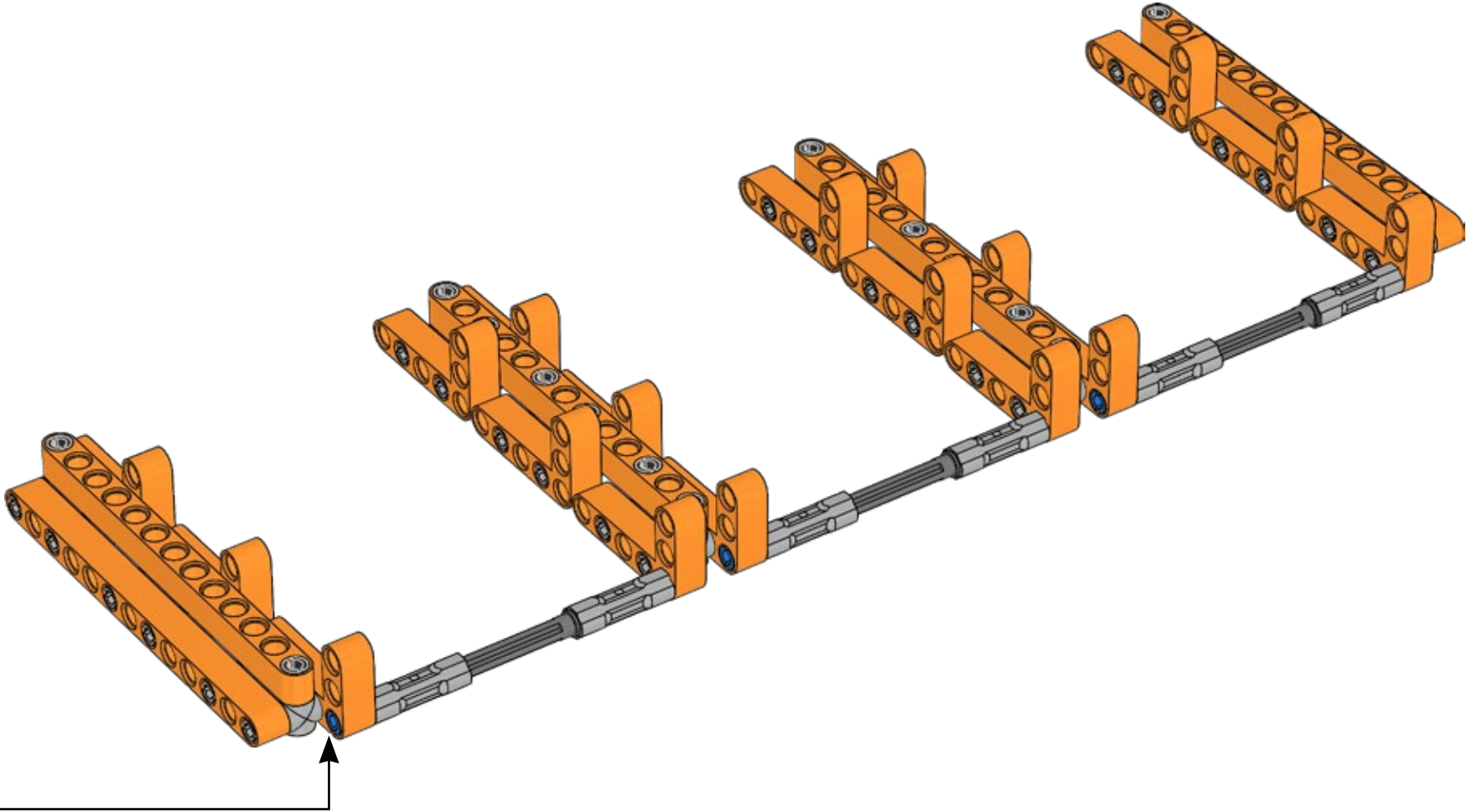
13

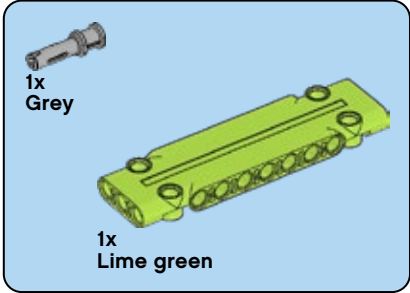
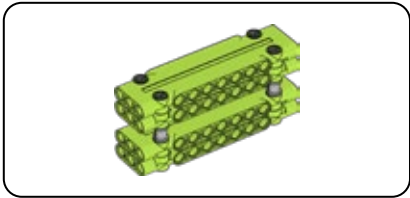


24

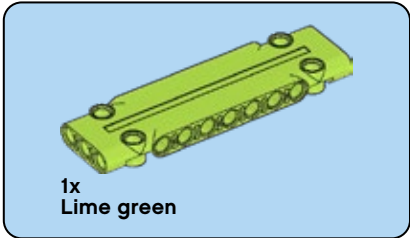
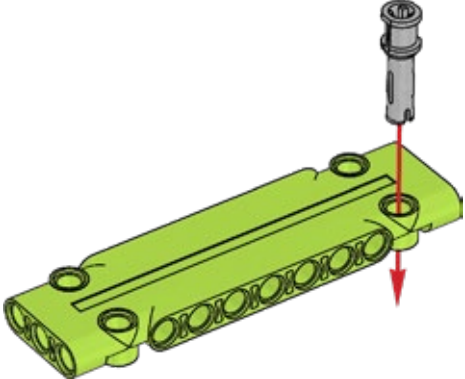


25

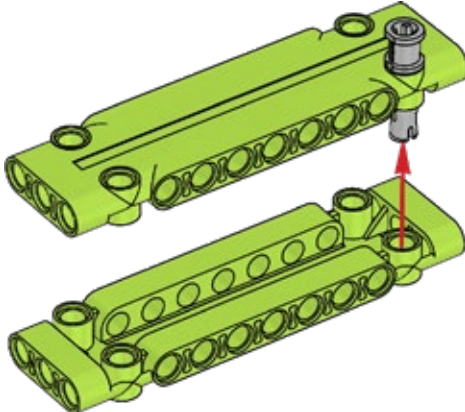


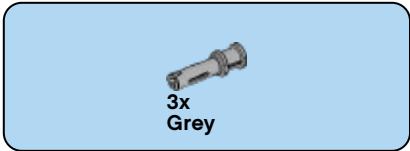


26

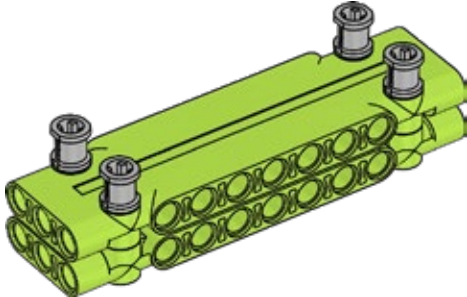


27

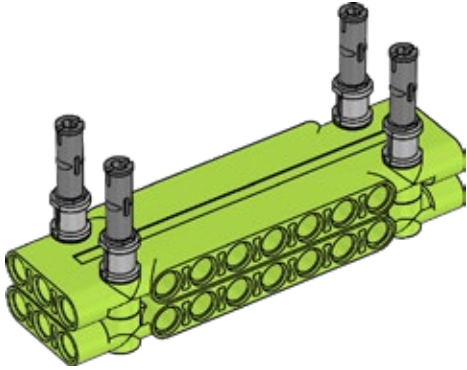


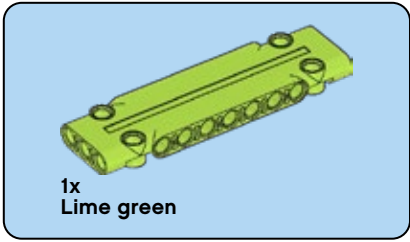


28

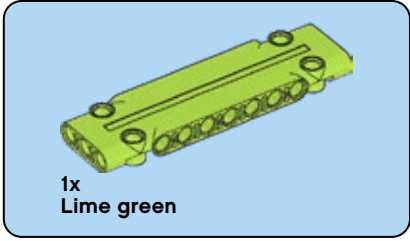
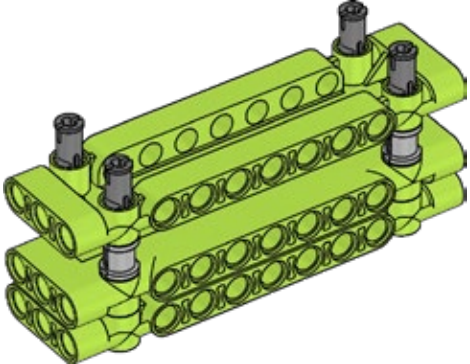


29

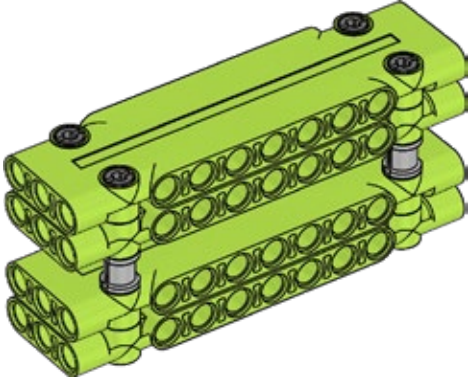


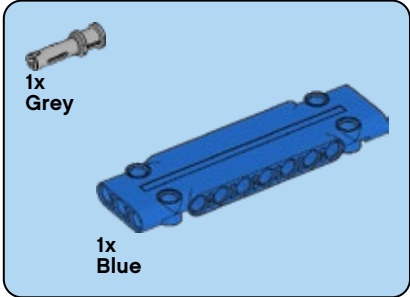
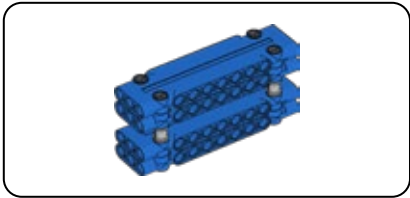


30

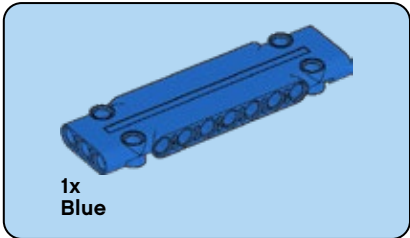
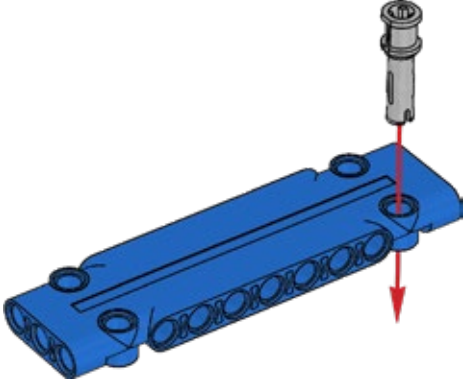


31

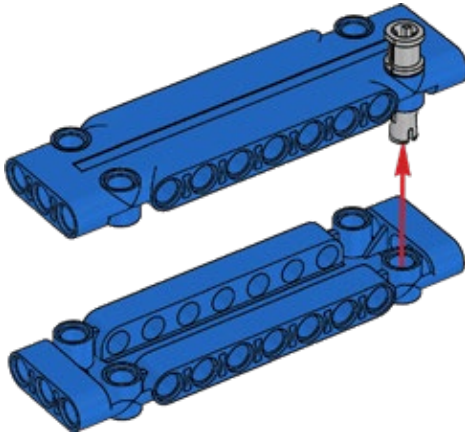


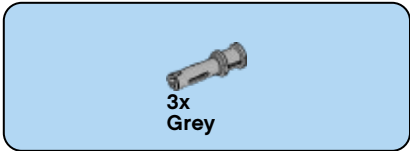


32

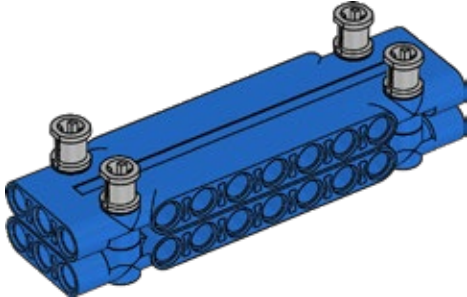


33

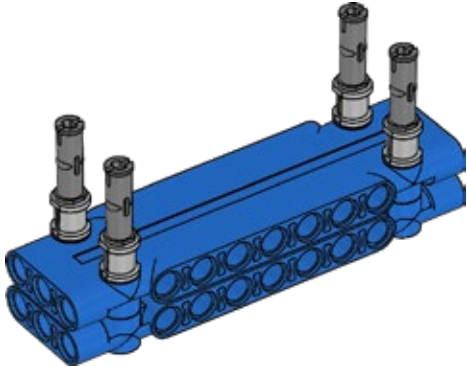


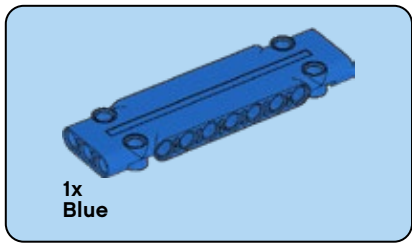


34

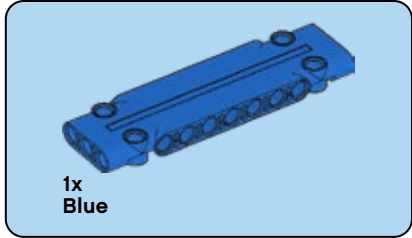
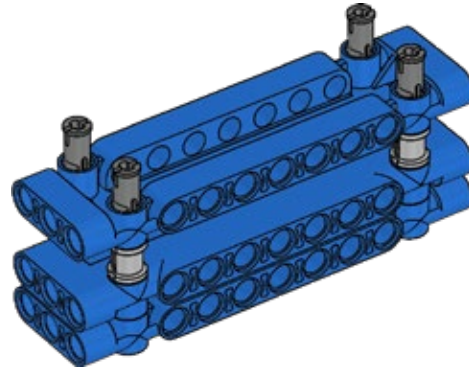


35

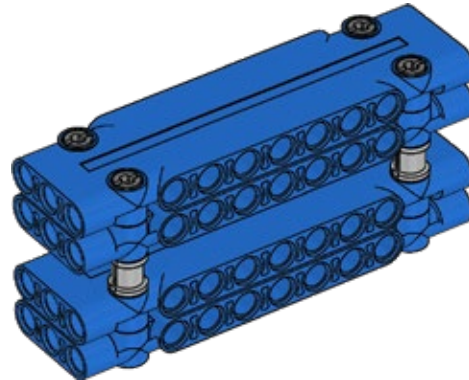


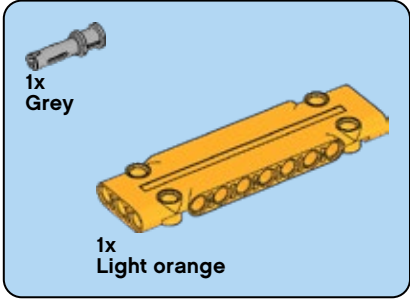
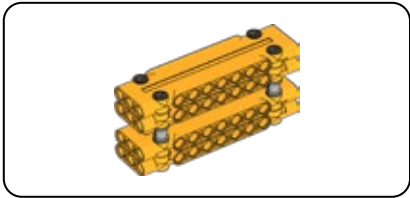


36

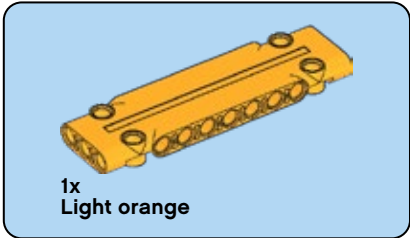
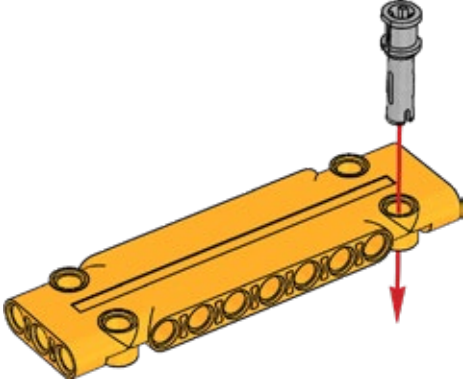


37

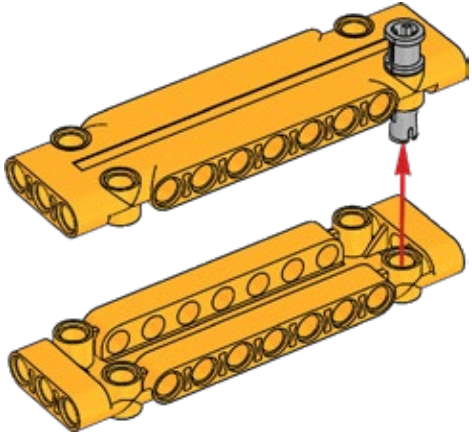


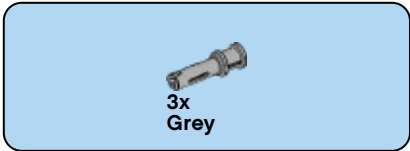


38

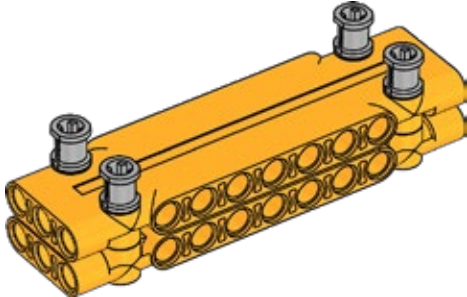


39

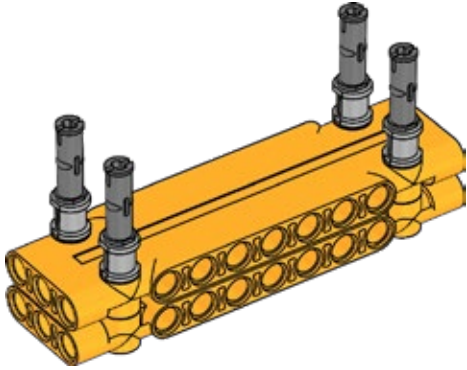


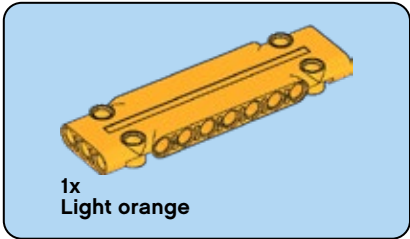


40

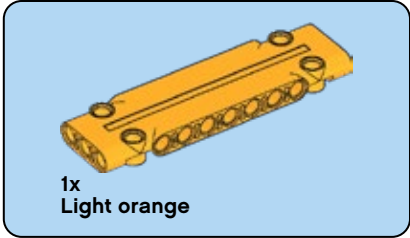
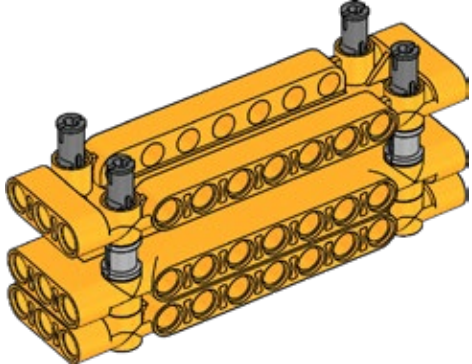


41

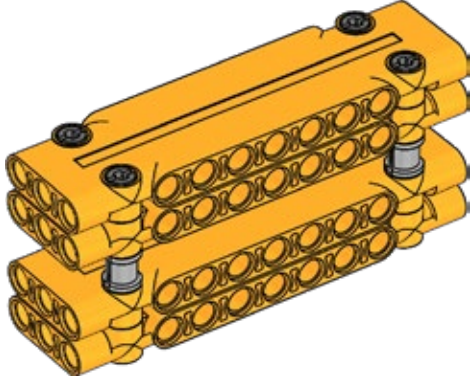




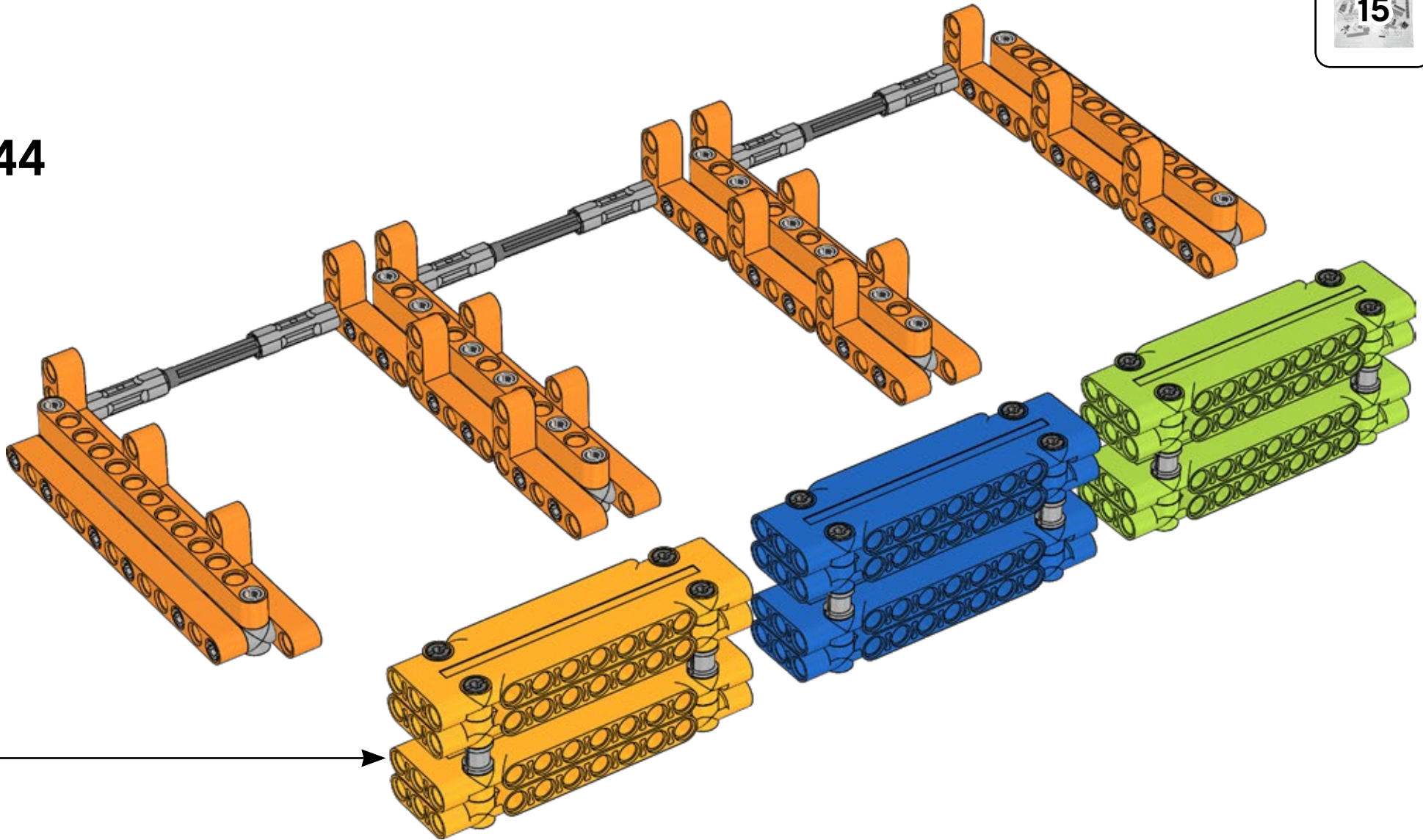
42



43



44



LEGO and the LEGO logo are trademarks of the/son des marques de commerce du/son marcas registradas de LEGO Group. ©2021 The LEGO Group. All rights reserved/Tous droits réservés/Todos los derechos reservados.

FIRST® is a registered trademark of For Inspiration and Recognition of Science and Technology (FIRST). LEGO® is a registered trademark of the LEGO Group. FIRST® LEGO® League and CARGO CONNECT™ are jointly held trademarks of FIRST and the LEGO Group.

©2021 FIRST and the LEGO Group. All rights reserved.