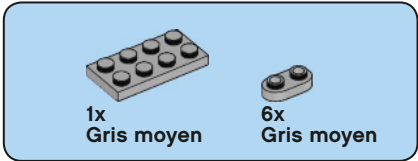
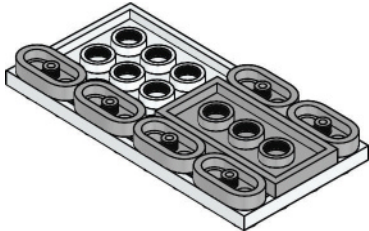
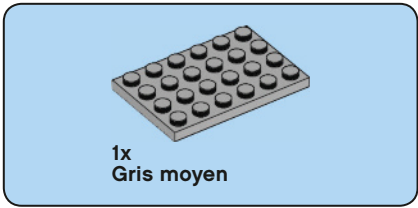


1



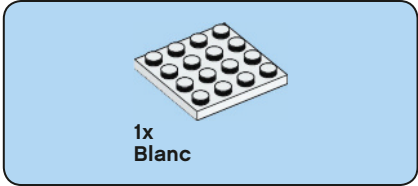
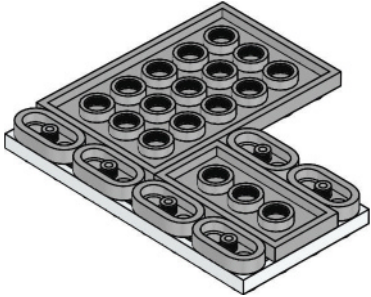
2





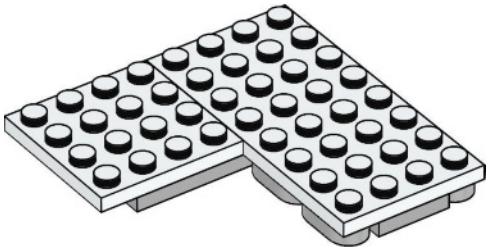
1x  
Gris moyen

3



1x  
Blanc

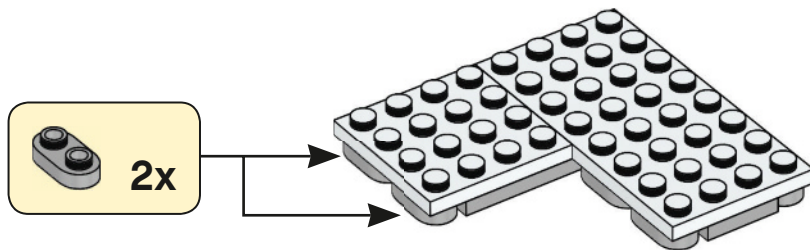
4





2x  
Gris moyen

5



1x  
Blanc

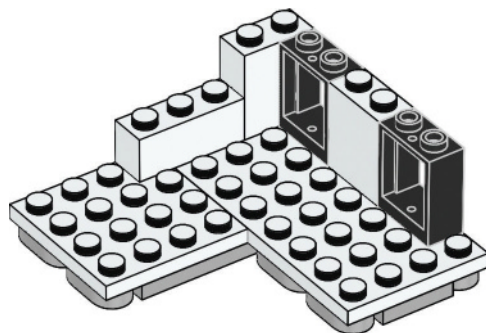


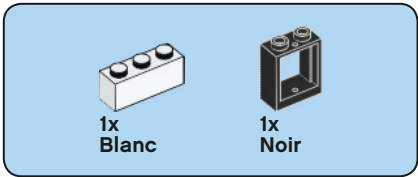
2x  
Blanc



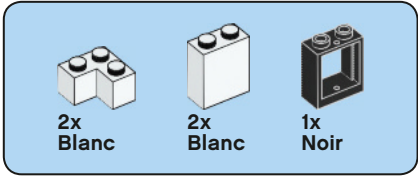
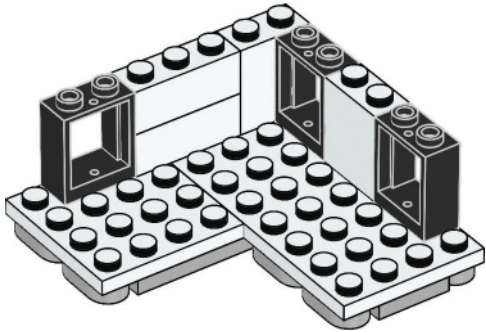
2x  
Noir

6

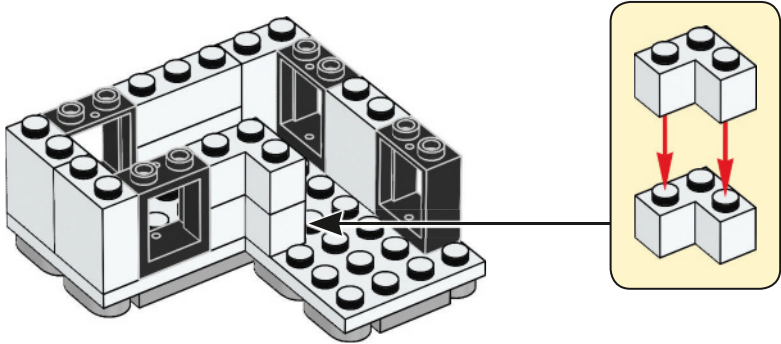


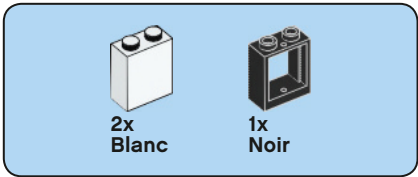


7

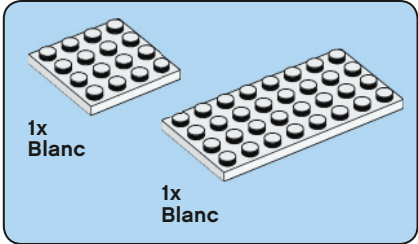
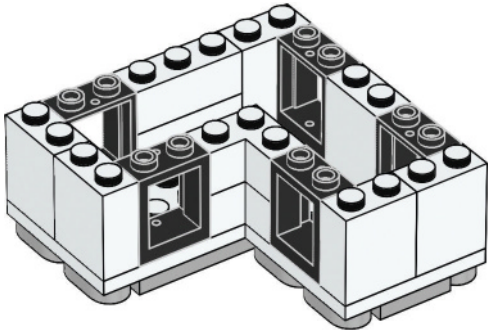


8

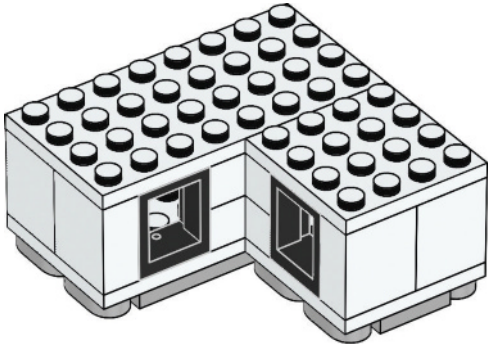


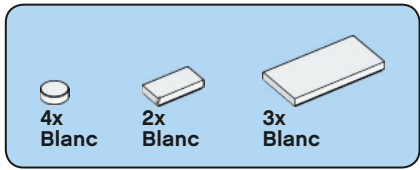


9

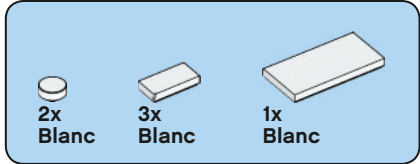
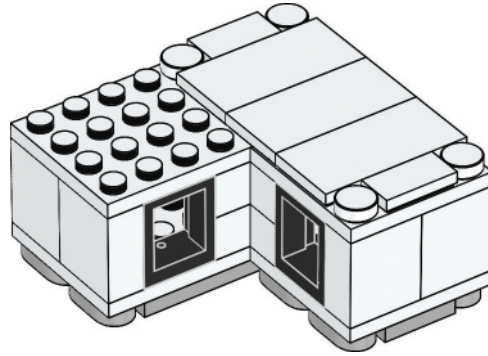


10

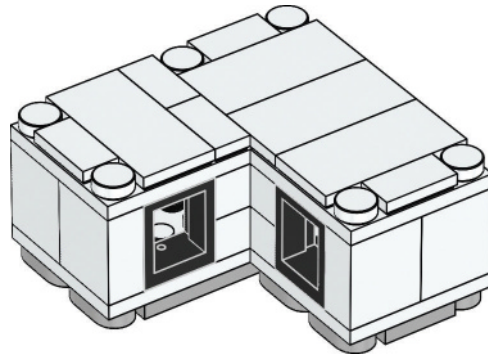




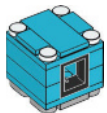
11



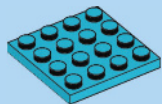
12



4x

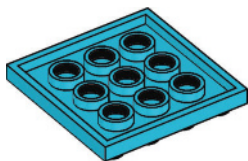


4x



1x  
Azur moyen

13

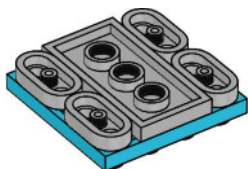


1x  
Gris moyen

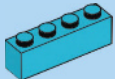


4x  
Gris moyen

14

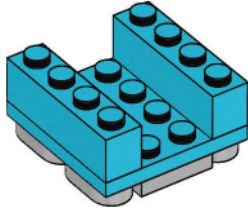




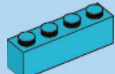


2x  
Azur moyen

15

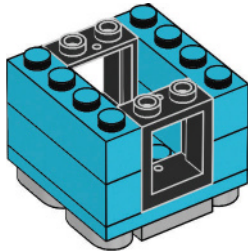


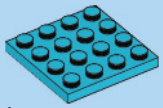
2x  
Noir



2x  
Azur moyen

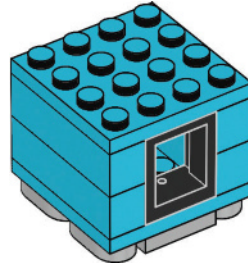
16





1x  
Azur moyen

17



4x  
Blanc

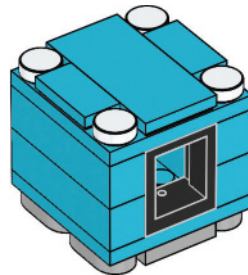


2x  
Azur moyen

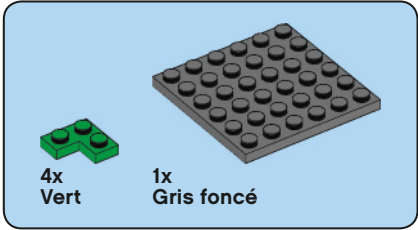
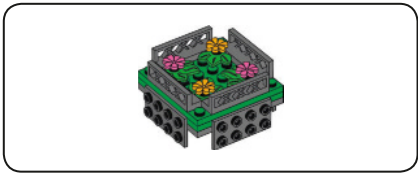


1x  
Azur moyen

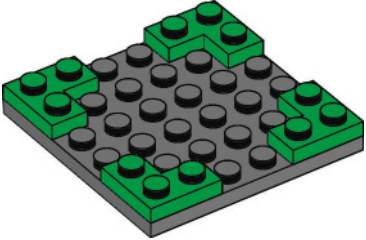
18



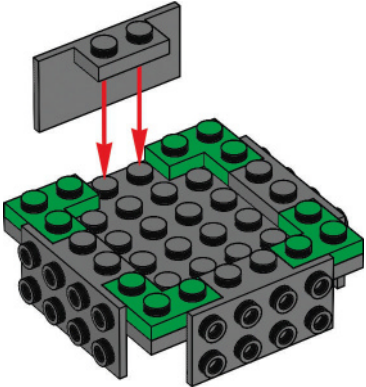
4x

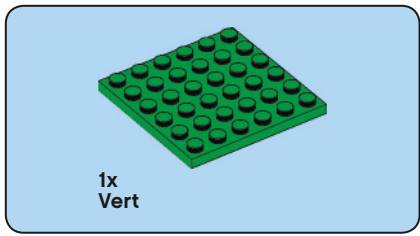


19

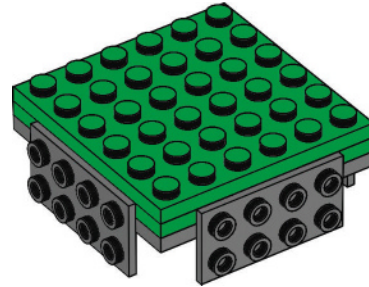


20

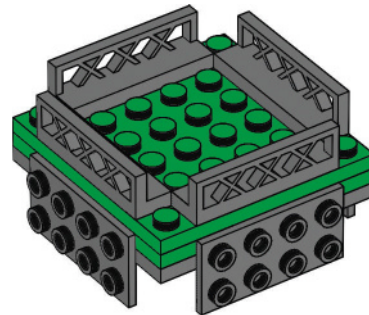




21



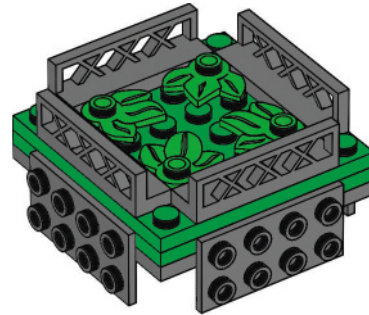
22





4x  
Vert vif

23

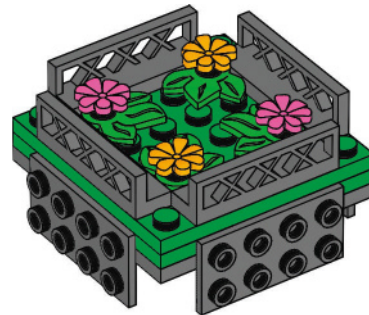


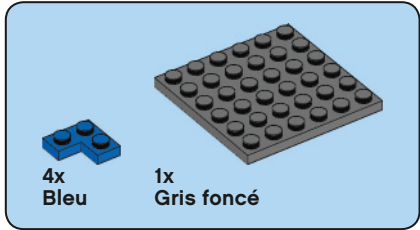
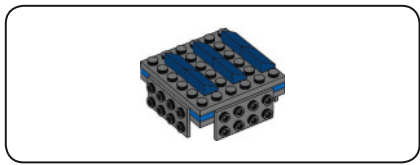
2x  
Violet vif



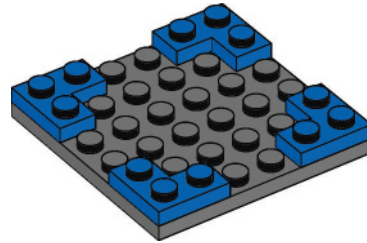
2x  
Orange vif

24

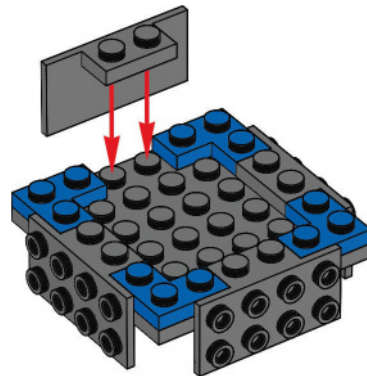


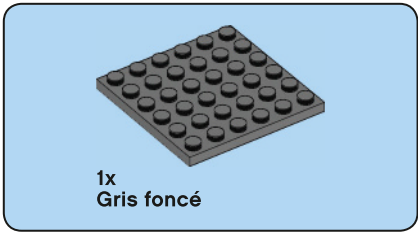


25

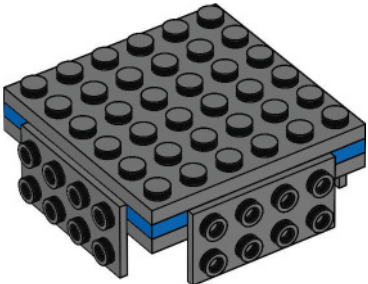


26

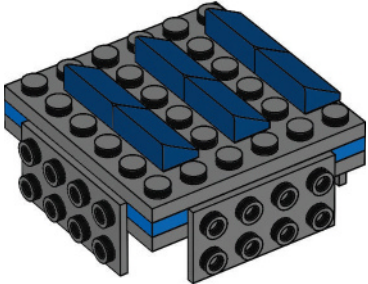


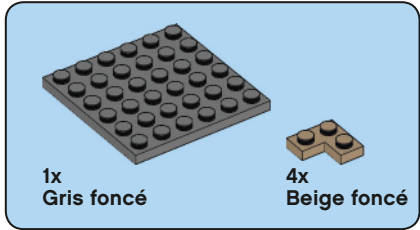
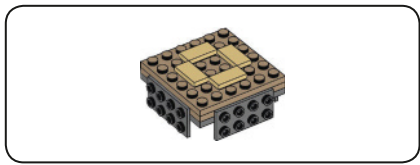


27

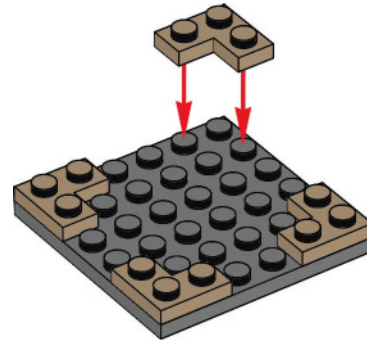


28

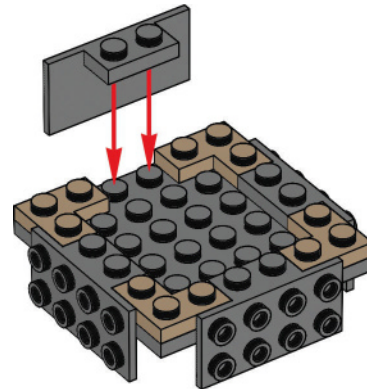




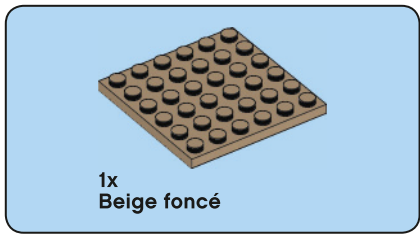
29



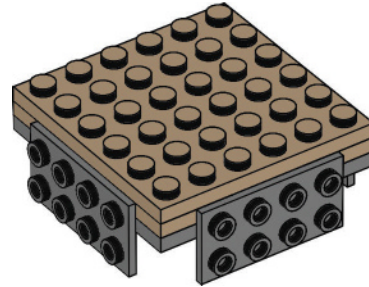
30



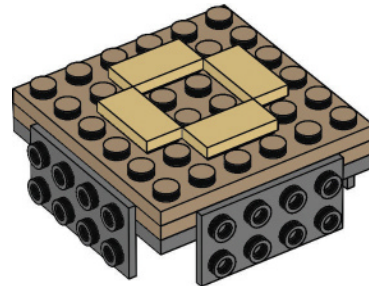




31



32



SACHET 7

LEGO and the LEGO logo are trademarks of the/son des marques de commerce du/son marcas registradas de LEGO Group. ©2019 The LEGO Group. All rights reserved/Tous droits réservés/Todos los derechos reservados.

FIRST® is a registered trademark of For Inspiration and Recognition of Science and Technology (FIRST). LEGO® is a registered trademark of the LEGO Group. FIRST® LEGO® League and CITY SHAPER™ are jointly held trademarks of FIRST and the LEGO Group. ©2019 FIRST and the LEGO Group. All rights reserved.