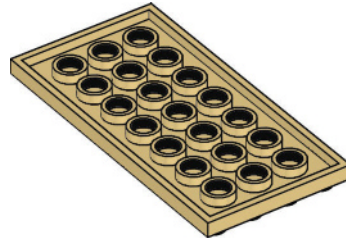


1



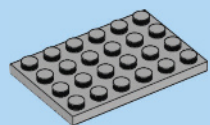
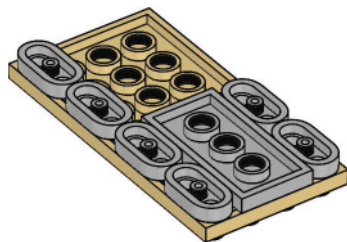


1x
Gris moyen



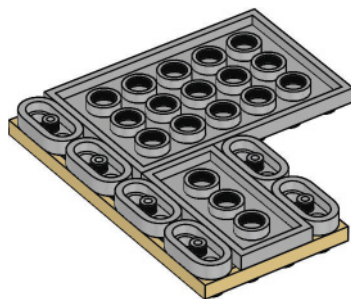
6x
Gris moyen

2



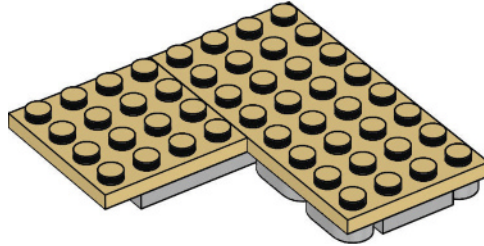
1x
Gris moyen

3

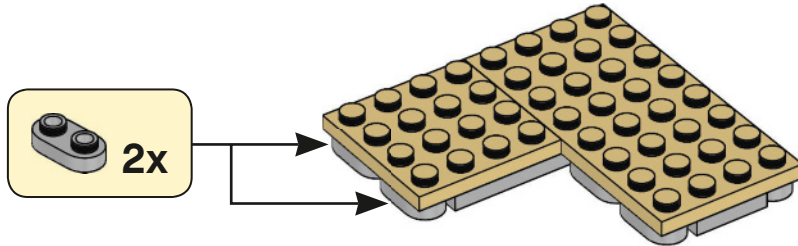


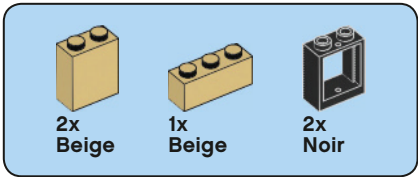


4

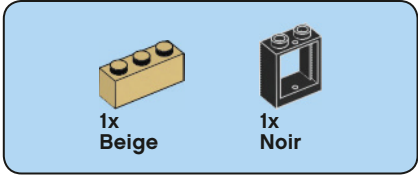
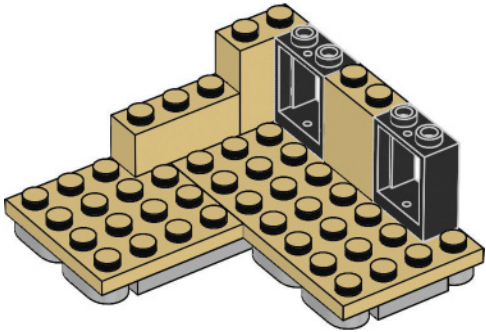


5

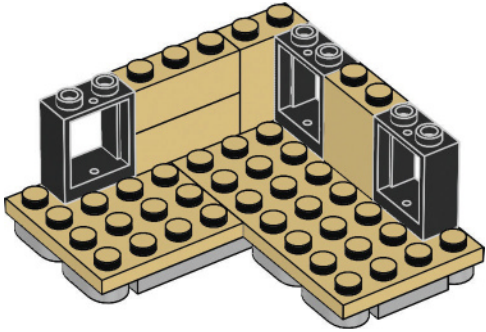


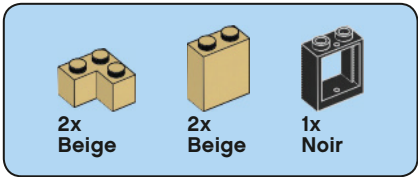


6

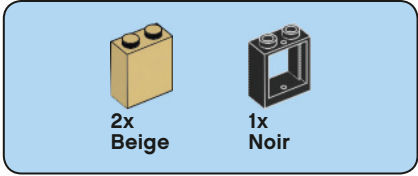
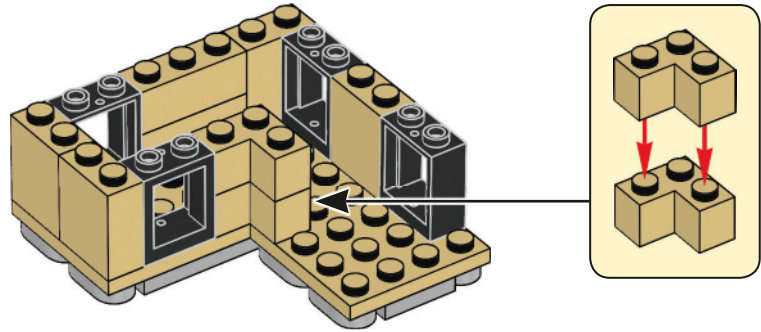


7

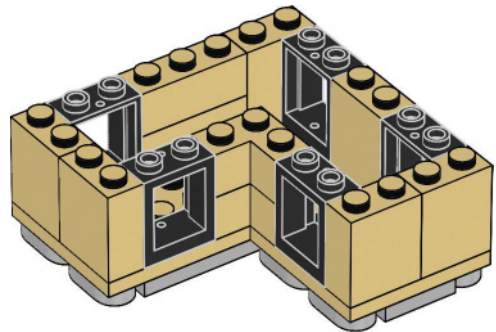


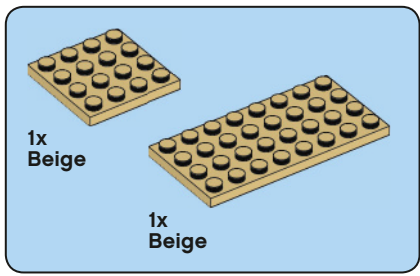


8

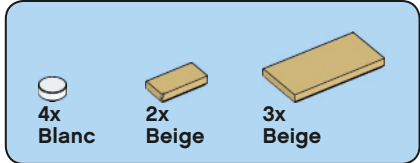
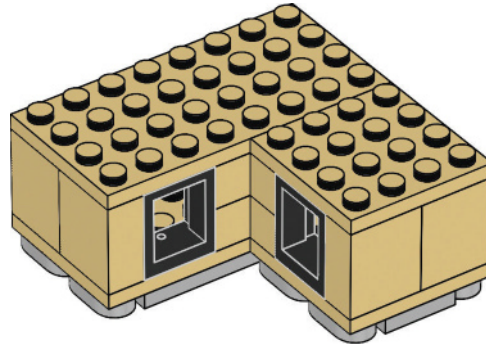


9

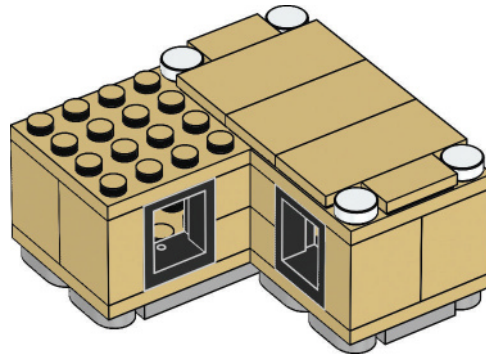




10



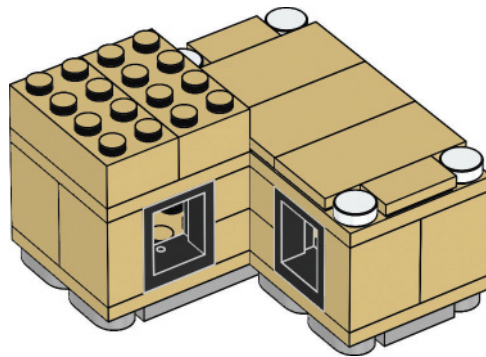
11





2x
Beige

12

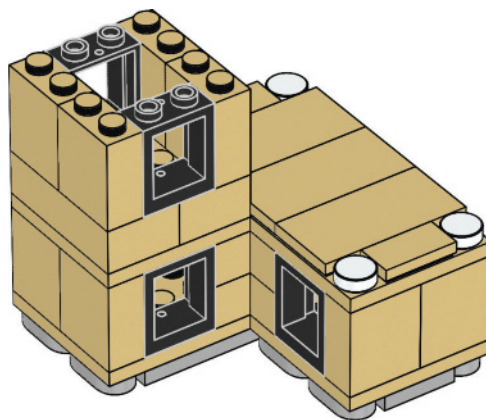


4x
Beige



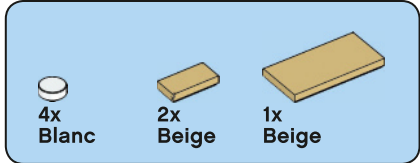
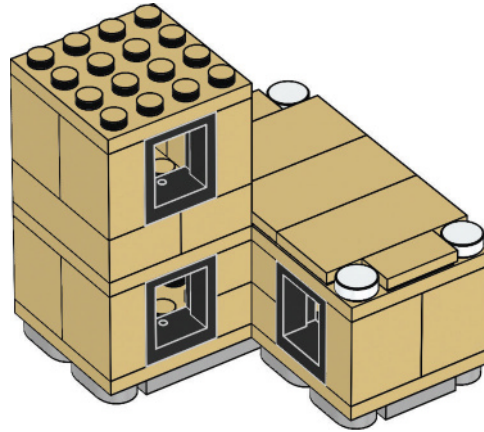
2x
Noir

13

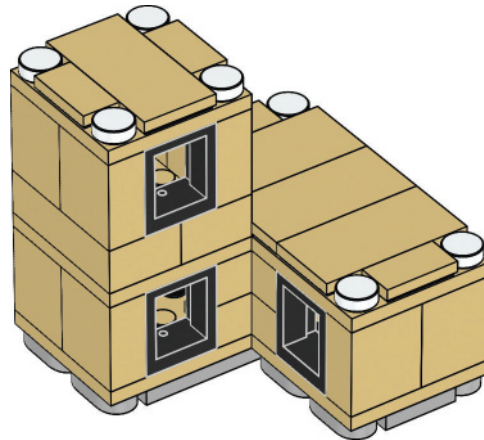




14



15



4x

SACHET 6

LEGO and the LEGO logo are trademarks of the/son des marques de commerce du/son marcas registradas de LEGO Group. ©2019 The LEGO Group. All rights reserved/Tous droits réservés/Todos los derechos reservados.

FIRST® is a registered trademark of For Inspiration and Recognition of Science and Technology (FIRST). LEGO® is a registered trademark of the LEGO Group. FIRST® LEGO® League and CITY SHAPER™ are jointly held trademarks of FIRST and the LEGO Group. ©2019 FIRST and the LEGO Group. All rights reserved.