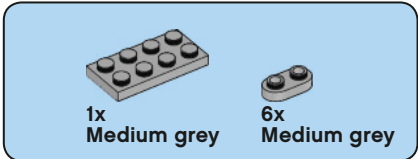
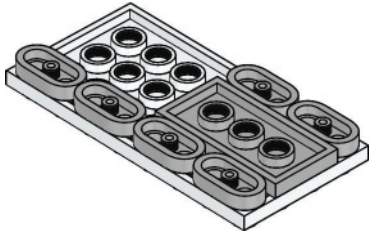
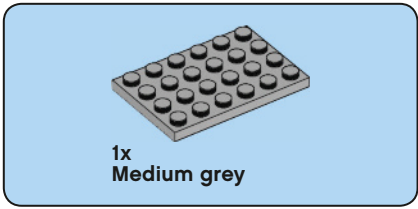


1

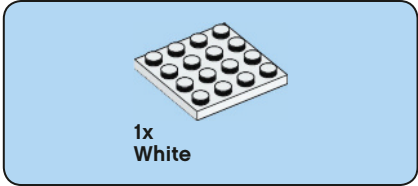
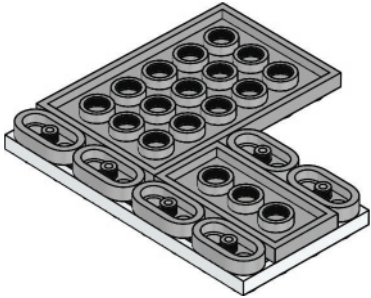


2

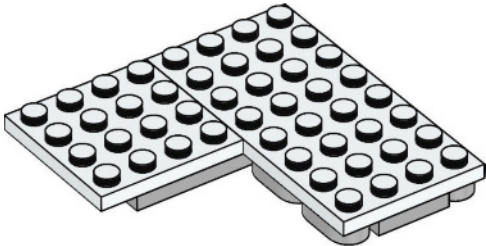




3



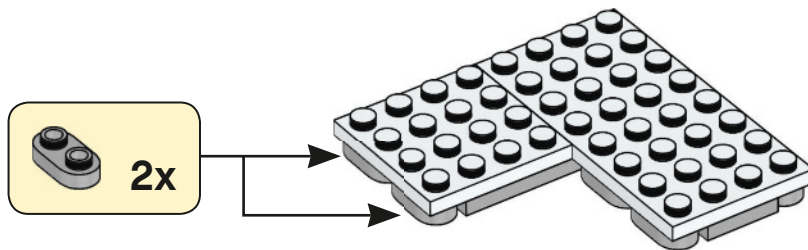
4





2x  
Medium grey

5



1x  
White

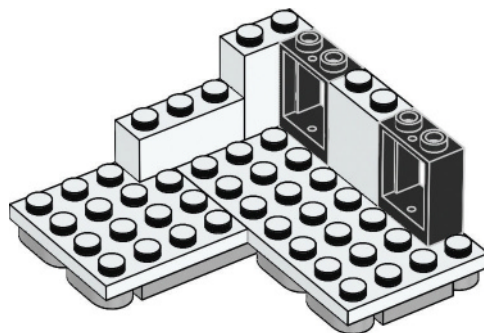


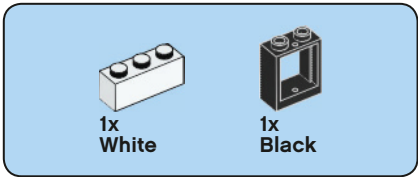
2x  
White



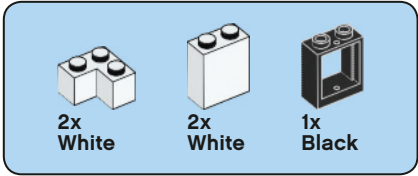
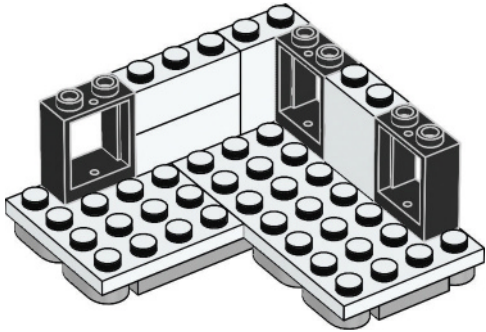
2x  
Black

6

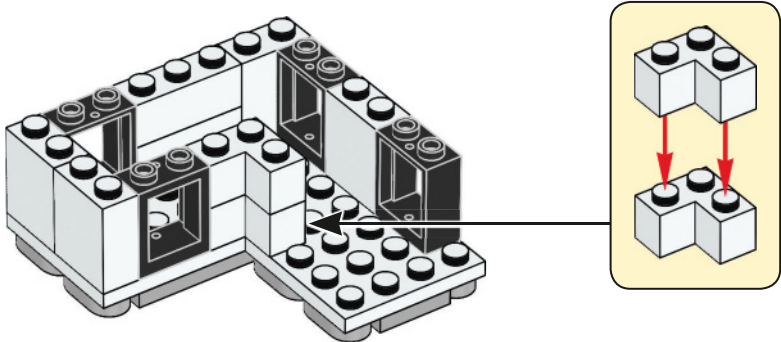


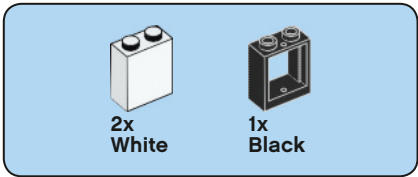


7

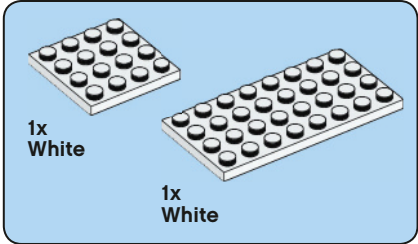
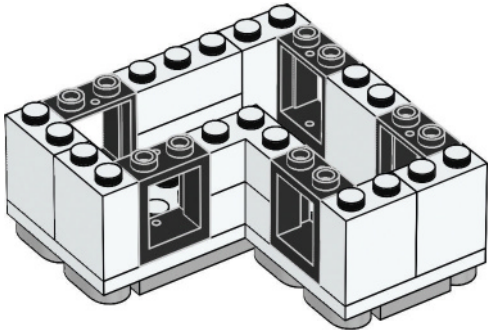


8

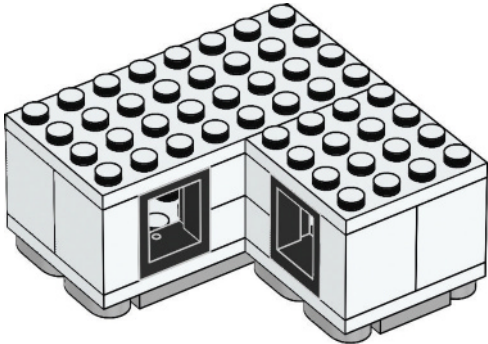


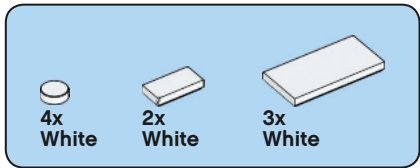


9

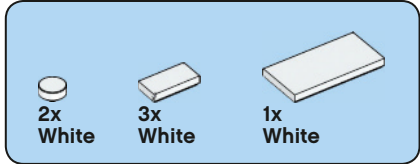
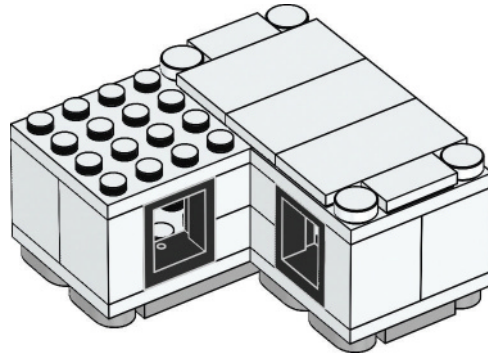


10

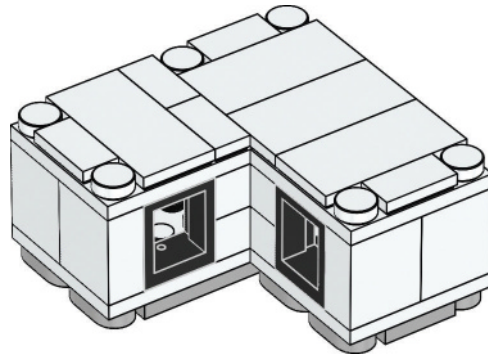




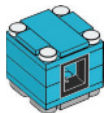
11



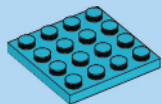
12



4x

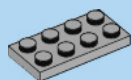
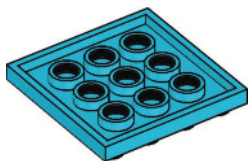


4x



1x  
Medium azure

13

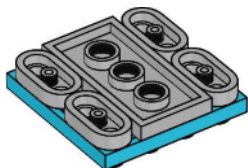


1x  
Medium grey

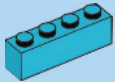


4x  
Medium grey

14

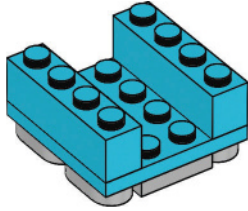




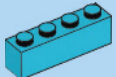


2x  
Medium azure

15

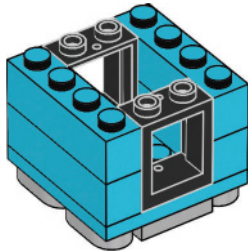


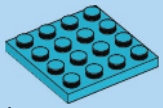
2x  
Black



2x  
Medium azure

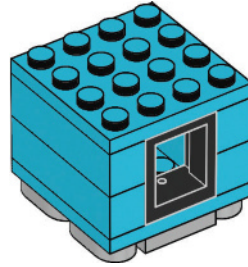
16





1x  
Medium azure

17



4x  
White

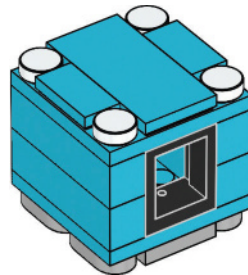


2x  
Medium azure

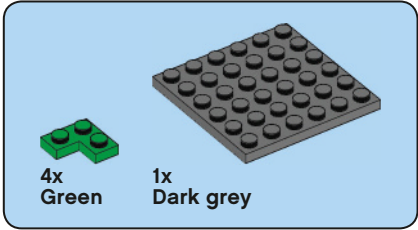
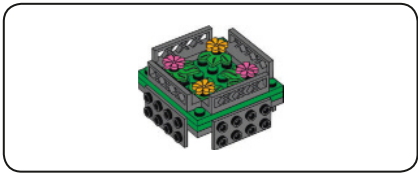


1x  
Medium azure

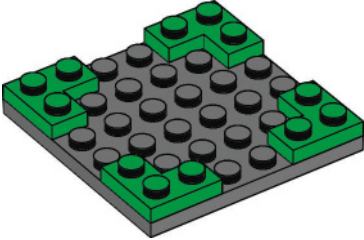
18



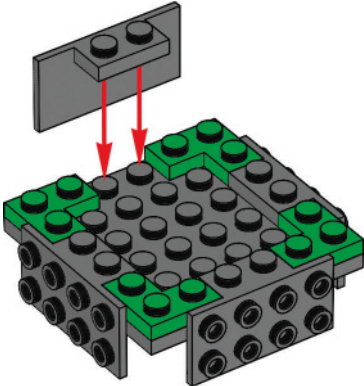
4x

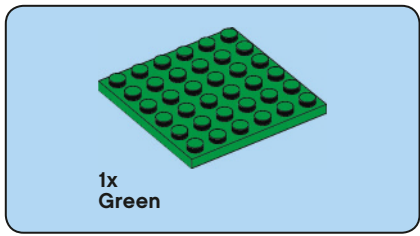


19

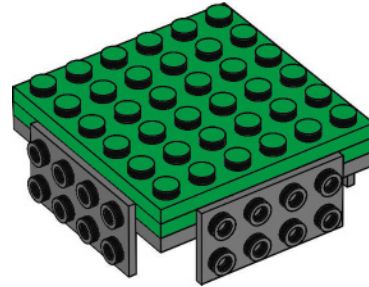


20

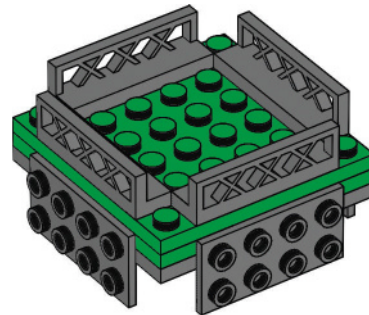




21



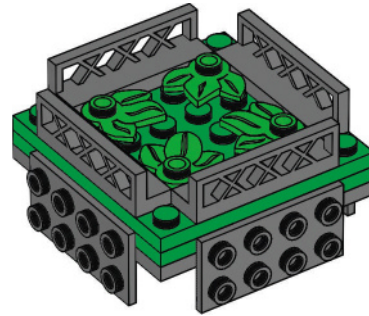
22





4x  
Bright green

23

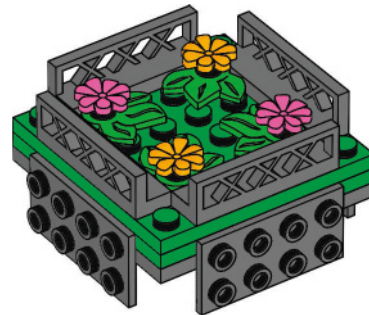


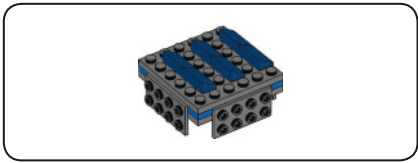
2x  
Bright purple



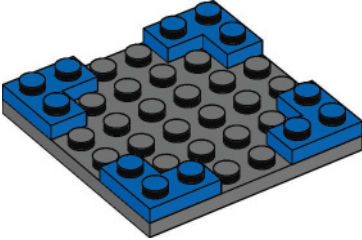
2x  
Bright orange

24

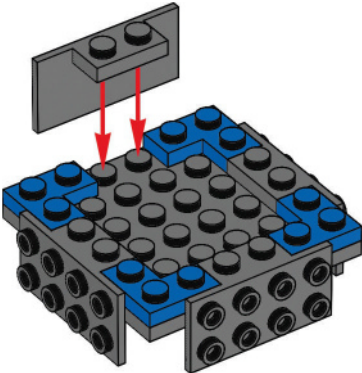




25

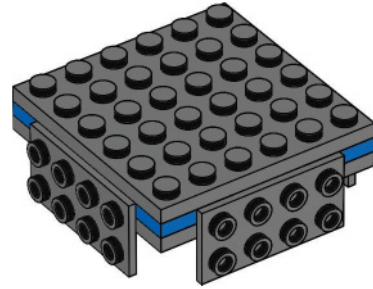


26

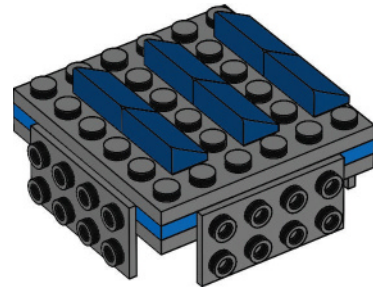


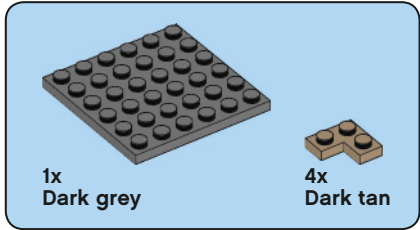
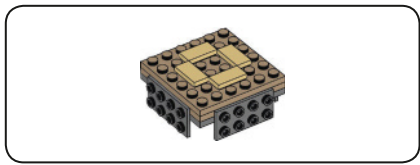


27

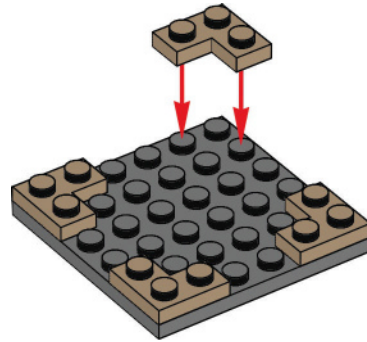


28

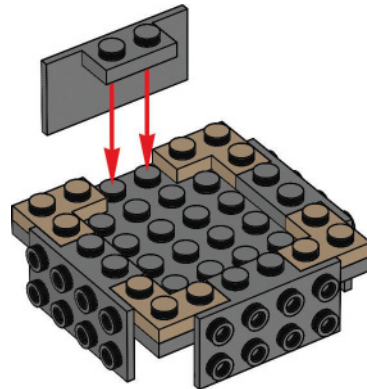




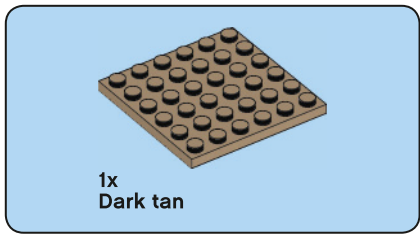
29



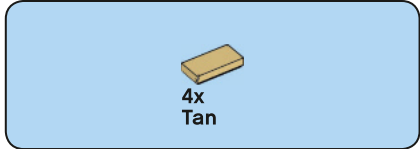
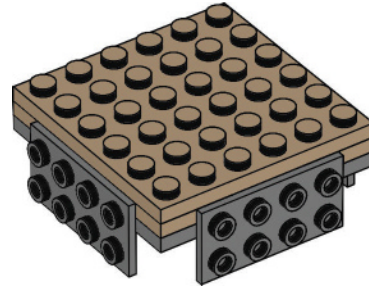
30



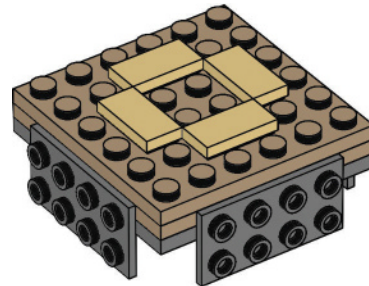




31



32



BAG 7

LEGO and the LEGO logo are trademarks of the/son des marques de commerce du/son marcas registradas de LEGO Group. ©2019 The LEGO Group. All rights reserved/Tous droits réservés/Todos los derechos reservados.

FIRST® is a registered trademark of For Inspiration and Recognition of Science and Technology (FIRST). LEGO® is a registered trademark of the LEGO Group. FIRST® LEGO® League and CITY SHAPER™ are jointly held trademarks of FIRST and the LEGO Group. ©2019 FIRST and the LEGO Group. All rights reserved.